



HOSHIZAKI

Parts List

SELF-CONTAINED CUBER

Model
IM-200BAB



hoshizakiamerica.com

Number: M076-4254
Issued: 11-16-2018
Revised: 5-2022

Auxiliary Codes

IM-200BAB	G-1	March 2017
	H-0	January 2018
	H-1	July 2018
	H-2	December 2018

Auxiliary Code Breakdown

The auxiliary code is the first two characters in the serial number. The first character indicates the year. Years progress or regress in alphabetical order. The series runs from "A" through "V" and the letters "I" and "O" are skipped. The second character indicates significant part changes within a year. Base is "0" and this number advances for each change. In cases where there is a letter in parentheses, this designates the month. This is the last character in the serial number. The series runs from "(A)" through "(M)" and the letter "(I)" is skipped. This designation is only included when identifying a parts change within an auxiliary code.

Note About Ordering Parts

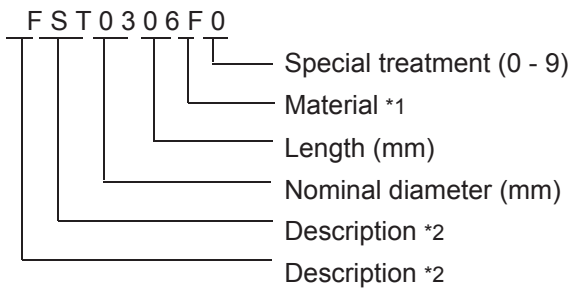
Most assemblies cannot be ordered as complete units; parts in the assemblies generally must be ordered separately.

MARKS LOCATED UNDER THE AUXILIARY CODE

- = Part deleted.
- x = Part deleted and replaced by "o" part.
- o = New part in place of "x" part.

FASTENER PART NUMBER

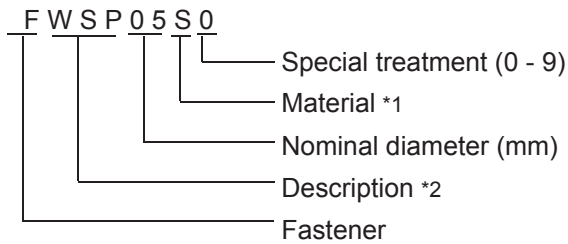
SCREWS



*1

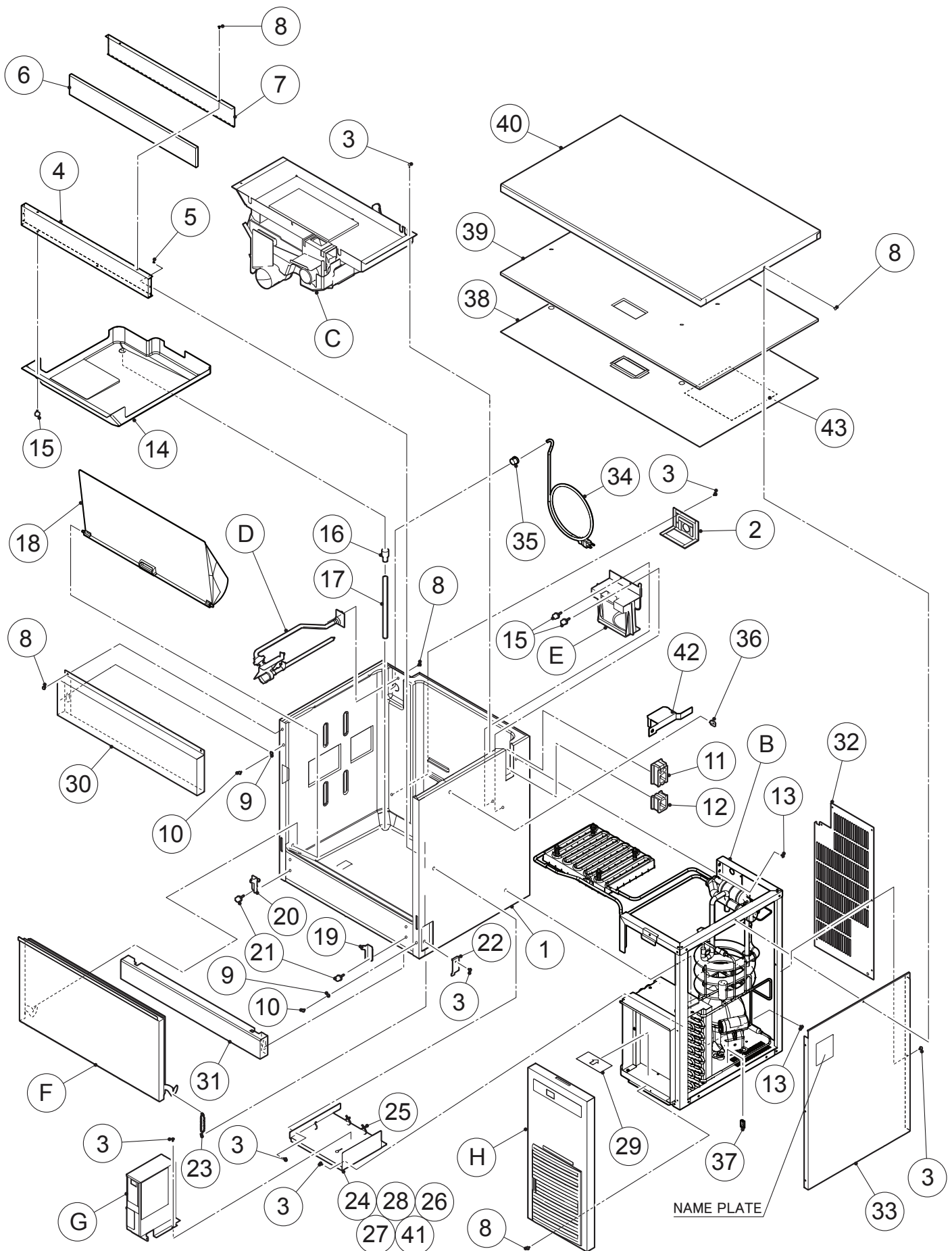
- F: Steel
- S: Austenitic stainless steel
- M: Martensitic stainless steel
- B: Copper alloy
- P: Polycarbonate
- N: Polyamide
- V: PVC
- A: ABS
- X: Polyacetal
- L: Aluminum

NUTS & WASHERS



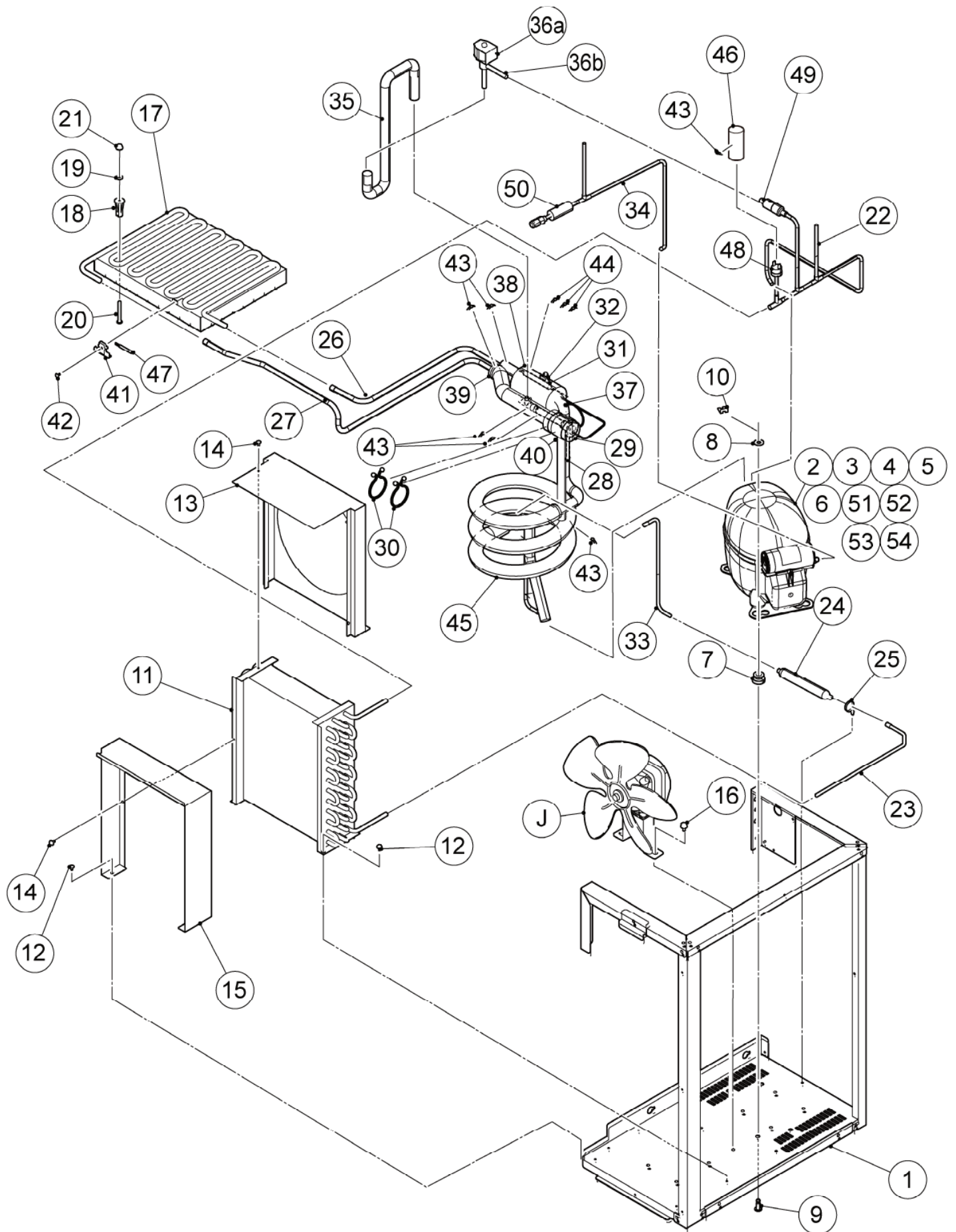
*2

- First letter
- S: Machine screw
- T: Tapping screw
- M: Wood screw
- B: Bolt
- W: Washer
- N: Nut



HA

MODEL: IM-200BAB								
TITLE: A. ICE CUBER ASSY								
INDEX NO.	DESCRIPTION	MATERIAL OR MODEL NUMBER	PART NUMBER	REQ'D NUMBER				
				G-1 H-0	H-1	H-2		
B	REFRIGERATION CIRCUIT		125334A01	1	1	1		
C	MECHANISM ASSY		268084A01	1	1	1		
D	WATER CIRCUIT		271737A01	1	1	1		
E	BIN SW ASSY		381958A01	1	1	1		
F	DOOR ASSY		3Y5436A02	1	1	1		
G	CONTROL BOX ASSY		271850A01	1	1	1		
H	FRONT COVER(R) ASSY		381967A01	1	1	1		
Q	ACCESSORIES		A03394-01	1	1	1		
1	BODY		123760G01	1	1	1		
2	REAR GUIDE		481319G01	1	1	1		
3	Flange Bolt (C-TITE)		FTR0408M0	27	27	27		
4	FRONT FRAME		3Y6326M01	1	1	1		
5	RIVET	SSD42SSBS(t1.6~3.2)	7170-0002	4	4	4		
6	INSULATION-FRONT FRAME		4Y7624P01	1	1	1		
7	FRONT FRAME(B)		381950M01	1	1	1		
8	S-TITE TRUSS HEAD SCREW		FTS0408M0	7	7	7		
9	TAPER COLLAR		4H0171-01	4	4	4		
10	RIVET	SSD42BS	7170-0001	4	4	4		
11	GROMMET(A)		381951R01	1	1	1		
12	GROMMET(B)		381952R01	1	1	1		
13	TAPPING SCREW - HEX		442040-01	4	4	4		
14	DRAIN PAN		2H6143G01	1	1	1		
15	THUMBSCREW		415949G10	4	4	4		
16	DRAIN TUBE		4H2585-01	1	1	1		
17	DRAIN PIPE		4Y7493P03	1	1	1		
18	SLOPE		3H2978G01	1	1	1		
19	HINGE (RIGHT)		4H2583-01	1	1	1		
20	HINGE (LEFT)		4H2584-01	1	1	1		
21	HEX HEAD BOLT (SPRING WASHER AND FLAT WASHER)		FBK0616S0	4	4	4		
22	BRACKET-SPRING		4Y7620M01	1	1	1		
23	SPRING		4X5209-01	1	1	1		
24	PLATE-FRAME		271726M01	1	1	1		
25	WIRE RETAINER		427902-05	3	3	3		



HA

MODEL: IM-200BAB								
TITLE: B. REFRIGERATION ASSY								
INDEX NO.	DESCRIPTION	MATERIAL OR MODEL NUMBER	PART NUMBER	REQ'D NUMBER				
				G-1 H-0	H-1	H-2		
J	FAN MOTOR ASSY		3Y6055A02	1	1	1		
1	UNIT FRAME G		271734G01	1	1	1		
2	COMPRESSOR	NEU6210GK 958IE71	P04395-01	1	1	1		
3	STARTING RELAY	NEU6210GK ACCESSORIES	P04392-01	1	1	1		
4	TERMINAL COVER	NEU6210GK ACCESSORIES	P02814-01	1	1	1		
5	STARTING CAPACITOR	NEU6210GK ACCESSORIES	P04393-01	1	1	1		
6	OVERLOAD PROTECTOR	NEU6210GK ACCESSORIES	P03997-01	1	1	1		
7	GROMMET	NEU6210GK ACCESSORIES	P02608-01	4	4	4		
8	WASHER	NEU6210GK ACCESSORIES	P02606-01	3	3	3		
9	PIN	NEU6210GK ACCESSORIES	P02605-01	3	3	3		
10	CLAMP	NEU6210GK ACCESSORIES	P02607-01	3	3	3		
11	CONDENSER	4x12,W230mm,FPI=10	P03374-01	1	1	1		
12	FLANGE BOLT(C-TITE)		FTR0408M0	8	8	8		
13	SHROUD(A)		2X0938M01	1	1	1		
14	T2 TRUSS HEAD SCREW		FT20408F0	6	6	6		
15	SHROUD(B)		3Y6296M01	1	1	1		
16	HEX HEAD BOLT (SPRING WASHER AND FLAT WASHER)		FBK0612S0	2	2	2		
17	EVAPORATOR/CUT		3Y9249G01	1	1	1		
18	COLLAR		3H3879-01	4	4	4		
19	WASHER		4H0777-01	4	4	4		
20	SCREW-EVAPORATOR		4Y4922M02	4	4	4		
21	FLANGE NUT		FNHF06S0	4	4	4		
22	COPPER TUBE(A)-HIGH SIDE		271727G01	1	1	1		
23	COPPER TUBE(B)-HIGH SIDE		481290M01	1	1	1		
24	DRIER	DY-15QHD-13	458776-01	1	1	1		
25	PUSH MOUNT TIE		436156-01	1	1	1		
26	COPPER TUBE(C)-LOW SIDE		381918M01	1	1	1		
27	COPPER TUBE(D)-LOW SIDE		381919G01	1	1	1		

