



TEL 305.625.2451

# ATLAS METAL

1135 N.W. 159th DRIVE, MIAMI, FLORIDA 33169

TOLL FREE 800.762.7565

FAX 305.623.0475

## WCPT-3 and WCPT-4

### Service and Installation Manual

Please read this manual completely before attempting to install or operate this equipment!  
Notify carrier of damage! Inspect all components immediately. See page 1.



Drop-in Display Cases



Effective Date: 03/2024  
**IMPORTANT INFORMATION**  
READ BEFORE USE

# CONTENT

---

RECEIVING & INSPECTING EQUIPMENT.....	1
SERIAL AND MODEL# LOCATION.....	1
SPECIFICATIONS, FEATURES, AND ACCESSORIES.....	2-3
INSTALLATION, OPERATION AND S/S MAINTENANCE.....	4
SLIDIG DOOR MAINTENANCE AND REMOVAL/REINSTALL.....	5
SHELF INSTALLATION, IMPORTANT OPERATION AND PRESSURE CONTROL SETTINGS.....	6
ELECTRICAL CHARACTERISTICS AND CUT-OUT REQUIREMENTS.....	7
PART LISTS.....	8
REMOTE INSTALLATION.....	9
TROUBLESHOOTING.....	10
WCPT ELECTRICAL SCHEMATIC.....	11
LIMITED WARRANTY.....	12
WARRANTY INFORMATION.....	13

## RECEIVING AND INSPECTING THE EQUIPMENT

---

1. VISUALLY INSPECT THE SHIPPING CRATE. DAMAGE SHOULD BE NOTED AND REPORTED TO THE DELIVERING CARRIER.
2. IF DAMAGED, OPEN AND INSPECT CONTENTS WITH CARRIER.
3. IF CRATE IS NOT DAMAGED AND THERE IS CONCELED DAMAGE TO THE EQUIPMENT, NOTIFY THE CARRIER. NOTIFICATIONS MUST BE MADE VERBALLY AND IN WRITING.
4. REQUEST AN INPECTION BY THE SHIPPING COMPANY FOR THE DAMAGED EQUIPMENT WITHING 10 DAYS FROM RECEIPT OF THE EQUIPMENT.
5. FREIGHT CARRIERS CAN SUPPLY THE NECESSARY FORMS ON REQUEST.
6. SAVE ALL CRATING MATERIALS UNTIL INSPECTION HAS BEEN MADE OR WAIVED.

## SERIAL NUMBER LOCATION

---

THE SERIAL AND MODEL# CAN BE FOUND ON THE OPERATORS CONTROL PANEL. WHEN CALLING ATLAS FOR PARTS AND SERVICE ALWAYS HAVE THIS INFORMATION AVAILABLE.

SERIAL# \_\_\_\_\_  
MODEL# \_\_\_\_\_  
INSTALLATION DATE# \_\_\_\_\_



# ATLAS METAL

1135 N.W. 159th DRIVE, MIAMI, FLORIDA 33169

TEL 305.625.2451

TOLL FREE 800.762.7565

FAX 305.623.0475

WWW.ATLASFOODSERV.COM

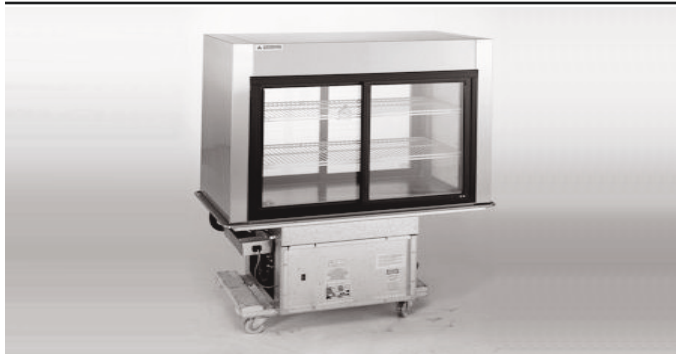
SALES@ATLASFOODSERV.COM

Project: \_\_\_\_\_

Item No.: \_\_\_\_\_

Quantity: \_\_\_\_\_

## DROP-IN SERVING EQUIPMENT



### DISPLAY CASE

Refrigerated,  
Pass-Through  
Self-Contained

- WCPT-3
- WCPT-4

#### SPECIFICATIONS

**TOP:** Constructed of 18 gauge, type 304 stainless steel, die stamped with a raised perimeter bead. The top is solid, full-length, to support the refrigerated display case. There shall be a solid vinyl gasket under the beaded edge to form a seal to the counter top, thus preventing seepage or marring of the counter top.

**DISPLAY CASE:** Double wall constructed of type 304 stainless steel - 20 gauge, both interior and exterior, and filled with 2" of foamed-in-place polyurethane insulation. Customer's side and operator's side are provided with a set of two (2) sliding, self-closing, thermo-pane, insulated glass doors. The doors are removable for ease of cleaning. The display case is provided with two (2) plastic coated wire shelves, adjustable on 1" increments, and two (2) sets of fluorescent light fixtures mounted behind plastic guards which are recessed into the side panels. The light fixtures are provided with a separate on/off switch. An internal thermometer is provided.

**REFRIGERATION SYSTEM:** The compressor housing shall be fabricated from 14 gauge galvanized and bolted to the base of the unit. A fully self-contained condensing unit is provided with a hermetically sealed compressor and a thermostat control. The system is also provided with a forced air evaporator, for even temperature throughout the display case, which drains into a condensate evaporator, pre-wired in the unit. The system is fully charged with CFC free refrigerant and ready to operate.

**NOTE:** Proper ventilation must be provided in counter.

**ELECTRICAL:** The unit will be wired for 15 amps., 120 volt, single phase operation with an on/off thermostat switch and pilot light. A 6' long, 3-wire cord and plug (NEMA 5-15P) will be provided.

*Specifications subject to change without notice.*

#### STANDARD FEATURES

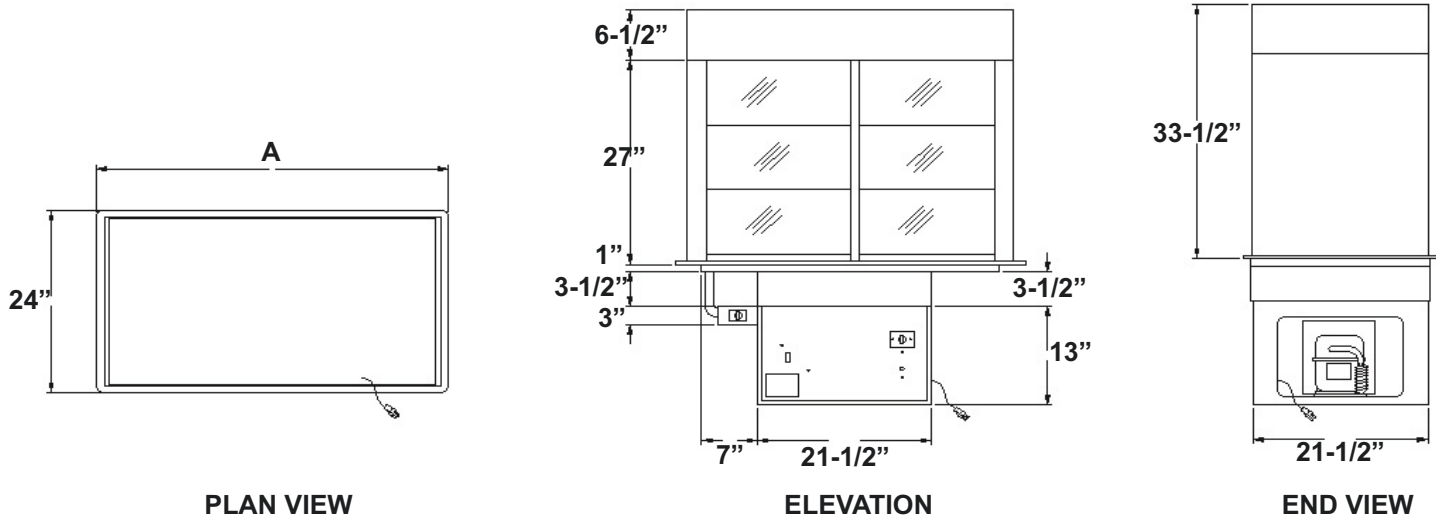
- Large, lighted display area with adjustable shelves - it's the ideal merchandiser
- Sliding glass doors on customer's and operator's side, making loading and self-service move quickly
- Forced air evaporator blower system for maximum efficiency in cooling
- Factory applied gasket - makes installation a snap and seals units to the counter top, thus eliminating seepage
- 1-Year Parts & Labor Warranty
- UL Listed

#### ACCESSORIES

- **5YW** - 5-Year Compressor Warranty
- Door Locking Device (2 required)
- Extra Shelf
- Plastic Laminate Trim
- Sliding Doors with Reflective Tempered Vision Panel (bronze or gray)
- Solid (1) piece Tempered Reflective Vision Panel (bronze or gray)
- Solid Stainless Steel Back
- **RS** - Remote on/off switch for counter mounting
- **RDVE** - Rear Drain Valve Extension
- \* **220 Volt - 50 Cycle** Compressor

\*Please see Operation & Installation Manual for ALL operation and maintenance details.

\* Units with these accessories are not currently UL listed.



MODEL	"A"	ELECTRICAL CHARACTERISTICS	CUT-OUT REQUIRED (W X L)	SHIP WT. (LBS.)	CUBIC FEET
WCPT-3	43-1/2 (110.5cm)	11.0 amps. - 120V 1/2 HP	22-1/4" X 41-3/4" (56.5 X 106cm)	443 (200.9kg)	12 CU FT.
WCPT-4	57-1/4 (145.4cm)	11.0 amps. - 120V 1/2 HP	22-1/4" X 55-1/2" (56.5 X 141cm)	520 (247.7kg)	16 CU FT.

# REFRIGERATED PASS THROUGH DISPLAY CASE

## WCPT SERIES

---

---

### INSTALLATION

Provide the correct counter cut-out opening (see chart below) and drop unit in. The vinyl gasket assures complete seating. A non-toxic silicone sealer may be used between the gasket and counter top (not required).

MODEL	CUT-OUT REQUIRED
WCPT-3	22 1/4" X 41 3/4"
WCPT-4	22 1/4" X 55 1/2"

The unit should be level for draining purposes. When installing unit in counter, it is recommended that the operator side of the counter be completely open for air circulation. When this is not possible, such as in an island counter, it is recommended that two grill openings are provided approximately 18" x 18" of free air for intake and exhaust at the opposite ends of counter. Also the counter must have an opening of approximately 24" x 14" to access the compressor for maintenance. Then the refrigeration components can be reached by removing six (6) screws from control and rear panels.

The unit is supplied with a power cord and NEMA plug. Refer to data plate on compressor housing for the amperage and voltage information. Use a licensed electrician when installing power source.

For cleaning and maintenance of inside top evaporator coil a qualified refrigeration technician is recommended.

---

---

### OPERATION

The unit is ready to be operated as soon as it is plugged in and switched on. The unit has been pre-tested for proper operation from 35 to 40 degrees.

---

---

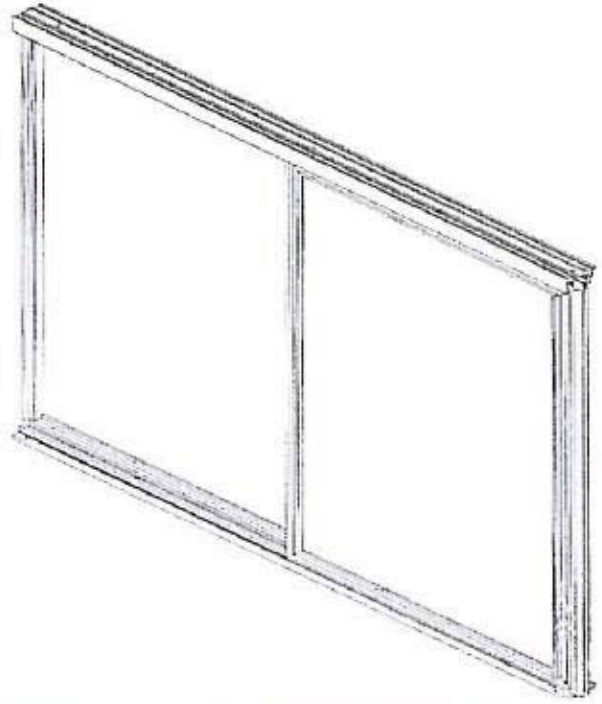
### MAINTENANCE

**NEVER** CLEAN THE UNIT WITH A CHLORIDE BASED PRODUCT. CHLORIDES OR IMPROPER CLEANING COULD SCAR, MARK AND/OR CORRODE METAL. **DO NOT** USE STEEL WOOL OR ABRASIVE PRODUCTS. TO CLEAN USE SOAPY WARM WATER, RINSE THOROUGHLY TO REMOVE ALL RESIDUES. CLEAN CONDENSER COIL REGULARLY.

**FAILURE TO MEET THESE CONDITIONS WILL VOID WARRANTY.**

## SLIDING DOOR MAINTENANCE

ATLAS WCPT DISPLAY CASES ARE PROVIDED WITH EASY REMOVABLE SLIDING DOORS. CLEANING OF THE DOOR GASKETS AND DOOR FRAME TRACKS WITH MILD SOAP AND WATER WILL INSURE SLIDING DOOR ASSEMBLY TO OPERATE PROPERLY.



**CAUTION - NEVER USE FULL STRENGTH CLEANING PRODUCTS ON GASKETS AS THIS WILL CAUSE THEM TO BECOME BRITTLE AND CRACK VOIDING YOUR WARRANTIES.**

## SLIDING DOOR REMOVAL AND REINSTALL

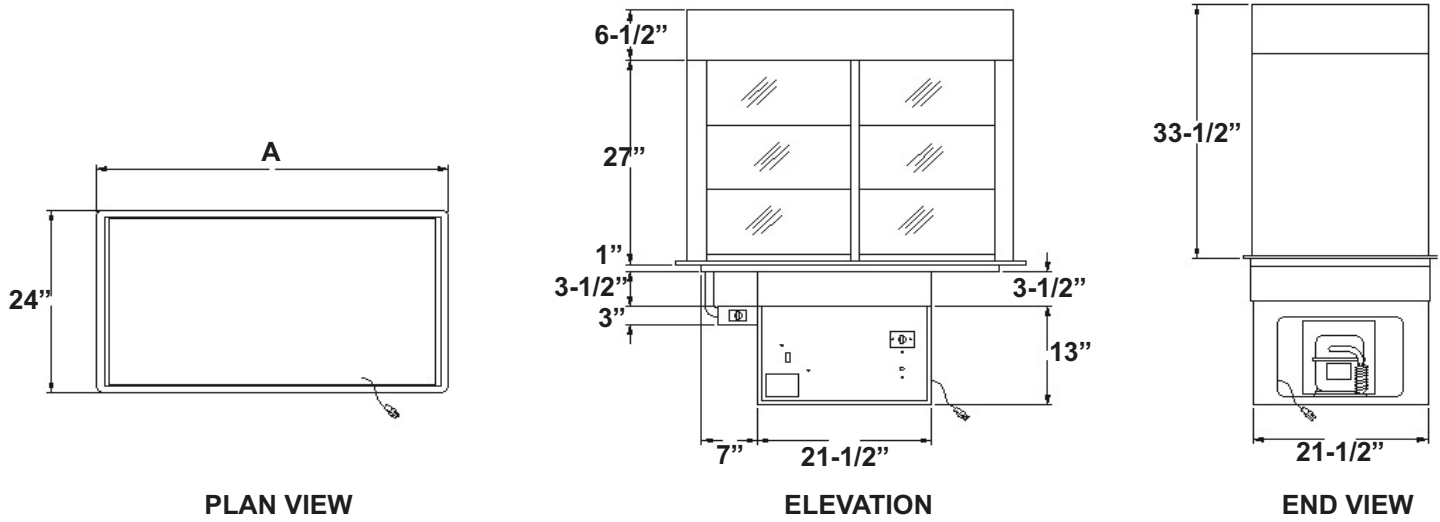
### SLIDING DOOR REMOVAL

OPEN THE OUTSIDE DOOR HALF WAY. FIRMLY PLACE FINGER ON DOOR RETURN SPRING OPERATOR AT THE TOP AND MOVE THE DOOR SLIGHTLY CLEARING THE OPERATOR FROM THE NOTCH. GRASP BOTH SIDES OF THE DOOR LIFTING UP HIGHER. TILT THE DOOR BOTTOM OUT OF THE BOTTOM TRACK, LOWER DOOR AND AWAY GENTLY TO ALLOWING THE RETURN SPRING TO CLOSE.

REPEAT THE INSIDE DOOR WITH THE SAME PROCEDURE.

### SLIDING DOOR REINSTALL

FIRST INSTALL THE DOOR MARKED INSIDE, GRASP FIRMLY ON BOTH SIDES LIFTING THE DOOR NOTCH INTO THE DOOR RETURN SPRING OPERATOR AT THE TOP TRACK AND LIFT UPWARDS UNTIL THE DOOR STOPS AND SET THE BOTTOM OF THE DOOR INTO THE BOTTOM TRACK. REPEAT PROCEDURE FOR THE OUTSIDE DOOR.



MODEL	"A"	ELECTRICAL CHARACTERISTICS	CUT-OUT REQUIRED (W X L)	SHIP WT. (LBS.)	CUBIC FEET
WCPT-3	43-1/2 (110.5cm)	11.0 amps. - 120V 1/2 HP	22-1/4" X 41-3/4" (56.5 X 106cm)	443 (200.9kg)	12 CU FT.
WCPT-4	57-1/4 (145.4cm)	11.0 amps. - 120V 1/2 HP	22-1/4" X 55-1/2" (56.5 X 141cm)	520 (247.7kg)	16 CU FT.

## SHELF INSTALLATION

ATLAS DISPLAY CASES COME STANDARD WITH TWO COATED WIRE SHELVES THAT ARE ADJUSTABLE IN 1/2" INCREMENTS.

\*ACCESSORY SHELVING MAY BE PROVIDED UPON REQUEST BRINGING THE TOTAL LIMIT TO THREE SHELVES.

CAUTION - MAXIMUM WEIGHT LIMIT PER SHELF AND S/S BOTTOM IS 75 POUNDS EACH. OVERLOADING CAN DAMAGE EQUIPMENT AND CAUSE BODILY INJURY.

## IMPORTANT OPERATION INFORMATION

\* DISPLAY CASE REQUIRE 3" PRODUCT CLEARANCE BELOW THE FAN HOUSING AIR INLET SCREENS TO INSURE PROPER DISPLAY TEMPERATURES.

\* INTENDED FOR CUSTOMER SERVICE IN A ROOM AMBIENT NOT TO EXCEED 75 DEGREES FAHRENHEIT.

\* DISPLAY CASE INTENDED FOR PREPACKED PRODUCTS ONLY

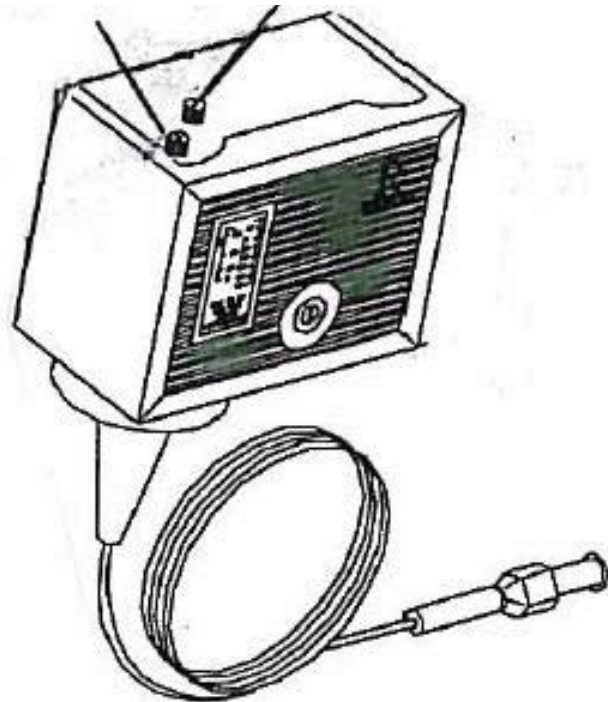
## PRESSURE CONTROL SETTINGS

LOW PRESSURE CUT IN AT 30 PSI.

LOW PRESSURE CUT OUT AT 15 PSI.

DIFFERENTIAL SETTING OF 15 PSI.

DIFFERENTIAL CUT-IN





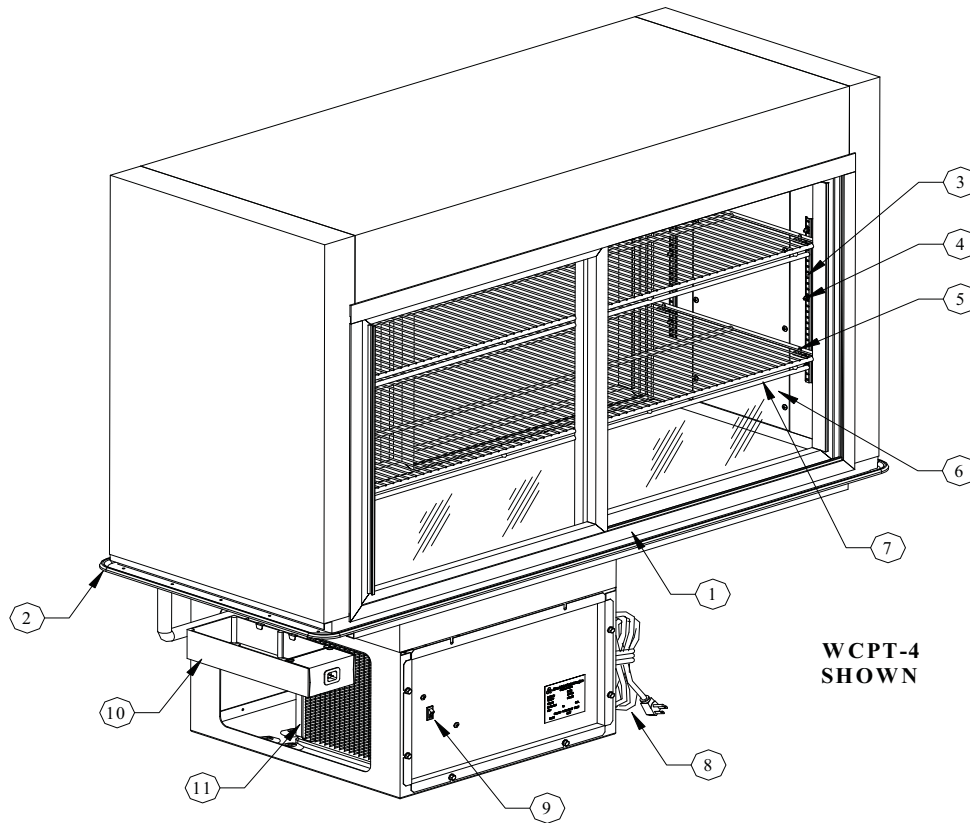


# ATLAS METAL

Subsidiary of Mercury Aircraft, Inc.

1135 N.W. 159th DR., MIAMI, FL 33169  
 PHONE (305) 625-2451, (800) 762-7565, FAX (305) 623-0475, E-mail: [sales@atlasfoodserv.com](mailto:sales@atlasfoodserv.com)

## PARTS LIST REFRIGERATED PASS THROUGH DISPLAY CASE WCPT SERIES



ITEM NUMBER	PART NUMBER	DESCRIPTION
1	27-15	Door Set #3
	27-20	Door Set #4
2	7002-0+Model #	Vinyl Bead Gasket
3	6151-5	Pilaster
4	6151-2	Thumbscrew
5	6151-1	Snap-In Shelf Supports
6	81-7990	Plexiglass Light Cover (White)
7	27-17	Wire Shelf #3
	27-16	Wire Shelf #4
8	1003-0	Power Cord
9	1069-1	Compressor Switch
10	2060-1	Condensing Water Evaporator
11	1800-4212	1/2 H.P. Compressor
12	2013-0	Fan Motor (Not Shown)
13	S81441-0	Fan Guard (Not Shown)
14	2014-5	Fan Blade (Not Shown)
15	600010	Expansion Valve

ITEM NUMBER	PART NUMBER	DESCRIPTION
16	2119-0	Evaporator Coil #3 (Not Shown)
		Evaporator Coil #4 (Not Shown)
17	113-10	Thermometer (Not Shown)
18	7019-2	Bulb Holder (Not Shown)
19	27-125	Light Switch (Not Shown)
20	1034-1	Ballast (Not Shown)
21	60-6056	Door Lock (Optional)
22	27-108	Mirror Door #3 (Optional)
23	27-107	Mirror Door #4 (Optional)
24	27-123	Door Spring #3 (Not Shown)
	27-122	Door Spring #4 (Not Shown)
	27-124	Door Seal (Not Shown)
25	22-2040	Low Pressure Control (Not Shown)
26	22-2036	Bracket (Not Shown)
27	2024	Drier (Not Shown)
	680-63	Door Roller
	1149	Fan Motor Wire Harness



# ATLAS METAL

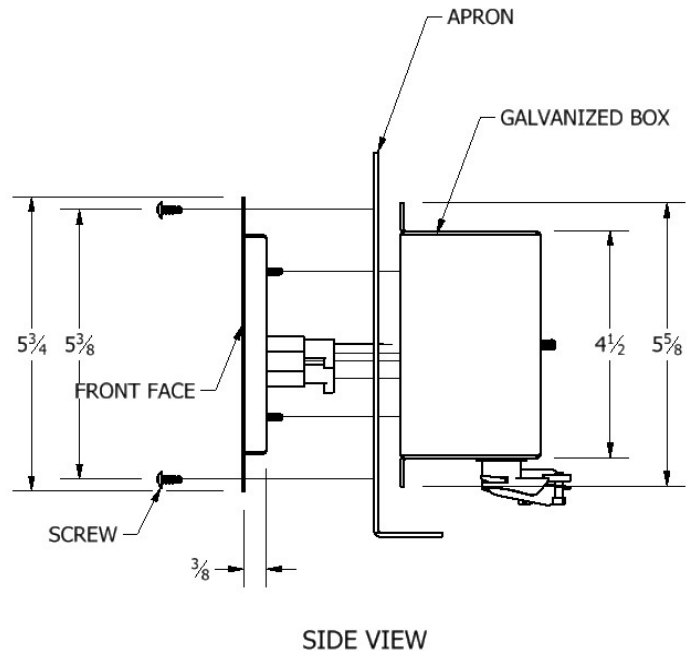
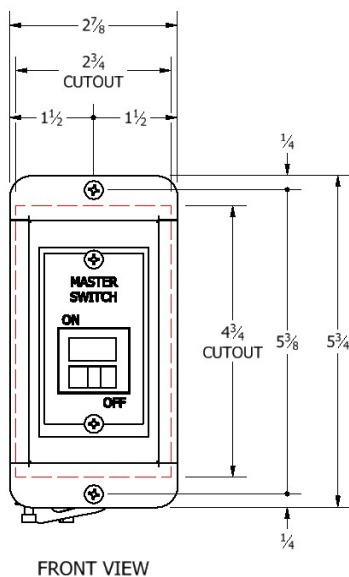
Subsidiary of Mercury Aircraft, Inc.

1135 N.W. 159th DR., MIAMI, FL 33169

PHONE (305) 625-2451, (800) 762-7565, FAX (305) 623-0475, E-mail: [sales@atlasfoodserv.com](mailto:sales@atlasfoodserv.com)

## COLD UNITS-REMOTE INSTALLATION

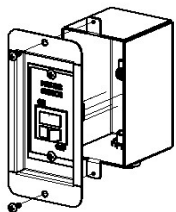
### Cut-Out dimensions



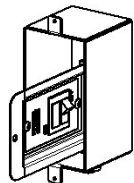
## INSTALLATION OF THE REMOTE CONTROL COLD UNITS

Provide the correct Cut-Out opening for the remote control panel (picture above).  
Remove control box from the bottom of the unit.

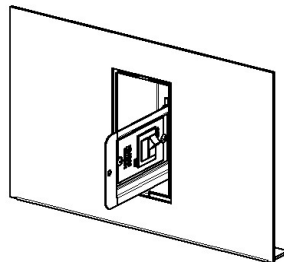
- 1) Remove screws from front of control panel.
- 2) Placed control panel inside of the box.
- 3) Mount the galvanized box behind the apron.
- 4) Mount S/S front plate to the Cut-Out in apron.
- 5) Add the screws to the front panel.



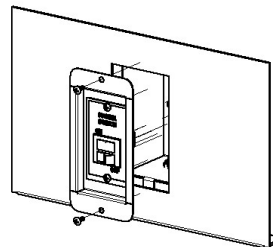
STEP-1 VIEW



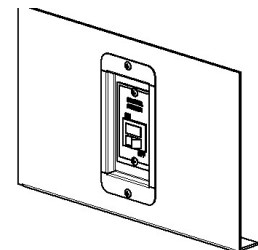
STEP-2 VIEW



STEP-3 VIEW



STEP-4 VIEW



STEP-5 VIEW

The unit is ready to be connected to the electrical receptacle. Refer to the data plate on the control panel for the amperage and voltage information. Use a licensed electrician when installing power source.



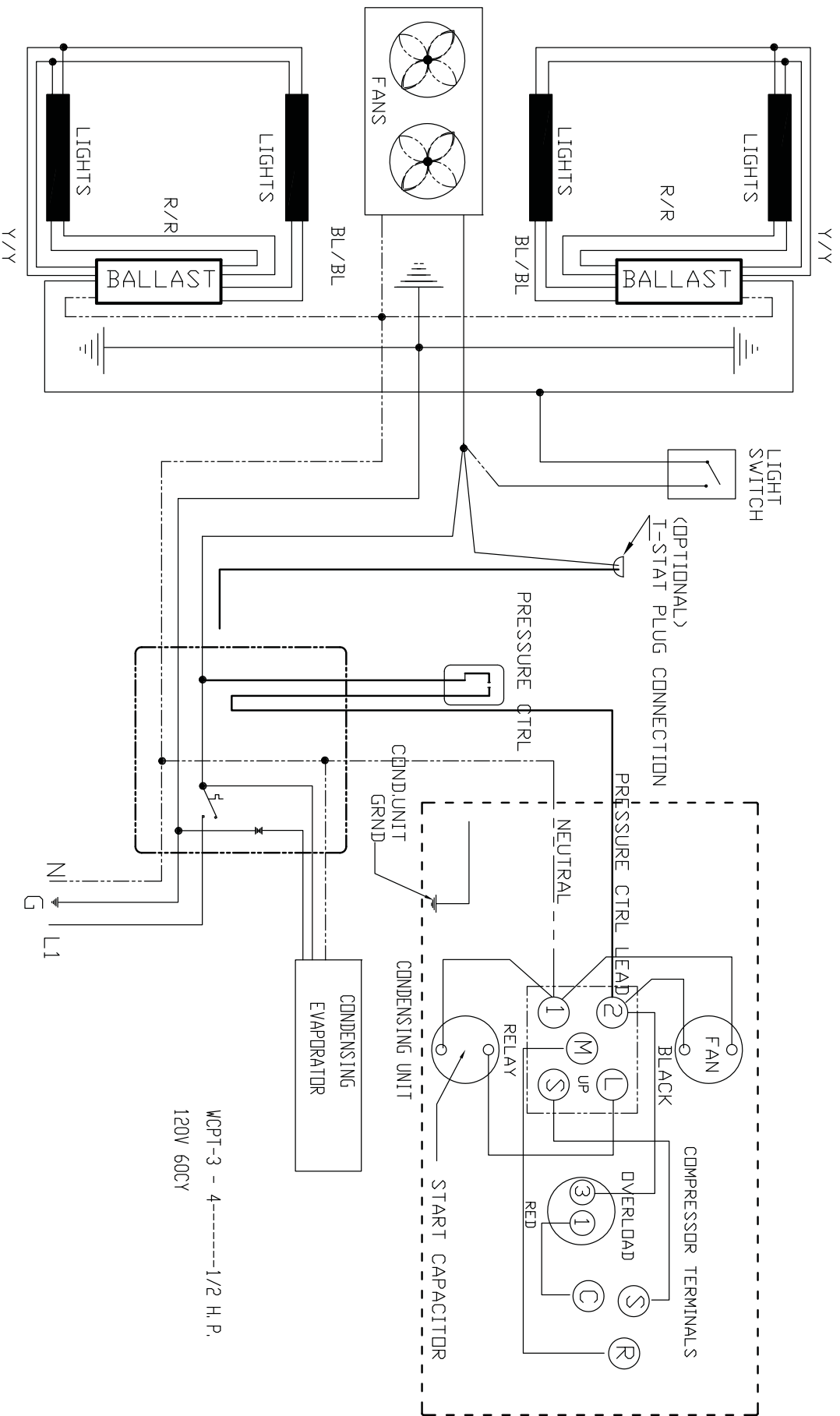
# ATLAS METAL

Subsidiary of Mercury Aircraft, Inc.

1135 N.W. 159th DR., MIAMI, FL 33169

PHONE (305) 625-2451, (800) 762-7565, FAX (305) 623-0475, E-mail: [sales@atlasfoodserv.com](mailto:sales@atlasfoodserv.com)

Refrigerated Drop-In Trouble Shooting Guide	
Symptom	Probable Cause
Unit will not run	Unit not plugged in. No power at receptacle. Thermostat and or switch not in the on position. Unit may be in a defrost cycle (if supplied) wait approximately 20 min. Call factory for service at 1-800-762-7565
Condenser runs but short cycles	Condenser coil dirty Inadequate ventilation. Call factory for service at 1-800-762-7565
Condenser runs constantly.	Condenser coil dirty. Inadequate ventilation. Unit installed in a hot location Call factory for service at 1-800-762-7565 <b>NOTE: WF series runs constantly.</b>
Food product not cold enough.	Food product must be chilled to 33-35 deg. when placed in unit. Air movement over food product. Food product not being stirred or rotated. Call factory for service at 1-800-762-7565



WCPT-3 - 4-----1/2 H.P.  
120V 60CY

These plans are the exclusive property of Atlas Metal Industries Inc. Any unauthorized use without written consent of Atlas Metal Industries Inc. is strictly prohibited.

ATLAS METAL INDUSTRIES, INC.  
1135 NW 159TH DRIVE  
MIAMI, FLORIDA 33169

REVISION CHANGES		DATE:		CUSTOMER:	
DATE:	DESCRIPTION:	09-04-08	09-04-08	WCPT-ELECTRICAL SCHEMATIC	WCPT-3-4
09-04-08	ON CAD	MHA	MHA	REFERENCE:	WCPT-3-4
				CHECKED BY:	NELSONNS
				DRAWING NO.:	WCPT-3-4 ELECT. SCHEMATIC
				SCALE	3/4"=1'-0"
				SHEET NO.	1 of 1



ATLAS METAL

## LIMITED WARRANTY

Atlas Metal Industries, Inc. warrants to the Purchaser of this product that the same shall be free from defects in the workmanship and material for a period of one year from the date of original installation of the equipment, but not to exceed eighteen (18) months after date of shipment from factory. During this period of time Atlas Metal Industries, Inc. will replace all defective parts and will pay for authorized replacement labor. Replacement and installation of such parts and labor shall be provided only upon prior written authority of Atlas Metal Industries, Inc.

**The Refrigeration** warranty is for a twenty (20) month time period and includes supplying the compressor at a no charge basis provided the damage to the compressor was not caused by the customer or end user. Authorized replacement labor will be paid for a period of one year from date of installation. Freight costs for defective unit to and from Atlas Metal Industries, Inc. are not included, and all defective parts must be returned to the factory freight prepaid for evaluation. **ALL WARRANTY LABOR MUST BE AUTHORIZED BY ATLAS METAL INDUSTRIES, INC. PRIOR TO THE ACTUAL WORK BEING DONE.** This warranty does not apply to any equipment or any part thereof, which has been subjected to shipping damage, improper voltage, alteration, abuse or misuses, and does not cover loss of food, other products, or damage to property due to mechanical or electrical malfunction.

**THERE ARE NO WARRANTIES WHICH EXTEND BEYOND THE DESCRIPTION OF THE FACE HEREOF. SELLER DISCLAIMS ANY IMPLIED WARRANTY OF MERCHANTABILITY OF THE GOODS OR THE FITNESS OF THE GOODS FOR ANY PURPOSE AND BUYER AGREES THAT THE GOODS ARE SOLD "AS IS."**



**A T L A S M E T A L**

## **WARRANTY INFORMATION**

**In order to have your invoice approved for payment by the factory, please note the following:**

---

**An authorization number must be obtained from the factory prior to performing any warranty service.**

---

**Atlas Metal will not approve excessive labor due to poor access to the unit being serviced. If design does not allow reasonable access, contact the factory.**

---

**All travel time that exceeds 100 miles round trip must be authorized by the factory.**

---

**Thank You:  
Warranty service Dept.**