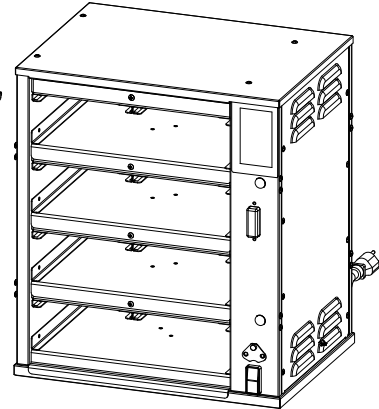
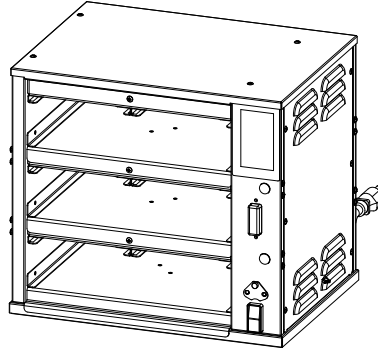
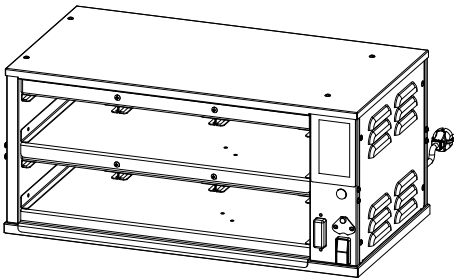
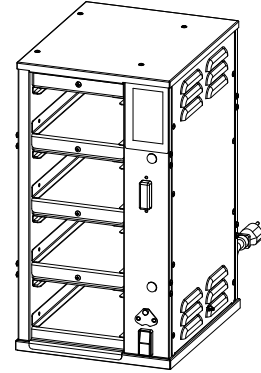
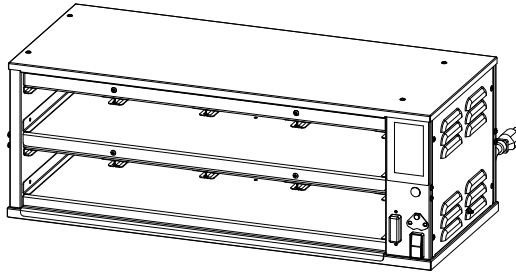
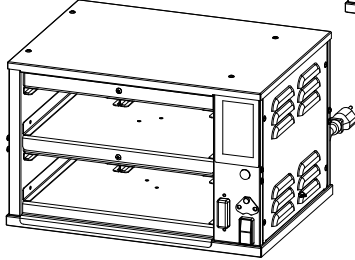




Your Solutions Partner

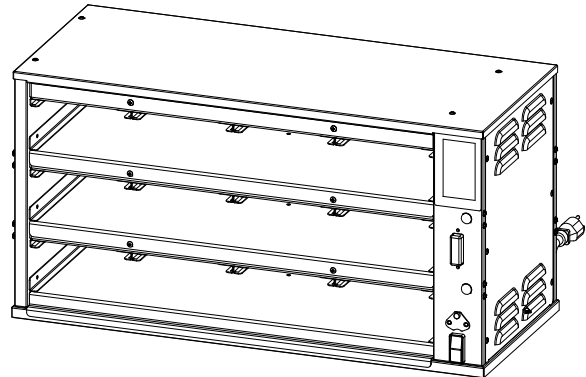
Illustrated Parts List



READY FLEX HOLDING UNIT

MODELS:

RFHU-2x2, RFHU-2x3, RFHU-2x4, RFHU-3x2,
RFHU-3x4, RFHU-4x1, RFHU-4x2



*This manual is Copyright © 2022 Duke Manufacturing Co. All rights reserved.
Reproduction without written permission is prohibited. Duke is a registered
trademark of the Duke Manufacturing Co.*

Duke Manufacturing Co.

2305 N. Broadway • St. Louis, MO 63102

800.735.3853 • 314.231.1130

Fax: 314-231-5074

www.dukemfg.com

RFHU MODEL NUMBER CONVERSION

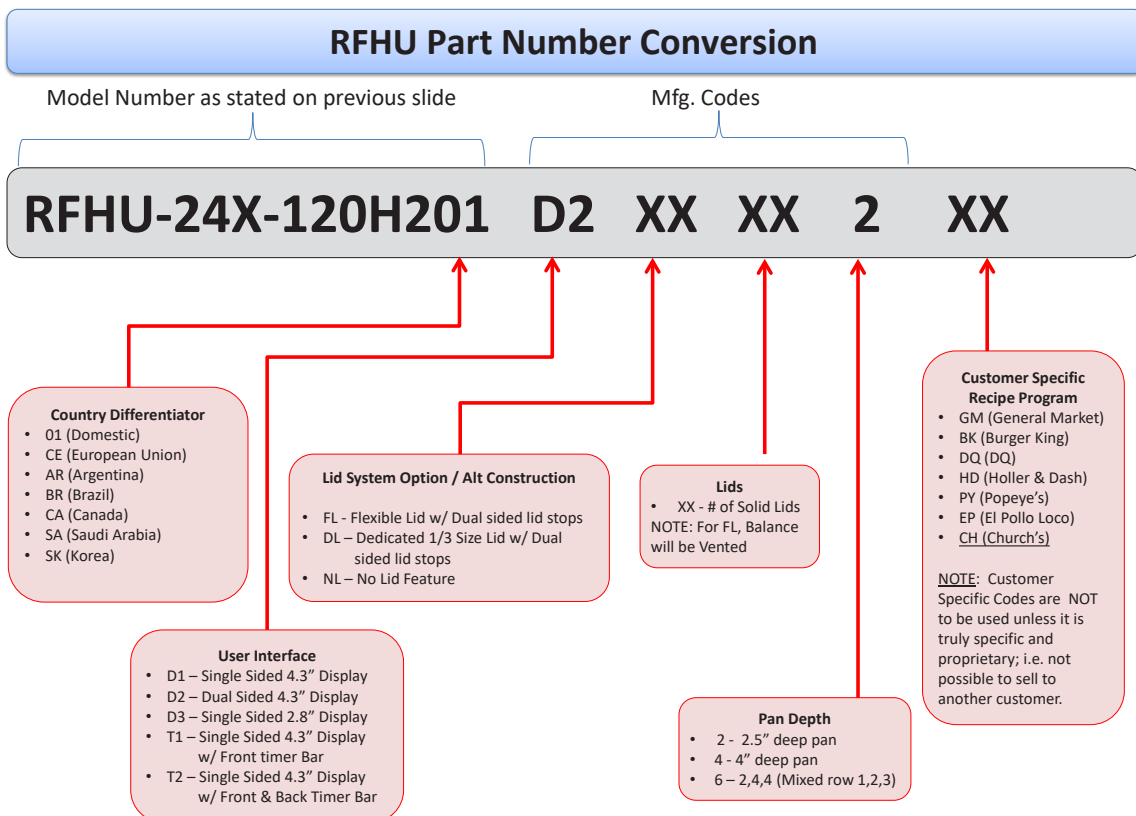
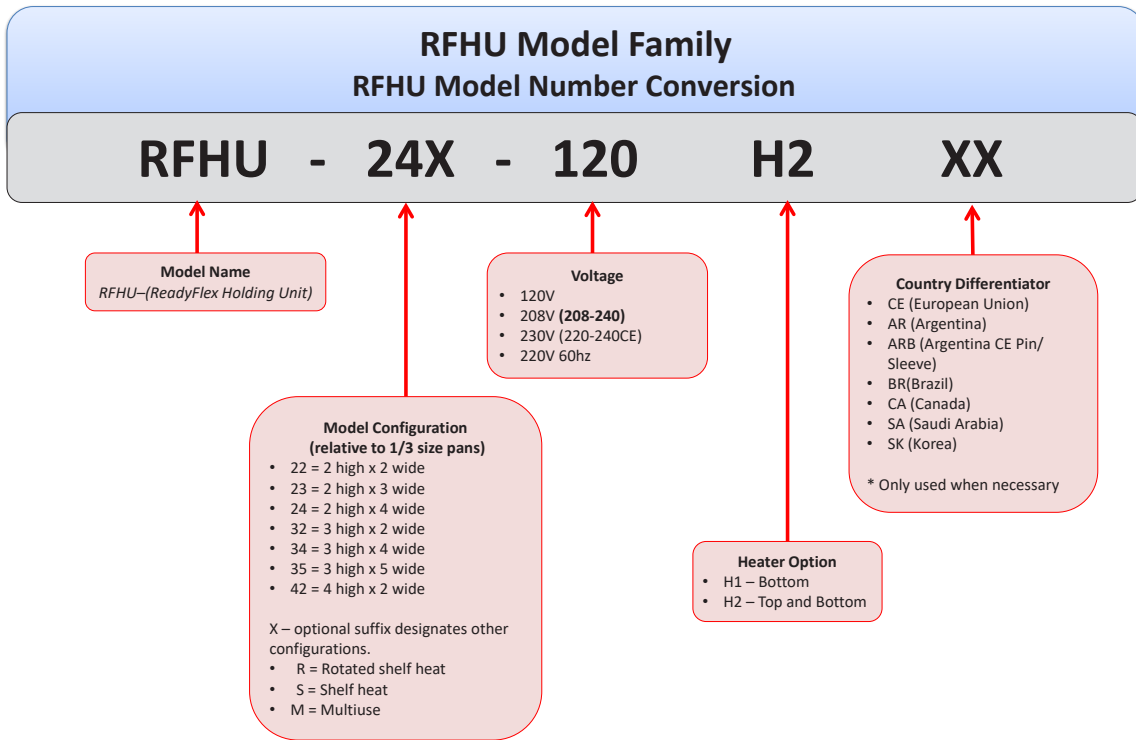
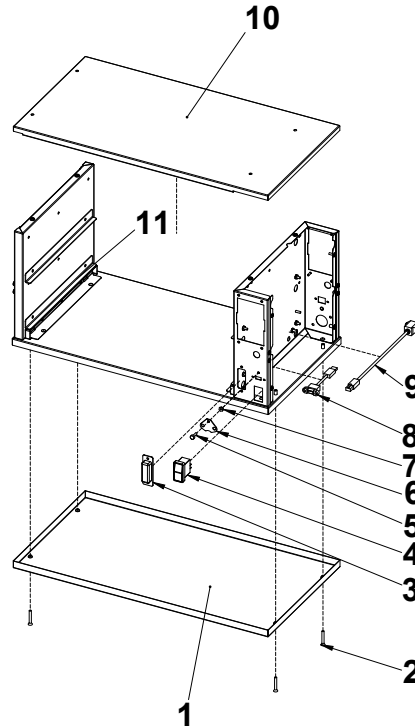


TABLE OF CONTENTS

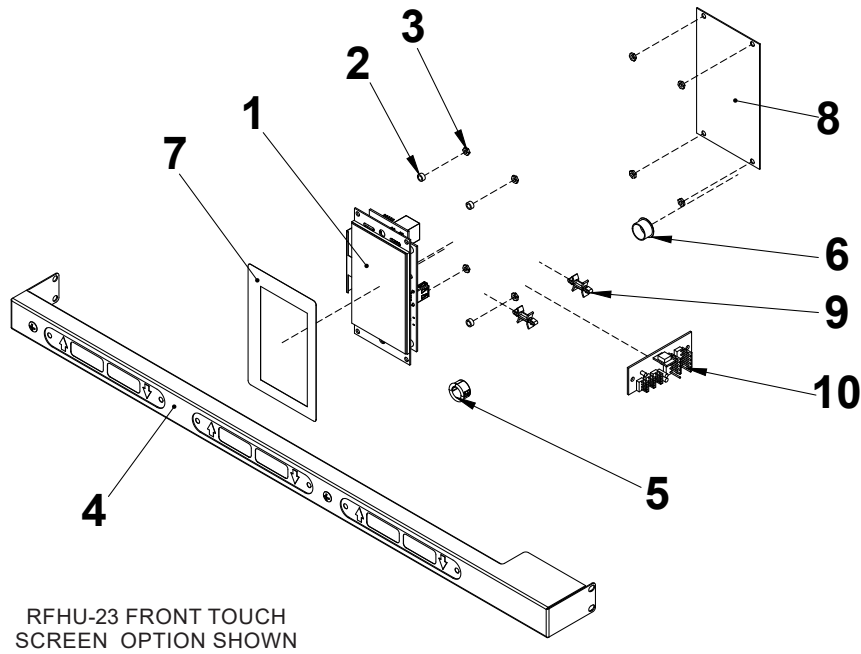
Table Of Contents	2
RFHU Graphics/Parts Listing	4-18
Wire Schematics.....	19-28
Notes	29

RFHU EXPLODED VIEW



Item	Part	Description	2X2		2X3		2X4		3X2		4X1		4X2		3X4	
			2.5IN	4IN	2.5IN	4IN	2.5IN	4IN	2.5IN	4IN	2.5IN	4IN	2.5IN	4IN	2.5IN	4IN
1	1092-0514	HHB, Base Pan 1w									1					
	1092-0181	HHB, Base Pan 2w	1						1				1			
	1092-0188	HHB, Base Pan 3w			1											
	1092-0408	HHB, Base Pan 4w					1									1
2	10280050	Screw,8-32x1-1/4fl Ph Ss Machine	4		4		4		4		4		4		4	
3	600565	Dual Band Wifi Antenna	1		1		1		1		1		1		1	
4	169629	Switch, Sealed Carling	1		1		1		1		1		1		1	
5	1059-0731	HS2, Thumb Screw, Knurled Hd	1		1		1		1		1		1		1	
6	1059-0679	HS2, Cover, USB	1		1		1		1		1		1		1	
7	1059-0732	HS2, Flex Head Lock Nut 8-32 (Ss)	1		1		1		1		1		1		1	
8	ELC0491	USB-A To Pnl Mt Usb-A 10"	1		1		1									
	ELC0492	Molded Usb-A Cable 16"		1		1		1								
	ELC0493	USB-A To Pnl Mt Usb-A 24"							1	1	1	1	1	1	1	1
9	ELC0489	Molded Ethernet Cable , 18"	1	1	1	1	1	1								
	ELC0490	Ethernet Cable 24"							1	1						
	ELC0468	Molded Ethernet Cable , 36"									1	1	1	1	1	1
10	1092-0516	HHB, Top 1w									1					
	1092-0148	HHB, Top 2w	1						1				1			
	1092-0189	HHB, Top 3w			1											
	1092-0244	HHB, Top 4w					1									1
11	1112-0092	POP Mu Asy Angle Btm H-Sink 200211 (Not Shown)	4		4		4		6		8		8		6	

RFHU EXPLODED VIEW



Item	Part	Description
1	600564K	4.3 Display W/Dmx Asy
2	225238	HS2, Spacer Cover Stop
3	167564	NUT, #6-32 Keps
4	1092-0543K	HHB Menu Bar 1w
	1092-0176K	HHB Menu Bar 2w
	1092-0201K	HHB Menu Bar 2w Top
	1092-0215K	HHB Menu Bar 2w Top Rear
	1092-0190K	HHB, Asy Menu Bar Lower 3w
	1059-1156K	HS2, Asy Menu Bar Lower 4w
	1092-0223K	RFHU, Asy Menu Bar 4w Top Front
	1092-0421K	RFHU, Asy Menu Bar 4w Top Rear
5	225173	Heyco, Snap Bushing Ocb-625
6	214487	Plug, Dome Dp 5/8" Blk #20615015-A030i
7	600566	RFHU, Mylar 4.3 Display
8	1092-0226	HHB Rear Tc Cvr Plt Weldment Asy
9	1059-0725	HS2, Menu Bar Pwr Brd Standoff
10	600569	ASY, Timer Bar 5v Power Pcb
11	ELC0460	Jumper I03 To Dmx 4 Row Hhb (Not Shown)
12	225219	Jumper 5v Pwr In-Line Short (Not Shown)
13	ELC0461	Jumper Io3 To Io3 (Not Shown)

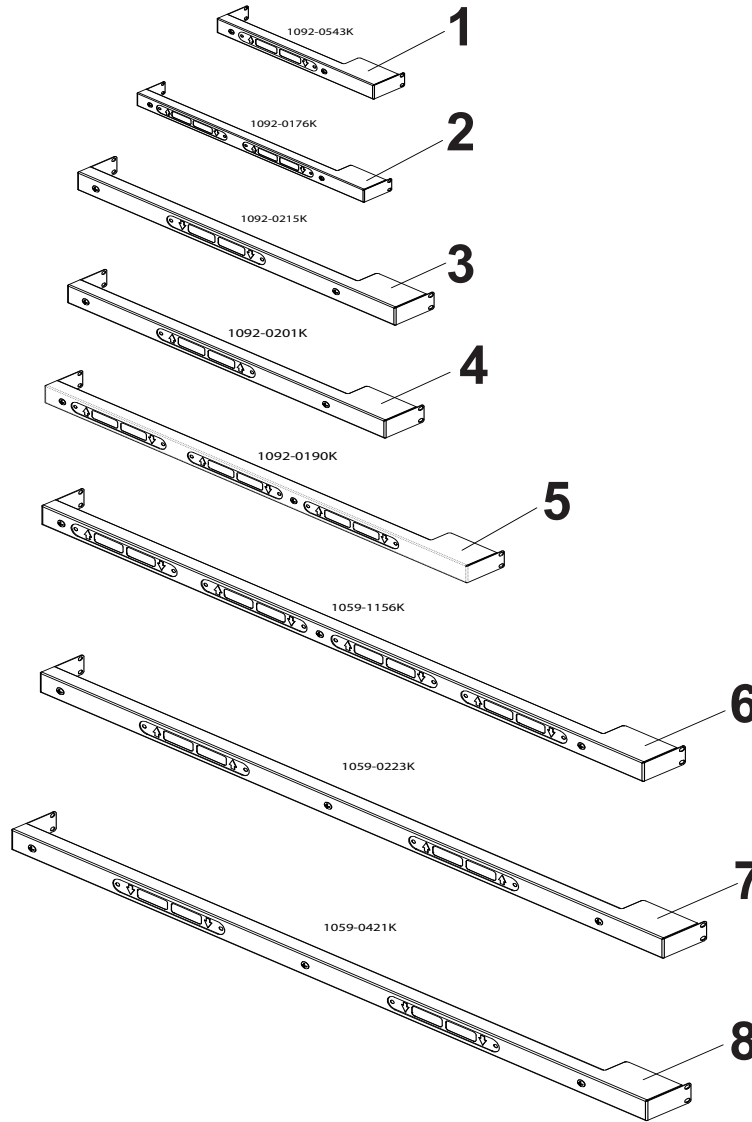
USER INTERFACE OPTIONS

Item	Part #	Description	Qty						
			2X2	2X3	2X4	3X2	4X1	4X2	3X4
DMX Front									
1	600564K	4.3 Display W/Dmx Asy	1	1	1	1	1	1	1
2	225238	HS2, Spacer Cover Stop	4	4	4	4	4	4	4
3	167564	Nut, #6-32 Keps	8	8	8	8	8	8	8
6	214487	Plug, Dome Dp 5/8" Blk #20615015-A030i	2	2	2	4	4	4	4
7	600566	RFHU, Mylar 4.3 Display	1	1	1	1	1	1	1
8	1092-0226	HHB Rear Tc Cvr Plt Weldment Asy	1	1	1	1	1	1	1
N/S	ELC0460	Jumper I03 To DMX 4 Row Hhb (Not Shown)	1	1	1	1	1	1	1
DMX Front & Back									
1	600564K	4.3 Display W/Dmx Asy	2	2	2	2	2	2	2
2	225238	HS2, Spacer Cover Stop	8	8	8	8	8	8	8
3	167564	Nut, #6-32 Keps	8	8	8	8	8	8	8
6	214487	Plug, Dome Dp 5/8" Blk #20615015-A030i	2	2	2	4	4	4	4
7	600566	RFHU, Mylar 4.3 Display	2	2	2	2	2	2	2
N/S	ELC0475	Jumper-Dual DMX To I03 Hhb (Not Shown)	1	1	1	1	1	1	1
DMX Front With Front Timer Bars									
1	600564K	4.3 Display W/DMX Asy	1	1	1	1	1	1	1
2	225238	HS2, Spacer Cover Stop	4	4	4	4	4	4	4
3	167564	Nut, #6-32 Keps	8	8	8	8	8	8	8
4	1092-0543K	HHB Menu Bar 1w					2		
	1092-0176K	HHB Menu Bar 2w	1			1		2	
	1092-0201K	HHB Menu Bar 2w Top				1			
	1092-0190K	HHB, Asy Menu Bar Lower 3w		1					
	1092-0223K	RFHU Menu Bar 4w Top							1
	1059-1156K	HS2, Asy Menu Bar Lower 4w			1				1
5	225173	Heyco, Snap Bushing Ocb-625	1	1	1	2	2	2	2
6	214487	Plug, Dome Dp 5/8" Blk #20615015-A030i	1	1	1	2	2	2	2
7	600566	RFHU, Mylar 4.3 Display	1	1	1	1	1	1	1
8	1092-0226	HHB Rear Tc Cvr Plt Weldment Asy	1	1	1	1	1	1	1
9	1059-0725	HS2, Menu Bar Pwr Brd Standoff	2	2	2	4	2	2	4
10	600569	Asy, Timer Bar 5v Power Pcb (Not Shown)	1	1	1	2	1	1	2
N/S	225219	Jumper 5v Pwr In-Line Short (Not Shown)	1	1	1	1	1	1	2
N/S	225220	Jumper 5v Pwr In-Line Long (Not Shown)				1	1	1	
N/S	ELC0460	Jumper I03 To DMX 4 Row Hhb (Not Shown)	1	1	1	1	1	1	1
N/S	ELC0461	Jumper I03 To I03 (Not Shown)		1	1	1	1	1	1

USER INTERFACE OPTIONS

Item	Part #	Description	Qty						
			2X2	2X3	2X4	3X2	4X1	4X2	3X4
DMX Front With Front & Rear Timer Bar									
1	600564K	4.3 Display W/DMX Asy	1	1	1	1	1	1	1
2	225238	HS2, Spacer Cover Stop	4	4	4	4	4	4	4
3	167564	Nut, #6-32 Keps	8	8	8	8	8	8	8
4	1092-0543K	HHB Menu Bar 1w					4		
	1092-0176K	HHB Menu Bar 2w	2			2		4	
	1092-0201K	HHB Menu Bar 2w Top				1			
	1092-0215K	HHB Menu Bar 2w Top Rear				1			
	1092-0190K	HHB, Asy Menu Bar Lower 3w		2					
	1092-0223K	RFHU Menu Bar 4w Top							1
	1059-1156K	HS2, Asy Menu Bar Lower 4w			2				2
	1092-0421K	RFHU Menu Bar 4w Top Rear							1
5	225173	Heyco, Snap Bushing Ocb-625	2	2	2	4	4	4	4
7	600566	RFHU, Mylar 4.3 Display	1	1	1	1	1	1	1
8	10192-0226	HHB Rear Tc Cvr Plt Weldment Asy	1	1	1	1	1	1	1
9	1059-0725	HS2, Menu Bar Pwr Brd Standoff (Not Shown)	2	4	4	6	4	4	6
10	600569	Asy, Timer Bar 5v Power Pcb (Not Shown)	1	2	2	3	2	2	3
N/S	225219	Jumper 5v Pwr In-Line Short (Not Shown)	1	2	2	2	2	2	3
N/S	225220	Jumper 5v Pwr In-Line Long (Not Shown)	1			2	2	2	1
N/S	ELC0460	Jumper I03 To DMX 4 Row Hhb (Not Shown)	1	1	1	1	1	1	1
N/S	ELC0461	Jumper I03 To I03 (Not Shown)		2	2	2	2	2	2

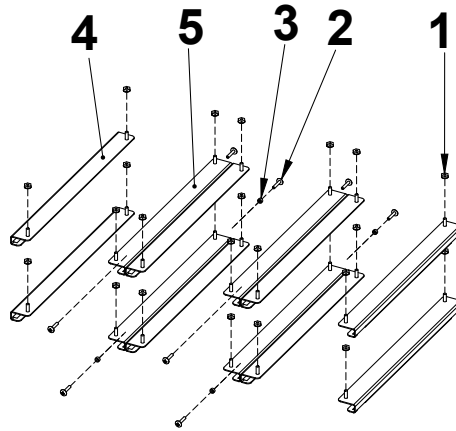
RFHU EXPLODED VIEW



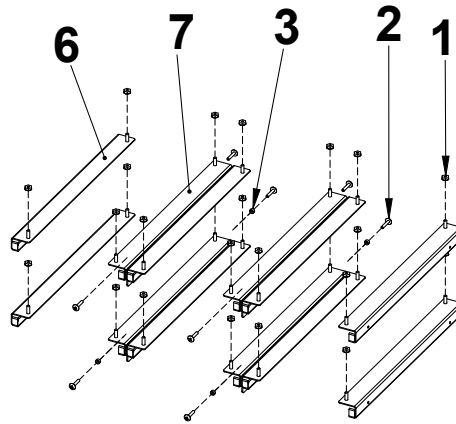
Item	Part #	Description
1	1092-0543K	HHB Menu Bar 1w
2	1092-0176K	HHB Menu Bar 2w
3	1092-0215K	HHB Menu Bar 2w Top Rear
4	1092-0201K	RFHU Menu Bar 2w Top Front
5	1092-0190K	HHB, Asy Menu Bar Lower 3w
6	1059-1156K	HS2, Asy Menu Bar Lower 4w
7	1059-0223K	RFHU, Asy Menu Bar 4w Top Front
8	1059-0421K	RFHU, Asy Menu Bar 4w Top Rear

RFHU EXPLODED VIEW

FLEXIBLE LID SYSTEM



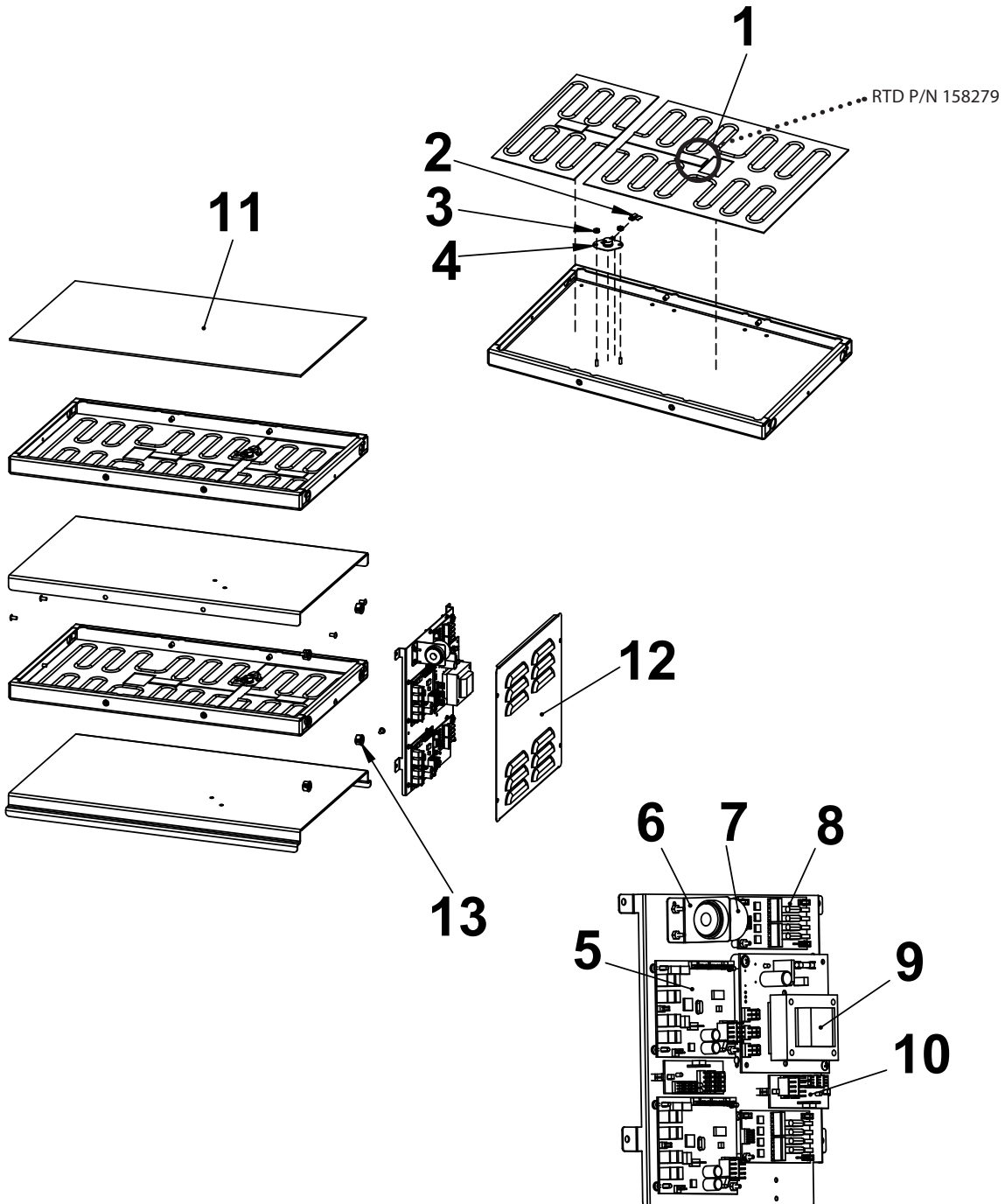
DEDICATED LID SYSTEM



Item	Part	Description	2X2		2X3		2X4		3X2		4X1		4X2		3X4	
			FLEX	DED	FLEX	DED	FLEX	DED	FLEX	DED	FLEX	DED	FLEX	DED	FLEX	DED
1	155680	Nut, Keps, 8-32 Hex Zp	16		24		32		24		16		32		48	
2	223467	Screw, #8-32 X.750 Pd-Ph-Hd S/S	4		8		8		6		8		8		12	
3	225238	Hs2, Spacer Cover Stop	2		4		4		4		6		6		8	
4	1092-0454	RFHU Pan Cvr Guide Rail Pem Asy	4		4		4		6		8		8		6	
5	1092-0455	RFHU Pan Cvr Guide Rail Weldment Asy	2		4		6		3				4		9	
6	1092-0468	RFHU Pan Cvr Guide Rail Pem Asy Fixed		4		4		4		6		8		8		6
7	1092-0466	RFHU Pan Cvr Guide Rail Weld Asy Fixed		2		4		6		3				4		9

RFHU EXPLODED VIEW

RFHU-23 SHOWN

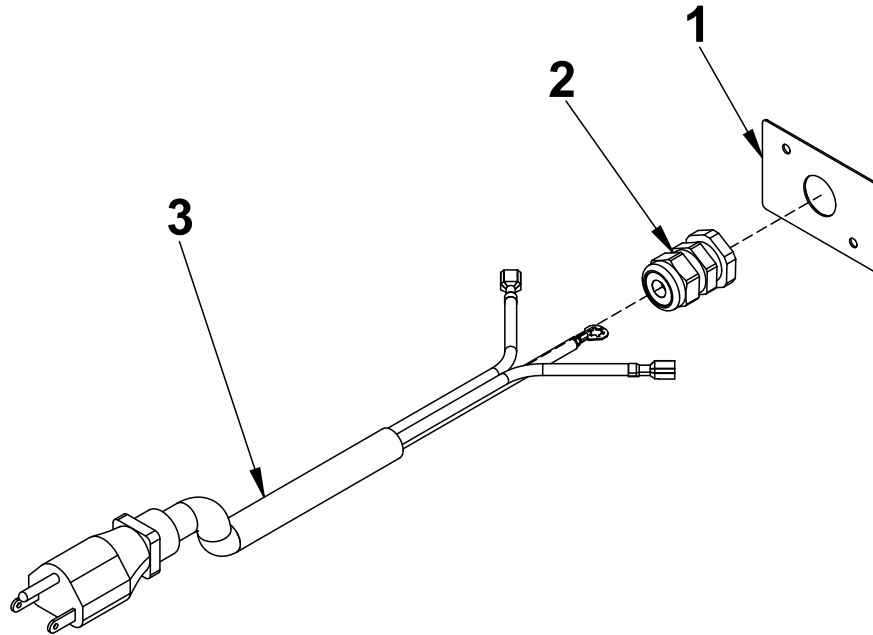


RFHU EXPLODED VIEW

Item	Part	Description	2X2		2X3		2X4		3X2		4X1		4X2		3X4	
			2.5IN	4IN	2.5IN	4IN	2.5IN	4IN	2.5IN	4IN	2.5IN	4IN	2.5IN	4IN	2.5IN	4IN
1	1092-0552	RFHU, Heater 1w 120v									1					
	1059-0870	HS2, Heater 2w 120v	4		6		8		6				8			
	1059-0980	HS2, Heater 1w 120v			6											
	1092-0553	RFHU, Heater 1w 208v-240v									4					
	225174K	HS2, Heater 4w 208v-240v			6		8									12
	225225K	HS2, Heater 2w 208v-240v	4						6				8			
	225257K	HS2, Heater 1w 208v-240v			6											
2	512120	Terminal,Multiplier - 34p2156	1		1		1		1		1		1		1	
3	155680	Nut,Keps 8-32 Hex Zp	4		6		8		6		8		8		8	
4	158312	Thermostat,Hi-Limit 300 Deg W/ Flange	1		1		1		1		1		1		1	
5	600588	Kit,Service,Pcb,Io3,Rfhu	1		1		1		1		1		1		1	
6	1059-0384	HS2, Buzzer Mtg Brkt	1		1		1		1		1		1		1	
7	512766	Buzzer,Ultra Sound Cont T	1		1		1		1		1		1		1	
8	166114	Triac Pcb Asy	1		1		1		1		1		1		1	
9	600352	Kit, Service 225185 Pwr Supply	1		1		1		1		1		1		1	
	600568	Pwr Supply-120vac, 12vdc 3a	1		1		1		1		1		1			
10	225181	Asy, Timer Bar 5v Power Pcb	1		1		1		1		1		1		1	
11	225180	IRHS2, Insulation 1/8"	1		1		1		1		1		1		1	
12*	1092-0444	RFHU, Access Pnl 2h 2.5in	2		2		2									
	1092-0262	RFHU, CE Access Pnl 2h 2.5in														
	1092-0449	RFHU, Access Pnl 2h 4in		2		2		2								
	1092-0259	RFHU, CE Access Pnl 2h 4in														
	1092-0472	RFHU, Access Pnl 3h 2.5in						2							2	
	1092-0256	RFHU, CE Access Pnl 3h 2.5in														
	1092-0477	RFHU, Access Pnl 3h 4in						2								2
	1092-0253	RFHU, CE Access Pnl 3h 4in														
	1092-0482	RFHU, Access Pnl 4h 2.5in							2			2				
	1092-0230	RFHU, CE Access Pnl 4h 2.5in														
	1092-0487	RFHU, Access Pnl 2h 4in								2			2			
	1092-0250	RFHU, CE Access Pnl 4h 4in														
13	225173	Heyco, Snap Bushing Ocb-625	1		1		1		1		1		1		1	

***Note:** Domestic Models Require 2 Access Panels. Ce Models Require 1 Access Panel And 1 Ce Access Panel.

RFHU EXPLODED VIEW



Item	Part	Description	2X2	2X3	2X4	3X2	4X1	4X2	3X4
1	1092-0399	HHB Power Cord Mtg Plate	1	1	1	1	1	1	1
2	175515	Strain Relief,Power Cord Includes Nut	1	1	1	1	1	1	1
3	153743	Cord, Power Asy, 15a 125v	1	1	1	1	1	1	
	156621	Cord,Power 20 Amp 125v		1*	1*	1*	1*	1*	
	522526	Cord, Power,Asy 16amp 230v	1	1	1	1	1	1	1
	160448	Cord, Power, Assy 16 Amp 230v		1	1		1	1	1
	222170	Cord, Power, Asy 15 Amp 250v With Terminals, 6 Foot	1	1	1	1	1	1	1

*Note: 120v Units Manufactured Prior To
(Serial Number - 04224269) Require A
20a Line Cord.

WIRING HARNESS PART #'S

2X2	
Part #	Description
ELC0489	Ethernet Cable 18"
ELC0491	Molded Usb-A Cable 10"
225219	Harness, Timer Bar Exit, Quad
225220	Harness, Timer Bar Exit, Dual
ELC0475	Jumper - Dual Dmx 3 & 4 Row Rfhu
ELC0481	Jumper - I03 To Dmx, 2 And 3 Row Rfhu
ELC0459	Jumper - Main 12v Dc And Can
ELC0467	Jumper - I03 Heat Triac Pcb 7.0"
ELC0473	Jumper Beeper I03
ELC0479	Harness - Main Ac Rfhu 2x2, 2x3, 2x4

2X3	
Part #	Description
ELC0489	Ethernet Cable 18"
ELC0491	Molded Usb-A Cable 10"
225219	Harness, Timer Bar Exit, Quad
ELC0461	Jumper - I03 To I03
ELC0475	Jumper - Dual Dmx 3 & 4 Row Rfhu
ELC0481	Jumper - I03 To Dmx, 2 And 3 Row Rfhu
ELC0459	Jumper - Main 12v Dc And Can
ELC0467	Jumper - I03 Heat Triac Pcb 7.0"
ELC0479	Harness - Main Ac Rfhu 2x2, 2x3, 2x4

WIRING HARNESS PART #'S

2X4	
Part #	Description
ELC0489	Ethernet Cable 18"
ELC0491	Molded Usb-A Cable 10"
225219	Harness, Timer Bar Exit, Quad
225220	Harness, Timer Bar Exit, Dual
ELC0475	Jumper - Dual Dmx 3 & 4 Row Rfhu
ELC0481	Jumper - I03 To Dmx, 2 And 3 Row Rfhu
ELC0461	Jumper - I03 To I03
ELC0459	Jumper - Main 12v Dc And Can
ELC0467	Jumper - I03 Heat Triac Pcb 7.0"
ELC0473	Jumper Beeper I03
ELC0479	Harness - Main Ac Rfhu 2x2, 2x3, 2x4

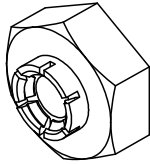
3X2	
Part #	Description
ELC0490	Ethernet Cable 24"
ELC0492	Molded Usb-A Cable 16"
225219	Harness, Timer Bar Exit, Quad
225220	Harness, Timer Bar Exit, Dual
ELC0475	Jumper - Dual Dmx 3 & 4 Row Rfhu
ELC0461	Jumper - I03 To I03
ELC0460	Harness, Wire, Jumper I03 To Dmx 4 Row Rfhu
ELC0459	Jumper - Main 12v Dc And Can
ELC0467	Jumper - I03 Heat Triac Pcb 7.0"
ELC0473	Jumper Beeper I03
ELC0479	Harness - Main Ac Rfhu 2x2, 2x3, 2x4

WIRING HARNESS PART #'S

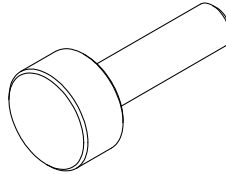
4X2	
Part #	Description
ELC0468	Ethernet Cable 36"
ELC0493	Molded Usb-A Cable 24"
225219	Harness, Timer Bar Exit, Quad
225220	Harness, Timer Bar Exit, Dual
ELC0460	Harness, Wire, Jumper I03 To Dmx 4 Row Rfhu
ELC0461	Jumper - I03 To I03
ELC0459	Jumper - Main 12v Dc And Can
ELC0467	Jumper - I03 Heat Triac Pcb 7.0"
ELC0473	Jumper Beeper I03
ELC0478	Harness - Main Ac Rfhu 2x2, 2x3, 2x4

MISC HARDWARE PART #'S

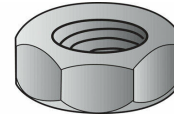
1059-0732



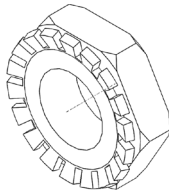
1059-0731



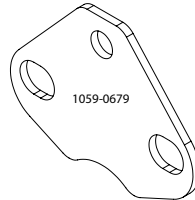
155680



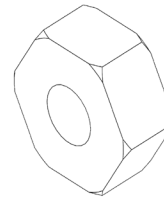
167564



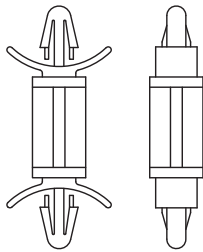
1059-0679



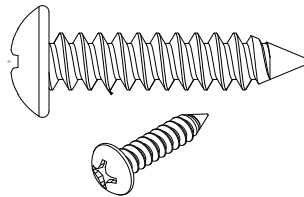
223470



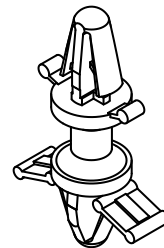
1059-0725



120015

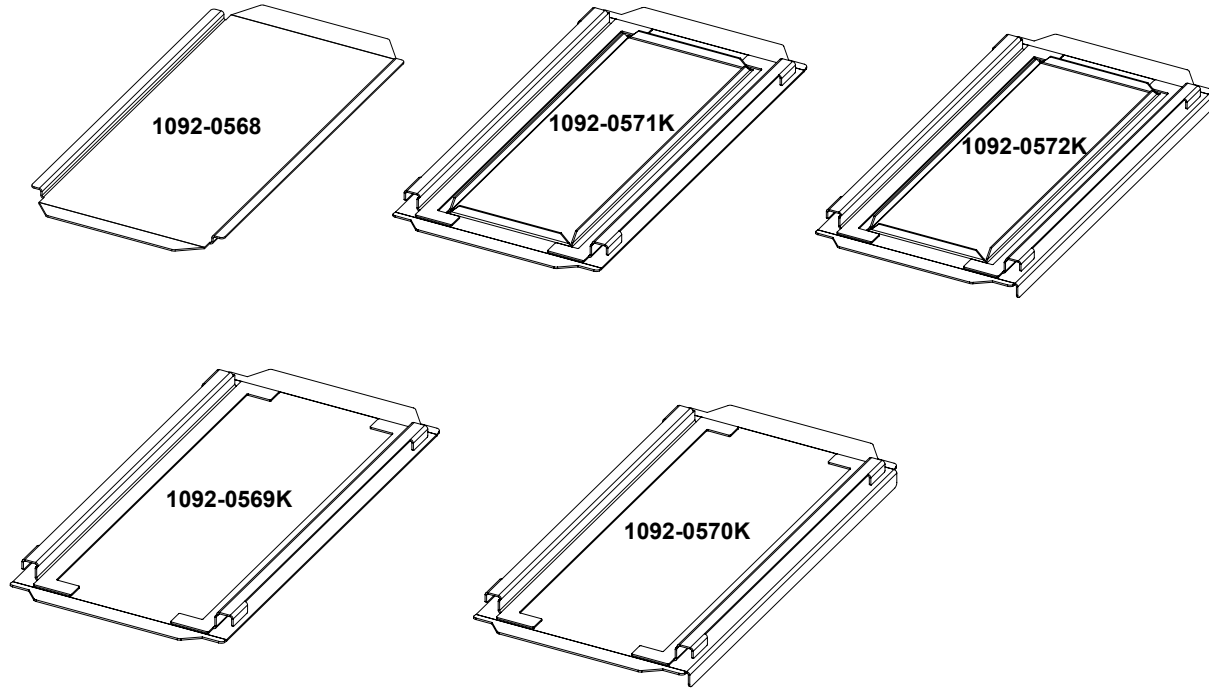


166101



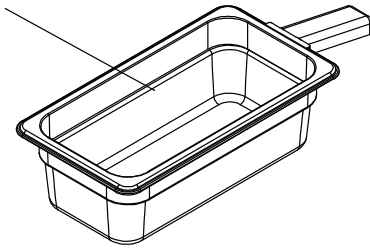
MISC HARDWARE	
2X2, 2X3, 2X4, 3X2, 4X2	
Part #	Description
1059-0732	Nut, Flex Lock 18-8 Ss, 8-32
1059-0731	Screw, Knurled Thumb 8-32x5/8 Stainless Steel
155680	Nut, Keps 8-32 Hex Zp
167564	Nut, Keps 6-32 Hex Ss
1059-0679	Hs2, Cover, Usb
223470	Nut, 4-40 Nylon Locknut
1059-0725	Standoff, Menu Bar Pwr Brd, Hs2
120015	Screw, 8x75" Pn Sheetmetal
166101	Support, Lock-In Pc
155680	Nut, Keps 8-32 Hex Zp (Not Shown)
279500	Screw, 8-32x1/2" Pthms 18-8ss (Not Shown)

LID PART NUMBERS AND DESCRIPTIONS

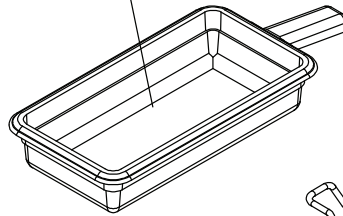


LID PART #'S	
Part #	Description
1092-0568	Rfhu Cover Fixed
1092-0571K	Rfhu Weldment Vented Lid W/O Pan Guide
1092-0572K	Rfhu Weldment Vented Lid W/ Pan Guide
1092-0569K	Rfhu Weldment Solid Lid W/O Pan Guide
1092-0570K	Rfhu Weldment Solid Lid W/ Pan Guide

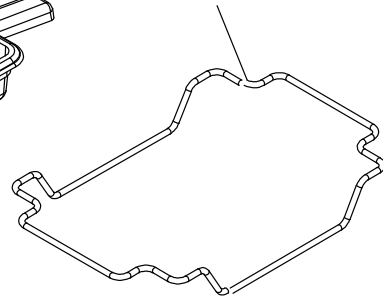
160403



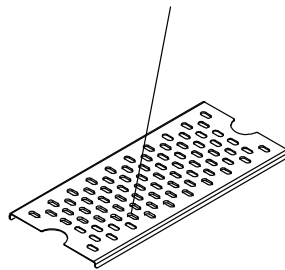
156602



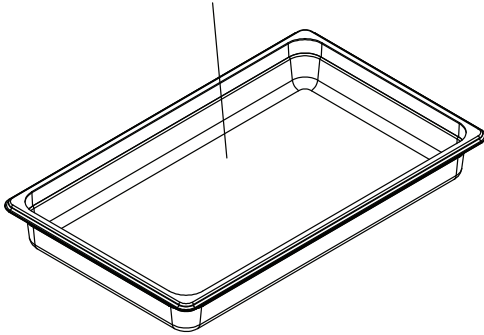
165844



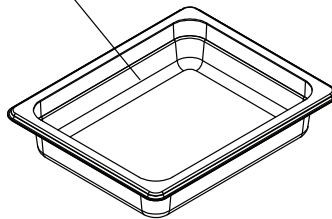
E030951



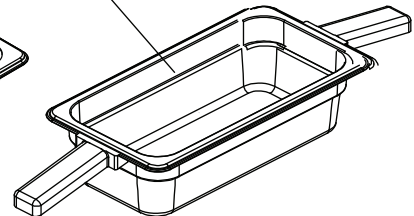
159155



160886



160434

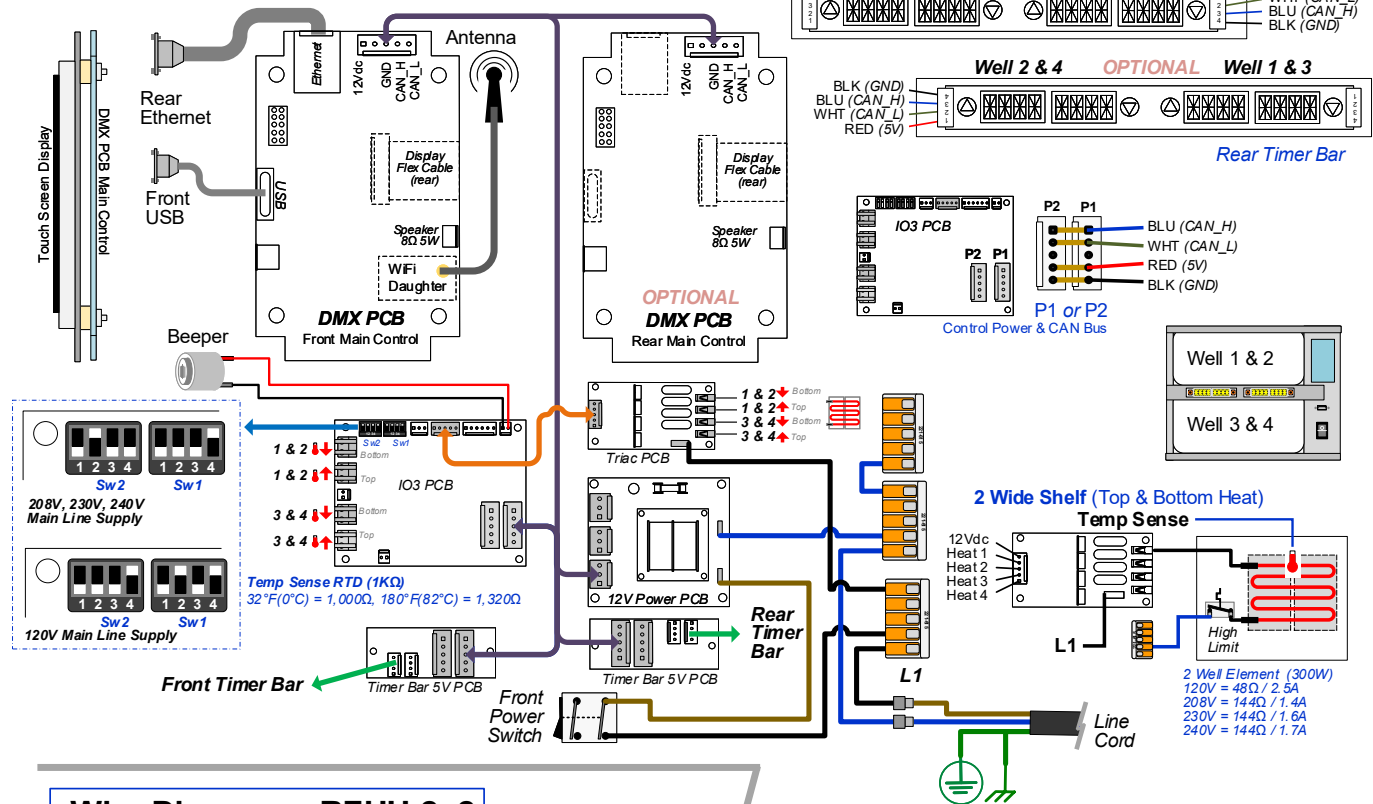


ACCESSORY PART #'S	
Part #	Description
E030951	Trivet, Metal, 1/3 Size Pan
160403	Pan,4" Deep,Single Handle (6/Box)
156602	Pan,Single Handle 36/Box, 576 Skid--So Specs**One Handle**
165844	Carrier,Pan Ps Muhc
159155	Pan,12x20x2-1/2dp
160886	Pan,Half Size 2-1/2" Deep
160434	Pan,4" Deep,Double Handle (12/Box)

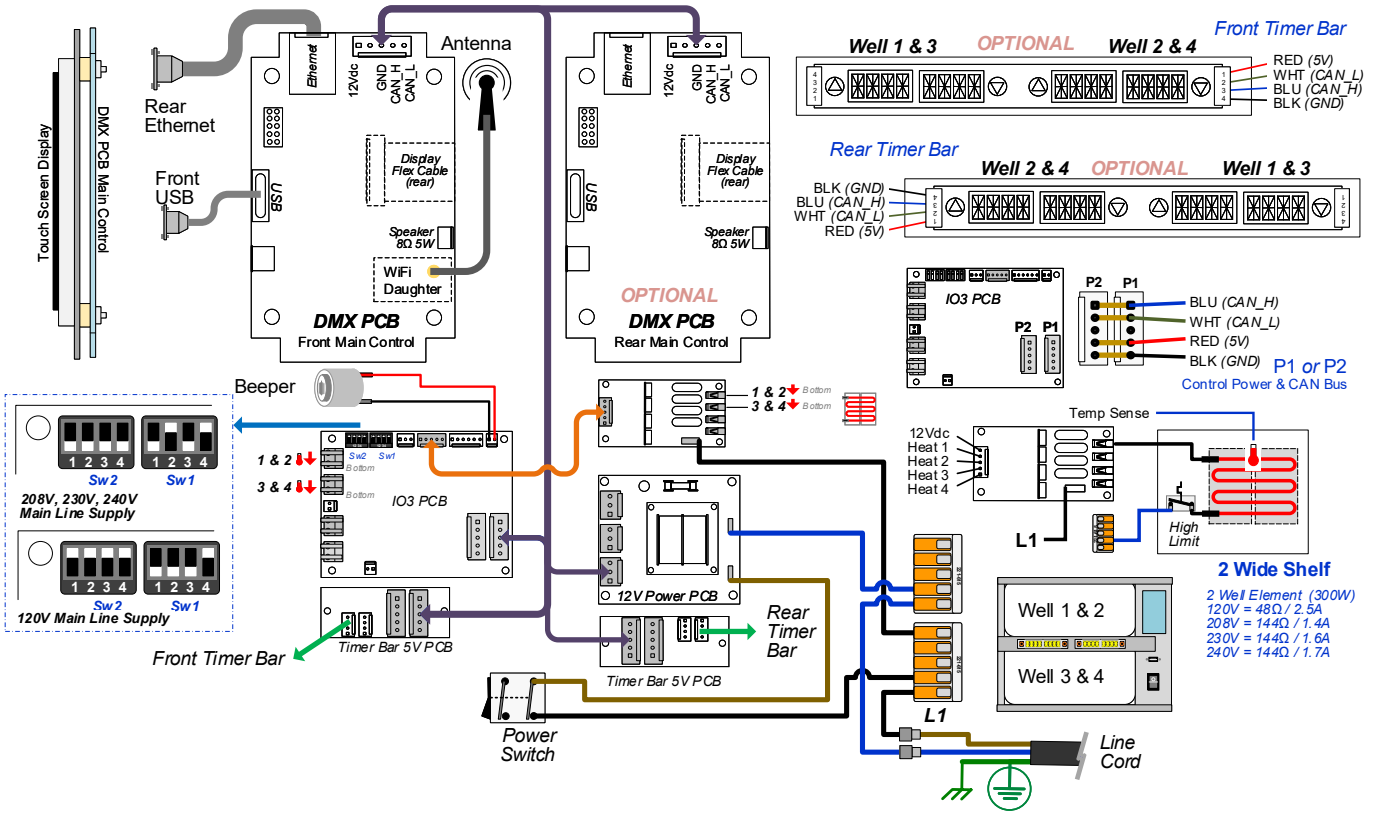
WIRE DIAGRAMS 2X2 - TOP & BOTTOM HEAT

ELC0541 Rev. D

Wire Diagram – RFHU 2x2 *Top & Bottom Heat



Wire Diagram – RFHU 2x2 *Bottom Heat only

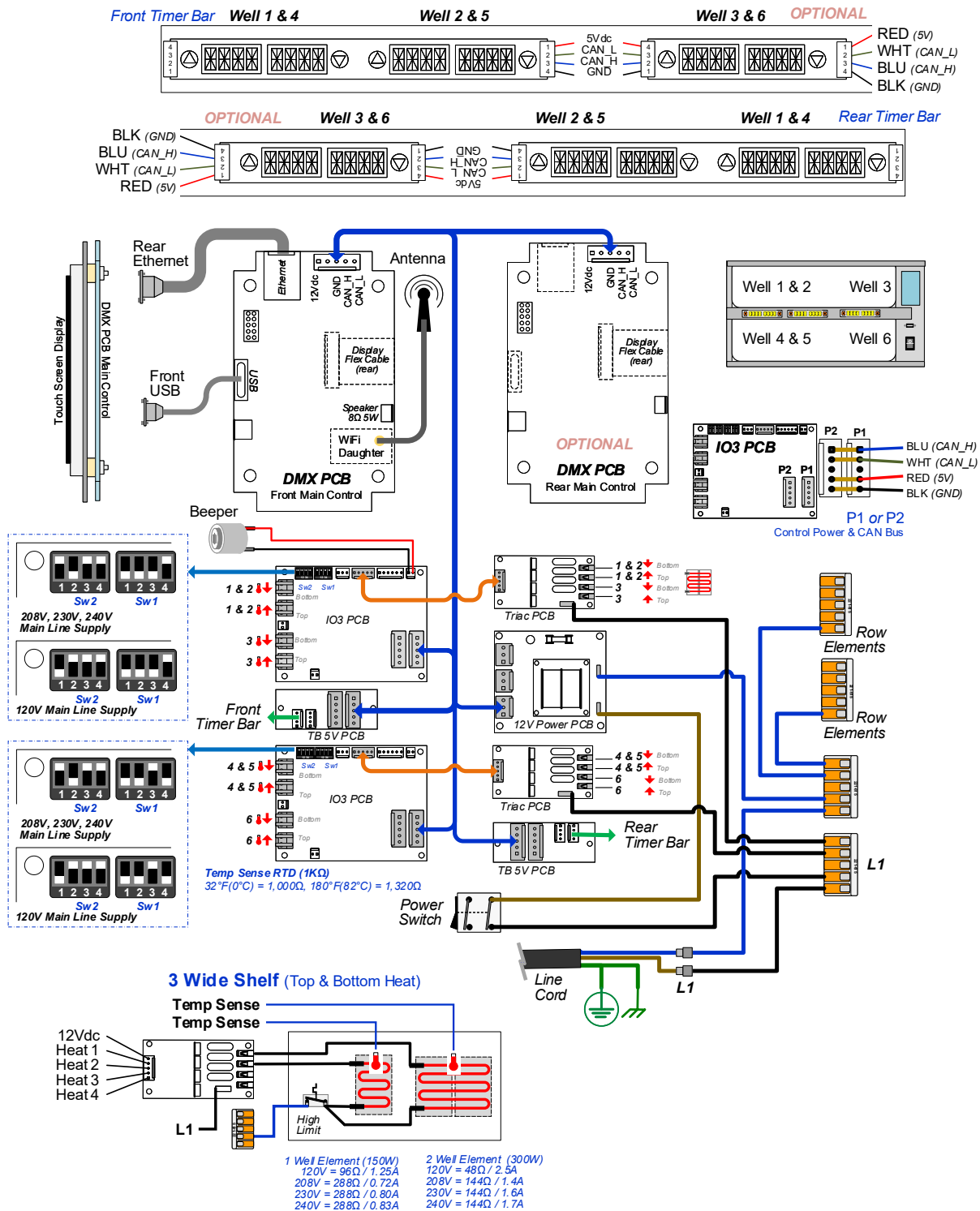


WIRE DIAGRAMS 2X3 - TOP & BOTTOM HEAT

Wire Diagram - RFHU 2x3

* Top & Bottom Heat

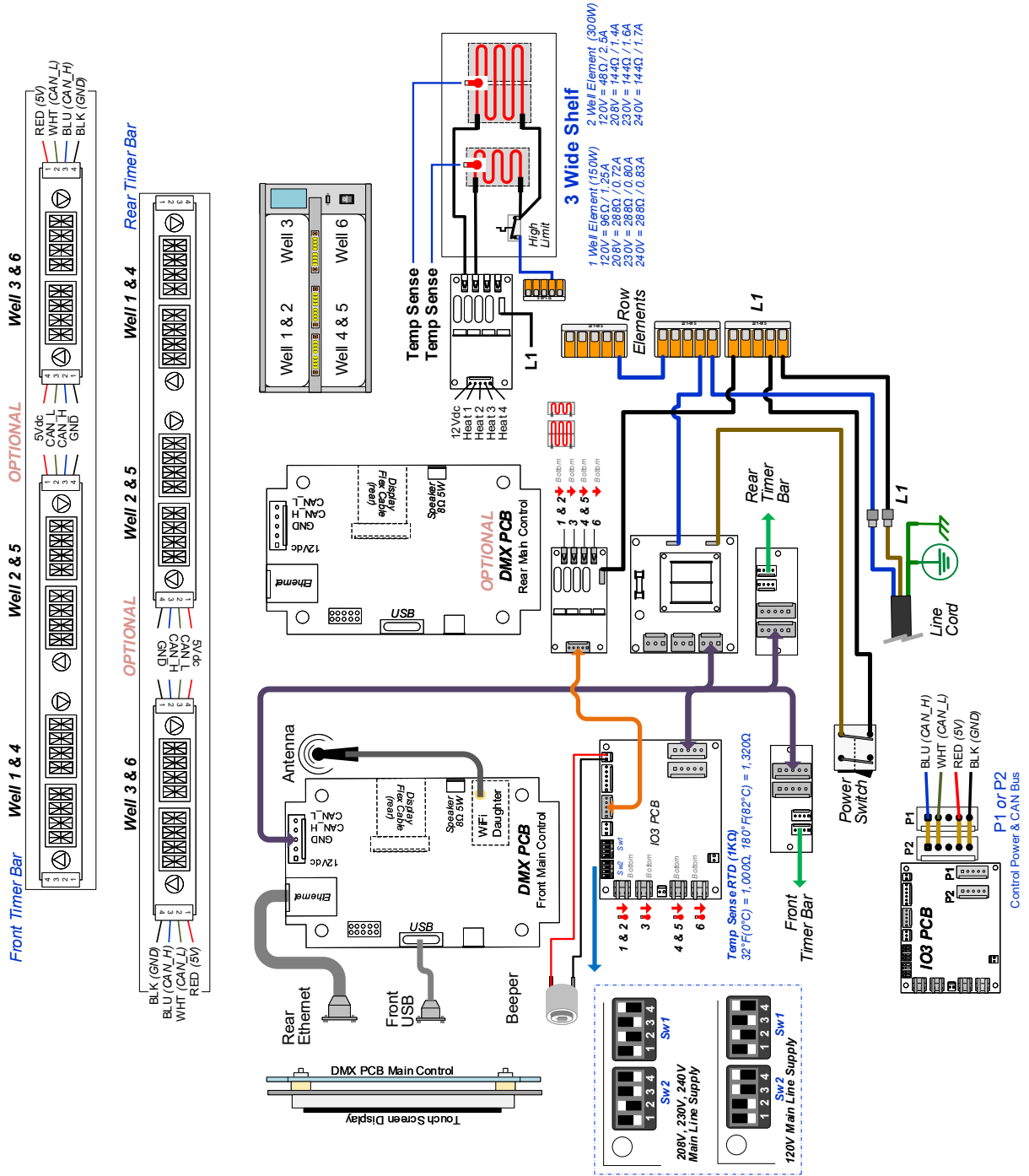
ELC0539 Rev F



WIRE DIAGRAMS 2X3 - BOTTOM HEAT

ELC0542 Rev C

Wire Diagram – RFHU 2x3 * Bottom Heat

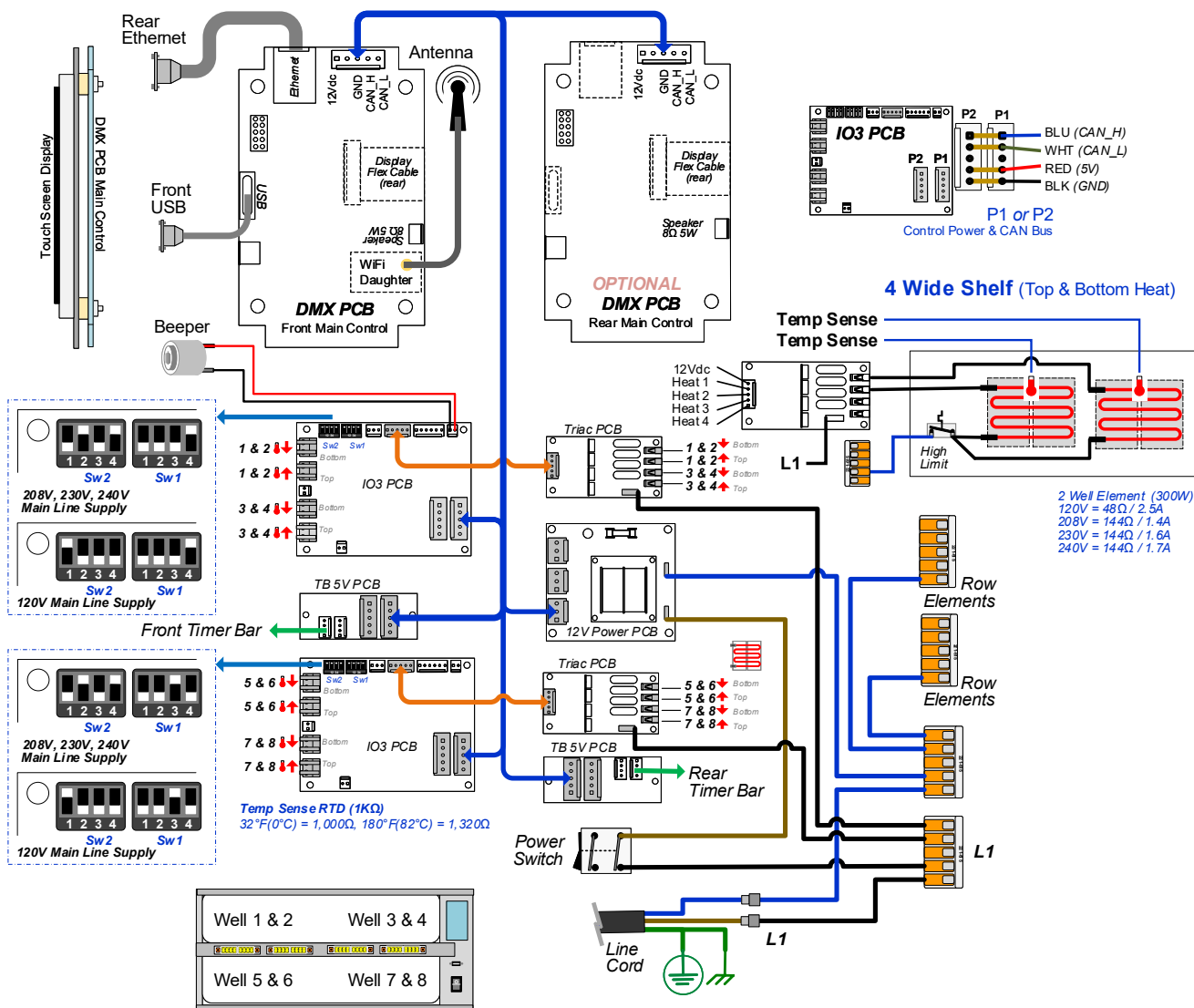
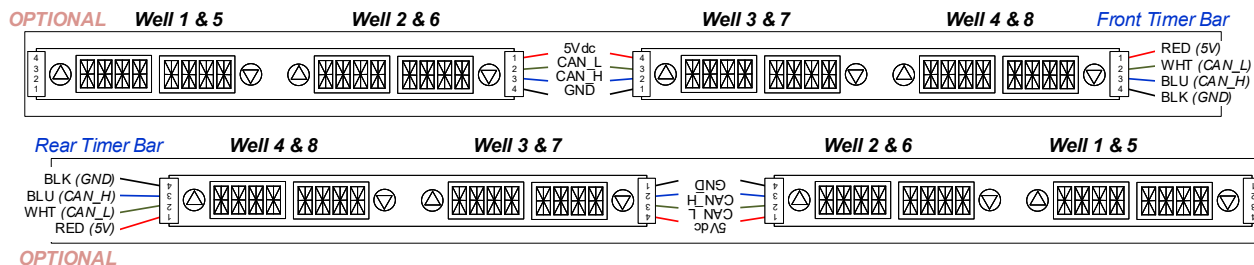


WIRE DIAGRAMS 2X4 - TOP & BOTTOM HEAT

Wire Diagram - RFHU 2x4

* Top & Bottom Heat

ELC0535 Rev C

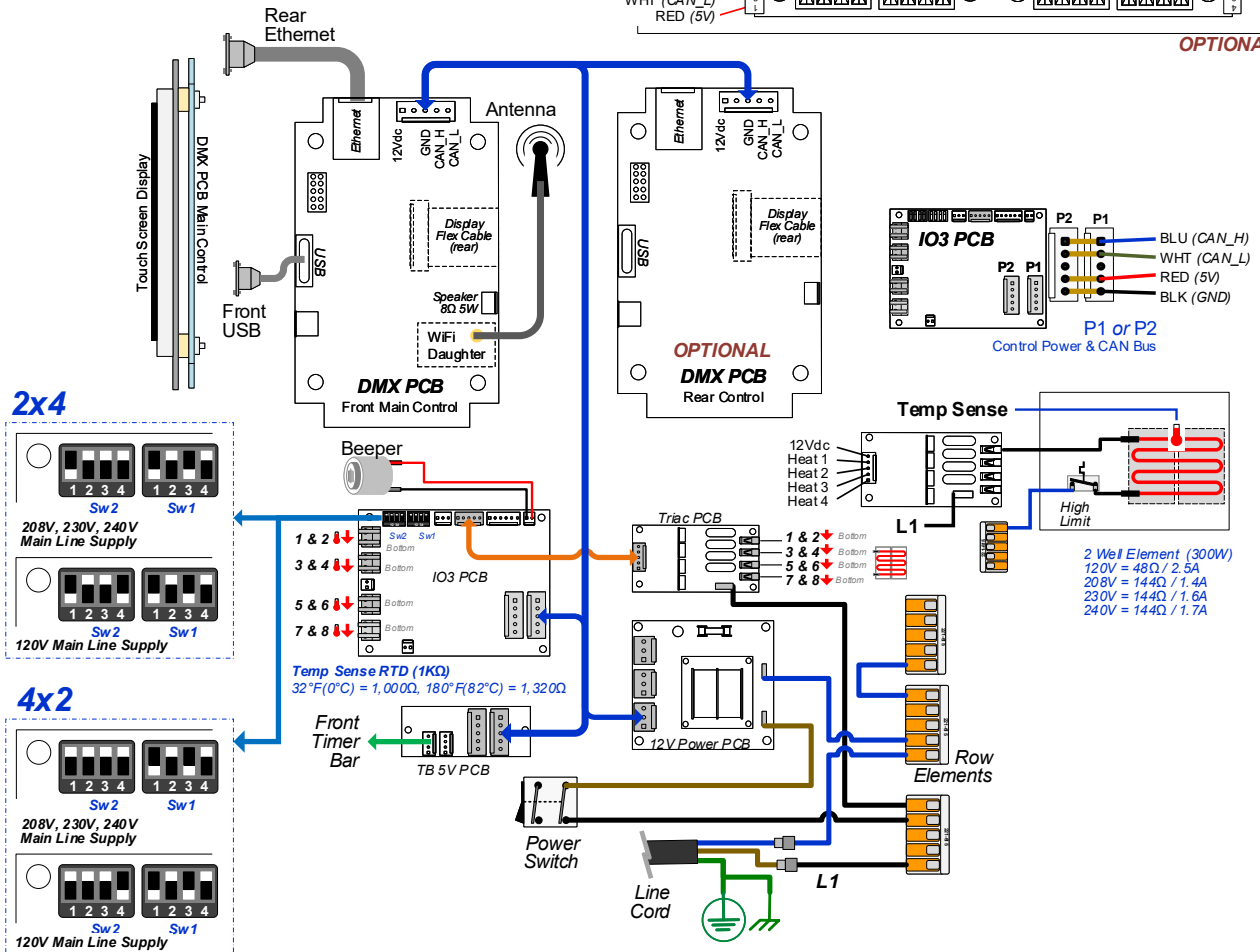
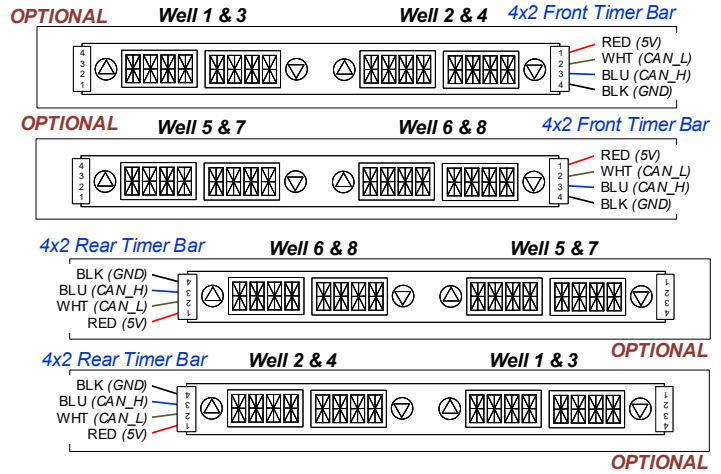
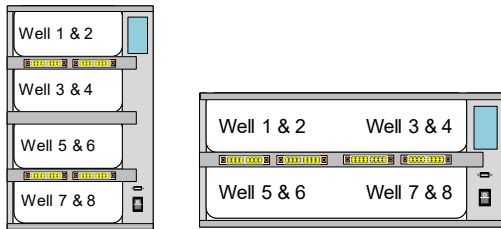
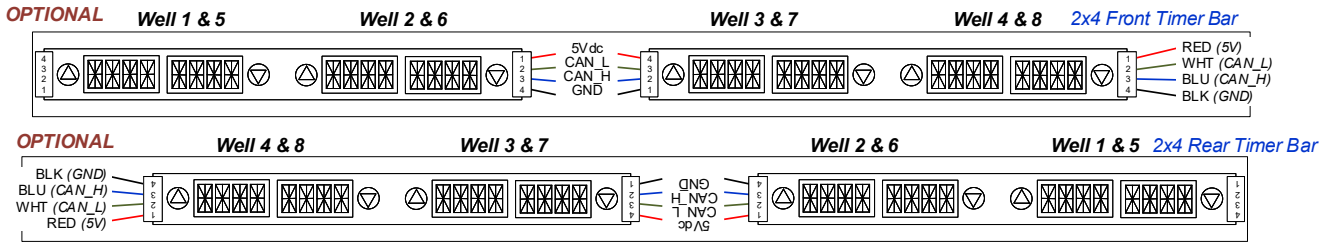


WIRE DIAGRAMS - 2X4 & 4X2 BOTTOM HEAT

Wire Diagram – RFHU 2x4 & 4x2

* Bottom Heat

ELC0537 Rev D

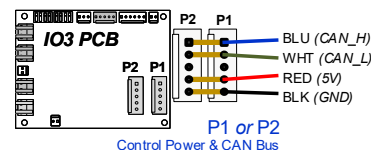
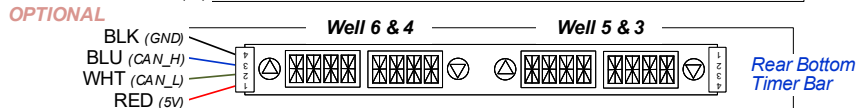
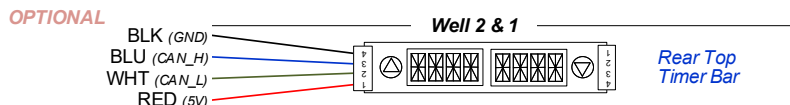
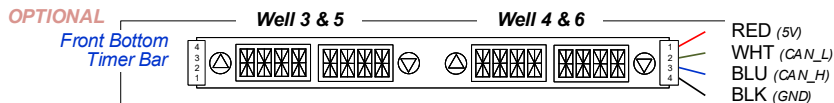
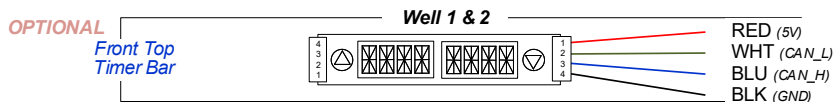
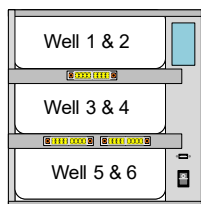


WIRE DIAGRAMS 3X2 TOP AND BOTTOM HEAT

Wire Diagram – RFHU 3x2

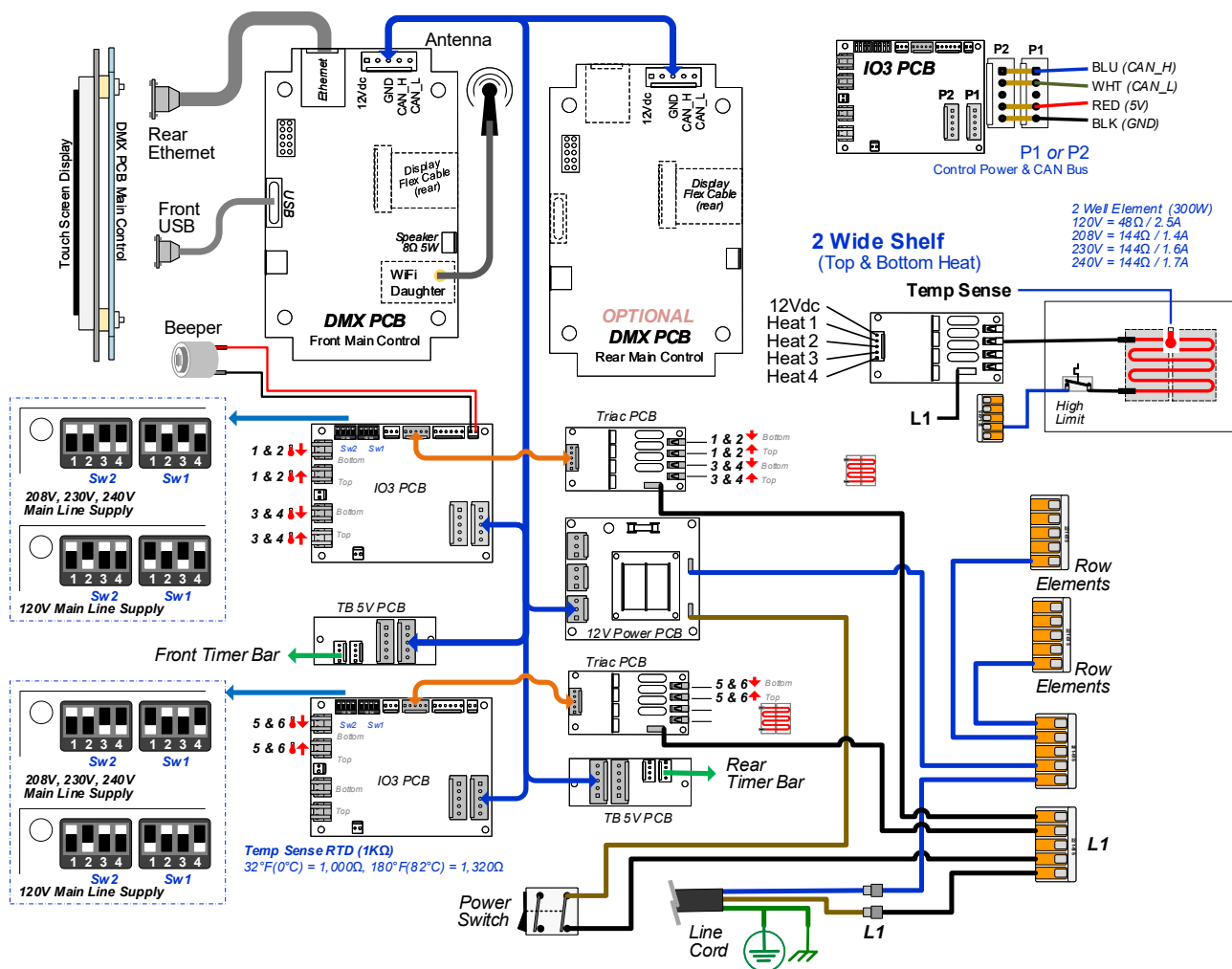
* Top & Bottom Heat

ELC0538 Rev C



2 Wide Shelf
(Top & Bottom Heat)

2 Well Element (300W)
120V = 48Ω / 2.5A
208V = 144Ω / 1.4A
230V = 144Ω / 1.6A
240V = 144Ω / 1.7A

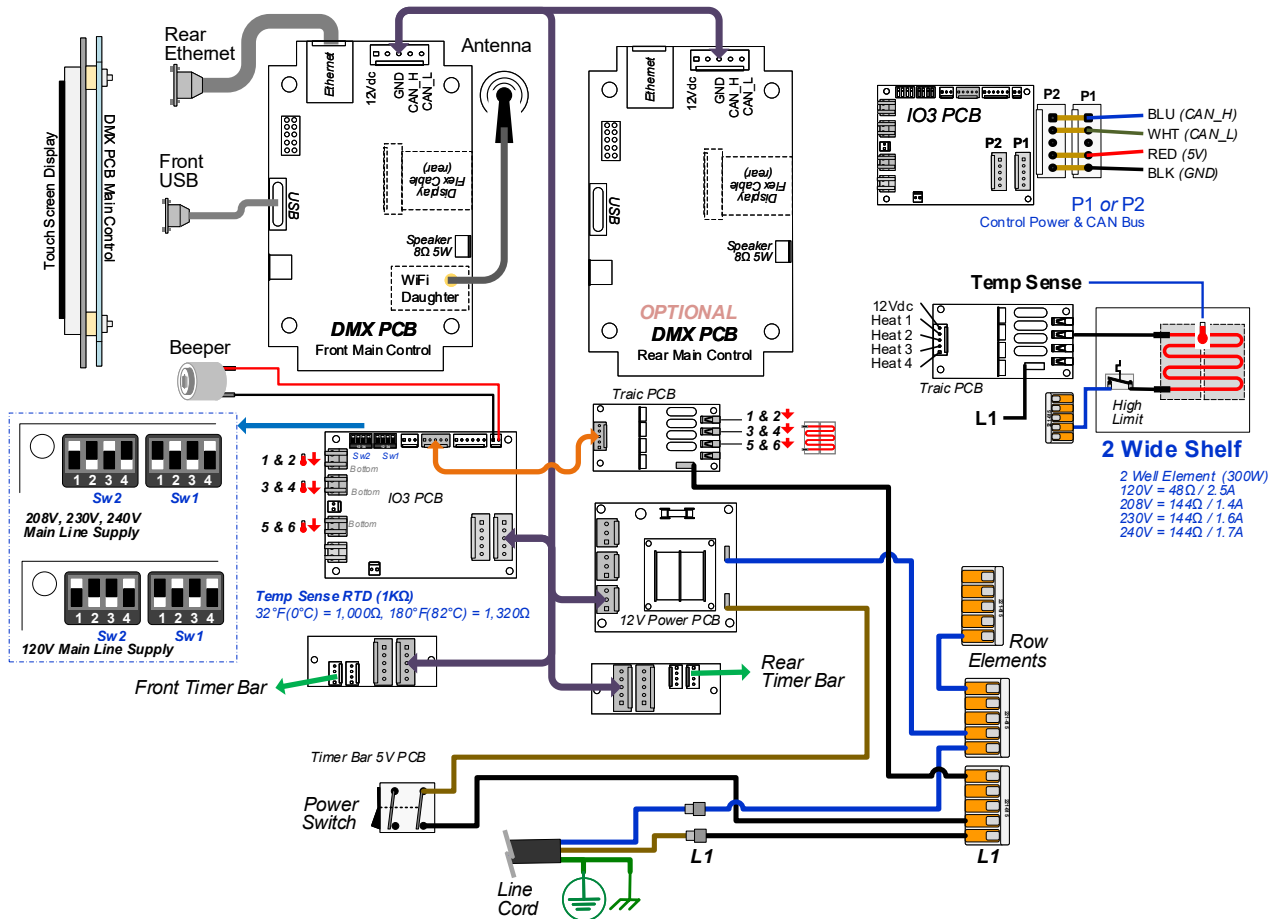
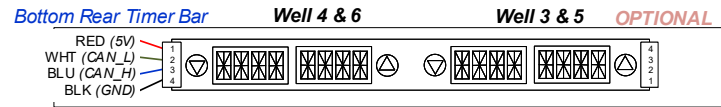
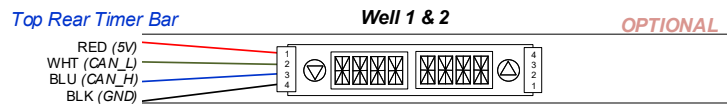
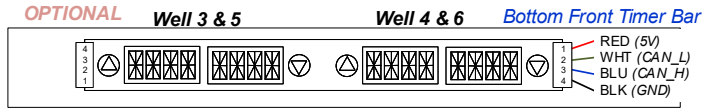
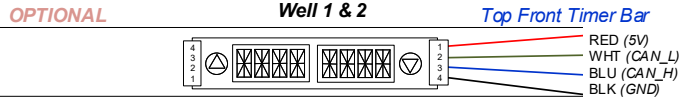
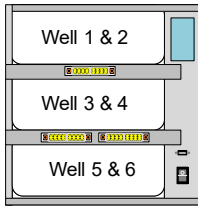


WIRE DIAGRAMS - 3X2 BOTTOM HEAT ONLY

ELC0540 Rev D

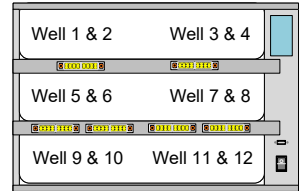
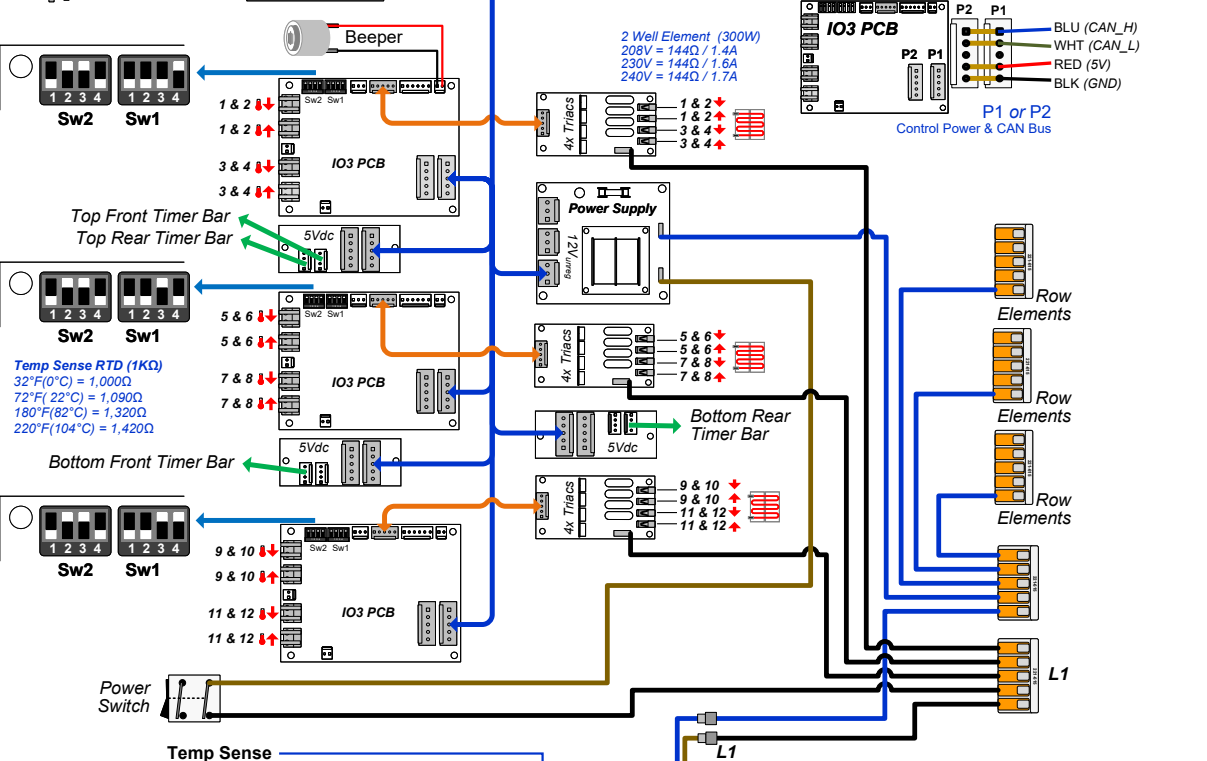
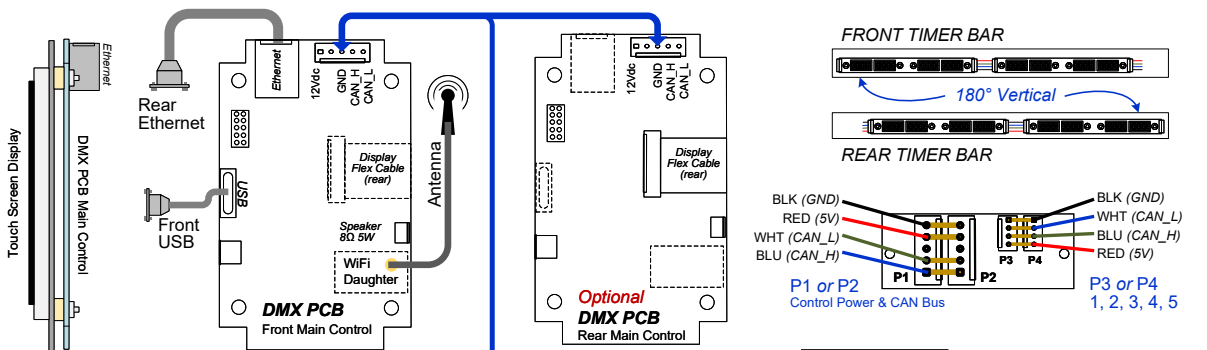
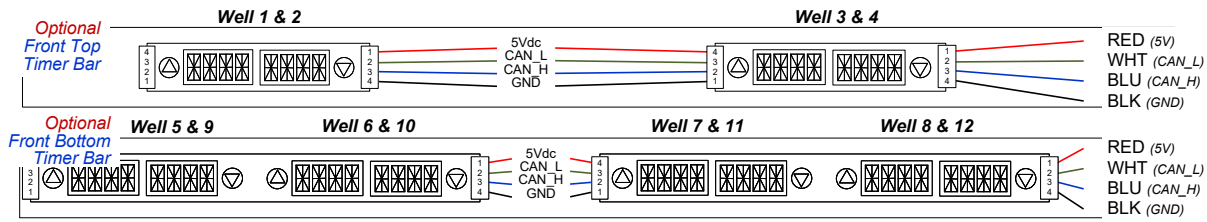
Wire Diagram - RFHU 3x2

* Bottom Heat only



WIRE DIAGRAMS 3X4 TOP & BOTTOM HEAT

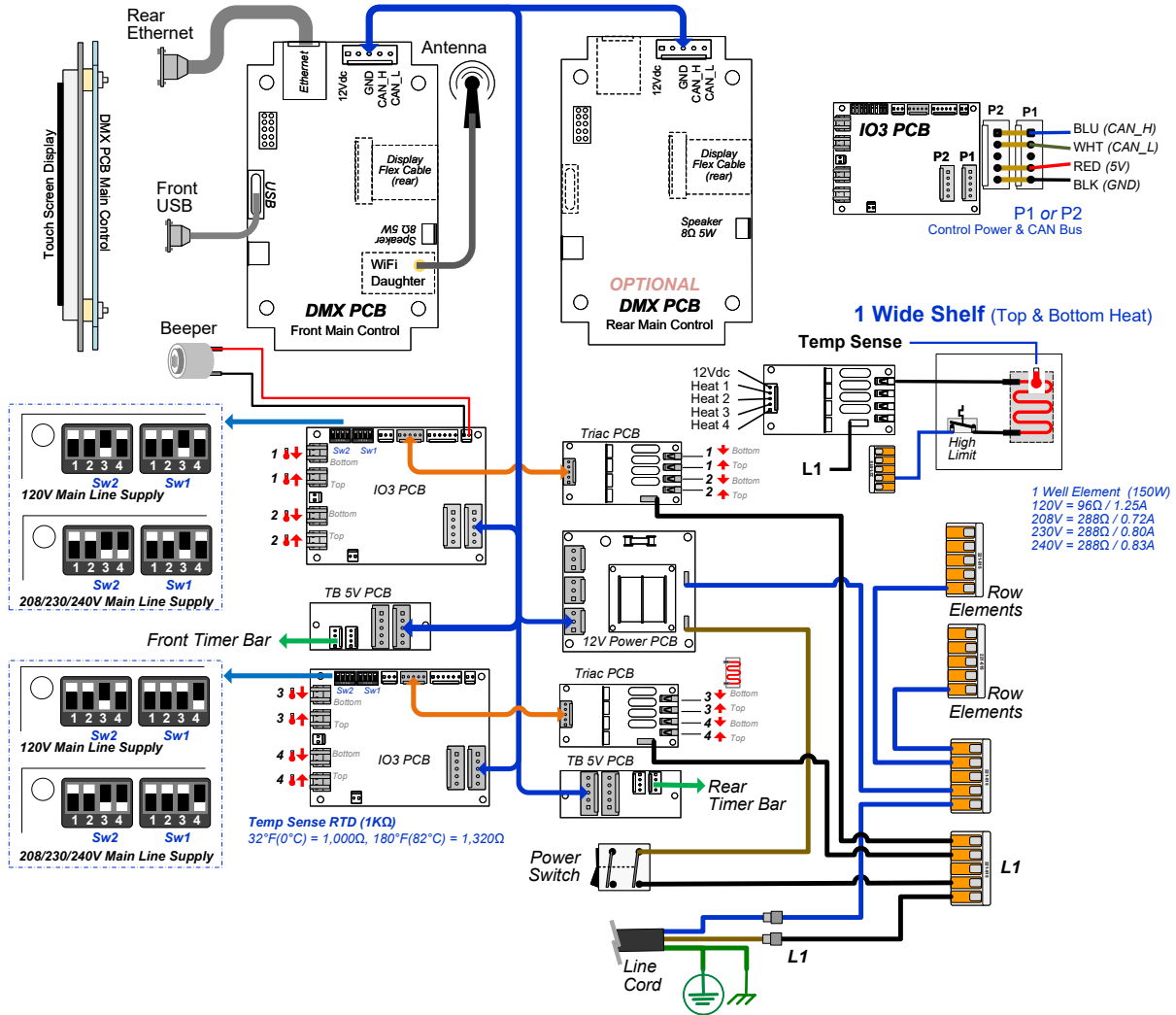
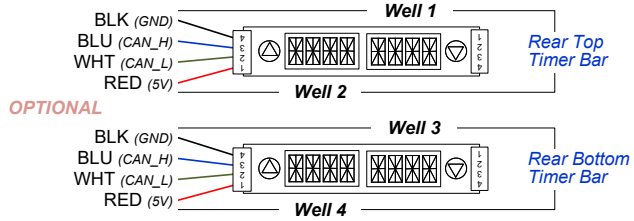
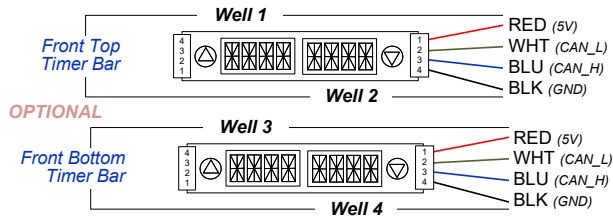
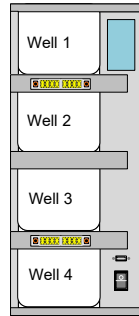
RFHU 3x4 Wire Diagram ELC0533 Rev A 4/26/2022



WIRE DIAGRAMS 4X1 TOP & BOTTOM HEAT

ELC0676 Rev A

Wire Diagram - RFHU 4x1 Top & Bottom Heat

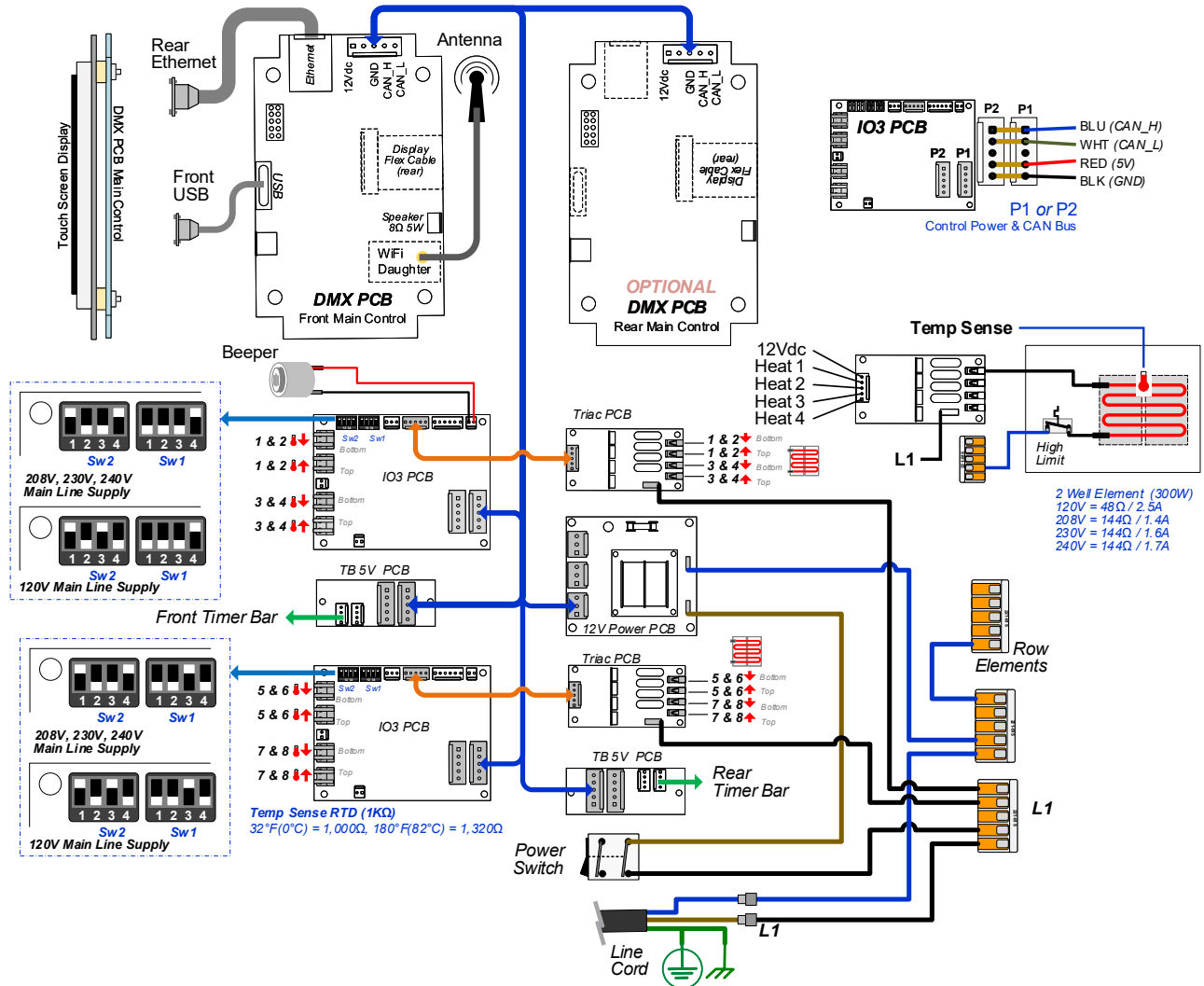
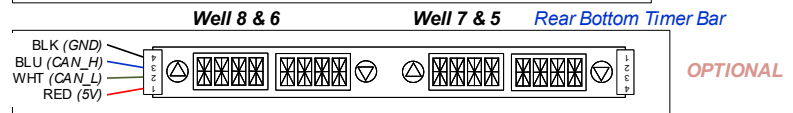
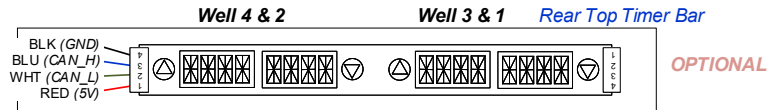
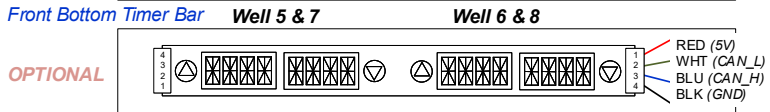
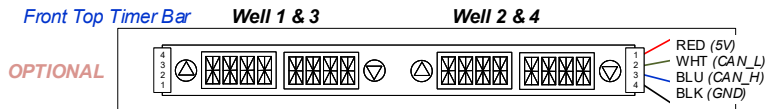
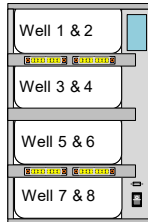


WIRE DIAGRAMS 4X2 TOP & BOTTOM HEAT

ELC0536 Rev d

Wire Diagram - RFHU 4x2

* Top & Bottom Heat



Notes



Your Solutions Partner

Duke Manufacturing Company

**2305 N. BROADWAY
ST. LOUIS, MO 63102
PHONE: 314-231-1130
TOLL FREE: 1-800-735-3853
FAX: 314-231-5074
WWW.DUKEMFG.COM**