

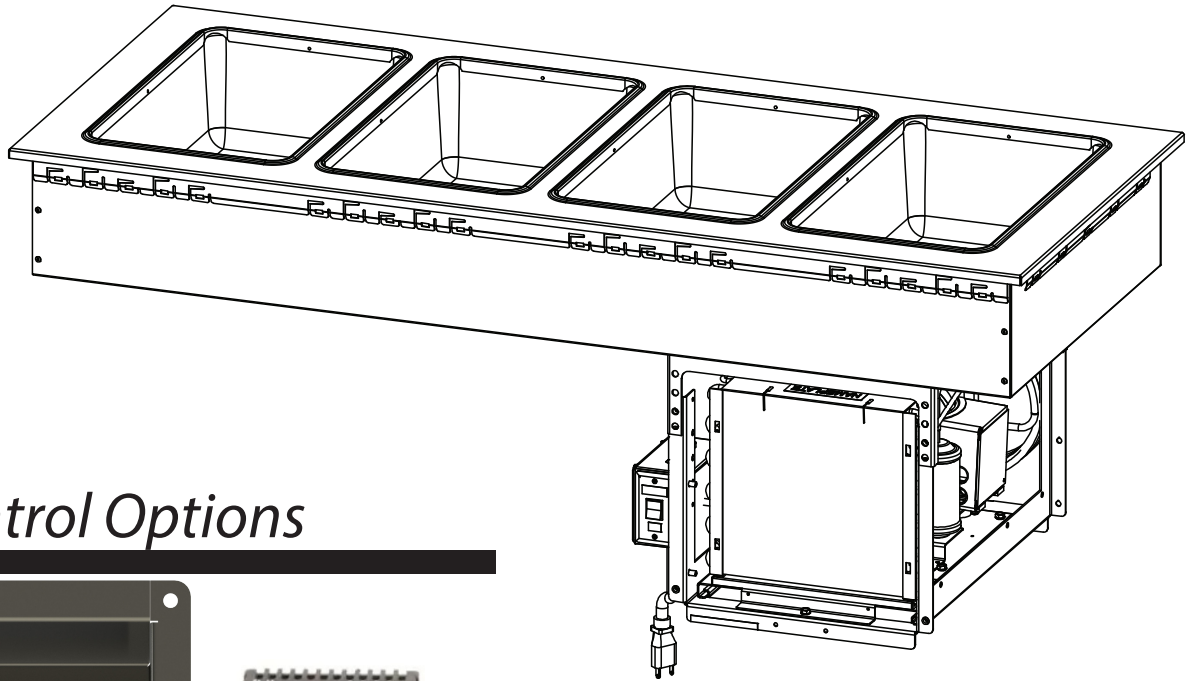


Your Solutions Partner

Illustrated Parts List

Flush Mount Cold Pan

Type:
Drop-In
Built-in



Control Options



CAUTION: Please read this manual completely before attempting to install, operate or service this equipment

*This manual is Copyright © 2022 Duke Manufacturing Co. All rights reserved.
Reproduction without written permission is prohibited. Duke is a registered
trademark of the Duke Manufacturing Co.*

FCP Model Number Convention Rev 10/24/22

FCP1-SB-120-DI-DC-D

Model Name
"FCP"

Flush Mount
Cold Pan Unit

of sections

- 1-6

Body Style

- SB -Standard Body
- SL -SlimLine 2-3 sections only

Voltage

- 120V

Configuration

- DI - Drop-in
- BI - Built-in

Control

- DC -Duke IOC-G
- BC -Basic Control (purchased) (opt)

Drain

- D -Drain
- ND -No Drain (opt)

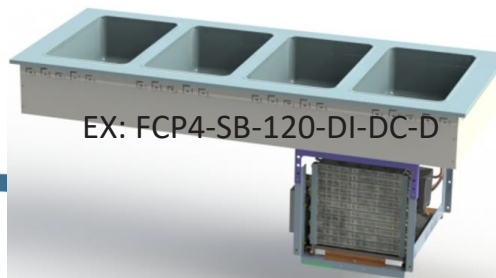




TABLE OF CONTENTS

Flush Mount Refrigeration Components.....5-7

Flush Mount Control Components/Drain.....8-9

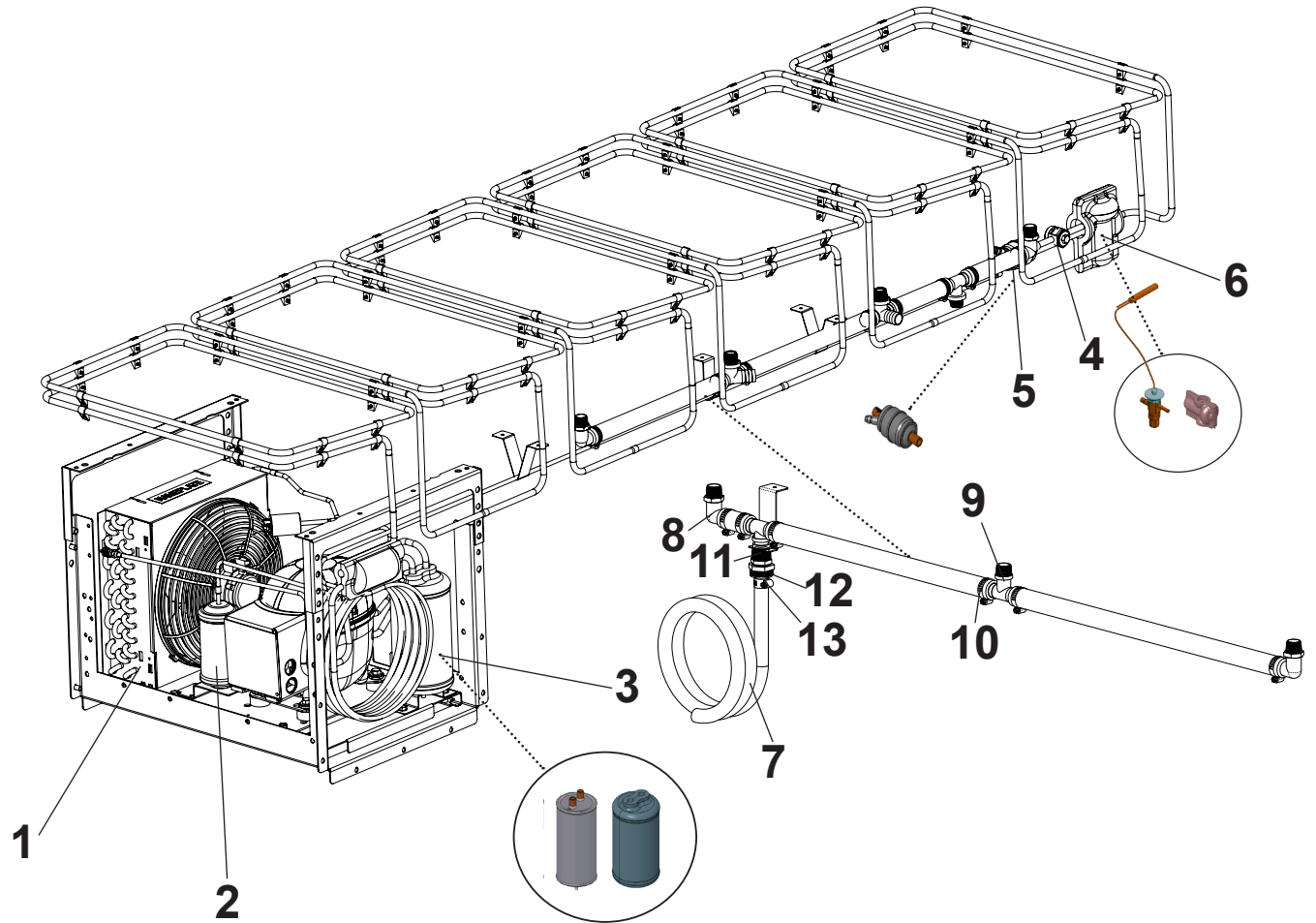
Flush Mount Refrigeration Flow Diagram.....10

Flush Mount Wire Diagram.....11

Notes.....12

FLUSH MOUNT COLD PAN CONDENSING UNIT GRAPHICS/PART #'S

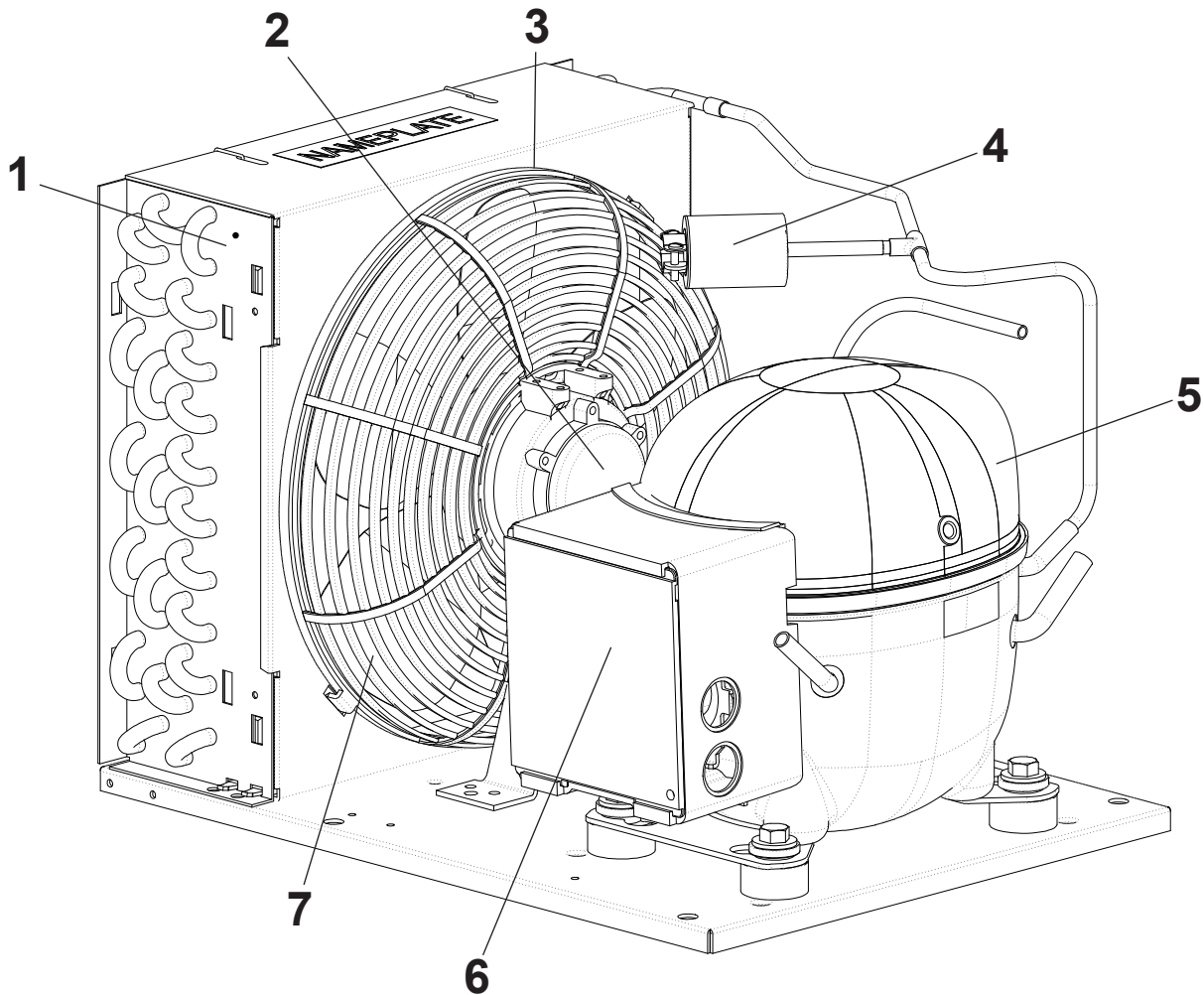
6 SECTION CONFIGURATION SHOWN



ITEM	PART #	DESCRIPTION	1M-N7	2M-N7	3M-N7	4M-N7	5M-N7	6M-N7
1	516823	Unit, Cond. ,(74/86)120v 60hz .1930btu/Hr M6zl-H054-laa-141			1	1	1	1
	516820	Unit, Cond. ,(36/48/60)120v 60hz .1300btu/Hr M6zl-H032-laa-141	1	1				
2	226052	Receiver, Parker P# Rt306v-Ts	1	1	1	1	1	1
3	226117	Accumulator, Sporlan 3" Dia. 3/8" Fittings 1bs	1	1	1	1	1	1
	526805	Insulation, Accumulator 3" Dia. 3/8" Fittings	1	1	1	1	1	1
4	216415	Glass,Sight Sa-12s Std#7	1	1	1	1	1	1
5	226039	Filter Drier, W/Pressure Tap C-032-S-T 1/4 Copper Conn	1	1	1	1	1	1
6	516851-1	Valve Txv Efd-1/3-Z 1/4"X3/8" Odf 60 Inch 48 Psi Flow Bench Setting					1	1
	526320-2	Valve Txv Efd-1/4-Z 1/4"X3/8" 44 Psi Flow Bench Setting		1				
	526320-3	Valve Txv Efd-1/4-Z 1/4"X3/8" 48 Psi Flow Bench Setting						
	216859	TXV Insulation	1		1	1		
7	213499	Tubing, 1/2"ld						
8	526064	Plastic Barbed Tube Fitting For Air And Water, Elbow Adpater, For 3/4" Tube Id X 1/2 Npt Male						
9	524524	Tee Adapter Plastic Barbed 3/4 Tube X 1/2 Npt Male						
10	223564	Clamp,Stainless #C16 Stainless						
11	224300	Adapter,Brass, Gardenhose 3/4"M Npt - 3/4"M G.h.						
12	213608	Fitting, Garden Hose Female 3/4" Thread - 1/2" Barb						
13	213234	Clamp,Hose 1/2"						

FLUSH MOUNT COLD PAN CONDENSING UNIT GRAPHICS/PART #'S

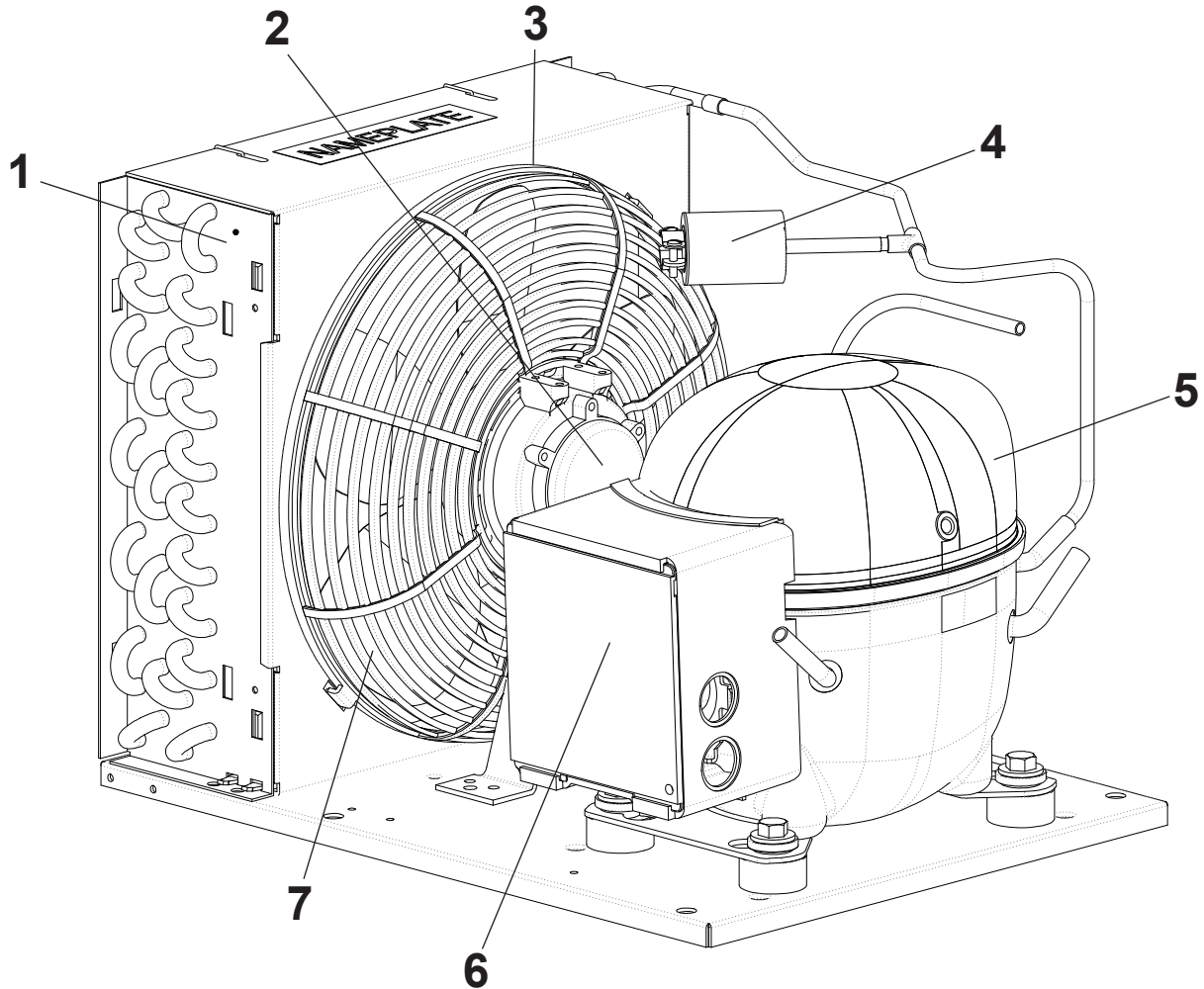
PART # 516823 SHOWN BELOW



ITEM	PART #	DESCRIPTION	QTY
1	227852	Coil Condenser 066-0337-05,	1
2	217851	Assembly,Fan Motor/Brkt 050-0300-00	1
3	227853	Guard Condr. Fan Use #527863	1
4	226407	Control,High Press.cutout 440 Cutout/325cutin	1
5	227854	Compressor AFE17C4E-IAA-901	1
6	227861	Compressor, Start Cap 914-0053-04, For 516803,516823	1
	227857	Relay 940-C411-89, For 516803, 516823	1
	227859	Protector 971-0561-48, For 516803, 516823	1
7	217819	Blade,Fan #083-0130-00 74-86 Trichn	1

FLUSH MOUNT COLD PAN CONDENSING UNIT GRAPHICS/PART #'S

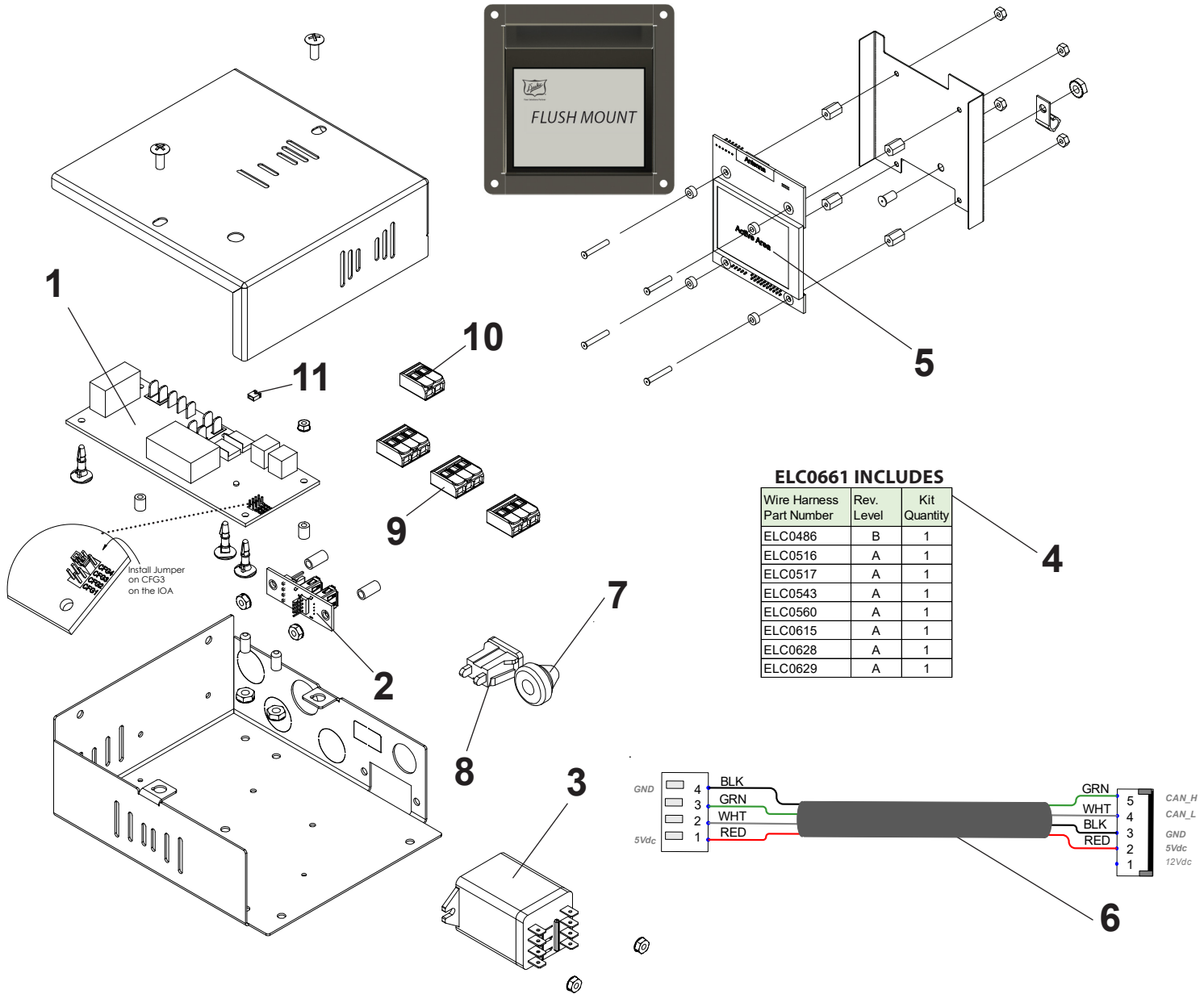
PART # 516820 SHOWN BELOW



ITEM	PART #	DESCRIPTION	QTY
1	227852	Coil Condenser 066-0337-05,	1
2	217851	Assembly,Fan Motor/Brkt 050-0300-00	1
3	227853	Guard Cond. Fan Use #527863	1
4	226407	Control,High Press.cutout 440 Cutout/325cutin	1
5	527844	Compressor,1/3hp 120v 60hz	1
6	227855	Start Cap Compressor 914-0053-00, For 516800, 516820	1
	227856	Relay 940-C411-72, For 516800, 516820	1
	227858	Protector 971-0554-28, For 516800, 516820	1
7	217819	Blade,Fan #083-0130-00 74-86 Trichn	1

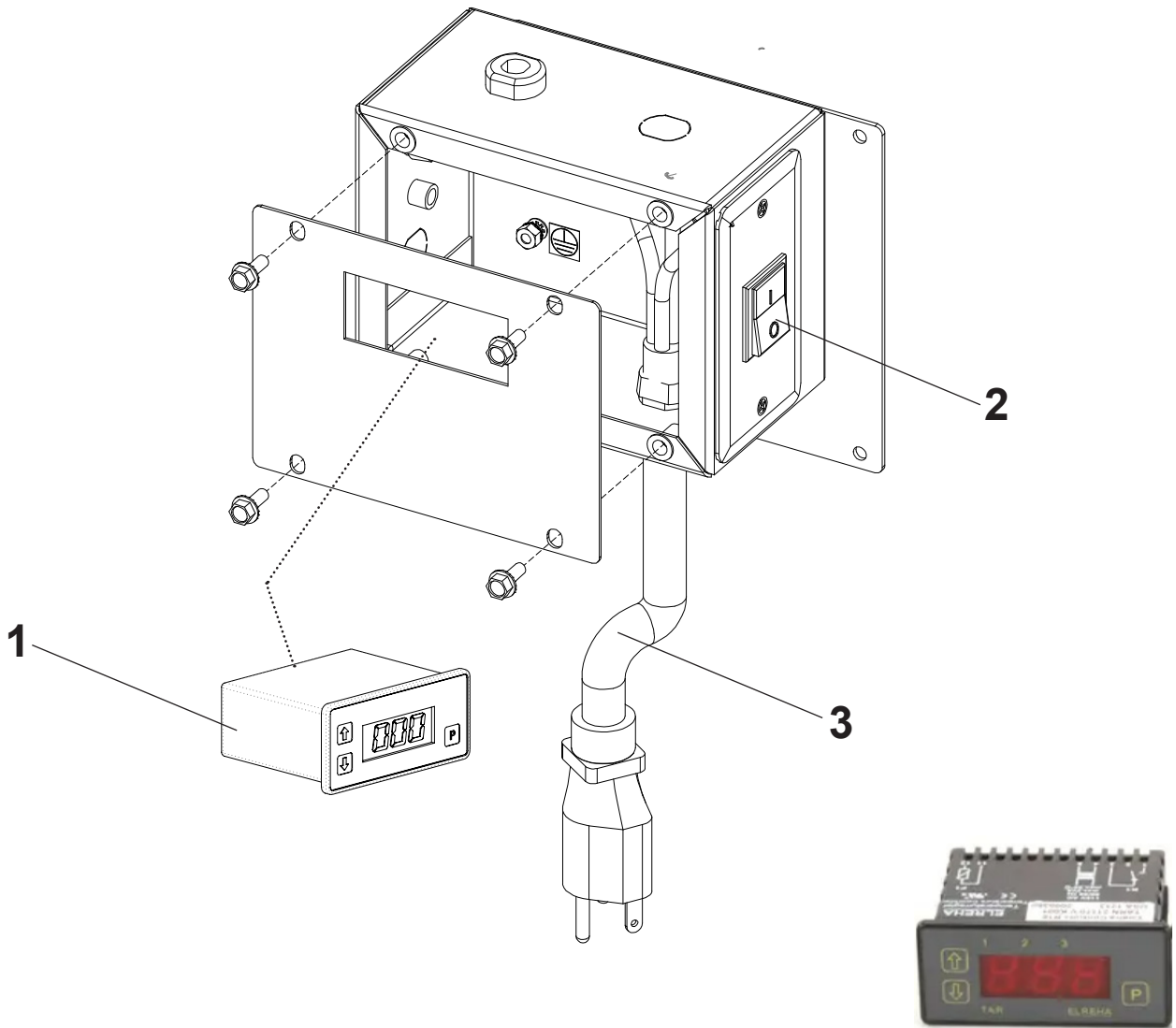
FLUSH MOUNT COLD PAN CONTROL GRAPHICS/PART #'S

IOA BOX, PART # ELC2002 SHOWN BELOW



ITEM	PART #	DESCRIPTION	QTY
1	600561	Kit, IOA Board Replacement	1
2	ELC0402K	Kit, Pcb Can Bus Replacement	1
3	115330	Relay,Dpdt,40a,120vac Coil	1
4	ELC0661	Wire Harness Kit For Elc2001 loa Box (1-Cold)	1
5	600575	Kit, loc-G Board Replacement	1
6	ELC0625	Harness – Box To IOC-G Pcb 72"	1
7	ELC0574	Heyco Epdm Snap-In Liquid Tight	1
8	ELC0575	Utility Outlet, Snap-In, Nema 1-15r	1
9	ELC0572	Splice Connector Wago 3-Position	3
10	ELC0571	Splice Connector Wago 2-Position	1
11	ELC0451	Shunt Jumper	


FLUSH MOUNT COLD PAN CONTROL GRAPHICS/PART #'S

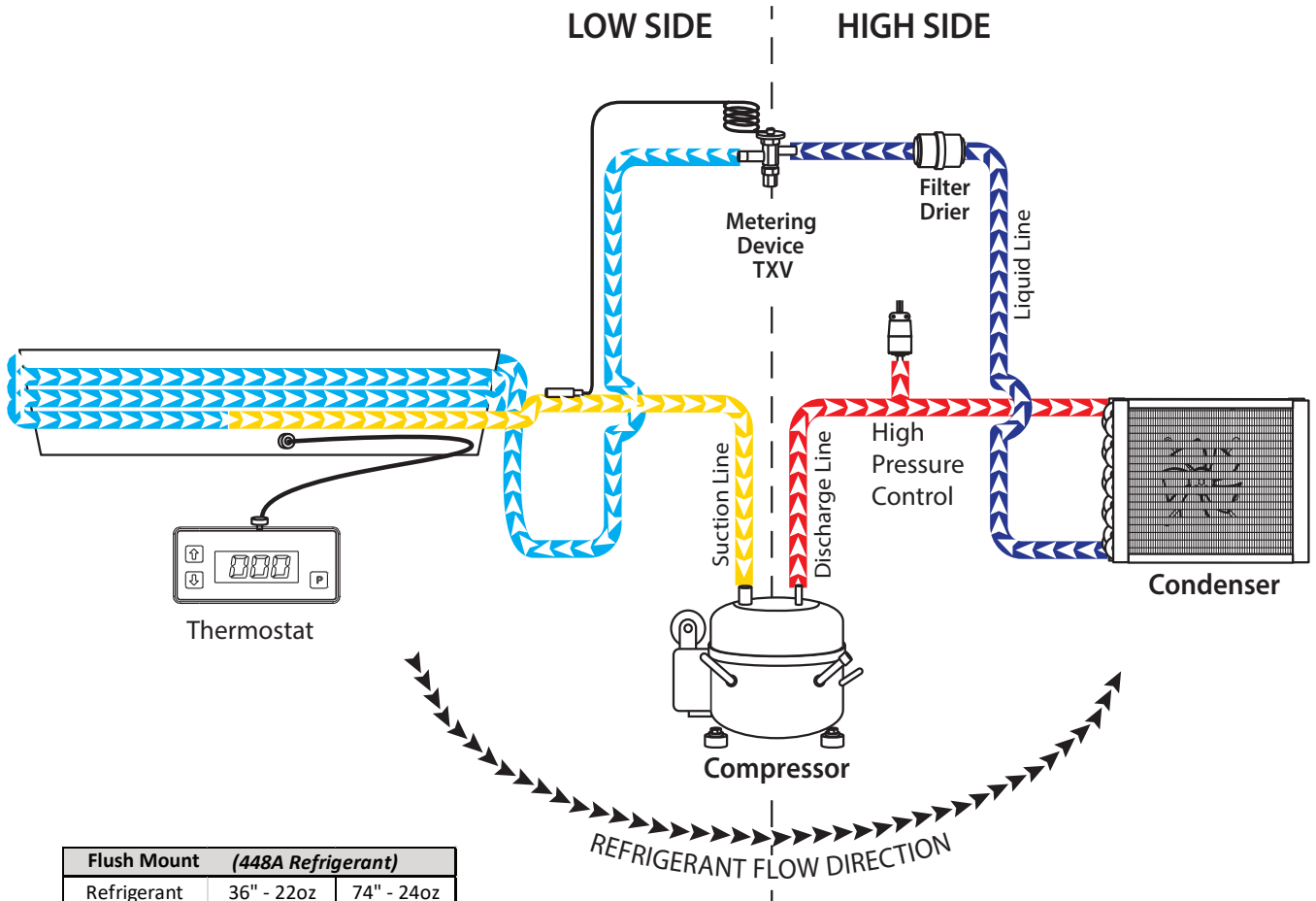


ITEM	PART #	DESCRIPTION	QTY
1	526814	Control Elreha, 120v Digital, Tarn 21170v K004, Includes Gasket, Faceplate & 1 Sensor	1
2	160406	Switch,Lighted,Dpst,20a @125v Lrgsck611-Ra-B-E-125n	1
3	522429	Cord, Power Asy. 15amp, 125v W/Terminals,Ruf/Rbc	1

FLUSH MOUNT COLD PAN REFRIGERATION FLOW DIAGRAM

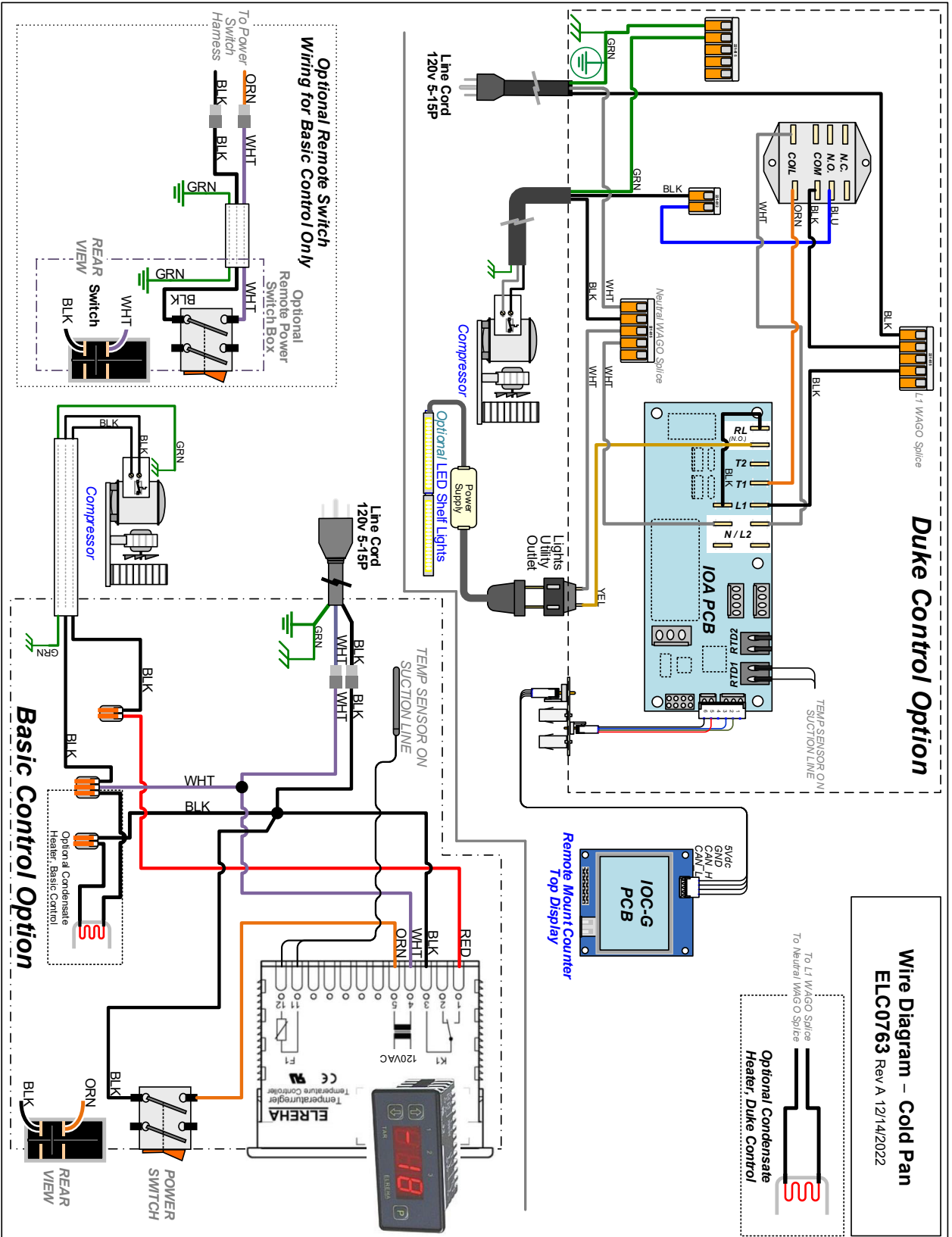
FLUSH MOUNT CP REFRIGERATION SYSTEM

-  High Pressure Gas
-  High Pressure Liquid
-  Low Pressure Liquid
-  Low Pressure Gas



Flush Mount (448A Refrigerant)		
Refrigerant Charge	36" - 22oz	74" - 24oz
	48/60" - 23oz	86" - 25oz
Superheat	4-10°	
Sub Cooling	10-15°	
LRA	26.5	41.5
RLA	7.3	10.7
Oil Type	POE 10oz	
Condenser Fan	120vac .36a	
Evaporator Fan	N/A	
High Pressure Range @75°	170-190 psig	220-250 psig
Low Pressure Range @75°	25-40 psig	10-20 psig
High Pressure Cut-Out	120vac 440	
High Pressure Cut-In	325	

FLUSH MOUNT COLD PAN WIRE DIAGRAM



NOTES



Duke Manufacturing Co.
2305 N. Broadway
St. Louis, MO 63102

Phone: 314-231-1130
Toll Free: 1-800-735-3853
Fax: 314-231-5074

www.dukemfg.com