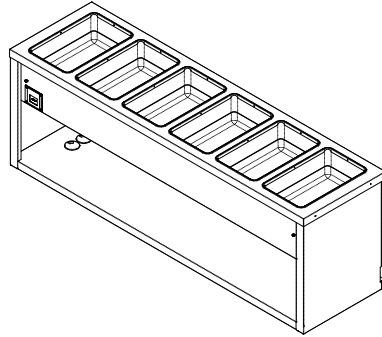




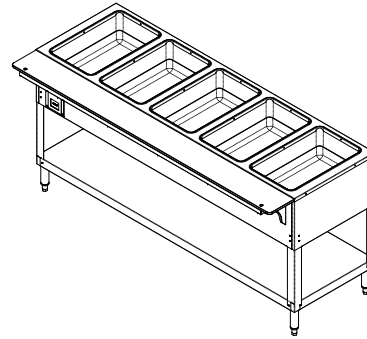
Your Solutions Partner

# Illustrated Parts List GANGED WATERLESS WELL MODELS

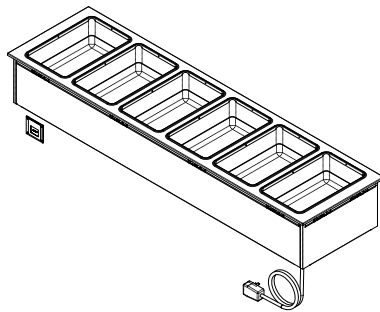
Aero Serve



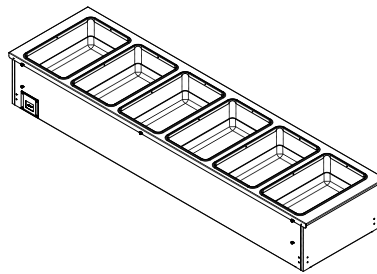
Aerohot



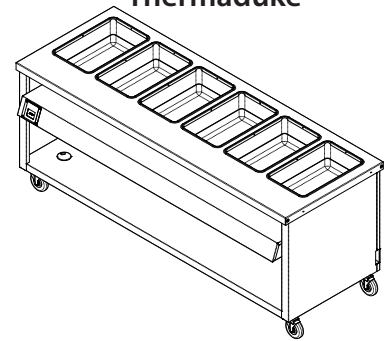
Drop-Ins



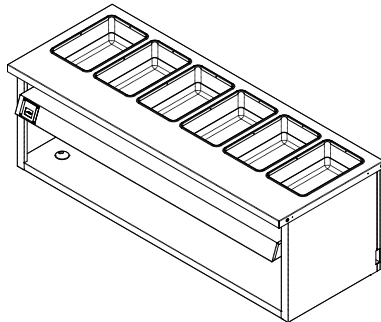
Slide-Ins



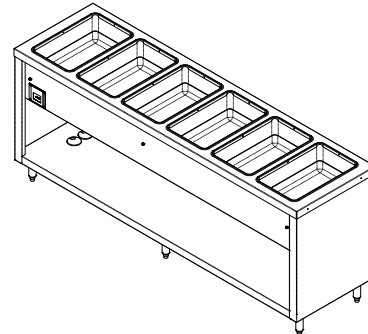
Thermaduke



Thermaduke Deluxe



Thermaduke Steam Tables



*This manual is Copyright © 2023 Duke Manufacturing Co. All rights reserved.  
Reproduction without written permission is prohibited. Duke is a registered  
trademark of the Duke Manufacturing Co.*

## Duke Manufacturing Co.

2305 N. Broadway • St. Louis, MO 63102

800.735.3853 • 314.231.1130

Fax: 314-231-5074

[www.dukemfg.com](http://www.dukemfg.com)

## How to Determine Manufacture Date from Duke Equipment Serial Numbers

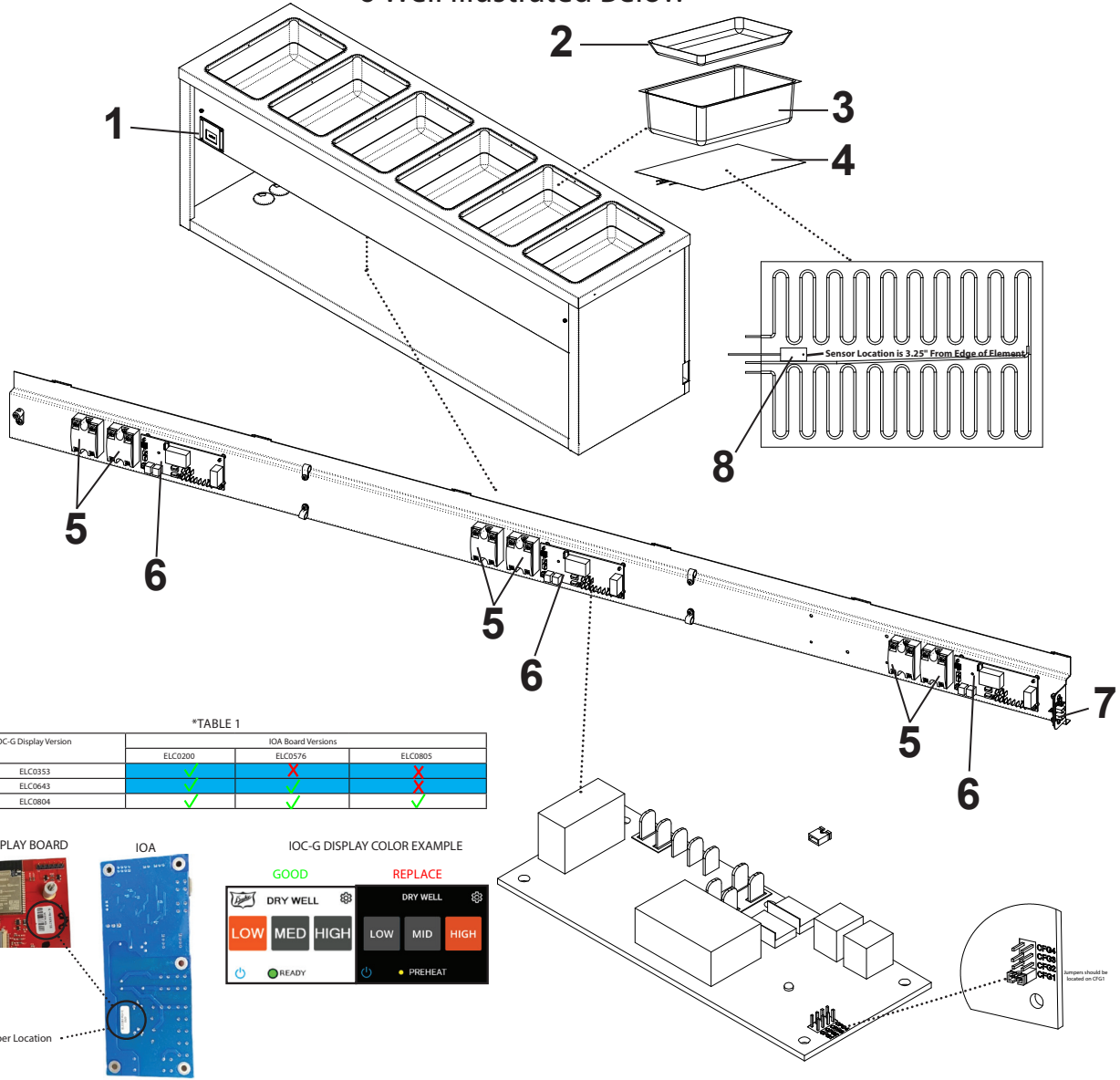


## TABLE OF CONTENTS

|  |      |
|--|------|
| Ganged Waterless Graphics & Part Numbers ..... | 4    |
| Wire Harness Graphics & Part Numbers .....     | 5    |
| Wire Harness Graphics & Part Numbers .....     | 6    |
| Hardware Graphics & Part Numbers .....         | 7    |
| Wiring Diagrams .....                          | 8-13 |

## GAINGED WATERLESS WELL - GRAPHICS & PART #'S

6 Well illustrated Below



\*TABLE 1

| IOC-G Display Version | IOA Board Versions |         |         |
|-----------------------|--------------------|---------|---------|
|                       | ELC0200            | ELC0576 | ELC0805 |
| ELC0353               | ✓                  | ✗       | ✗       |
| ELC0643               | ✓                  | ✗       | ✗       |
| ELC0804               | ✓                  | ✓       | ✗       |

IOC-G DISPLAY BOARD

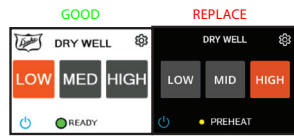


IOA



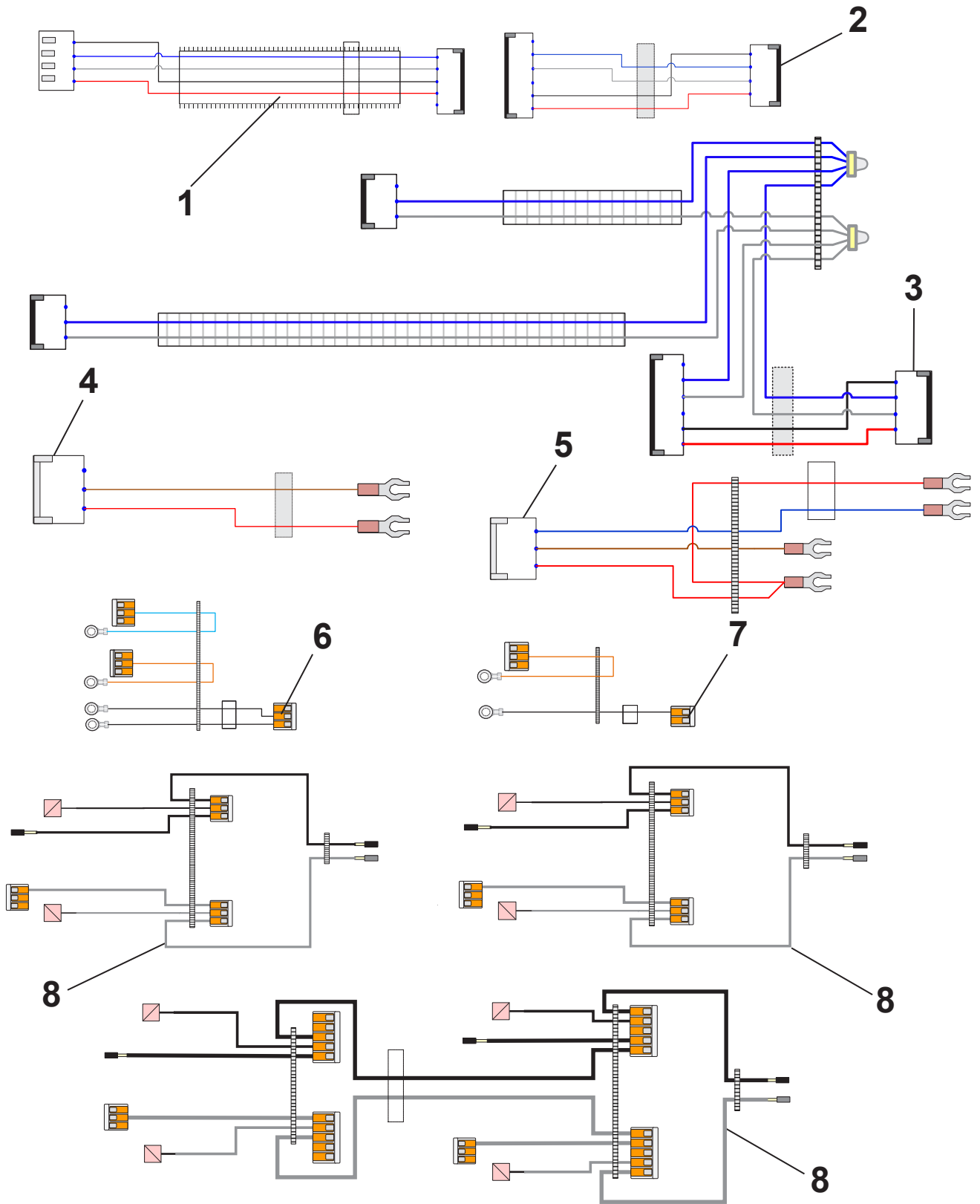
Part Number Location

IOC-G DISPLAY COLOR EXAMPLE



| Item | Part #   | Description   | Qty Per Well |        |        |        |        |        |
|------|----------|---|--------------|--------|--------|--------|--------|--------|
|      |          |   | 1 Well       | 2 Well | 3 Well | 4 Well | 5 Well | 6 Well |
| *1   | 600586   | Kit, loa Board Replacement ( <i>See Table 1</i> )                         | 1            | 1      | 1      | 1      | 1      | 1      |
| 2    | 524860   | Liner, Silicone, Heated Well, W/Logo                                      | 1            | 2      | 3      | 4      | 5      | 6      |
| 3    | 154363   | Well,Ss W/O Drain 20ga.   | 1            | 2      | 3      | 4      | 5      | 6      |
| 4    | 524847   | Heater, Foil Dual Voltage 120/208/240v 500/665w                           | 1            | 2      | 3      | 4      | 5      | 6      |
| 5    | 120005   | Ssr,25a 3-30vdc Trigger   | 1            | 2      | 3      | 4      | 5      | 6      |
| *6   | 600585   | Kit, loc-G Elc0804 Only Board Replacement ( <i>See Table 1</i> )          | 1            | 1      | 2      | 2      | 3      | 3      |
| 7    | ELC0402K | Kit, Pcb Can Bus Replacement  | 1            | 1      | 1      | 1      | 1      | 1      |
| 8    | 155750   | Rtd Assembly, 1000 Ohm - 24" Long   | 1            | 2      | 3      | 4      | 5      | 6      |
| *NS  | 600587   | Kit, Elc0804 loc-G & Elc0805 loa Board Replacement ( <i>See Table 1</i> ) |              |        |        |        |        |        |

### WIRING HARNESS - PARTS LISTING

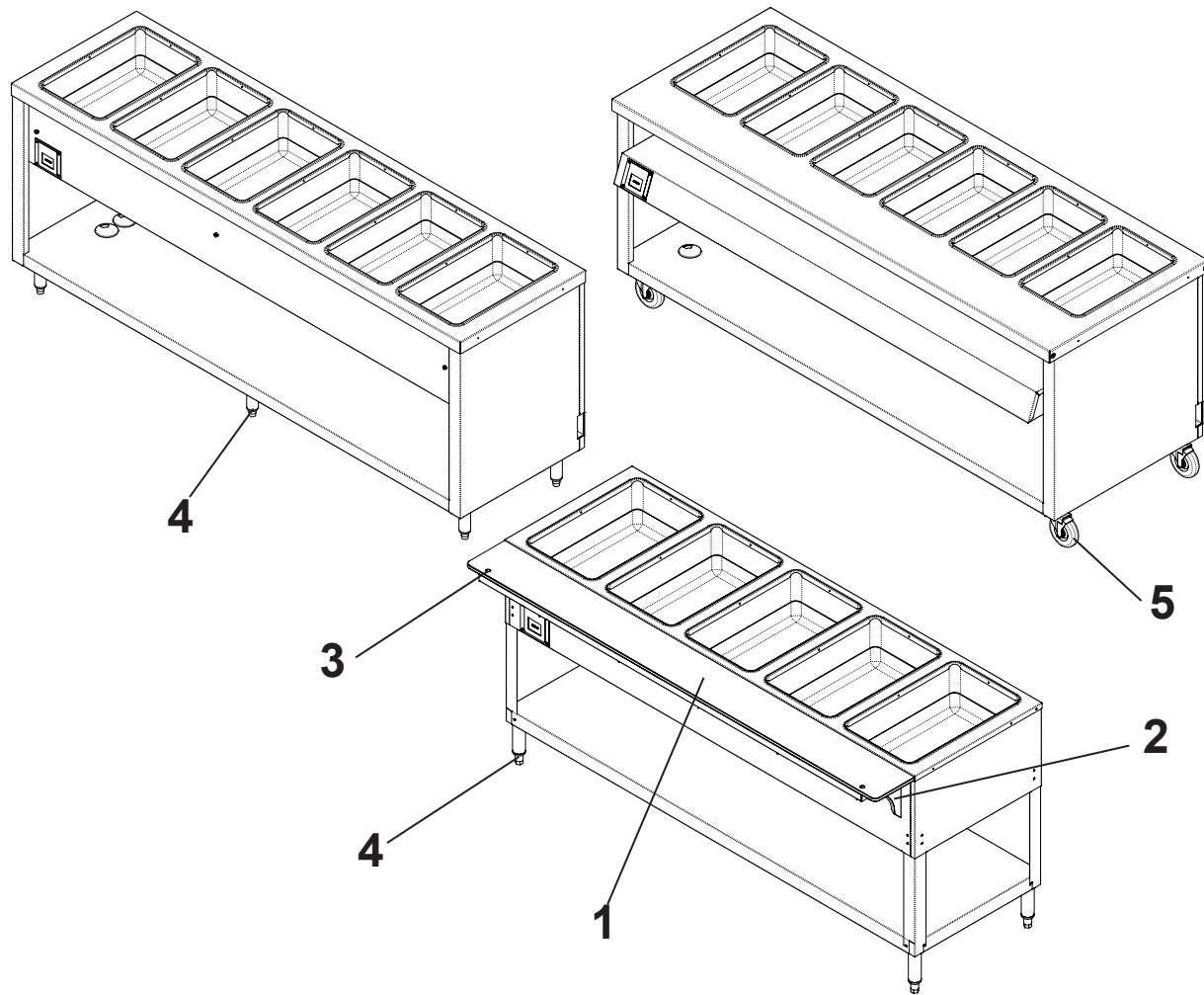


## WIRING HARNESS - PARTS LISTING

\* Needed Length Per Control Distance

| Item     | Part #  | Description                                 | Qty Per Well |        |        |        |        |        |
|----------|---------|---|--------------|--------|--------|--------|--------|--------|
|          |         |   | 1 Well       | 2 Well | 3 Well | 4 Well | 5 Well | 6 Well |
| *1 BI/SI | ELC0722 | Harness Box To loc-G 12"                    | opt          | opt    | opt    | opt    | opt    | opt    |
|          | ELC0723 | Harness Box To loc-G 24"                    | opt          | opt    | opt    | opt    | opt    | opt    |
| *1 DI    | ELC0440 | Harness - Box To loc-G Pcb 36"              | opt          | opt    | opt    | opt    | opt    | opt    |
|          | ELC0621 | Harness – Box To loc-G Pcb 48"              | opt          | opt    | opt    | opt    | opt    | opt    |
|          | ELC0625 | Harness – Box To loc-G Pcb 72"              | opt          | opt    | opt    | opt    | opt    | opt    |
|          | ELC0626 | Harness – Box To loc-G Pcb 96"              | opt          | opt    | opt    | opt    | opt    | opt    |
| 2        | ELC0543 | Jumper-Can & 5v                             | 1            |        | 1      |        | 1      |        |
| 3        | ELC0717 | Harness Control loa Dual To Can Inclusion   |              |        | 1      | 1      |        |        |
|          | ELC0718 | Harness Control loa Triple To Can Inclusion |              |        |        |        | 1      | 1      |
| 4        | ELC0714 | Harness Ssr Single 9"                       |              | 1      | 1      | 2      | 2      | 3      |
| 5        | ELC0715 | Harness Ssr Dual 9" And 12"                 |              | 1      | 1      | 2      | 2      | 3      |
| 6        | ELC0713 | Harness Heat Dual 10"                       | 1            |        | 1      |        | 1      |        |
| 7        | ELC0712 | Harness Heat Single 10"                     | 1            | 1      | 2      | 2      | 3      | 3      |

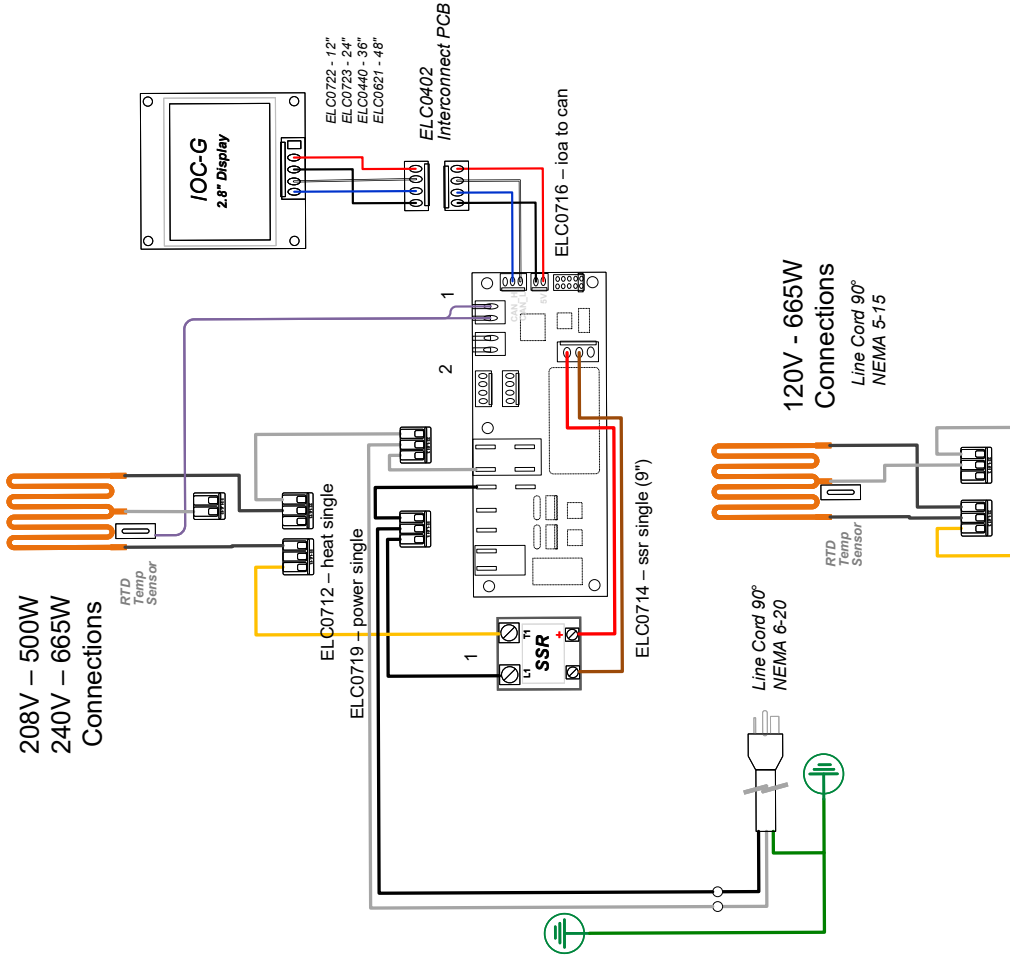
## HARDWARE - PARTS LISTING



| Item | Part # | Description   | Qty Per Well |        |        |        |        |        |
|------|--------|---|--------------|--------|--------|--------|--------|--------|
|      |        |   | 1 Well       | 2 Well | 3 Well | 4 Well | 5 Well | 6 Well |
| 1    | 215301 | Board,Crv Poly 30.375x7x1/2"--So Specs For 2 Section  |              | 1      |        |        |        |        |
|      | 215302 | Board,Crv Poly 44.375x7x1/2"--So Specs For 3 Section  |              |        | 1      |        |        |        |
|      | 215303 | Board,Crv Poly 58.375x7x1/2"--So Specs For 4 Section  |              |        |        | 1      |        |        |
|      | 215304 | Board,Crv Poly 72.375x7x1--So Specs For 5 Section   |              |        |        |        | 1      |        |
| 2    | 215574 | 2,3,4 Sec Carv. Bd Box--So Specs Fixed For 7" Wide Incl: All Hardware (For 2,3,And 4 Sec)           |              | 1      | 1      | 1      |        |        |
|      | 215575 | Box,5 Sec. Crv Board Pack   |              |        |        |        | 1      |        |
| 3    | 214728 | Stud,Position Ss Carv Brd Set Screw Length- 5/8"  |              | 2      | 2      | 2      | 3      |        |
| 4    | 215587 | Standard Elec. Fw Leg Box--So Specs Incl: (4) Angle Legs Incl: (4) Legs And Feet Incl: All Hardware |              | 1      | 1      | 1      | 1      |        |
|      | 214508 | Leg,Ss 1-5/8"X6" Adj.   | AR           | AR     | AR     | AR     | AR     | AR     |
| 5    | 214535 | Caster,5" W/Brk Swivel(6" Load Height,Plate,Polyure, 300 Lbs Per Caster                             |              | 4      | 4      | 4      | 6      | 6      |

# 1 WELL - WIRING DIAGRAM

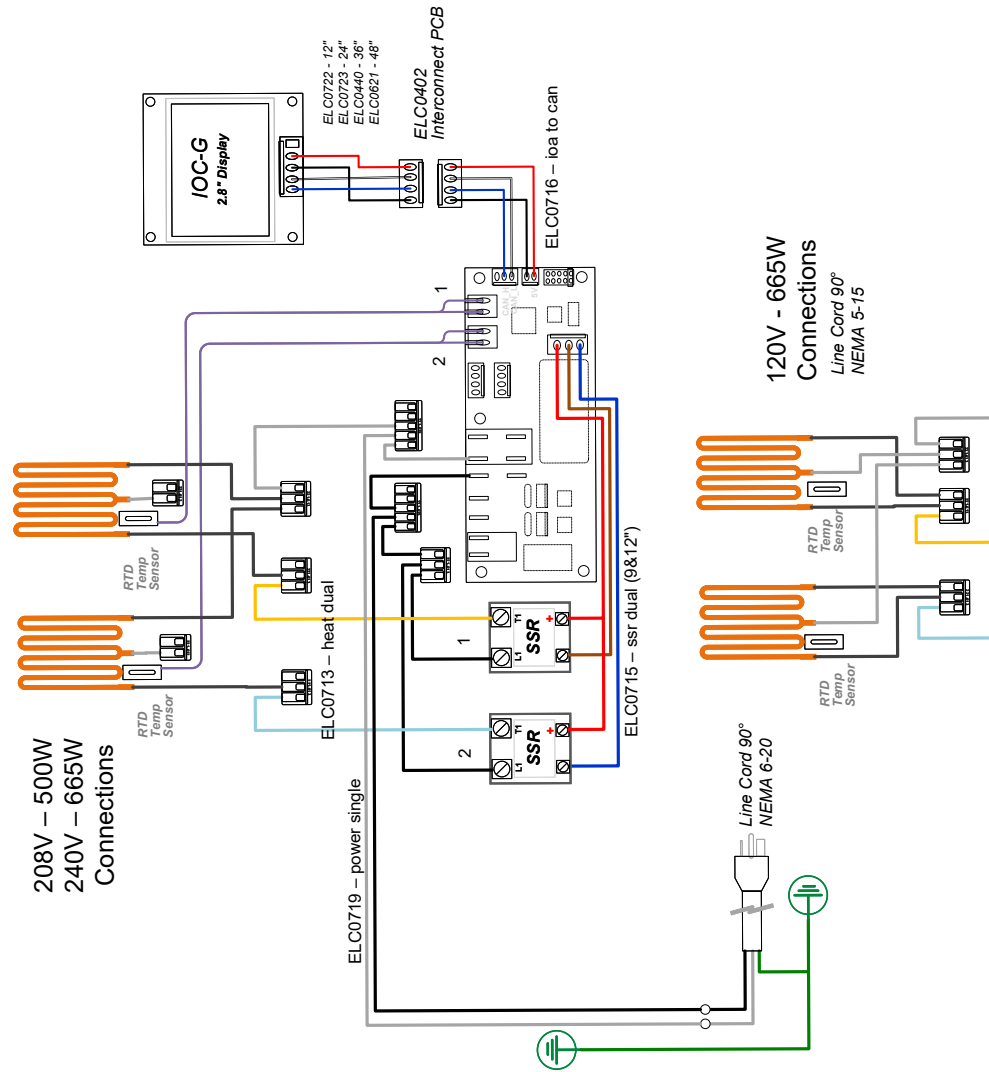
## 1 sec FW / INCLUSION WATERLESS WELL WIRING DIAGRAM – IOA / IOC-G – Single Phase





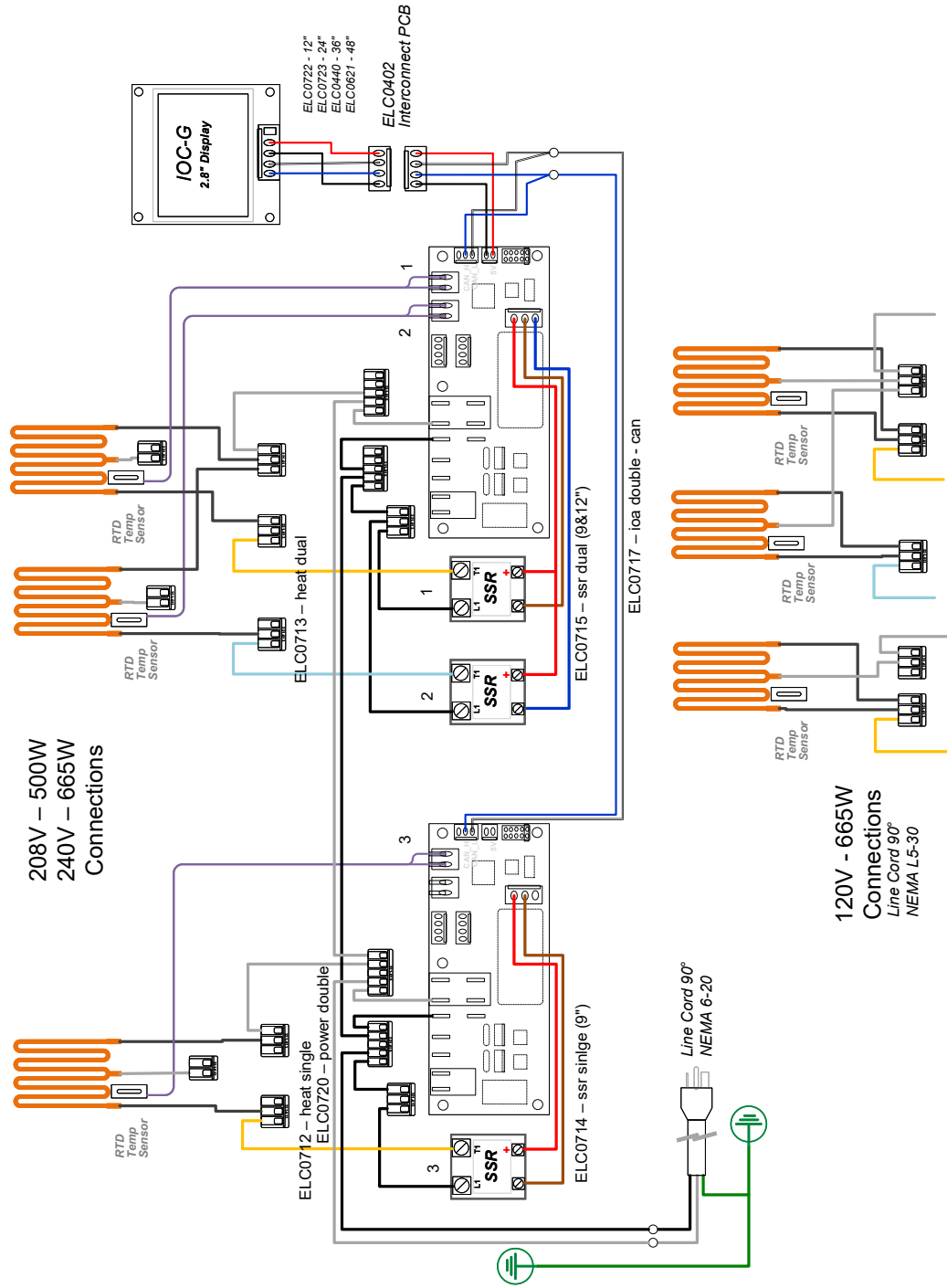
## 2 WELL - WIRING DIAGRAM

# 2 sec FW / INCLUSION WATERLESS WELL WIRING DIAGRAM – IOA / IOC-G – Single Phase



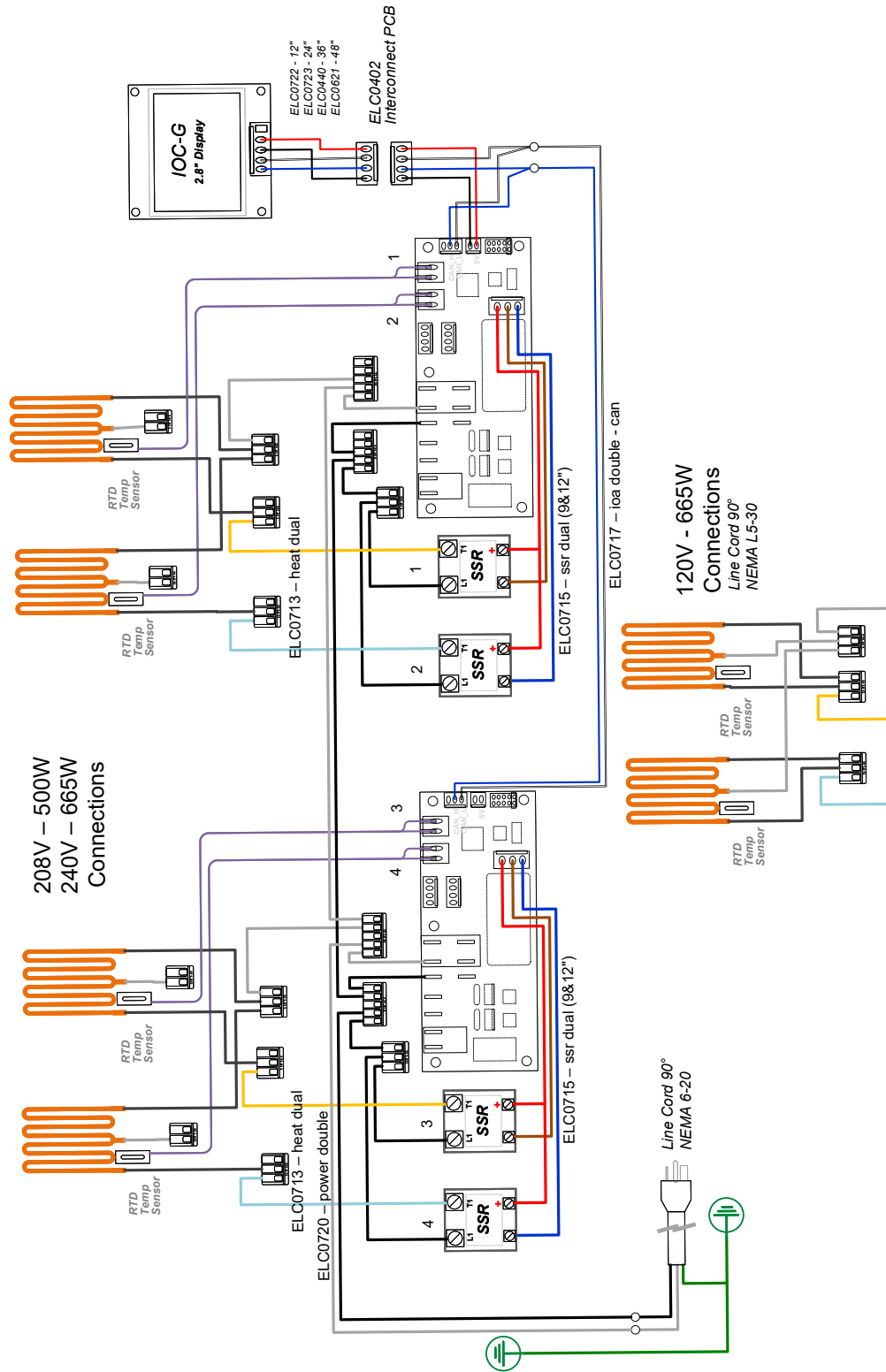
### 3 WELL - WIRING DIAGRAM

## 3 sec FW / INCLUSION WATERLESS WELL WIRING DIAGRAM – IOA / IOC-G – Single Phase



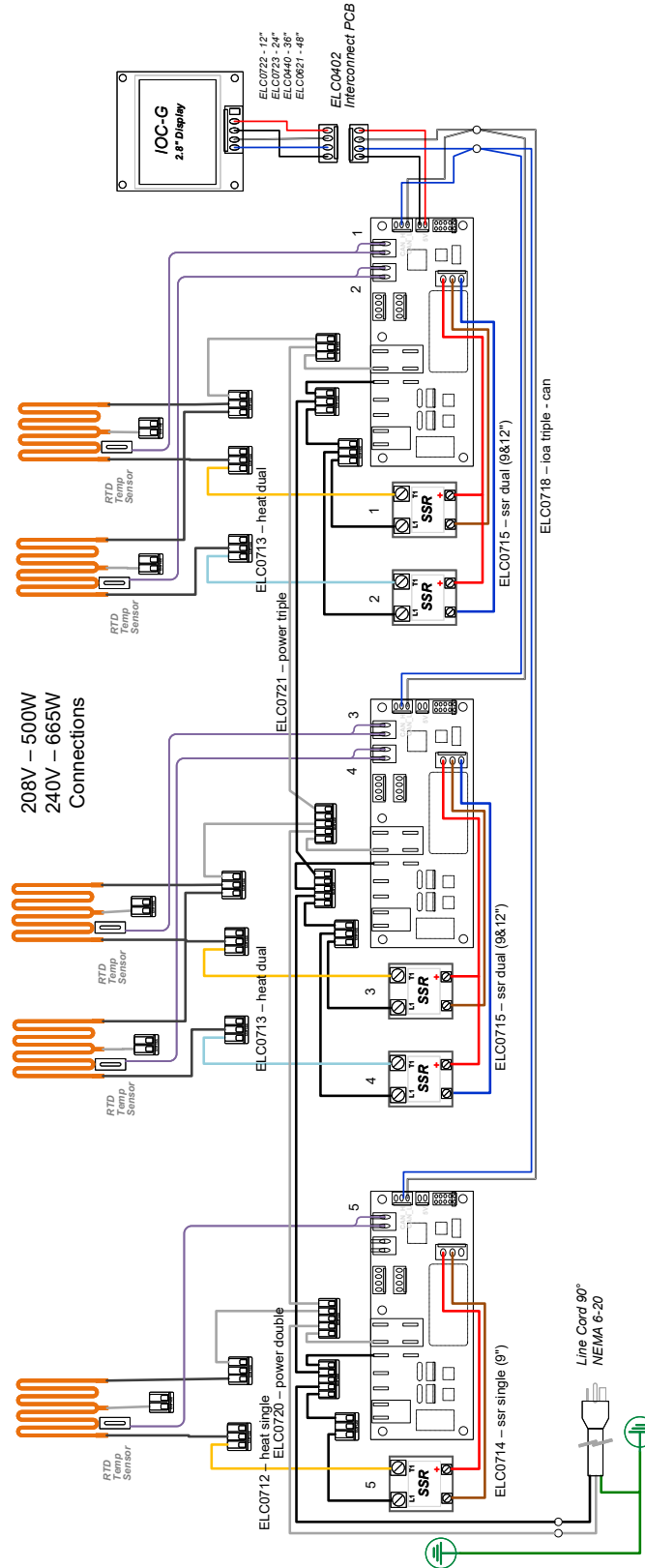
### 4 WELL - WIRING DIAGRAM

## 4 sec FW / INCLUSION WATERLESS WELL WIRING DIAGRAM – IOA / IOC-G – Single Phase



## 5 WELL - WIRING DIAGRAM

### 5 sec FW / INCLUSION WATERLESS WELL WIRING DIAGRAM – IOA / IOC-G – Single Phase





NOTES



Your Solutions Partner

## **Duke Manufacturing Company**

**2305 N. BROADWAY  
ST. LOUIS, MO 63102  
PHONE: 314-231-1130  
TOLL FREE: 1-800-735-3853  
FAX: 314-231-5074  
WWW.DUKEMFG.COM**