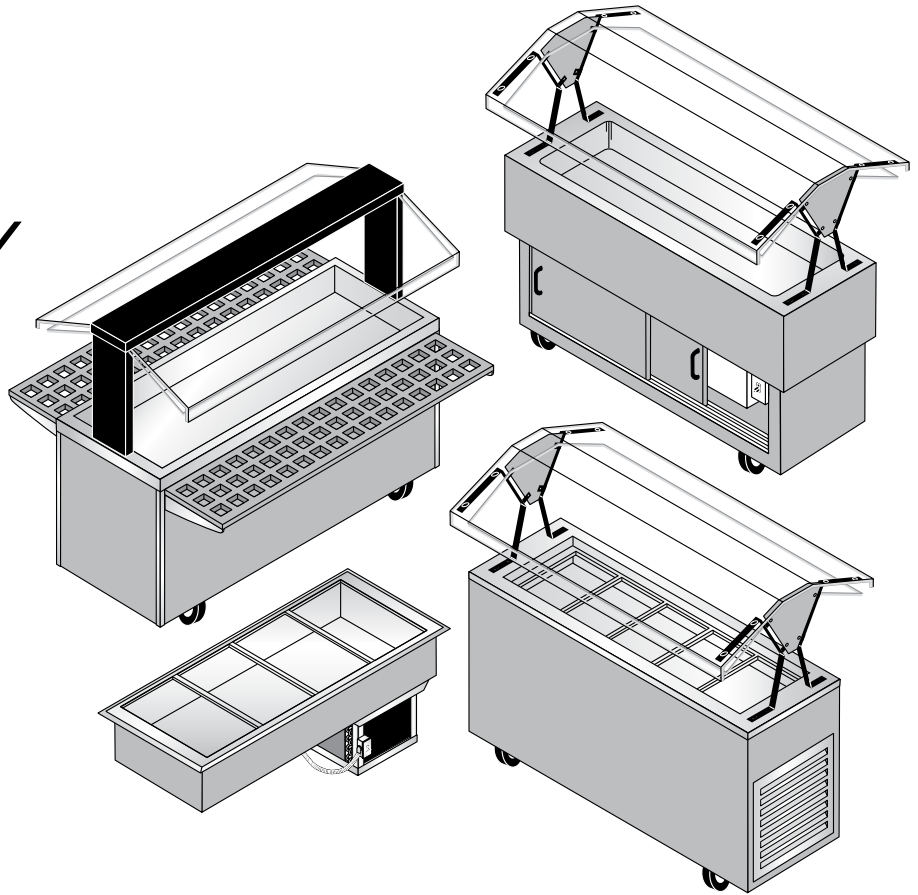




Illustrated Parts List

MECHANICALLY ASSISTED COLD PAN UNITS



Heritage

HB3CM – HB5CM

AeroServ

315-25 – 316-25 & 327-25,

Thurmaduke

(TCM-32, 46, 60, 74 & 88)

Next Generation

(NG32, 46, 60, 74C), (NG32, 46, 60, 74CP),

Duke Salad Bar

AHC-5M – 7M

*This manual is Copyright © 2016 Duke Manufacturing Company. All rights reserved.
Reproduction without written permission is prohibited. Duke is a registered
trademark of the Duke Manufacturing Company.*

Duke Manufacturing Company

2305 N. Broadway • St. Louis, MO 63102

800.735.3853 • 314.231.1130

Fax: 314-231-5074

www.dukemfg.com

MECHANICALLY ASSISTED COLD PAN UNITS – PARTS LIST

ITEM #	QTY.	PART NUMBER	DESCRIPTION
1	2	214535	5" Swivel Casters W/Brakes
2	2	214540	5" Swivel Casters W/O Brakes
3	4	214508	6" Adjustable Legs
4	1	214536	1" X 3 1/4" Drain with plug
5	1	214705	PVC Barb 3/8" X 3/8"
6	1	214706	Vinyl Tube – 3/8" ID .0625
7	1	214743	Globe Valve – 3/8" 125 PSI
8	1	214744	Galvanized Reducer 1" X 3/8"
9	1	AECY-BRKTS-UL	Canopy Brackets, painted (Used on Economates)
10	1	213813	Canopy, 5 section AHC Plexiglas (Used on Economates)
	1	213814	Canopy, 6 section AHC Plexiglas (Used on Economates)
	1	213815	Canopy, 7 section AHC Plexiglas (Used on Economates)
11	1	216401	1/4 HP Conditioning Unit
	1	216444	1/5 HP Hi Torque Cond. Unit small salad bars
12	1	212288	Switch, Illuminated – 120VAC
13	1	212170	Cord with Plug, 5-15 – 120VAC single phase
14	1	216528	Refrigerator Thermostat R134A

Table: PL-1 Mechanically Assisted Cold Pan Units

MECHANICALLY ASSISTED COLD PAN UNITS

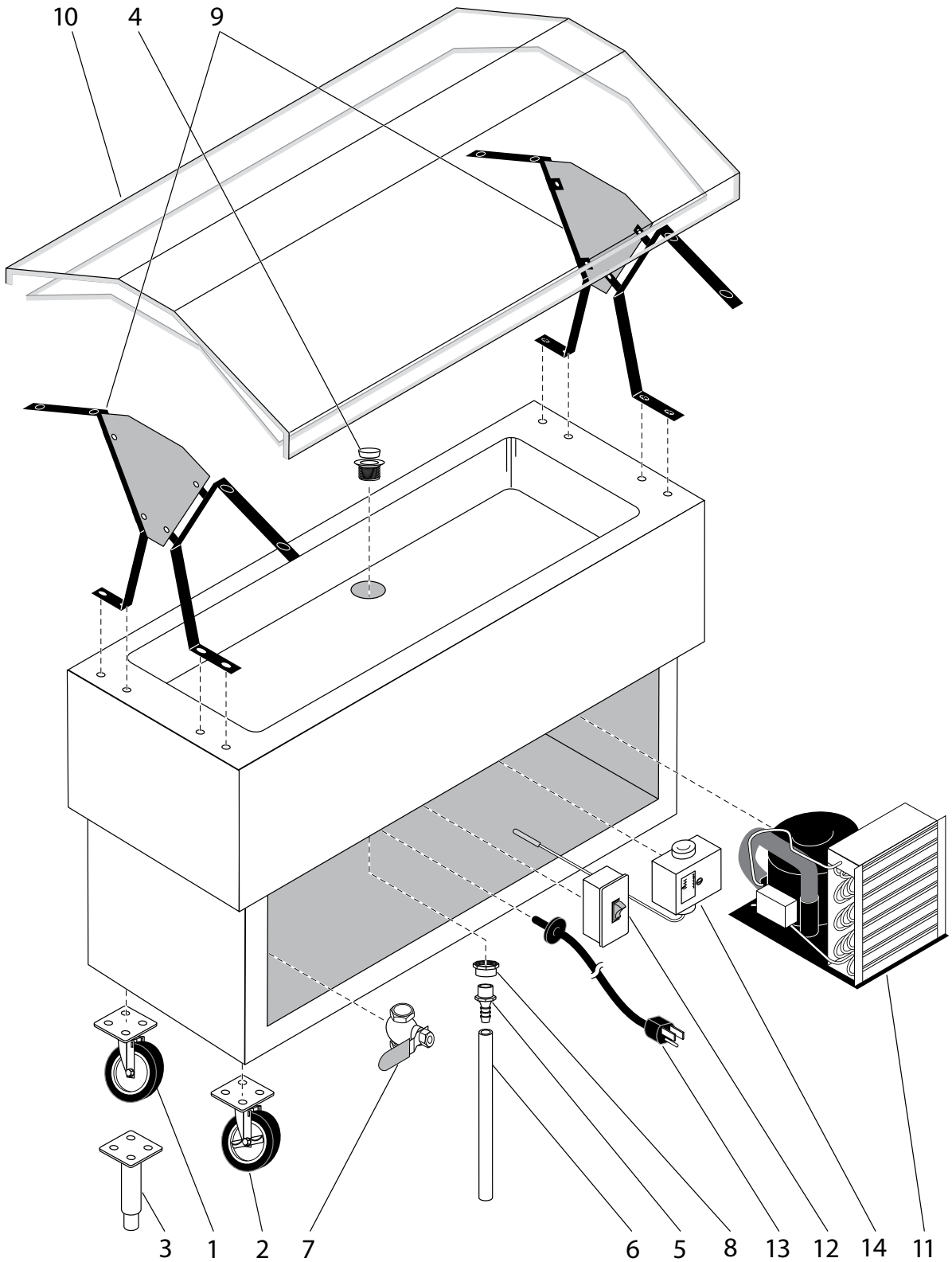


Figure: PL-1 Mechanically Assisted Cold Pan Units



Duke Manufacturing Company

2305 N. Broadway • St. Louis, MO 63102

800.735.3853 • 314.231.1130

Fax: 314-231-5074

www.dukemfg.com