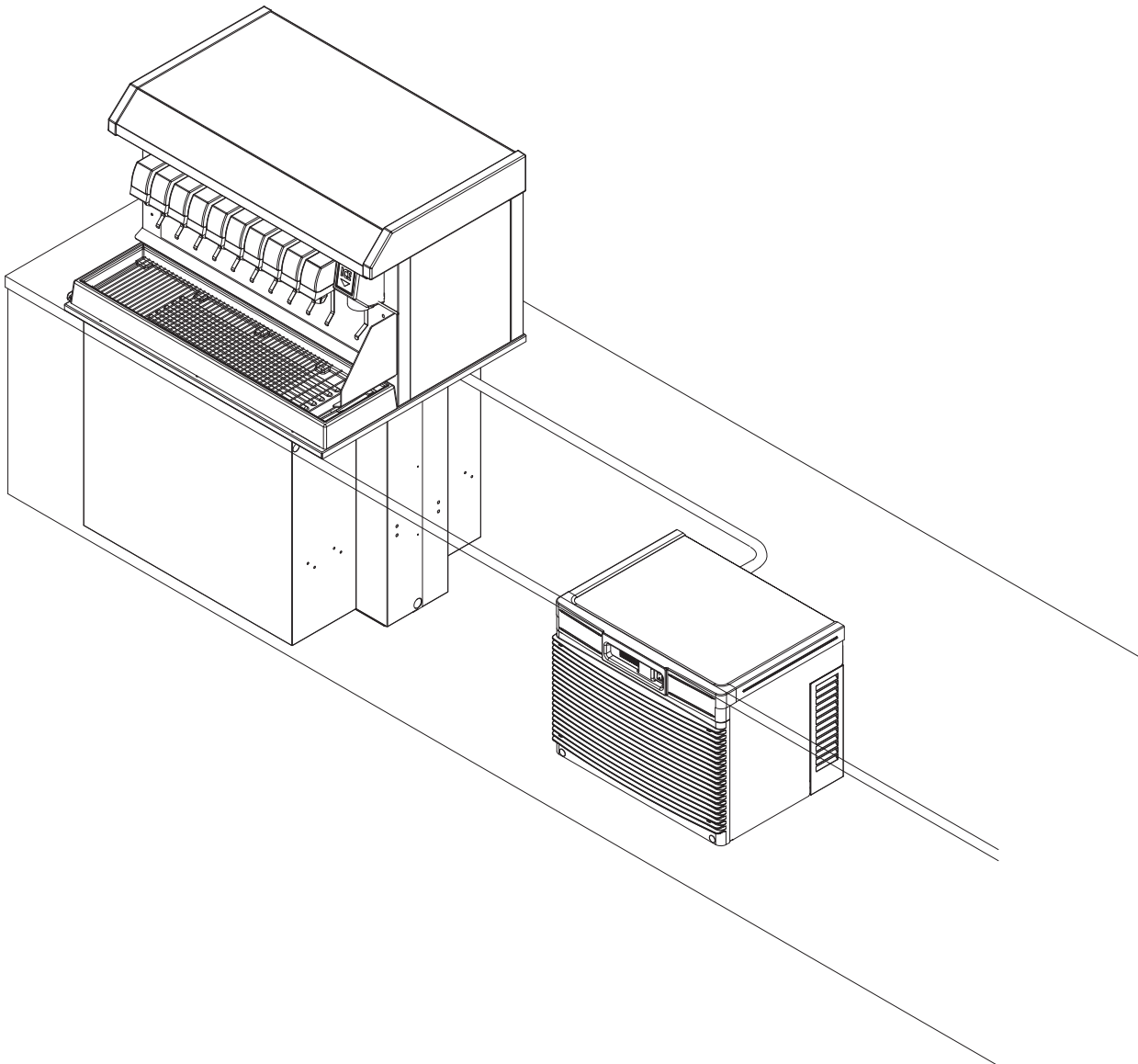
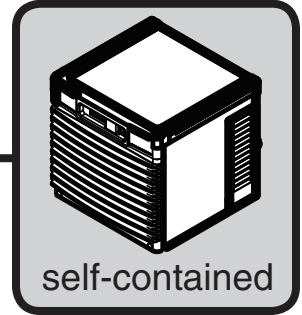


Horizon Elite™ Ice Machine Models with RIDE™ Technology Installation Instructions for Vision™

HCC/HMC/HCE/HME1010AVS, HCC/HMC/HCE/HME1410AVS,
HCC/HMC/HCE/HME1010WVS, HCC/HMC/HCE/HME1410WVS,
(See model number configurator on page 2 for details.)

Order parts online
www.follettice.com



Chewblet® Ice Machine Model Number Configurations


Icemaker	Voltage	Series	Condenser	Application	Configuration
MC Maestro™ Chewblet® (400 Series)	C 208-230/60/1 (icemaking head) <i>Self-contained only.</i>	400 up to 454 lbs (206kg)	A Air-cooled, self-contained W Water-cooled, self-contained	V Vision™ H Harmony™	S RIDE™ <i>(RIDE remote ice delivery equipment)</i>
HC Horizon Chewblet (1000, 1400, 1650 Series)	D 115/60/1 (icemaking head) <i>Self-contained and remote. If remote unit, high side is 208-230/60/1.</i>	1000/1010 up to 1036 lbs (471kg)	R Air-cooled, remote condensing unit N Air-cooled, no condensing unit for connection to parallel rack system	B Ice storage bin J Drop-in M Ice Manager diverter valve system	T Top-mount
HM Horizon Micro Chewblet	E 230/50/1 (icemaking head) <i>Self-contained only.</i> F 115/60/1 (icemaking head) <i>Remote only. High side is 208-230/60/3.</i>	1400/1410 up to 1450 lbs (658kg) 1650 up to 1580 lbs (717kg)			

CAUTION!


- This appliance should be connected by a qualified person in accordance with applicable codes.
- If the supply cord is damaged, it must be replaced by the manufacturer, its service agent or similarly qualified persons in order to avoid a hazard.
- Connect to potable water supply only.
- This appliance can be used by children aged 8 years and above and persons with reduced physical, sensory, or mental capabilities, or lack of experience and knowledge if they have been given supervision or instruction concerning use of the appliance in a safe way and understand the hazards involved. Children should be supervised to ensure that they do not play with the appliance.
- This appliance is intended to be used for household and similar applications such as staff kitchen areas in shops, offices and other working environments; farm houses and by clients in hotels, motels and other residential type environments; bed and breakfast type environments; catering and similar non-retail applications.
- **WARNING!** To avoid a hazard due to instability of the appliance, it must be fixed in accordance with the instructions.

Read and complete the following 8 installation steps


1 **Unpack** _____



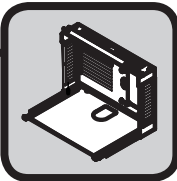
2 **Site preparation** _____




3 **Dispenser preparation** _____




4 **Louvered docking assembly** _____



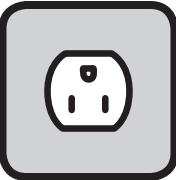
5 **Ice transport tube** _____



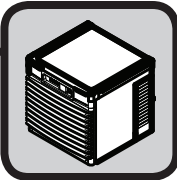
6 **External connection** _____



7 **Internal connection** _____



8 **Front cover** _____



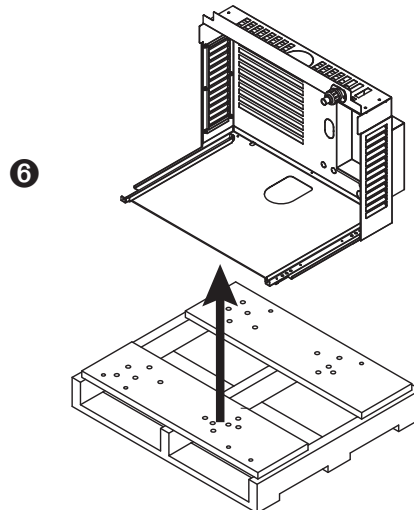
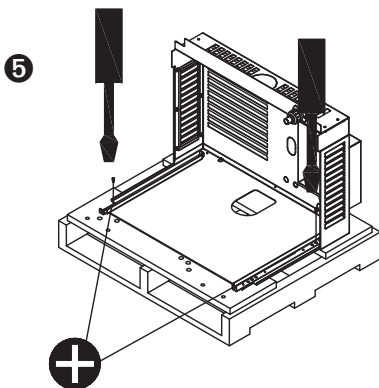
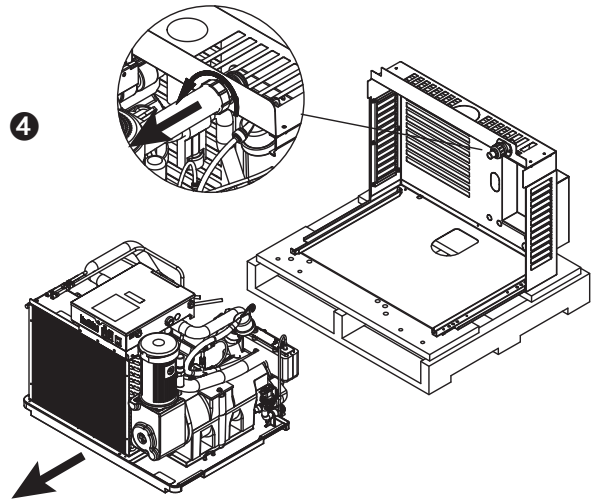
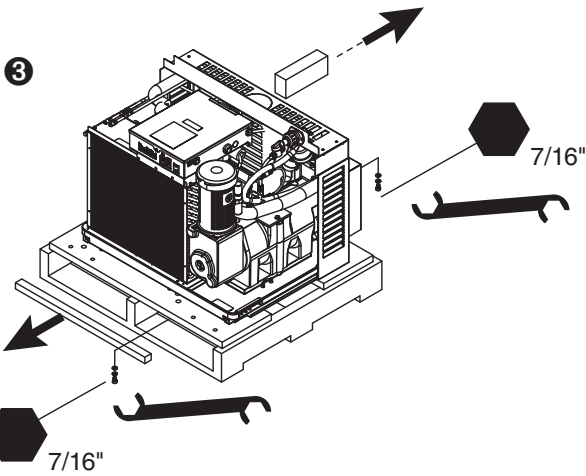
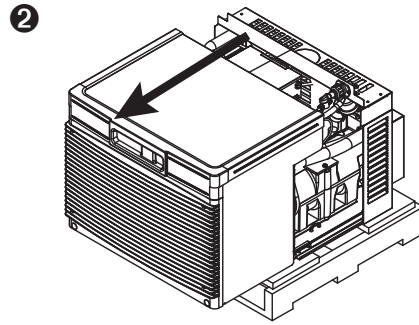
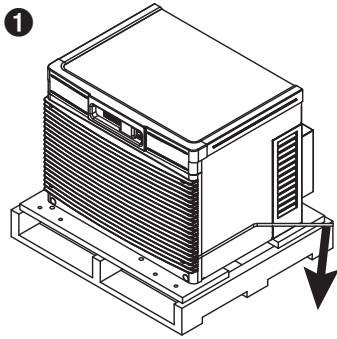
Carefully unpack and inspect the contents of your Follett ice machine.

Unpack

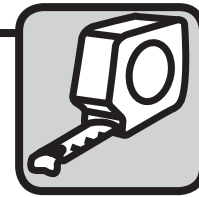
1



1.1 Unpack ice machine

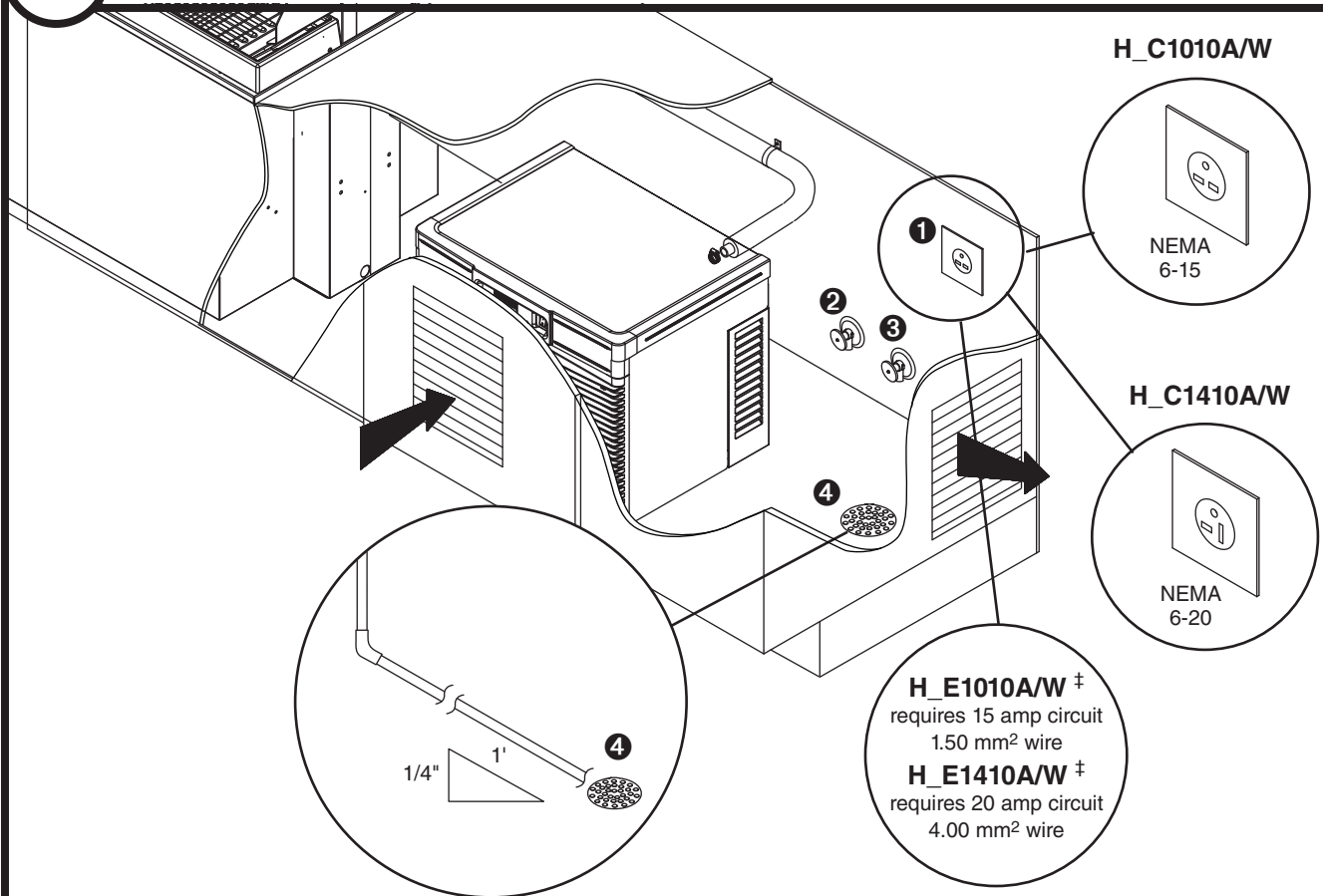


Prepare the installation site.



Provide drainage, water supply and electrical power to within 6 feet (2m) of ice machine in accordance with local and national codes. Outdoor installation is not recommended and will void warranty.

2.1 Installation site requirements



Electrical ①

- H_C1010(A/W)VS 208-230/60/1-15 amps
- H_E1010(A/W)VS 230/50/1-15 amps[‡]
(H_E1010A/W Requires 15 amp circuit 1.50 mm² wire)
- H_C1410(A/W)VS 208-230/60/1-20 amps
- H_E1410(A/W)VS 230/50/1-20 amps[‡]
(H_E1410A/W Requires 20 amp circuit 4.00 mm² wire)

‡ Plug must be provided by end user & must conform to standard EN 60 335-2-24 of the end destination.

Potable water supply ② (3/8" push-in internal connection, 3/8" OD tubing required)

- 10-70 psi (69-483kpa)
- 45 to 90 F (7 to 32 C)
- Follett recommends the use of an in-line water filtration system (item# 00130286)
- This equipment is to be installed with adequate backflow protection to comply with applicable federal, state, and local codes

Condenser water supply for water-cooled systems ③ (1/4" FPT inlet, 1/4" FPT outlet)

- 10 psi min.; 150 psi max. (69kpa min.; 1034kpa max.)
- 45 to 90 F (7 to 32 C)
- 1.5 gallons per minute (5.68 liters per minute)

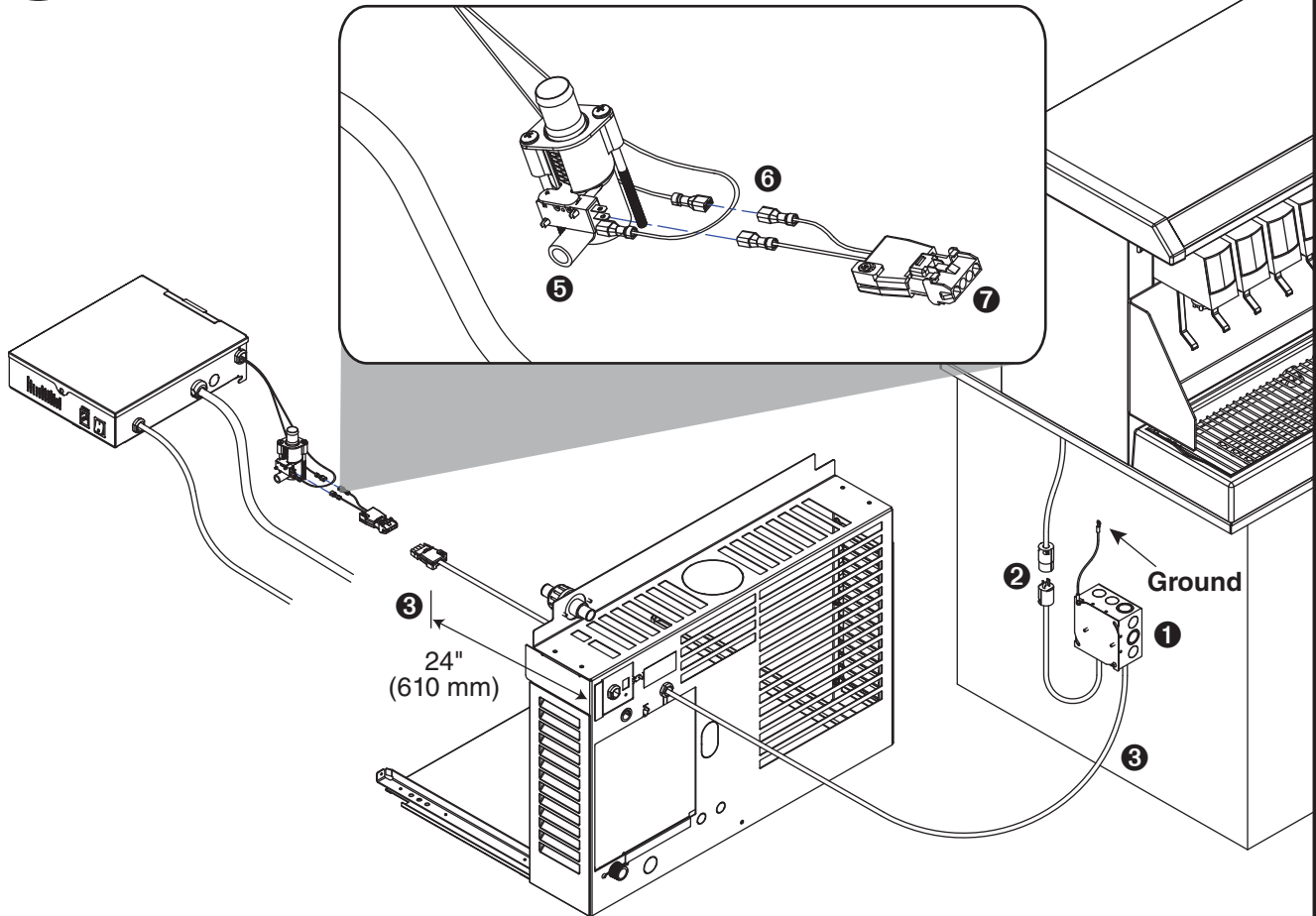
Drain ④ (3/4" MPT)

- The drain line from the ice machine must have at least 1/4" per foot pitch (6,4mm/0,3m)

Prepare the dispenser.



3.1 Bin Signal Installation

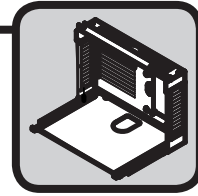


- Mount the electrical box to the side of the Vision dispenser ① to establish a ground connection. **Note:** If a 4 x 4 box is mounted to a non-grounded surface, connect ground wire at an appropriate ground.
- Connect the bin signal plug on the electrical box to the bin signal cord on the bin ②
- Insert 16" (609,6 mm) of the long bin signal cable ③ into the hole in the back of the louvered docking station ④ and secure in place with strain relief provided.
- After sliding the ice machine module into the louvered docking station, disconnect one wire from shuttle switch and replace with wire from adapter plug. ⑤
- Connect wire removed from shuttle switch to male connector on adapter plug wire. ⑥
- Complete normal installation procedure for the ice machine using the installation manual that shipped with the ice machine.
- Connect adapter plug into bin signal plug. ⑦

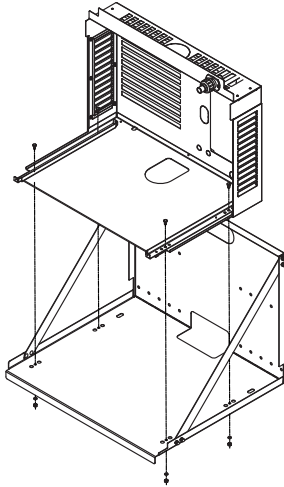
Install the louvered docking assembly.

WARNING

- Docking station must be secured in accordance with these instructions to ensure ice machine stability.
- Ventilation openings in the louvered docking station should be clear of obstruction

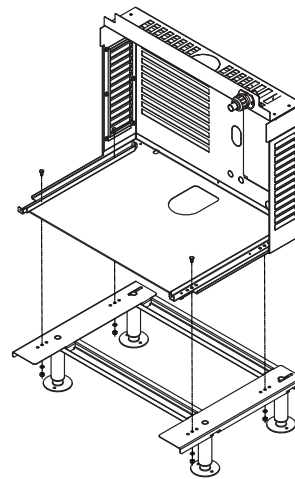


Wall bracket accessory



- Mount louvered docking assembly to wall bracket accessory

Machine stand accessory



- Mount louvered docking assembly to machine stand accessory

4.1 Undercounter installation requirements Horizon 1010 & 1410 series

DOCKING STATION: Horizon 1010 & 1410 water- and air-cooled models

(See detail drawing on page 9)

- Position and screw louvered docking assembly to the bottom of counter inside of access panel/door 2" (51 mm) from the front edge of the cross brace ❶
- The mounting surface for the louvered docking assembly must be solid. Do not mount directly onto runners or channels.
- There must be no lip or edge that would hinder the ice machine from sliding in or out of the louvered docking station ❷

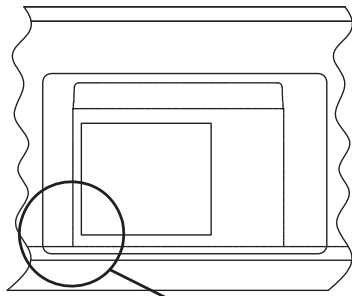
INTAKE AND EXHAUST GRILLE PLACEMENT: Horizon 1010 & 1410 air-cooled models only

(See detail drawing on page 9)

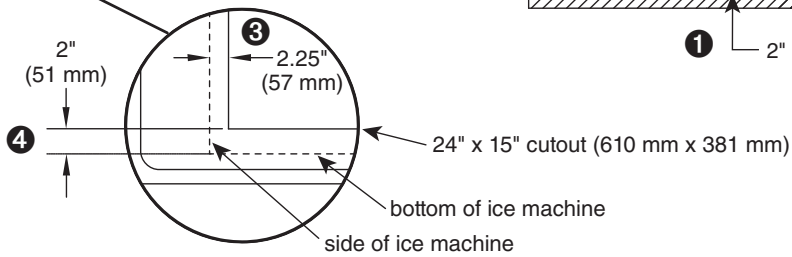
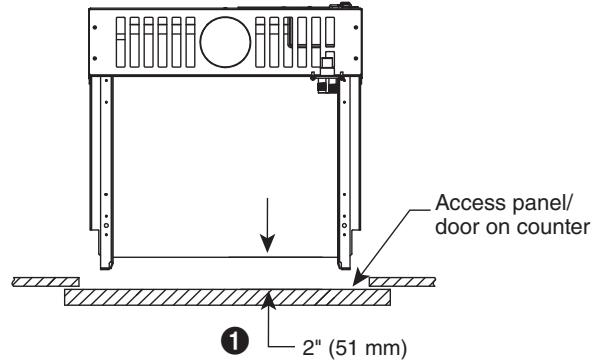
- Position the intake grille cut out in the access panel/door
 - Note:** Ice machine must be aligned with cut out and inside of access panel to provide a tight seal and prevent recirculation of hot exhaust air.
- Left edge of cutout should be 2.25" (57 mm) from the left side of the ice machine ❸
- Bottom edge of cutout should be 2" (51 mm) from the bottom of the ice machine ❹
- Position supplied exhaust grille at least 18" (458mm) away from intake grille ❺. Where possible, install exhaust grille to the rear or side of the base cabinet.
- If not using supplied grille, air circulation requirements below must be met: 250 sq. in (1613 sq cm) intake air, 250 sq. in (1613 sq. cm) exhaust air

Undercounter installation detail – Horizon 1010 & 1410 series

Front View



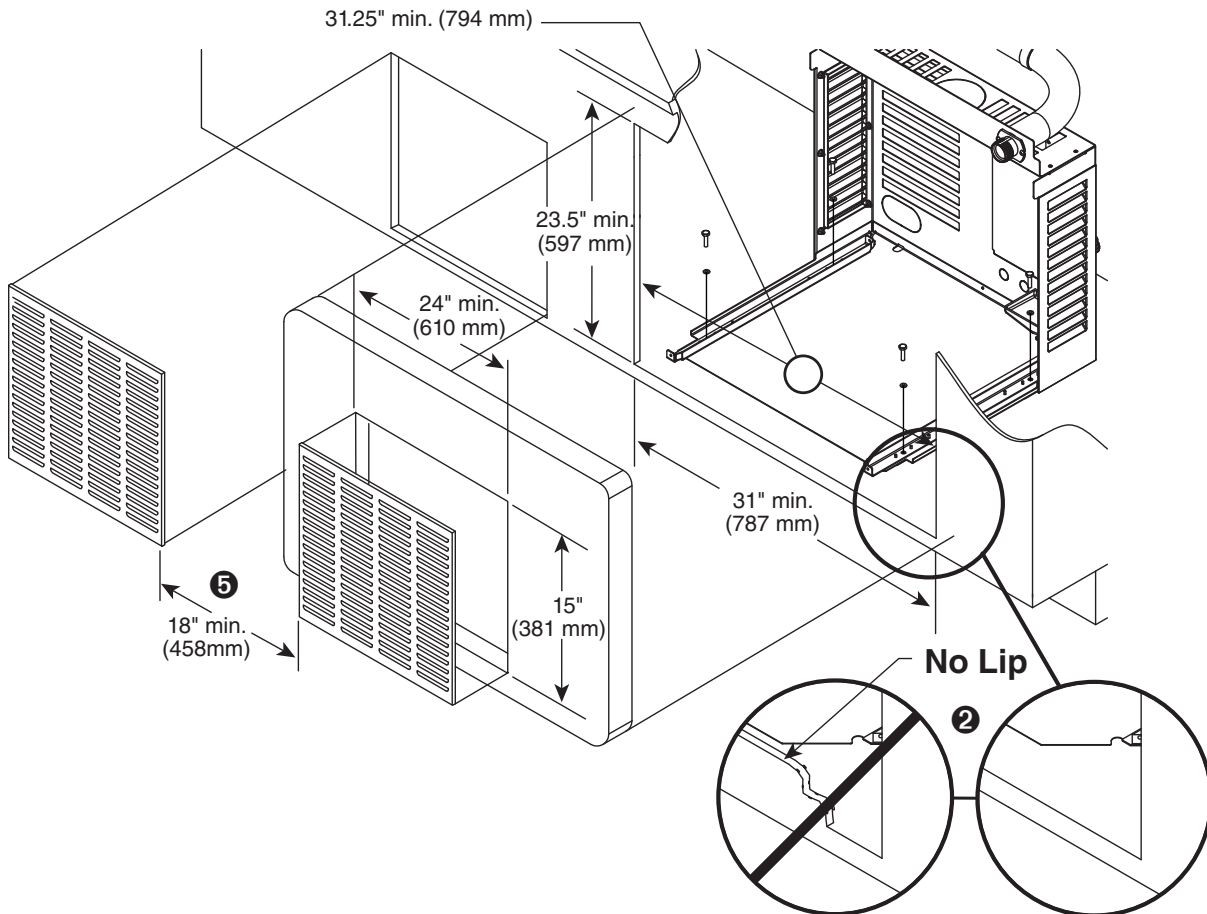
Top View

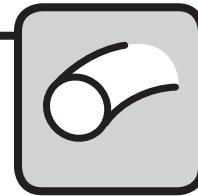


CAUTION

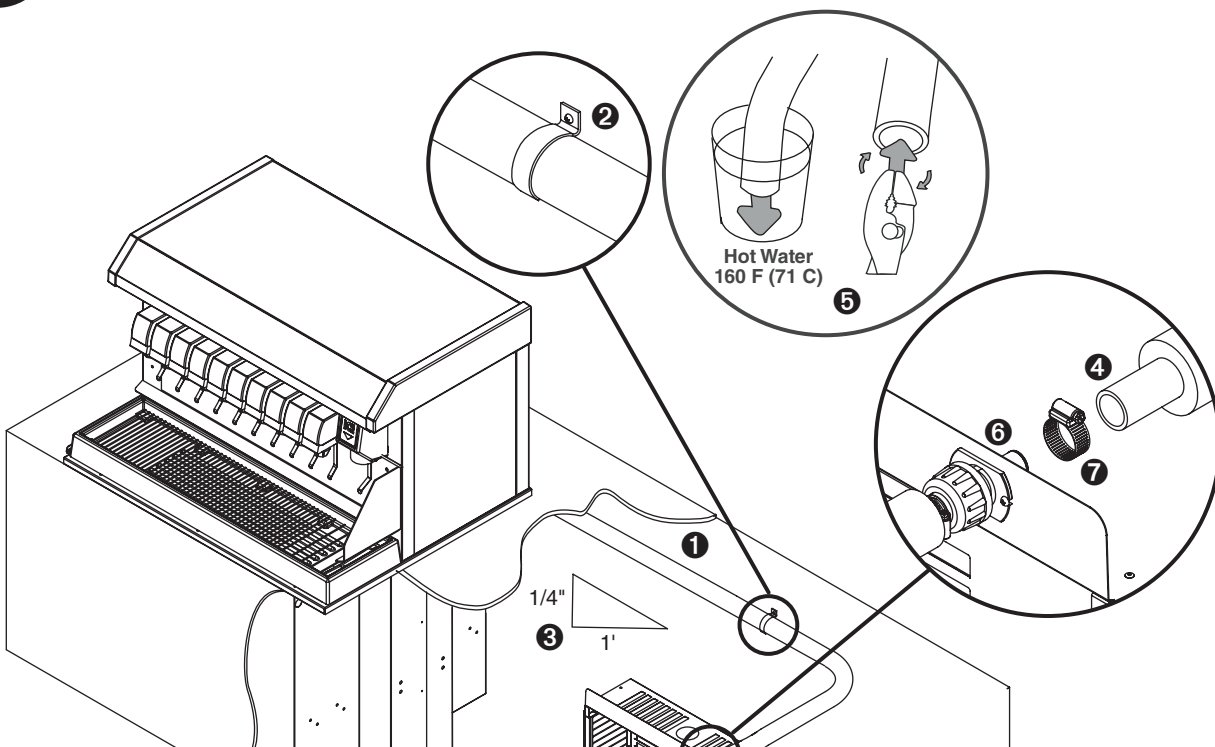
- Keep ventilation openings in the appliance enclosure clear of obstruction.
- To ensure proper ventilation (if not using supplied grille) carefully review air circulation specifications on facing page (4.1)

3D Counter View





5.1 Ice transport tube installation.



Ice transport tube tips

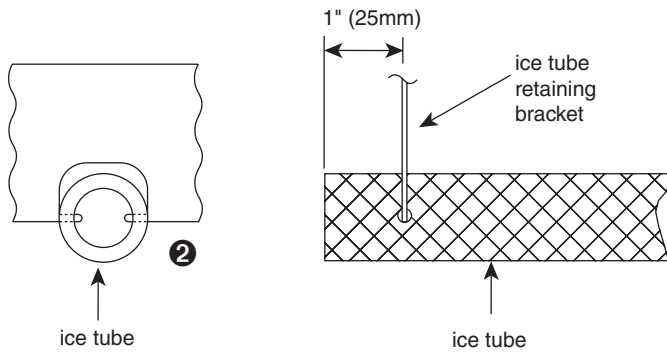
- Insulate entire length of ice transport tube ①
- Secure ice transport tube ② as needed to prevent dips and traps from forming. For long tube runs see guide on page 19.
- Pitch tube at least 1/4" per foot (6,4mm/.3m) ③
- Ice transport tube must drain towards ice machine

Ice transport tube to Ice machine

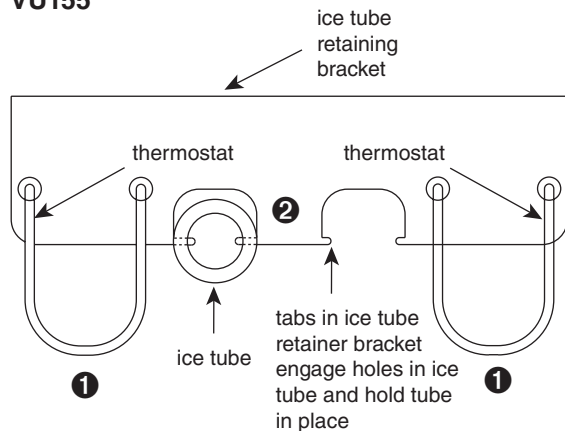
- Be sure tube ends are square ④
- Heat end of transport tube in cup of 160 F (71 C) hot water to soften and spread with pliers ⑤ before making connection to ease assembly
- Push ice transport tube onto ice machine nipple ⑥
- Install hose clamp ⑦

5.2 Dispenser ice transport tube installation

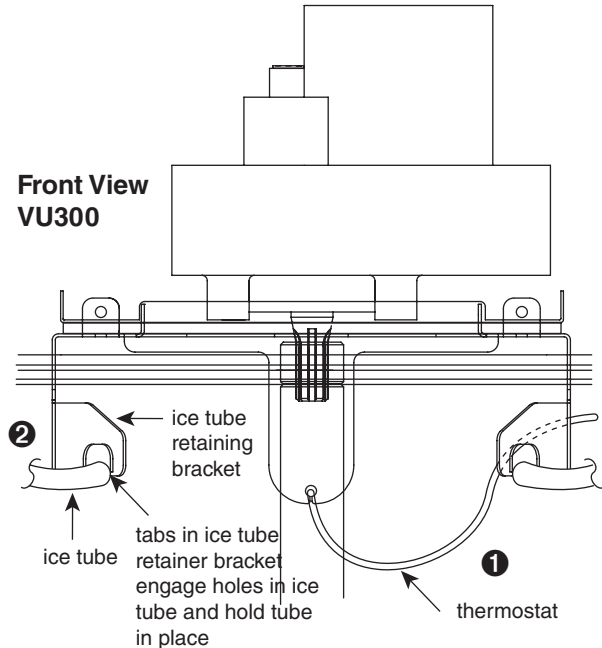
Ice tube retainer bracket



Front View VU155

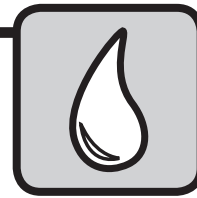


Front View VU300

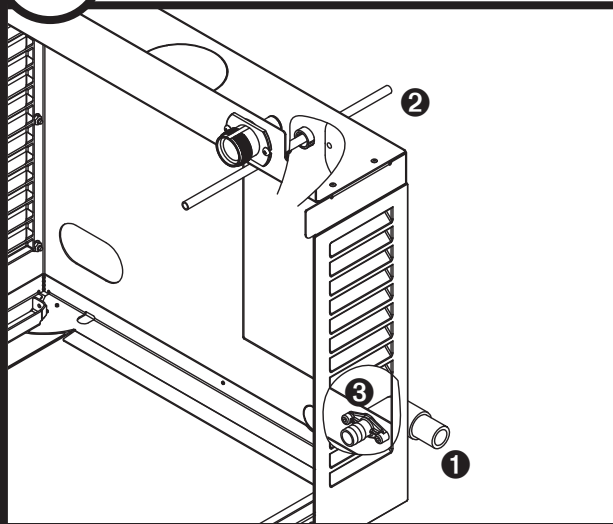


- Push one end of ice transport tube(s) through hole(s) provided in side of dispenser
- Route tube into ice tube bracket inside dispenser and engage bracket tabs in holes located in end of ice transport tube(s) **1**
- Verify bin thermostat capillary tube is mounted correctly **2**

Connect utilities to louvered docking assembly.

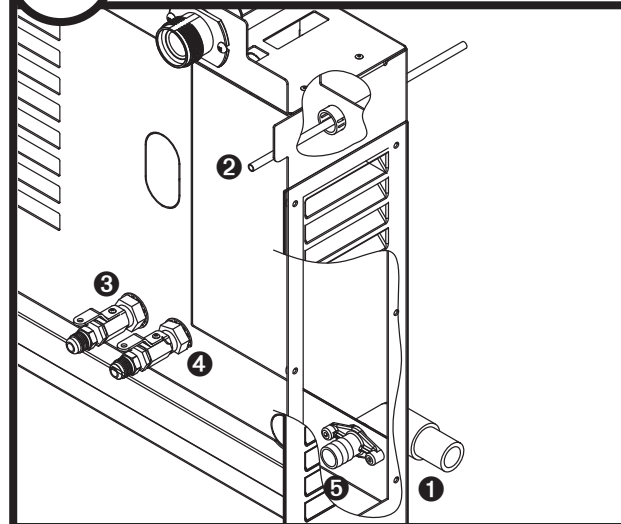


6.1 Air-cooled ice machines only



- Remove access panel if necessary
- Install drain line **1**.
The rigid drain line from the ice machine must have at least 1/4" per foot pitch (6,4mm/0,3m).
- Rough-in ice machine potable water supply **2**.
3/8" push-in connection will be made at shut-off valve inside machine
- Apply Petrogel to barbed drain fitting **3**
- Replace access panel

6.2 Water-cooled ice machines only

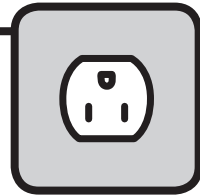


- Remove access panel if necessary
- Install drain line **1**.
The rigid drain line from the ice machine must have at least 1/4" per foot pitch.
- Rough-in ice machine potable water supply **2**.
3/8" push-in connection will be made at shut-off valve inside machine.
- Connect cooling water supply **3** and return **4**
- Apply Petrogel to barbed drain fitting **5**
- Replace access panel

Connect louvered docking assembly to ice machine.

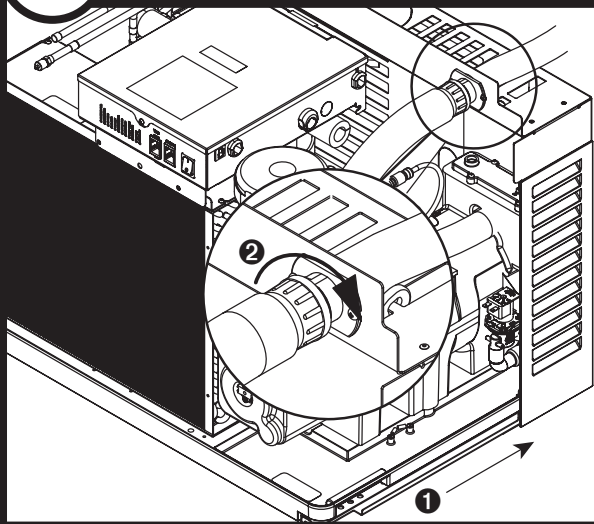
CAUTION

- Plug must be accessible after final installation.
- H_E1410A/W 230/50/1 requires a 20 amp circuit (4.00 mm² wire)



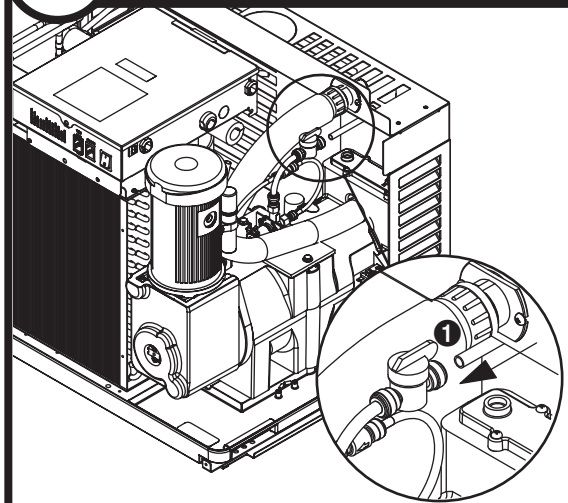
Air-cooled ice machines – follow steps 7.1 through 7.5.

7.1 Ice transport tube



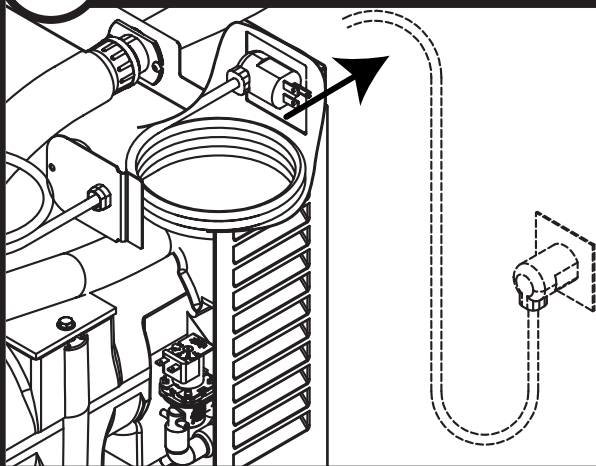
- Slide ice machine into louvered docking assembly *ensuring that drain tube is fully seated on barbed drain fitting* ❶
- Insert ice transport tube all the way into coupling and tighten nut firmly ❷

7.2 Potable water and drain lines



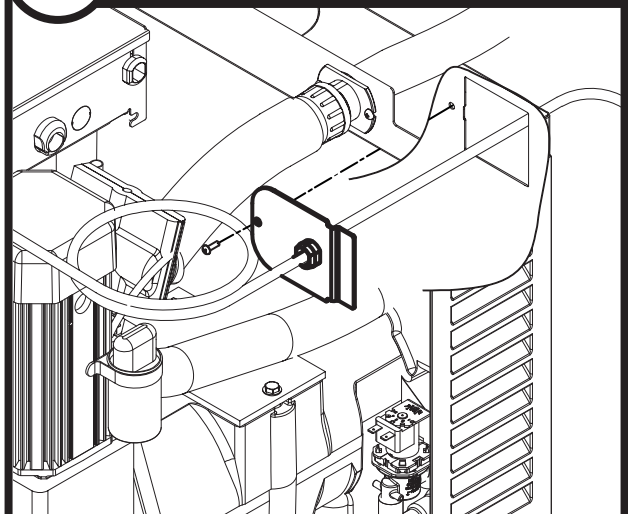
- Insert potable water line into valve ❶

7.3 Power cord



- Remove twist tie
- Carefully pass cord thru opening and plug into wall outlet
- For H_E units, install a suitable plug

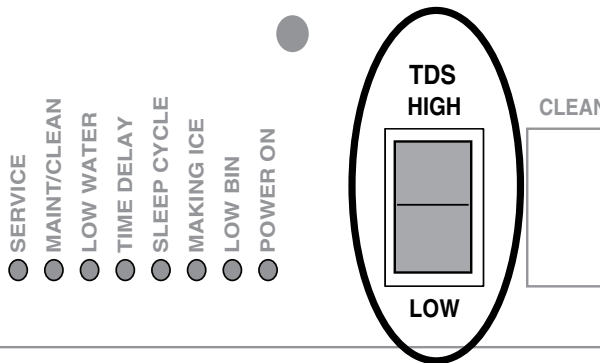
7.4 Power cord



- Position plate into opening and secure with supplied screw

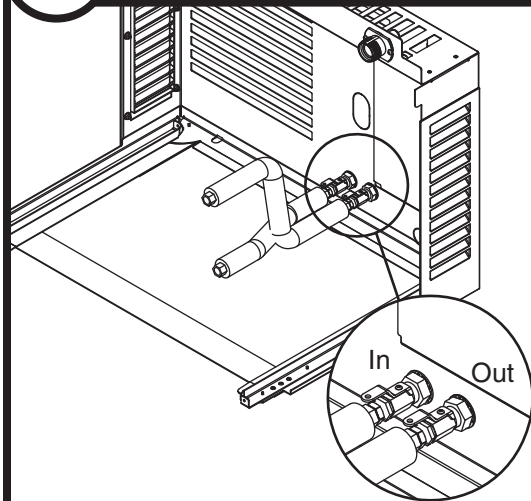
Water-cooled ice machines – follow steps 7.6 through 7.12.

7.5 TDS switch



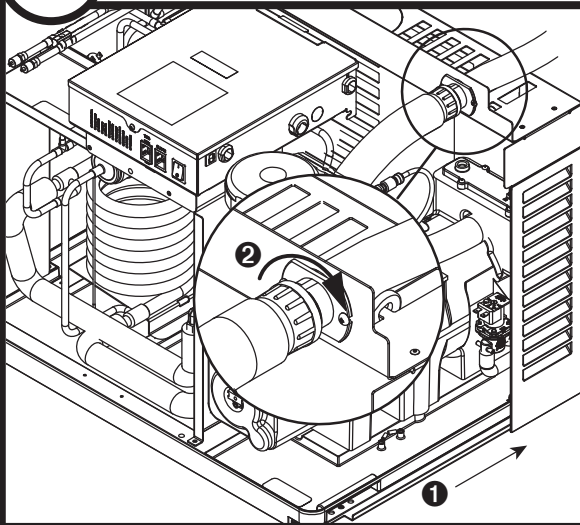
- Set the TDS switch on the electrical box:
HIGH: for extended service life
LOW: for low-scale water

7.6 Cooling lines



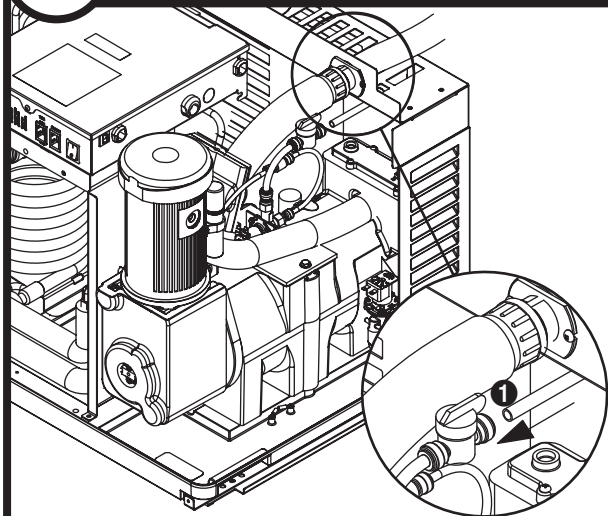
- Install ice machine cooling water lines to louvered docking assembly

7.7 Ice transport tube



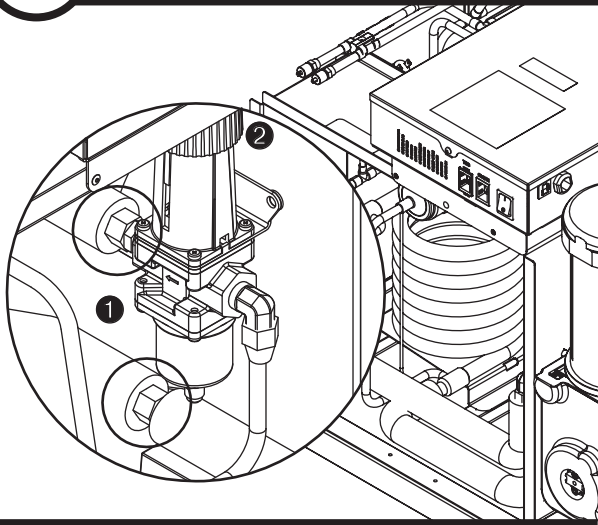
- Slide ice machine into louvered docking assembly *ensuring that drain tube is fully seated on barbed drain fitting* ❶
- Insert ice transport tube into coupling and tighten nut firmly ❷

7.8 Potable water and drain lines



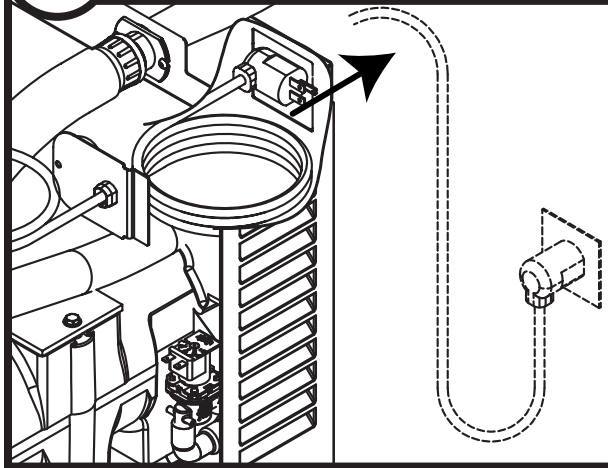
- Insert potable water line into valve ❶

7.9 Cooling lines and power



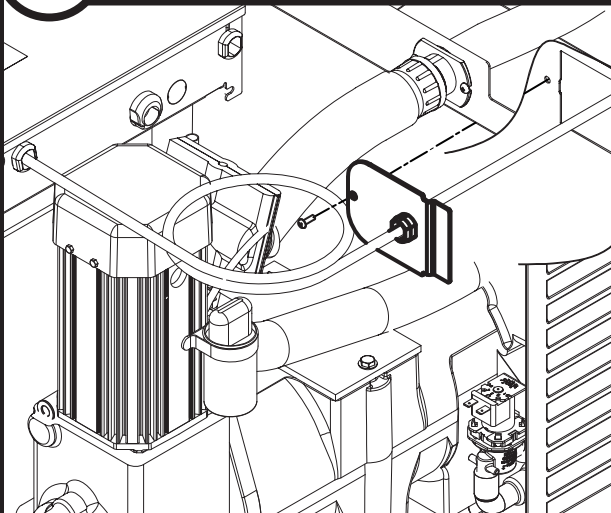
- Connect cooling water lines to ice machine ①
- Water valve is set at the factory. **DO NOT** remove seal or adjust water valve ②

7.10 Power cord



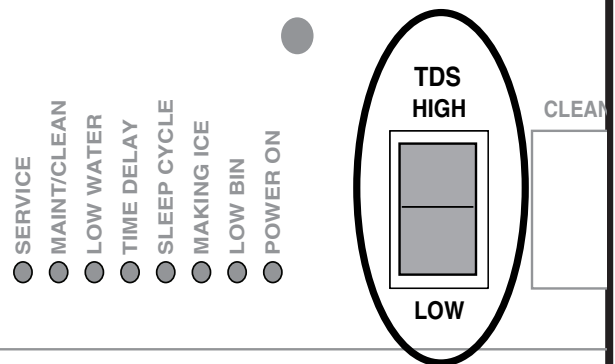
- Remove twist tie
- Carefully pass cord thru opening and plug into wall outlet
- For H_E units, install a suitable plug

7.11 Power cord

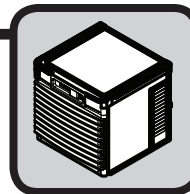


- Position plate into opening and secure with supplied screw

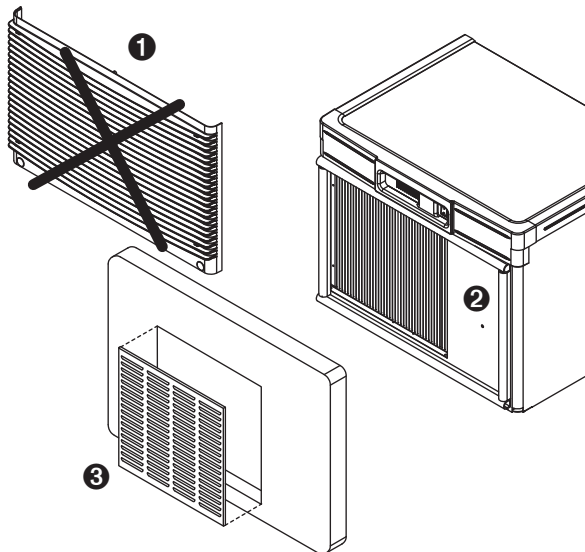
7.12 TDS switch



- Set the TDS switch on the electrical box:
HIGH: for extended service life
LOW: for low-scale water



**Front cover installation –
air-cooled undercounter only**

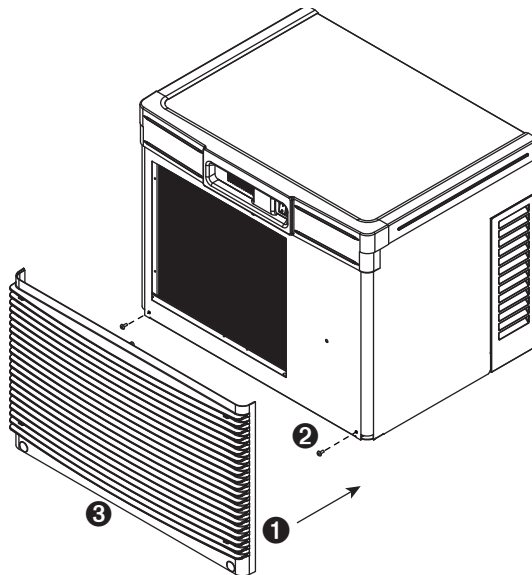


CAUTION

- Keep ventilation openings in the appliance enclosure clear of obstruction.
- To ensure proper ventilation (if not using supplied grille) carefully review air circulation specifications in section 4.1

- Remove and discard plastic grille **1**
- Apply supplied gasket material around entire opening on skin to prevent air recirculation **2**
- Attach supplied metal grille to opening in counter door (see section 4.1) **3**

Install front cover



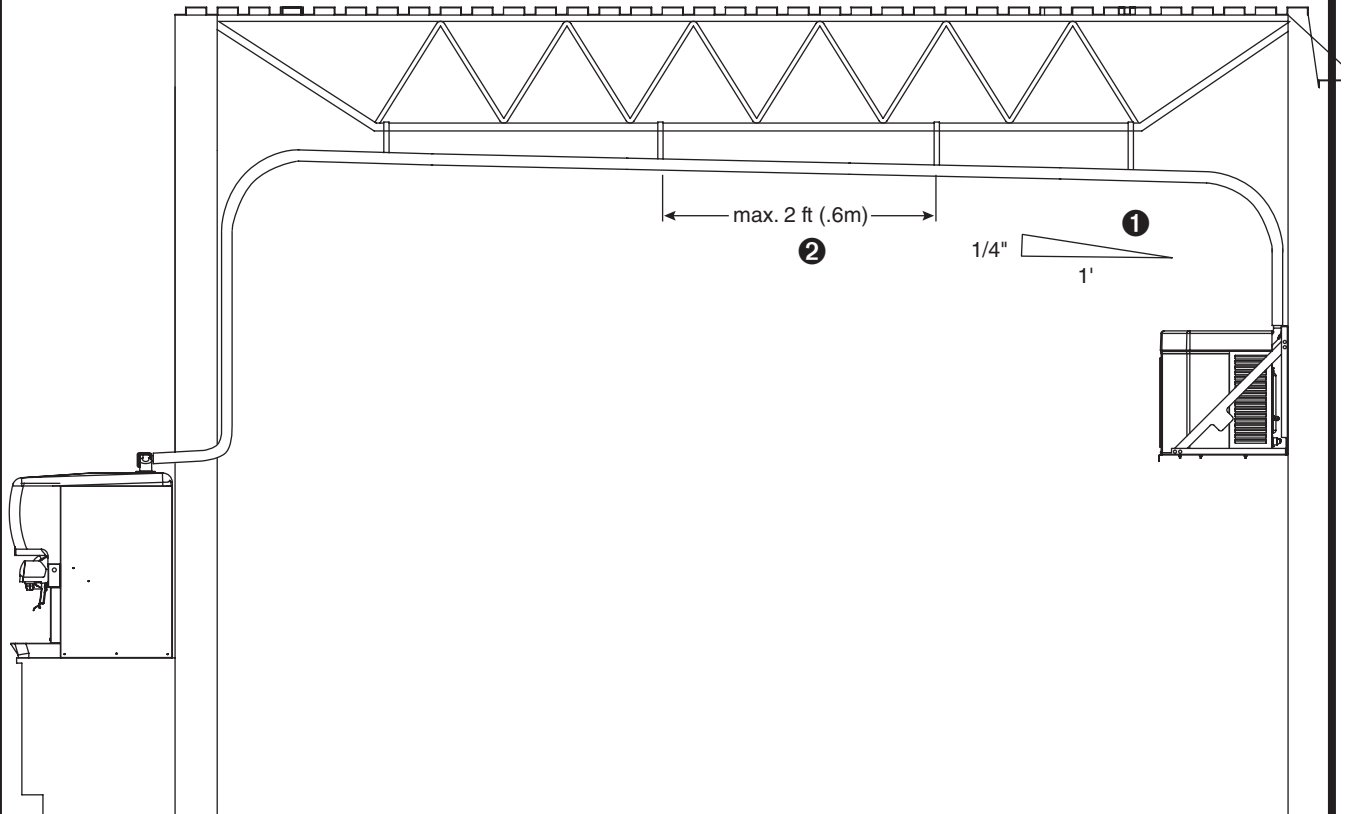
- Slide ice machine cover over machine ensuring that tabs on back of cover slip under louvers on back of louvered docking assembly **1**
- Insert and tighten two screws through cover and into louvered docking assembly **2**
- For air-cooled machines only, install plastic grill **3**

NOTICE

Ice machine MUST be sanitized prior to operation!

Consult Operation and Service Manual provided with ice machine for sanitizing instructions.

Long tube run recommendations



- Pitch ice transport tube to allow melt water to drain towards ice machine ①
- Secure insulated ice transport tube at least every 2 ft (.6m) to prevent dips or traps ②

Horizon, Horizon Elite, Maestro, Harmony, Ice Manager, SafeCLEAN, Sani-Sponge, RIDE and Vision are trademarks of Follett Corporation. Chewblet is a registered trademark of Follett Corporation, registered in the US.