

FAUCET PARTS - EXPLODED VIEW

Model: K-54 & K-54A

Conforms To NSF 61/9 Lead Free Requirements

⚠ WARNING:

Faucet(s) on this page may expose you to chemicals, including lead, that are known to the State of California to cause cancer or birth defects or other reproductive harm. For more Info., visit www.p65warnings.ca.gov.

*For Faucets Purchase Before 2016
Or After 2019 w/ Metal Plastic Push Handle*

ENGINEERING SPECIFICATION:

- Polished Chrome Plated Brass
- Stainless Steel Type 304 Riser
- Two Position Lever Arm
- Stainless Steel Valve and Lever
- 1/2" NPSM Male Inlet
- Includes Mounting Hardware

TECHNICAL/PERFORMANCE SPECIFICATIONS:

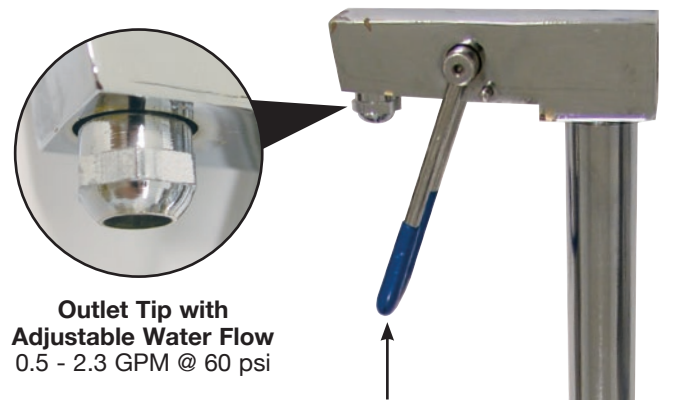
- Commercial Grade
- 1/2" NPSM Male Inlet
- Operating Temperature: 40 - 180°F
- Operating Pressure: 20 - 125 psi
- Flow Rate 0.5 - 2.3 GPM @ 60 psi

How To Identify Faucet Style



New Style

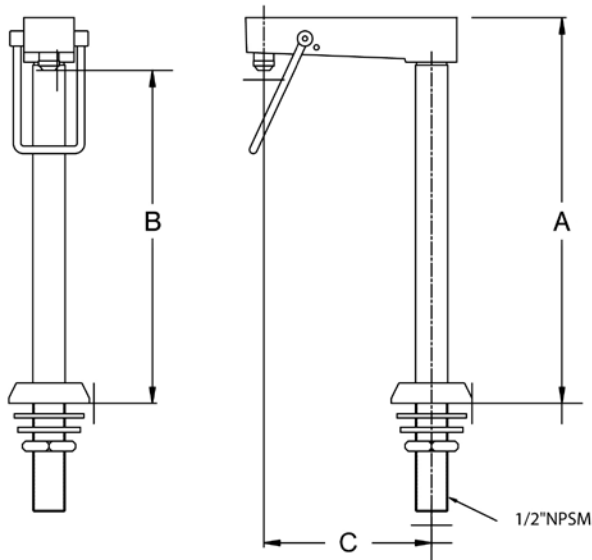
Old Style
(See Pg. 2)



Outlet Tip with Adjustable Water Flow
0.5 - 2.3 GPM @ 60 psi



K-02A Replacement Kit



Model #	A O.A. Height	B Outlet To Deck	C Width
K-54	9 1/2"	8"	4 1/8"
K-54A	13 1/2"	12"	4 1/8"

1/2" NPSM
Male Inlet

Rubber Washer

Metal Washer

Brass Nut



FAUCET CONFORMS TO ANSI/NSF STANDARD 61 SECTION 9



Customer Service Available To Assist You 1-800-645-3166 8:30 am - 7:00 pm E.S.T.

For Orders & Customer Service:
Email: customer@advancetabco.com or Fax: 631-242-6900

For Smart Fabrication™ Quotes:
Email: smartfab@advancetabco.com or Fax: 631-586-2933



FAUCET PARTS - EXPLODED VIEW

Model: K-54 & K-54A

(For Faucets Purchased Between 2016 & 2019 w/ Blue Acrylic Push Handle)

How To Identify Faucet Style



New Style
(See Pg. 1)

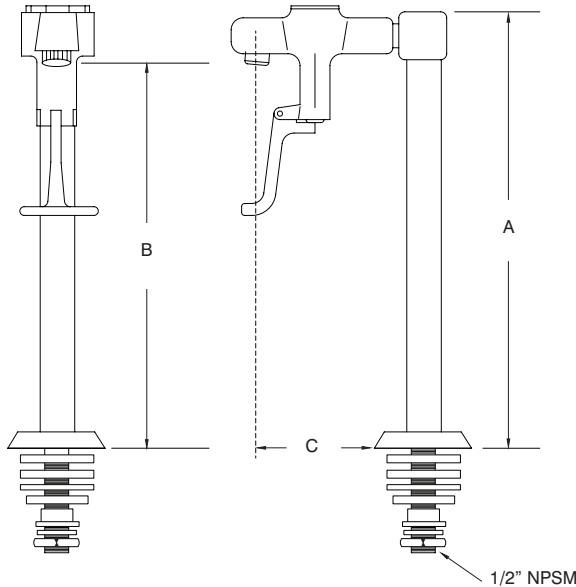
Old Style

ENGINEERING SPECIFICATION:

- Polished Chrome Plated Brass
- Stainless Steel Type 304 Riser
- Acrylic Lever Arm & Aerator
- Stainless Steel Valve
- 1/2" NPSM Male Inlet
- Includes Mounting Hardware

TECHNICAL/PERFORMANCE SPECIFICATIONS:

- Commercial Grade
- 1/2" NPSM Male Inlet
- Operating Temperature: 40 - 180°F
- Operating Pressure: 20 - 125 psi
- Flow Rate 0.5 - 2.3 GPM @ 60 psi



Model #	A O.A. Height	B Outlet To Deck	C Width
K-54	9 1/2"	8"	4 1/8"
K-54A	13 1/2"	12"	4 1/8"

Included in
Repair Kit # K-02



Outlet Tip with
Adjustable Water Flow
0.5 - 2.3 GPM @ 60 psi

Washer



Included in
Repair Kit # K-02

Included in
Repair Kit # K-02



1/2" NPSM
Male Inlet

Plastic Washer

Rubber Washer

Metal Ring

Brass Nut

Flow Restrictor

Plastic Washer

Brass Nut



Customer Service Available To Assist You 1-800-645-3166 8:30 am - 7:00 pm E.S.T.

For Orders & Customer Service:

Email: customer@advancetabco.com or Fax: 631-242-6900

For Smart Fabrication™ Quotes:

Email: smartfab@advancetabco.com or Fax: 631-586-2933