



# HOSHIZAKI

## Parts List

Crescent Cuber

Model

KM-160BAJ



[hoshizakiamerica.com](http://hoshizakiamerica.com)

Number: F118-4269  
Issued: 11-2019

## **Auxiliary Codes**

**KM-160BAJ**      G-1      April 2017

### **Auxiliary Code Breakdown**

The auxiliary code is the first two characters in the serial number. The first character indicates the year. Years progress or regress in alphabetical order. The series runs from "A" through "V" and the letters "I" and "O" are skipped. The second character indicates significant part changes within a year. Base is "0" and this number advances for each change. In cases where there is a letter in parentheses, this designates the month. This is the last character in the serial number. The series runs from "(A)" through "(M)" and the letter "(I)" is skipped. This designation is only included when identifying a parts change within an auxiliary code.

### **Note About Ordering Parts**

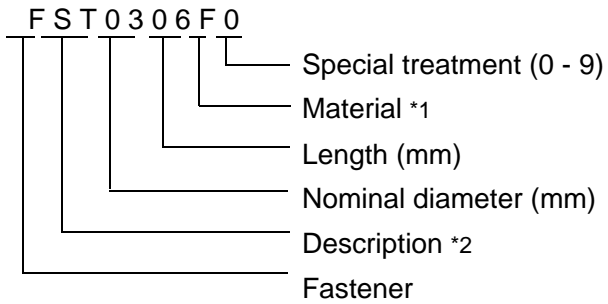
Most assemblies cannot be ordered as complete units; parts in the assemblies generally must be ordered separately.

## MARKS LOCATED UNDER THE AUXILIARY CODE

- = Part deleted.
- x = Part deleted and replaced by "o" part.
- o = New part in place of "x" part.

## FASTENER PART NUMBER

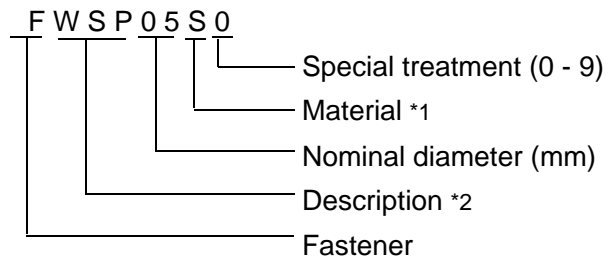
### SCREWS



\*1 Material

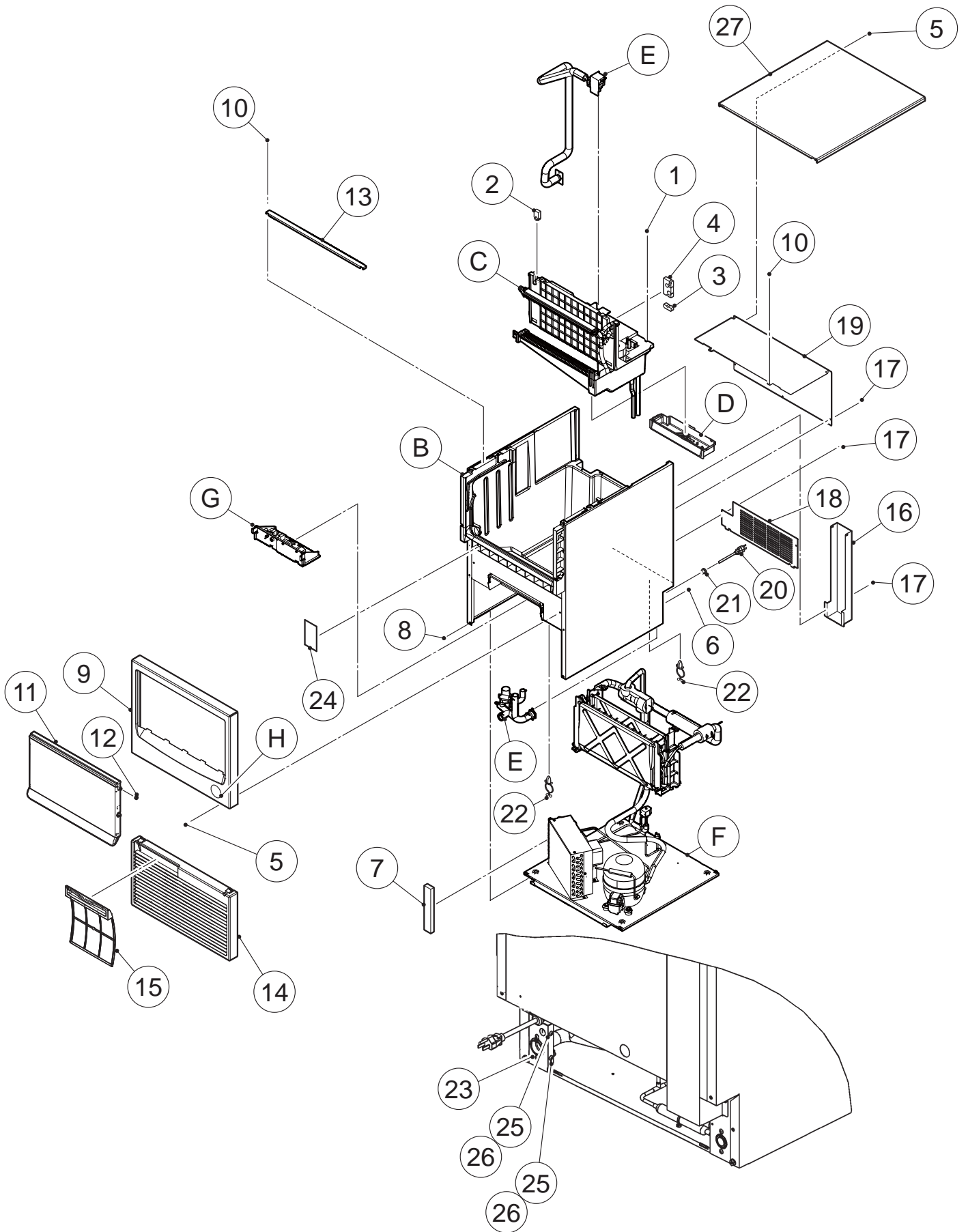
- F: Steel
- S: Austenitic stainless steel
- M: Martensitic stainless steel
- B: Copper alloy
- P: Polycarbonate
- N: Polyamide
- V: PVC
- A: ABS
- X: Polyacetal
- L: Aluminum

### NUTS & WASHERS



\*2 Description

- First letter
- S: Machine screw
- T: Tapping screw
- M: Wood screw
- B: Bolt
- W: Washer
- N: Nut

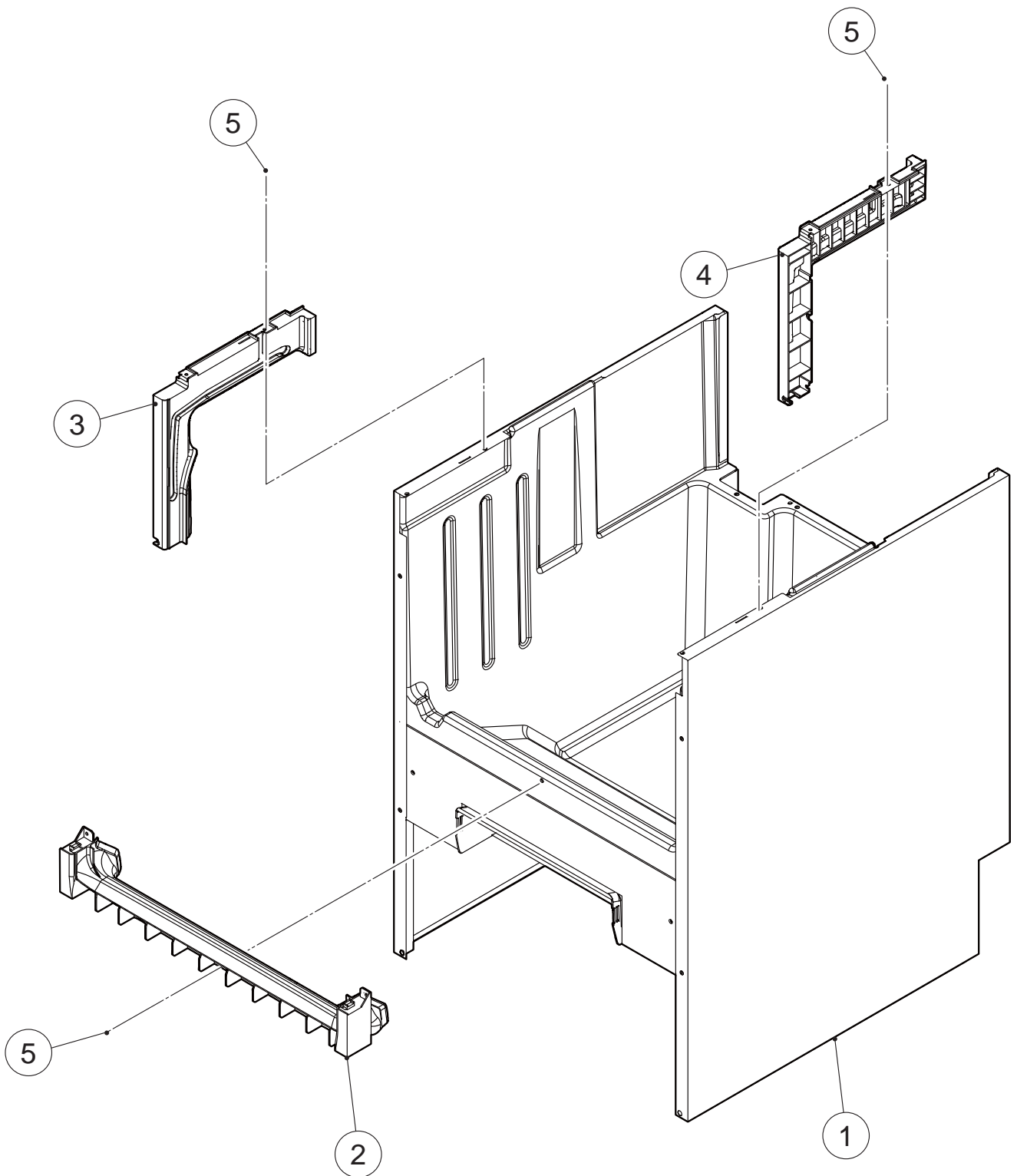


HA

MODEL: <b>KM-160BAJ</b>								TITLE: <b>A. ICE CUBER ASSY</b>			
INDEX NO.	DESCRIPTION	MATERIAL OR MODEL NUMBER	PART NUMBER	REQ'D NUMBER							
				G-1							
B	BODY		124941A01	1							
C	ICE MAKING MECHANISM ASSY		124937A01	1							
D	MECHANICAL BIN SWITCH		371151A01	1							
E	WATER CIRCUIT ASSY		270882A01	1							
F	REFRIGERATION CIRCUIT		124942A01	1							
G	CONTROL BOX ASSY		252005A08	1							
H	LABEL LOCATION		270887A01	1							
J	ACCESSORIES		A03348-01	1							
1	TRUSS HEAD TAPPING SCREW T2		FT20412M0	2							
2	GROMMET/PIPE(C)		470311-01	1							
3	GROMMET/PIPE(B)		470310-01	1							
4	GROMMET/PIPE(A)		470309-01	1							
5	T2 TRUSS HEAD SCREW	4X8	FT20408M0	6							
6	T2 TRUSS HEAD SCREW	4X10	FT20410M0	4							
7	AIR GUARD		470302-02	1							
8	HEX. TAPPING SCREW W - FLANGE		P01572-01	4							
9	FRONT PANEL		384404G01	1							
10	TRUSS HEAD TAPPING SCREW T2		FT20410S0	6							
11	DOOR	Replace together with 4 pieces of No.12 COLLAR	369051G01	1							
12	COLLAR		481481P02	4							
13	BRACE - RAIL		384405M01	1							
14	LOUVER		117635-01	1							
15	AIR FILTER		250727G01	1							
16	COVER - PIPE		368305-02	1							
17	T2 TRUSS HEAD SCREW	4X8	FT20408F0	6							
18	REAR COVER		368313-01	1							
19	REAR PANEL		370654M03	1							
20	POWER SUPPLY CORD		P00004-01	1							
21	BUSHING		420472-02	1							

HA

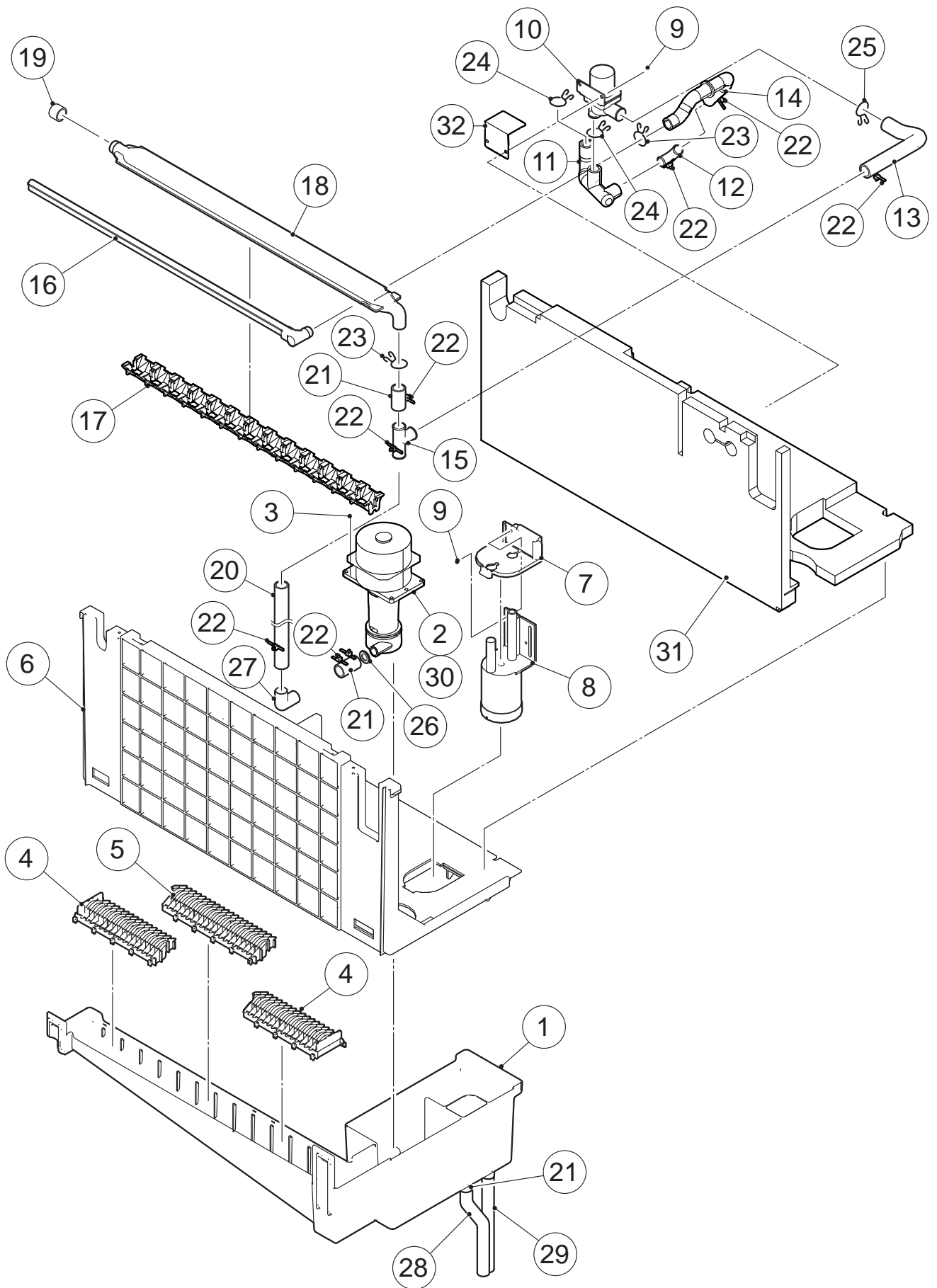
MODEL: <b>KM-160BAJ</b>		TITLE: <b>A. ICE CUBER ASSY</b>					
INDEX NO.	DESCRIPTION	MATERIAL OR MODEL NUMBER	PART NUMBER	REQ'D NUMBER			
				G-1			
22	CLAMP		427902-02	5			
23	INSULATION/DRAIN		4Y4319Z01	1			
24	SEAL - OVERFLOW		4Y4321P01	1			
25	TRUSS HEAD SCREW	SUS 4X8	FST0408S0	2			
26	SPRING WASHER		FWSP04S0	2			
27	TOP PANEL		389182A09	1			



HA

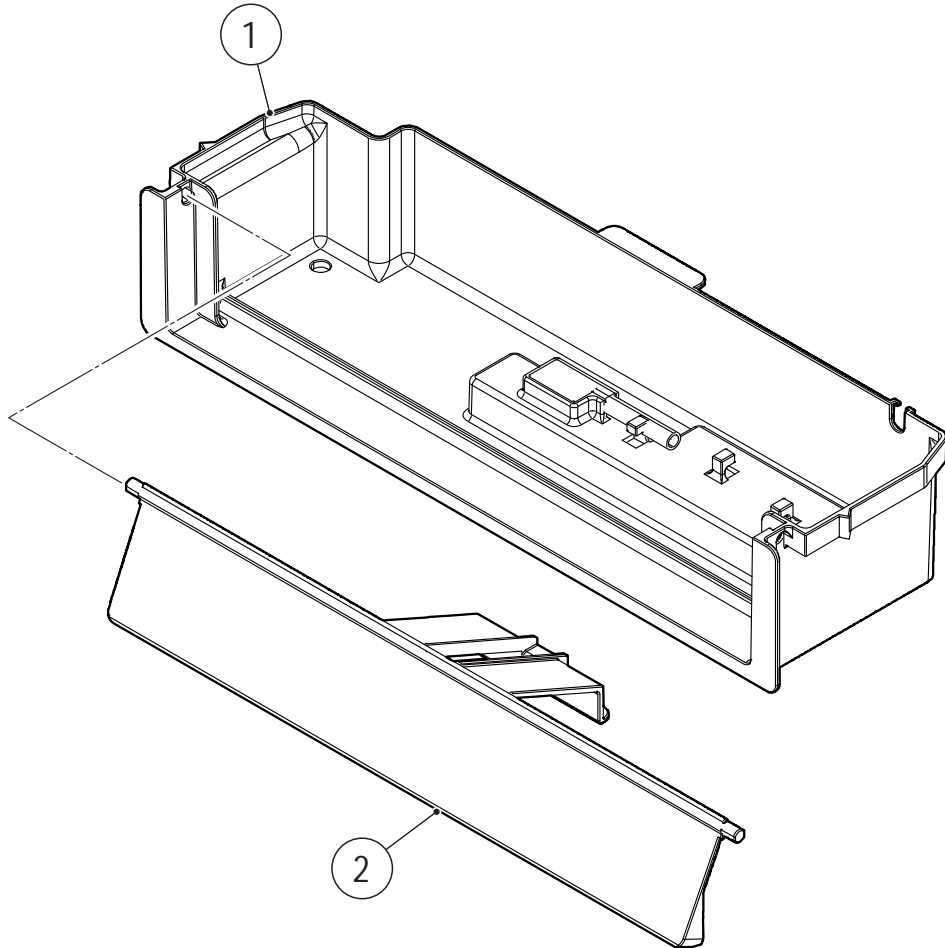
MODEL: <b>KM-160BAJ</b>		TITLE: <b>B. BODY</b>					
INDEX NO.	DESCRIPTION	MATERIAL OR MODEL NUMBER	PART NUMBER	REQ'D NUMBER			
				G-1			
1	BODY ASSY		124934G01	1			
2	FRONT FRAME		250745-01	1			
3	RAIL (L)		124933P01	1			
4	RAIL (R)		124932P01	1			
5	TRUSS HEAD TAPPING SCREW T2		FT20410S0	3			





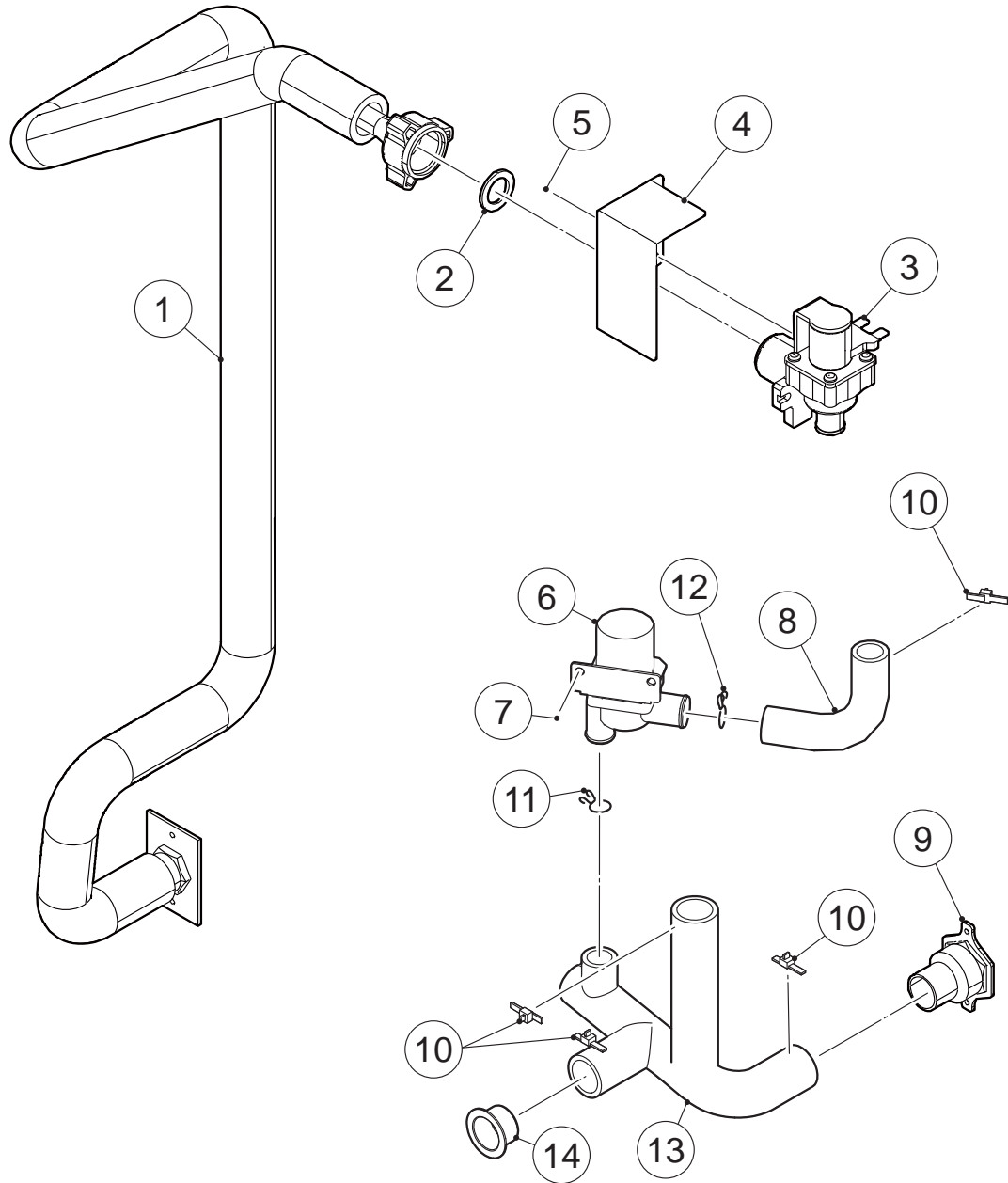
HA

MODEL: <b>KM-160BAJ</b>							
TITLE: <b>C. ICE MAKING MECHANISM ASSY</b>							
INDEX NO.	DESCRIPTION	MATERIAL OR MODEL NUMBER	PART NUMBER	REQ'D NUMBER			
				G-1			
1	WATER TANK		117639-01	1			
2	PUMP MOTOR (G)		384346G01	1			
3	T2 TRUSS HEAD SCREW		FT20416M0	1			
4	CUBE GUIDE (A)		250742-01	2			
5	CUBE GUIDE(C)		250740-01	1			
6	BRACKET/ICE MAKING		117632-01	1			
7	BRACKET/FLOAT SWITCH		368339-01	1			
8	FLOAT SWITCH		4A3624-04	1			
9	T2 TRUSS HEAD SCREW		FT20410M0	2			
10	CLEANING VALVE (G)		384353G01	1			
11	WATER SUPPLY PIPE (A)		384395R01	1			
12	ELBOW		470303-01	1			
13	BYPASS HOSE		374229R01	1			
14	WATER SUPPLY HOSE (B)		374228R01	1			
15	TEE		470312-01	1			
16	WATER SUPPLY TUBE		269616G01	1			
17	SPRAY GUIDE		252052P03	1			
18	SPRAY TUBE		250746-03	1			
19	SPRAY TUBE CAP		370777R01	1			
20	SI HOSE		H11418280	1			
21	SI HOSE		H11418030	3			
22	TIE		7920-0002	9			
23	HOSE CLAMP		P02909-04	2			
24	HOSE CLAMP		P02909-05	2			
25	HOSE CLAMP		P02909-06	1			
26	ORIFICE		4Y4194P02	1			
27	ELBOW		417703-01	1			
28	PIPE-OVERFLOW		369038P03	1			
29	SI HOSE		H11418230	1			
30	BAG		4X1559-01	1			
31	INSULATION - MECHANISM		256827P01	1			
32	COVER-DRAIN		482837M01	1			

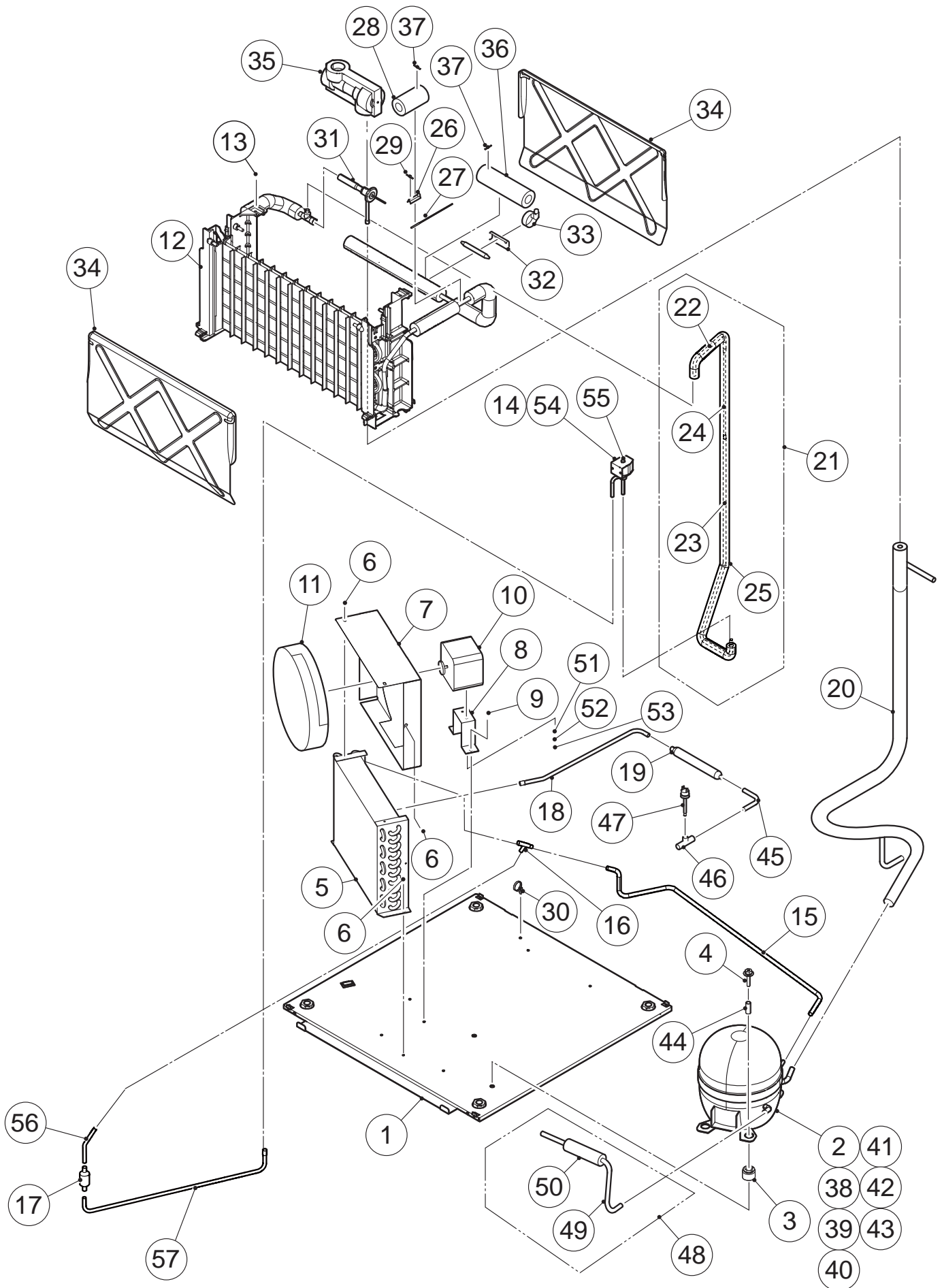


HA

MODEL: <b>KM-160BAJ</b>		TITLE: <b>D. MECHANICAL BIN SWIT</b>					
INDEX NO.	DESCRIPTION	MATERIAL OR MODEL NUMBER	PART NUMBER	REQ'D NUMBER			
				G-1			
1	MECHANICAL SWITCH CASE		371153G01	1			
2	DETECTOR		371152G01	1			





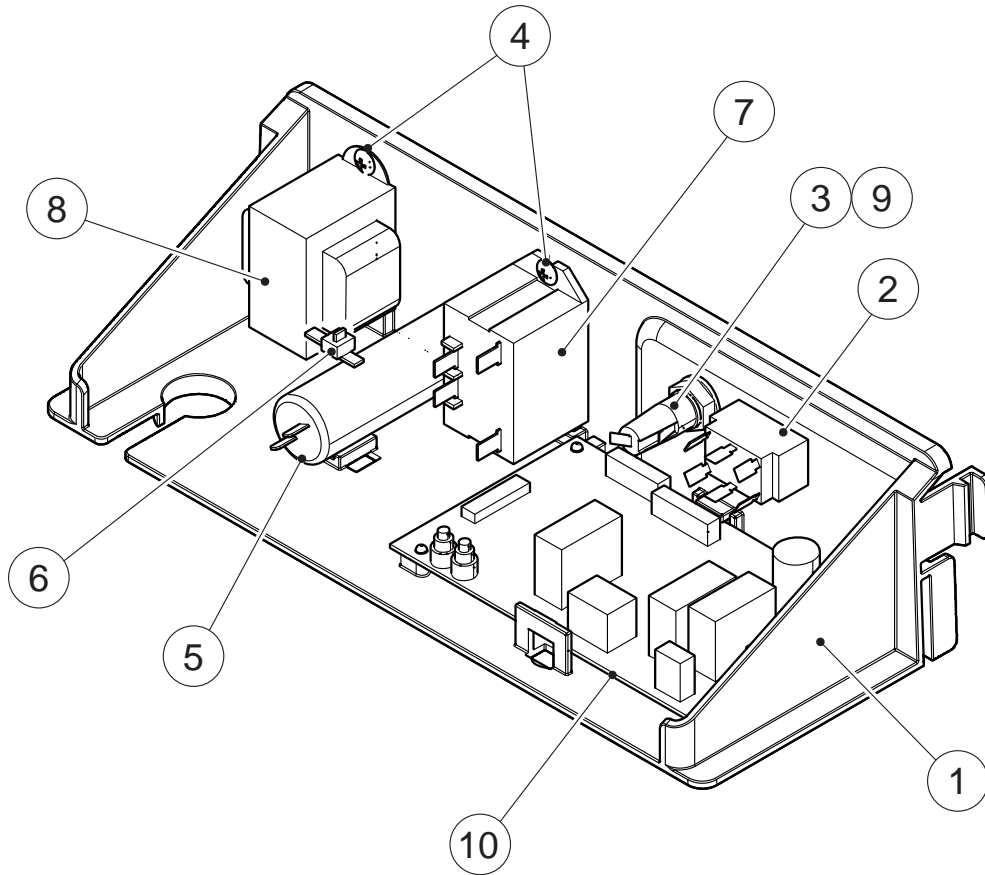


HA

MODEL: <b>KM-160BAJ</b>					TITLE: <b>F. REFRIGERATION CIRCUIT</b>			
INDEX NO.	DESCRIPTION	MATERIAL OR MODEL NUMBER	PART NUMBER	REQ'D NUMBER				
				G-1				
1	BASE		370284G01	1				
2	COMPRESSOR	QA125K29CAU6-E0GS	P00025-01	1				
3	RUBBER GROMMET	01-245970	463983-01	4				
4	BOLT	8x35	436206-03	2				
5	CONDENSER-AIR COOLED		P00030-01	1				
6	T2 TRUSS HEAD SCREW		FT20408F0	5				
7	SHROUD		3Y2364M01	1				
8	BRACKET/FM	M4Q045-CA27-04	470291-01	1				
9	HEX HEAD BOLT (SPRING WASHER)	200 DIA (22°)	FBK0512S0	2				
10	FAN MOTOR (G)		384356G01	1				
11	FAN BLADE		P00006-01	1				
12	EVAPORATOR ASSY		270883G01	1				
13	TRUSS HEAD TAPPING SCREW T2		FT20412M0	2				
14	VALVE BODY		4A3275-01	1				
15	COPPER TUBE(A)/HIGH SIDE		368334-01	1				
16	TEE		420041-03	1				
17	STRAINER		P00008-01	1				
18	COPPER TUBE(D)/HIGH SIDE		470295-01	1				
19	DRIER		P00026-01	1				
20	HEAT EXCHANGER		368326G01	1				
21	COPPER TUBE - HOT GAS	NBFC-36-H60-1	373803G01	1				
22	COPPER TUBE - HOT GAS (A)		373803M01	1				
23	COPPER TUBE - HOT GAS (B)		373803M02	1				
24	COPPER TUBE - HOT GAS (C)		373803M03	1				
25	INSULATION TUBE		H71020H11	1				
26	HOLDER-THERMISTOR		436455-01	1				
27	THERMISTOR	CV-100	P00027-01	1				
28	INSULATION-THERMISTOR	T30RSF	471010Z01	1				
29	TIE	HFE-5QHD-3	7920-0002	3				
30	PUSH MOUNT TIE	L=200	436156-01	1				
31	EXPANSION VALVE		P00318-01	1				
32	HOLDER - EXPV	COPPER TUBE - PROCESS(A)	451267-01	1				
33	CLAMP	MM5-E3CH	443461-01	1				



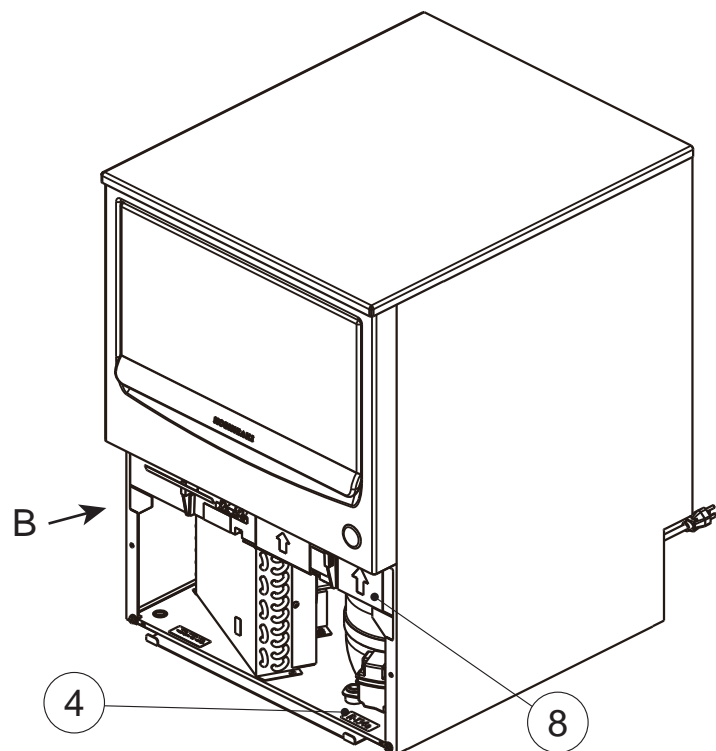
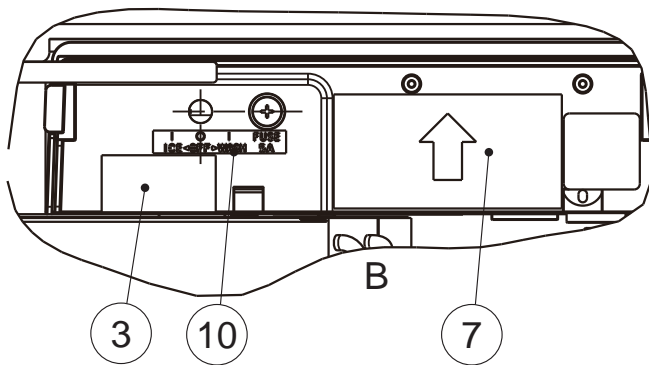
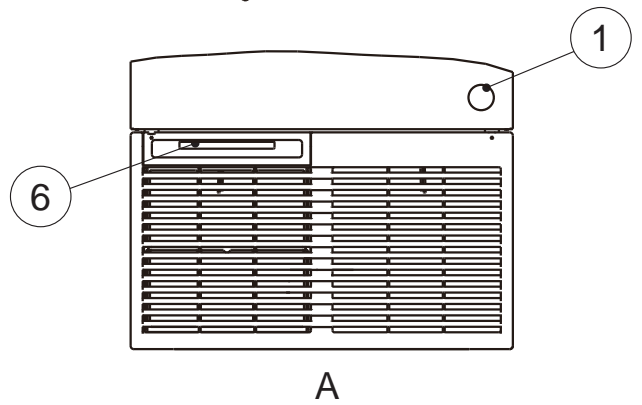
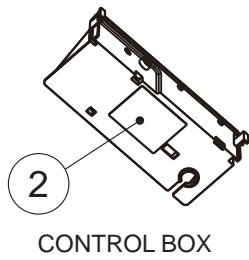
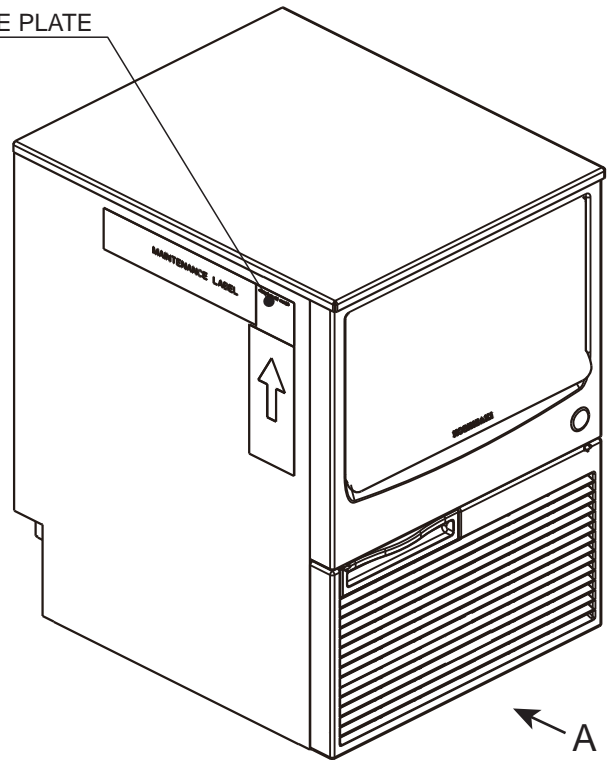
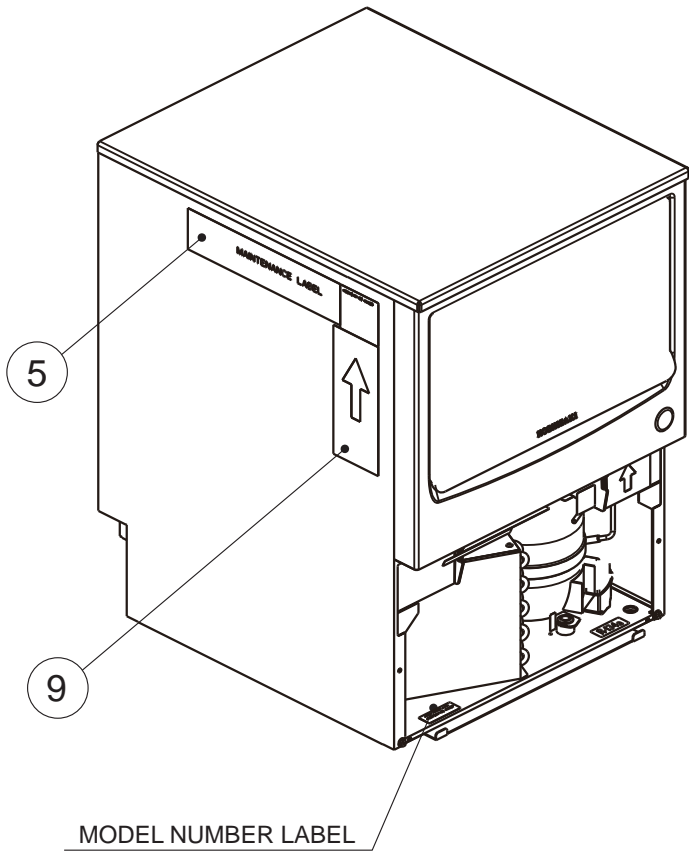




HA

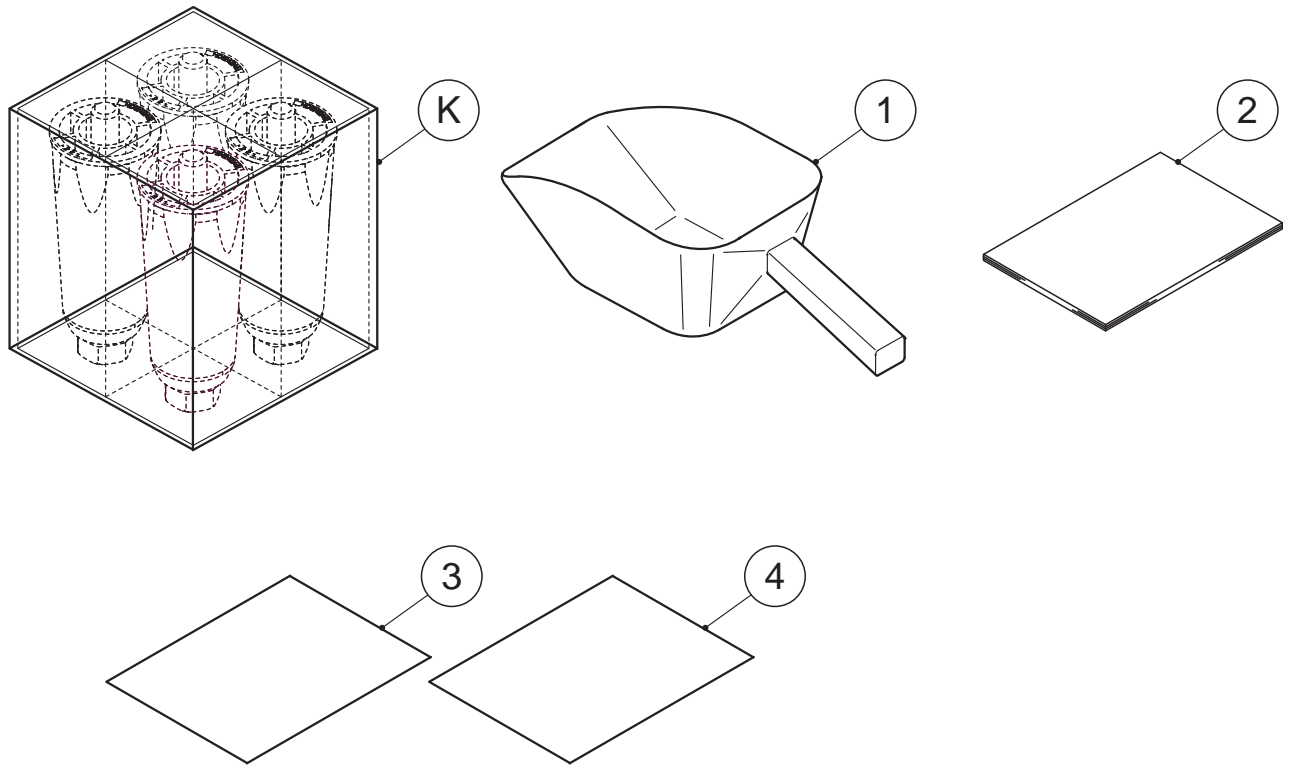
MODEL: <b>KM-160BAJ</b>		TITLE: <b>G. CONTROL BOX ASSY</b>					
INDEX NO.	DESCRIPTION	MATERIAL OR MODEL NUMBER	PART NUMBER	REQ'D NUMBER			
				G-1			
1	CONTROL BOX		117624-01	1			
2	TOGGLE SWITCH	KND-203	P00033-01	1			
3	FUSE HOLDER	BF115	P00014-01	1			
4	T2 TRUSS HEAD SCREW		FT20408M0	2			
5	START CAPACITOR	100µF 160V	4Y1175-01	1			
6	NYLON TIE	CV-200	7920-0010	1			
7	POWER RELAY	G7L-1A-TUB	449000-01	1			
8	TRANSFORMER		3A4395-01	1			
9	FUSE	125/250V 5A	P01143-01	1			
10	CONTROLLER BOARD	HKM2006V003	P01771-02	1			

NAME PLATE



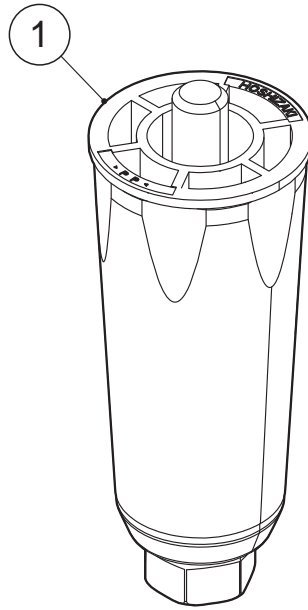
HA

MODEL: <b>KM-160BAJ</b>		TITLE: <b>H. LABEL LOCATION</b>					
INDEX NO.	DESCRIPTION	MATERIAL OR MODEL NUMBER	PART NUMBER	REQ'D NUMBER			
				G-1			
1	LABEL - PENGUIN		468184-01	1			
2	WIRING LABEL		384240L01	1			
3	CAUTION LABEL		464507-01	1			
4	LABEL - R134A		444463-01	1			
5	MAINTENANCE LABEL		384500L01	1			
6	LABEL - AIR FILTER		426177-01	1			
7	CAUTION LABEL - SERVICE		370640L01	1			
8	LABEL - ALARM		370310L01	1			
9	LABEL - CONTROL BOARD		370605L02	1			
10	CONTROL LABEL - FUSE		476009L01	1			



HA

MODEL: <b>KM-160BAJ</b>		TITLE: <b>J. ACCESSORIES</b>					
INDEX NO.	DESCRIPTION	MATERIAL OR MODEL NUMBER	PART NUMBER	REQ'D NUMBER			
				G-1			
K	LEG SET - UNC		472736A01	1			
1	SCOOP		1H4123P02	1			
2	INSTRUCTION MANUAL		L1F116101	1			
3	WARRANTY CERTIFICATE		2A4016-01	1			
4	REGISTRATION CARD		2A2894-01	1			





HA

MODEL: <b>KM-160BAJ</b>		TITLE: <b>K. LEG SET-UNC</b>					
INDEX NO.	DESCRIPTION	MATERIAL OR MODEL NUMBER	PART NUMBER	REQ'D NUMBER			
				G-1			
1	LEG-UNC		371053G01	4			