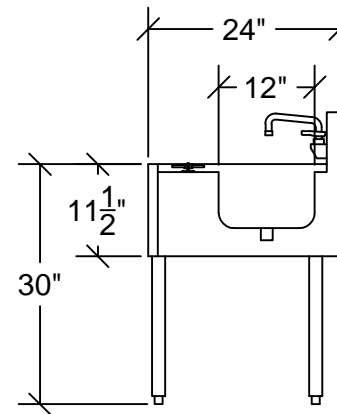
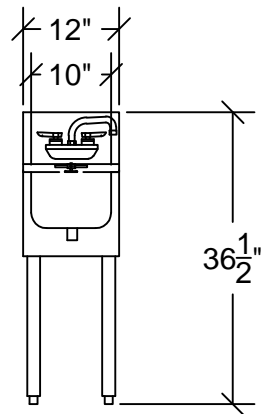
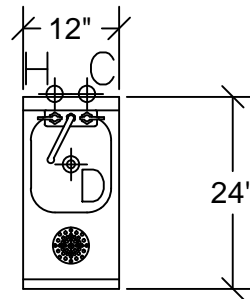


**PLUMBING REQUIREMENTS:**

1-1/2" IPS DRAIN

1/2" IPS HOT & COLD WATER, 4" CENTER WALL FAUCET

1/2" IPS COLD, PUSH-DOWN GLASS RINSER



"We Raise the Bar"

Krowne Metal Corp  
100 Haul Road  
Wayne, NJ 07470  
800-631-0442  
www.krowne.com

MODEL# :

**KR18-MS12**

ROYAL SERIES  
 1800  2100

STANDARD SERIES  
 1800  2100

MANU:

**KROWNE METAL CORP**

SCALE: 1/2" = 1'-0"

DATE: 10.14.2016

JOB #:

1 OF 1

APPROVAL: