



coffeeing the World



KRYO 65 OD

KRYO 65

User Manual (Read Installation Manual first)
Bedienungsanleitung (Zuerst Installationsanleitung lesen)
Mode d'emploi (Lire d'abord les instructions d'installation)

Manuale d'uso (Leggere prima manuale d'installazione)
Manual de instrucciones (Leer previamente las instrucciones de instalación)
Manual do utilizador (Ler primeiro as instruções de instalação)

Dear customer

First of all, we thank you for choosing our products. We are confident that the product you have purchased will meet all your expectations. The product you are about to use is the outcome of extensive research and development. It is the most efficient, user-friendly and well-designed machine of its kind.

This manual outlines the correct use and maintenance and will help you to get the best results from your machine. We hope you will find our explanations clear and we may continue to earn your business in the future.

Verehrte Kundin, verehrter Kunde

Wir danken Ihnen, dass Sie sich für unser Produkt entschieden haben.

Wir sind überzeugt, dass das Produkt, das Sie erworben haben, alle Ihre Erwartungen erfüllen wird. Dieses Produkt ist das Ergebnis sorgfältiger Forschung und Entwicklung. Wir legen besonderen Wert auf Leistungsfähigkeit, Benutzerfreundlichkeit und Design. Die Bedienungsanleitung wird Ihnen helfen Ihre Kaffeemaschine ordnungsgemäss zu bedienen, zu verstehen und das beste Ergebnis zu erzielen. Wir hoffen, unsere Erklärungen sind klar und verständlich und wir dürfen Sie auch in Zukunft zu unseren geschätzten Kunden zählen.

Chère cliente, cher client

Tout d'abord merci d'avoir choisi notre produit.

Nous avons l'assurance que le produit que vous venez d'acheter vous donnera entière satisfaction, tout comme tous nos autres produits sont conçus pour le faire. Le produit que vous allez utiliser est l'aboutissement de minutieux travaux de recherche et d'essais. Nous garantissons que l'équipement fourni offre une fonctionnalité, une sécurité et une satisfaction maximales par rapport aux produits actuellement sur le marché, à la fois en termes de design et de performances.

Ce livret d'instructions qui explique comment utiliser et entretenir correctement votre produit vous aidera à obtenir les meilleurs résultats d'utilisation possibles. Nous espérons que nos explications sont faciles à comprendre et que vous resterez l'un de nos fidèles clients à l'avenir.

Gentile cliente

Grazie per averci accordato la Sua fiducia.

Siamo sicuri che il prodotto che Lei ha acquistato risponderà in pieno alle Sue aspettative. Il prodotto che Lei si accinge ad usare è il risultato di approfonditi studi e meticolose sperimentazioni ed è quanto di più funzionale, sicuro ed apprezzabile, anche sotto il profilo del design, si possa trovare sul mercato.

Questo manuale per il corretto uso e manutenzione La aiuterà a sfruttare al meglio la sua macchina. Sperando che trovi chiare le nostre spiegazioni, ci auguriamo di poterLa sempre annoverare tra i nostri clienti.

Estimado cliente

Ante todo, queremos agradecerle por haber elegido nuestro producto.

Estamos seguros de que el producto que ha adquirido cumplirá con todas sus expectativas. El producto que está a punto de utilizar es el resultado de extensas actividades de investigación y desarrollo. Es la que ofrece el mejor rendimiento, es la más fácil de usar y la mejor diseñada de su clase.

Este manual de instrucciones, en el que se explica la manera correcta de utilizar y mantener su producto, le ayudara a obtener los mejores resultados. Esperamos que nuestras explicaciones le parezcan claras y fáciles de comprender y que siga siendo en el futuro uno de nuestros fieles clientes.

Caro cliente

Em primeiro lugar, obrigado por seleccionar nosso produto.

Estamos confiantes de que o produto que adquiriu ira dar resposta a todas as suas expectativas. O produto que esta prestes a utilizar e o resultado de uma investigacao e desenvolvimento extensivos. Trata-se da máquina mais eficiente, facil de utilizar e bem concebida do seu genero.

Este manual descreve a utilizacao e manutencao correctas e ira ajuda-lo a obter os melhores resultados da sua máquina. Esperamos que considere as nossas explicacoes claras e que possamos continuar a contar com a sua empresa no futuro.

ENGLISH

KRYO 65/ST KRYO 65/AT

1. DESCRIPTION.....	8
2. OPERATION	8
3. MAINTENANCE.....	8
4. TROUBLESHOOTING.....	8
5. TECHNICAL DATA	8
6. INSTALLATION	8
7. FIRST START-UP.....	9
8. DECOMMISSIONING	9
9. INFORMATION FOR SERVICE TECHNICIANS	9

KRYO 65 OD

1. DESCRIPTION.....	10
2. OPERATION	10
3. MAINTENANCE.....	10
4. TROUBLESHOOTING.....	11
5. TECHNICAL DATA	11
6. INSTALLATION	11
7. FIRST START-UP.....	11
8. DECOMMISSIONING	12
9. INFORMATION FOR SERVICE TECHNICIANS	12
10. SOFTWARE	12

DEUTSCH

KRYO 65/ST KRYO 65/AT

1. BESCHREIBUNG.....	14
2. FUNKTIONSWEISE	14
3. REINIGUNG UND PFLEGE	14
4. PROBLEME UND LÖSUNGEN.....	14
5. TECHNISCHE DATEN.....	14
6. INSTALLATION	15
7. INBETRIEBNAHME.....	15
8. STILLLEGUNG	15
9. INFORMATION FÜR DEN KUNDENDIENST	15

KRYO 65 OD

1. BESCHREIBUNG.....	16
2. FUNKTIONSWEISE	16
3. REINIGUNG UND PFLEGE	17
4. PROBLEME UND LÖSUNGEN.....	17
5. TECHNISCHE DATEN.....	17
6. INSTALLATION	17
7. INBETRIEBNAHME.....	17
8. STILLLEGUNG	18
9. INFORMATION FÜR DEN KUNDENDIENST	18
10. SOFTWARE	18

FRANCAIS

KRYO 65/ST KRYO 65/AT

1. DESCRIPTION.....	20
2. FONCTIONNEMENT	20
3. ENTRETIEN.....	20
4. INCONVÉNIENTS ET REMÈDES	20
5. CARACTÉRISTIQUES TECHNIQUES.....	20
6. INSTALLATION	21
7. MISE EN SERVICE.....	21
8. MISE HORS SERVICE	21
9. INFORMATION POUR LE SERVICE D'ASSISTANCE.....	21

KRYO 65 OD

1. DESCRIPTION.....	22
2. FONCTIONNEMENT	22
3. ENTRETIEN.....	22
4. INCONVÉNIENTS ET REMÈDES	23
5. CARACTÉRISTIQUES TECHNIQUES.....	23
6. INSTALLATION	23
7. MISE EN SERVICE.....	23
8. MISE HORS SERVICE	24
9. INFORMATION POUR LE SERVICE D'ASSISTANCE.....	24
10. LOGICIEL.....	24

ITALIANO

KRYO 65/ST KRYO 65/AT

1. DESCRIZIONE	26
2. FUNZIONAMENTO.....	26
3. MANUTENZIONE	26
4. INCONVENIENTI E RIMEDI.....	26
5. DATI TECNICI	26
6. INSTALLAZIONE	27
7. MESSA IN SERVIZIO	27
8. MESSA FUORI SERVIZIO.....	27
9. INFORMAZIONE PER IL SERVIZIO ASSISTENZA	27

KRYO 65 OD

1. DESCRIZIONE	28
2. FUNZIONAMENTO.....	28
3. MANUTENZIONE	29
4. INCONVENIENTI E RIMEDI.....	29
5. DATI TECNICI	29
6. INSTALLAZIONE	29
7. MESSA IN SERVIZIO	29
8. MESSA FUORI SERVIZIO.....	30
9. INFORMAZIONE PER IL SERVIZIO ASSISTENZA	30
10. SOFTWARE	30

ESPAÑOL

KRYO 65/ST KRYO 65/AT

1. DESCRIPCIÓN	32
2. FUNCIONAMIENTO	32
3. MANTENIMIENTO	32
4. PROBLEMAS Y SOLUCIONES.....	32
5. DATOS TÉCNICOS	32
6. INSTALACIÓN	33
7. PUESTA EN MARCHA.....	33
8. PUESTA FUERA DE SERVICIO	33
9. INFORMACIÓN PARA EL SERVICIO DE ASISTENCIA .	33

KRYO 65 OD

1. DESCRIPCIÓN	34
2. FUNCIONAMIENTO	34
3. MANTENIMIENTO	34
4. PROBLEMAS Y SOLUCIONES.....	35
5. DATOS TÉCNICOS	35
6. INSTALACIÓN	35
7. PUESTA EN MARCHA.....	35
8. PUESTA FUERA DE SERVICIO	36
9. INFORMACIÓN PARA EL SERVICIO DE ASISTENCIA .	36
10. SOFTWARE	36

PORTUGUES

KRYO 65/ST KRYO 65/AT

1. DESCRIÇÃO	38
2. FUNCIONAMENTO	38
3. MANUTENÇÃO	38
4. PROBLEMAS E SOLUÇÕES	38
5. DADOS TÉCNICOS.....	38
6. INSTALAÇÃO.....	39
7. COLOCAR EM FUNCIONAMENTO.....	39
8. RETIRAR DE FUNCIONAMENTO	39
9. INFORMAÇÕES PARA O SERVIÇO DE ASSISTÊNCIA .	39

KRYO 65 OD

1. DESCRIÇÃO	40
2. FUNCIONAMENTO	40
3. MANUTENÇÃO	41
4. PROBLEMAS E SOLUÇÕES	41
5. DADOS TÉCNICOS.....	41
6. INSTALAÇÃO.....	41
7. COLOCAR EM FUNCIONAMENTO.....	41
8. RETIRAR DE FUNCIONAMENTO	42
9. INFORMAÇÕES PARA O SERVIÇO DE ASSISTÊNCIA .	42
10. SOFTWARE	42

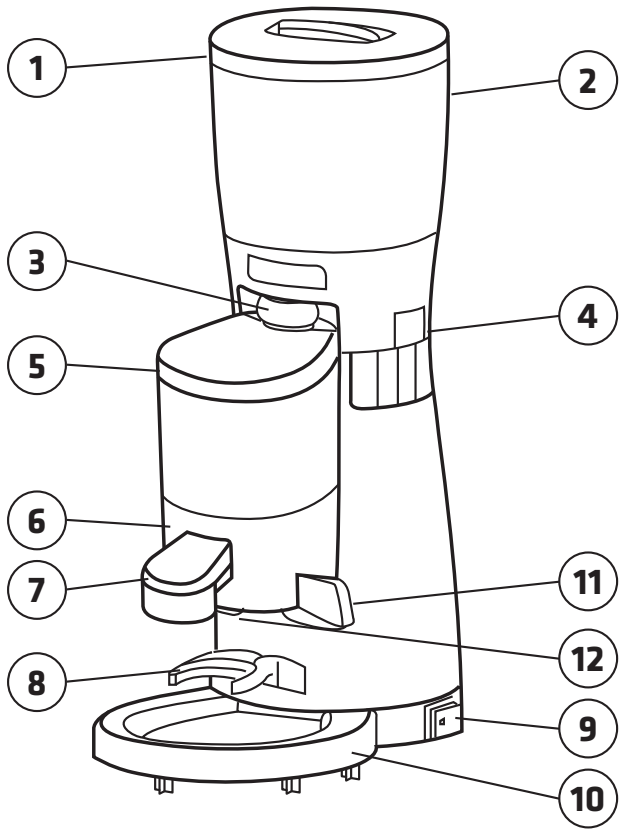


Fig. 1a

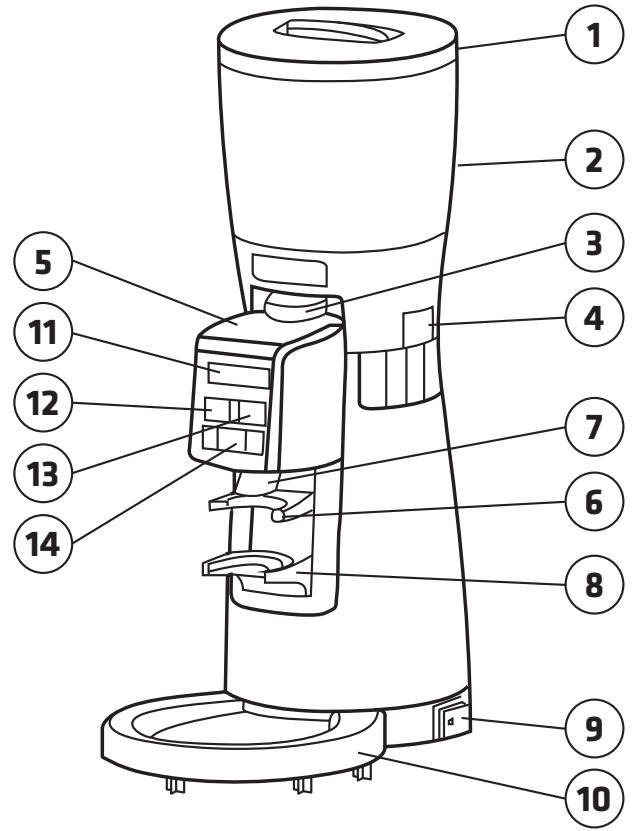


Fig. 1b

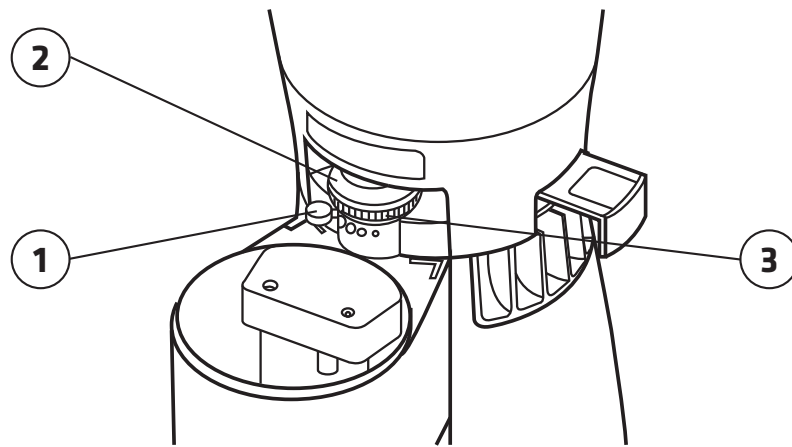


Fig. 2

1		4	
Mod. 2		F.n. 5	
3 ~	P	Pin 6	
	8	9	10
11 Hz			
12		13	

Fig. 3

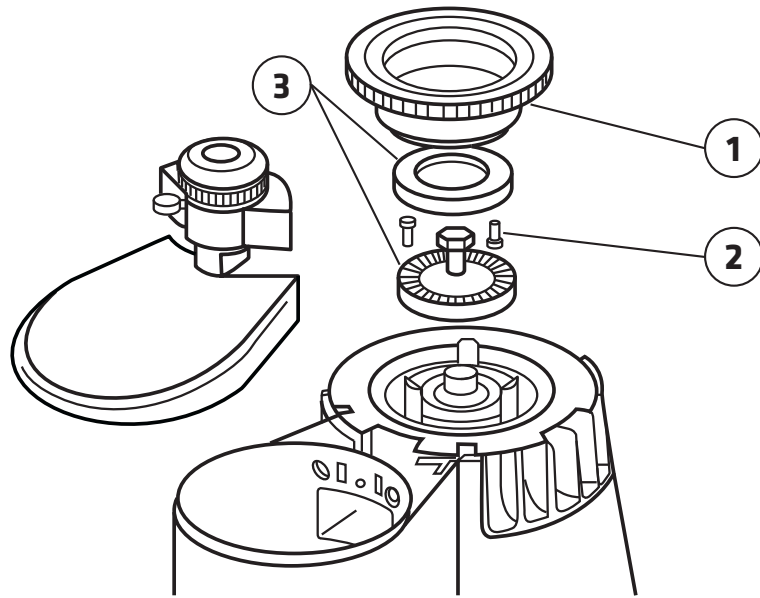


Fig. 4

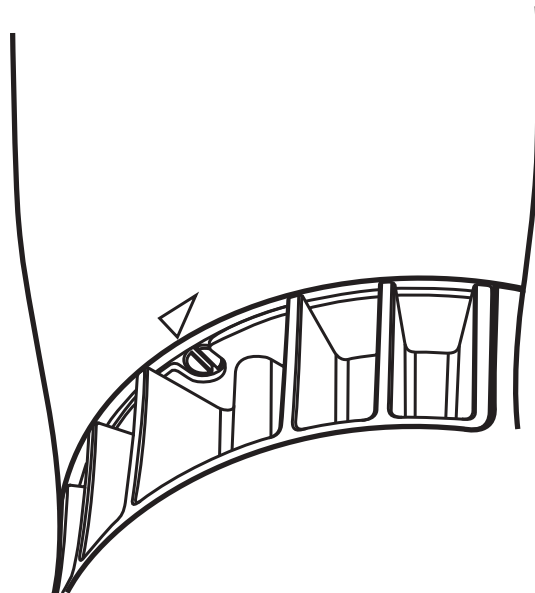


Fig. 5

ENGLISH

KRYO 65/ST KRYO 65/AT Coffee doser grinder

1. DESCRIPTION

KRYO 65/ST

Manual-switch operated coffee grinder

KRYO 65/AT

Automatic coffee grinder with optional manual-switch operation

Legend (Fig. 1a)

1. Hopper lid
2. Bean hopper
3. Adjustment knob
4. Hopper locking slide
5. Doser lid
6. Doser
7. Tamper
8. Filter holder fork
9. Main switch
10. Grounds tray
11. Dosing lever
12. Doser adjustment knob

2. OPERATION

KRYO 65 is equipped with a locking device to secure the bean hopper (Fig. 5). Lock the device when the grinder is in use.

The locking device is marked on the outside of the bean hopper. If the slot of the device points to the marking, the bean hopper can be mounted or removed. To secure the bean hopper turn the slot to the left.

KRYO 65/ST

Main switch (Fig. 1-9) with two positions; when switched on, the machine is on and starts coffee grinding.

KRYO 65/AT

Press the main switch (Fig. 1-9). The grinding will then take place automatically. It shuts off when the doser is full enough.

Only grind the amount of coffee required for your immediate needs, since leaving ground coffee unused for too long can result in loss of freshness and flavor.

Do not regrind coffee that has already been ground.

- Place the filter holder in the filter holder fork (Fig. 1-8), pull the dosing lever (Fig. 1a-11) firmly towards you and release, repeating the action for each dose of coffee required.
- Level out the coffee contained in the filter, position the filter holder under the tamper (Fig. 1a-7) and raise gently to tamp the coffee;
- Check that there are no coffee grounds on the rim of the filter holder.

3. MAINTENANCE

Maintenance operations should be carried out with the machine turned off and with the plug removed from the power source.

We recommend the cleaning products you can buy from us.

Do not use metallic or abrasive tools, such as steel wool, metal brushes, needles, etc., or detergents (alcohol etc.), but simply a damp cloth or sponge.

3.1. Daily

- Clean the housing and the grounds tray.
- Clean fork area for the filter holder.
- Clean the coffee outlet with a brush.

3.2. Periodically or after intense use

Empty the bean hopper, and clean it of oily residues left by the coffee with a mild soap solution. Rinse thoroughly!

Waste materials used for processing or maintenance, if not biodegradable or pollutant, should be placed in separate containers and taken to suitable collection centers.

4. TROUBLESHOOTING

Inspection that can be carried out by the user

For any type of problem or difficulty not specified here, unplug the machine, refrain from attempting to repair or inspect the machine yourself and contact an authorized service technician.

A) The machine does not turn on:

- Check that it is plugged in;
- Check that there is power being supply and that the automatic circuit breaker or main switch is turned on;
- Check the condition of the plug and supply cable, and if damaged, have them replaced by a qualified technician.

B) Coffee is not ground:

- Check that there are coffee beans in the bean hopper;
- Check that the hopper locking slide is open (lever inwards)

C) Long grinding time

- Check the grind adjustment setting;
- Have the burrs replaced by qualified staff?

D) Dose size varies:

- Carefully clean the doser and the coffee dispenser outlet
- Check that the dosing lever can move freely and is not obstructed in any way.

5. TECHNICAL DATA

Versions		KRYO 65/ST KRYO 65/AT
Machine size	mm	L.220 - D.385 - H.575
Net weight of machine	kg	13
Production	kg/h	7-9
Bean hopper capacity	g	1300
Dose adjustment	g	5-10

Identification details, specifications plate (Fig. 3)

1. Manufacturer
2. Model and version
3. Voltage
4. EC Conformity mark
5. Serial number
6. Pin
7. Total absorption
8. --
9. --
10. --
11. Frequency
12. Conformity marks
13. Date of manufacture

6. INSTALLATION

Installation must be performed by a qualified technician.

The machine is delivered ready for installation according to the data on the plate Fig. 3.

Check that the main power supply is compatible with the machine. Check that the machine, the accessories, the supply cable and the plug are intact, and in the event of damage, inform the retailer promptly.

The machines have been designed and built for grinding coffee beans for professional use.

Any other use is to be considered improper and thus dangerous.

7. FIRST START-UP

7.1. Description of commands

KRYO 65/ST

Main switch (Fig. 1-9) with two positions. When switched on, the machine is on and starts coffee grinding.

KRYO 65/AT

Main switch (Fig. 1-9) has two positions; in position (I), the machine is on and automatically shuts off when the doser is full enough.

7.2. Grind setting

The manufacturer tests the coffee grinder with a medium grind setting. The setting depends on the type of coffee used.

- Place a small quantity of coffee beans in the bean hopper and close the lid;
- Check that the hopper locking slide is open (Fig. 1-4) pushed in)
- Grind a small quantity of coffee;
- Position the filter holder on the filter holder fork (Fig. 1-8), then pull the dosing lever (Fig. 1a-11) to dispense a dose of ground coffee;
- Brew some coffee, checking the dispensing time, the appearance of the coffee and its taste, considering that excessively coarse grounds produce light colored coffee without a crema, while grounds that are too fine result in strong, dark coffee without a crema.
- If the coffee does not respond to your desired requirements, adjust grind fineness by pressing the ring block button (Fig. 2-1) and turning the regulation knob (Fig. 2-3) counter-clockwise for a finer grind or clockwise for a coarser grind.
- Repeat the operation until you have obtained the desired quality of coffee.

Recalibration of the grind is typically only necessary after a change in coffee. Minor adjustments may be required throughout use to accommodate for changes in freshness of the beans.

7.3. Adjusting the ground coffee dose

Adjust the dose as followed:

- Turn the knob below the doser (Fig. 1a-12) counter-clockwise to increase the dose or clockwise to decrease the dose.
- Pull 6 times the lever (Fig. 1a-11) and check the dose each time. Take care that the dosing star is completely covered with ground coffee

8. DECOMMISSIONING

8.1. Temporary

- Close the hopper and grind the coffee beans remaining between the burrs.
- Turn off the main switch and unplug the appliance from the power source;
- Remove the ground coffee and any coffee beans remaining in the bean hopper.
- Perform cleaning and maintenance operations;
- Coil up the supply cable and attach it to the machine using adhesive tape;
- Cover the machine and place it in a dry place, sheltered from bad weather and to which you have exclusive access.

8.2. Final

In addition to the operations of temporary decommissioning:

- Cut the power cable,
- Pack up the machine using cardboard or similar materials and hand it over to specialized operators (authorized waste disposal collectors or dealers in second-hand goods)

9. INFORMATION FOR SERVICE TECHNICIANS

9.1. Replacement of burrs

Although manufactured in tempered steel, the burrs are subject to wear and tear.

Their lifespan is influenced by the amount of coffee ground, its hardness and degree of roasting, as well as the quantity and purity of the coffee beans.

Small stones and various impurities have a marked abrasive action that significantly reduces the lifespan of the burrs.

When grinding time becomes noticeably longer or the grind becomes irregular, the burrs should be replaced as follows:

- Pull the hopper locking slide (Fig. 1-4);
- Start the grinder to grind the coffee remaining between the burrs;
- Once grinding has finished, turn off the machine and unplug from the power source;
- Empty the bean hopper (Fig. 1-2);
- Remove the regulation knob (Fig. 1-3);
- Turn the upper burr-holder (Fig. 4-1) counter-clockwise until the head emerges completely;
- Unscrew the screws (Fig. 4-2) and remove the burrs (Fig. 4-3) from the burr-holder;
- Carefully clean the burr supports, the burr-holder thread and its housing;
- Position the new burrs in their holders and block them firmly in place;
- Reassemble the machine, performing the previous steps in reverse.
- Calibrate the new burrs.

9.2. Calibration of grinder burrs

To be performed after burr replacement

Hold down the adjustment unlock button (Fig. 2-1) and at the same time slowly turn the adjustment knob (Fig. 2-3) counter-clockwise until the burrs brush against each other. Turn the numbered ring (Fig. 2-2) so that the starting point 0 is frontal; move the adjustment knob (Fig. 2-3) in the opposite direction (clockwise).

KRYO 65 OD

Coffee grinder on demand

1. DESCRIPTION

KRYO 65 OD

Automatic on demand coffee grinder

Legend (Fig. 1b)

1. Hopper lid
2. Bean hopper
3. Adjustment knob
4. Hopper locking slide
5. Protection lid
6. Filter holder button
7. Coffee outlet
8. Filter holder fork
9. Main switch
10. Grounds tray
11. Display
12. Single dose button
13. Double dose button
14. Customized dose button

2. OPERATION

KRYO 65 is equipped with a locking device to secure the bean hopper (Fig. 5). Lock the device when the grinder is in use.

The locking device is marked on the outside of the bean hopper. If the slot of the device points to the marking, the bean hopper can be mounted or removed. To secure the bean hopper turn the slot to the left.

Press the main switch (Fig. 1-9). The grinding will take place in two modes.

The modes and the way to activate the grinding are configured in the software and can be changed by the user if needed.

Do not regrind coffee, which has already been ground.

2.1. Automatic mode

In the "Automatic" mode, the grinder continues to grind until the pre-programmed dose has been dispensed. If grinding is stopped during dispensing the dose has been cancelled.

Activation by filter holder:

- Select the dose of coffee requested - single, double or customized dose (Fig. 1b-12 to 14). The LED of the selected dose button will be illuminated. The customized dose button has no LED. The selected dose will be shown in the display.
 - Place the filter holder in the filter holder fork (Fig. 1-8) by pressing the filter holder button (Fig. 1b-6) once.
 - The grinder runs the predefined time and stops automatically.
 - To cancel before, press the selected button again on the keypad. The grinding cannot be continued.
 - Level out the coffee contained in the filter and tamp the coffee with the tamper;
 - Check that there are no coffee grounds on the rim of the filter holder.
-
- Alternatively and if selected in the menu <Pre-Selection "No">the dose can be selected with the filter holder.
 - Place the filter holder in the filter holder fork (Fig. 1-8) by pushing the filter holder button (Fig. 1b-6) once for a single dose and twice for a double dose. The selected dose will be shown in the display and the LED on the button of the selected dose will be illuminated. In this mode no customized dose is available.

- The grinder runs the predefined time and stops automatically.
- To cancel before, press any button on the keypad. The grinding cannot be continued.
- Level out the coffee contained in the filter and tamp the coffee with the tamper;
- Check that there are no coffee grounds on the rim of the filter holder.

Activation by keypad:

- Place the filter holder in the filter holder fork (Fig. 1-8).
- Select the dose of coffee requested - single, double or customized dose (Fig. 1b-12 to 14). The LED of the selected dose glows. The customized dose button has no LED. The selected dose will also be shown in the display.
- The grinder runs the predefined time and stops automatically.
- To cancel before, press the selected button again on the keypad. The grinding cannot be continued.
- Level out the coffee contained in the filter and tamp the coffee with the tamper;
- Check that there are no coffee grounds on the rim of the filter holder.

2.2. On Demand mode

In the "On demand" mode the grinding may be paused during dispensing and restarted.

Activation by filter holder:

- Select the dose of coffee requested - single, double or customized dose (Fig. 1b-12 to 14). The LED of the selected dose will be illuminated. The customized dose button has no LED. The selected dose will also be shown in the display
- Place the filter holder in the filter holder fork (Fig. 1-8) and press it to the filter holder button (Fig. 1b-6).
- The grinder runs the predefined time and stops automatically.
- To pause the grinding before its finished dispensing, release the filter holder button, reactivate the dispensing by pressing and holding the filter holder button.
- To cancel before its finished dispensing, release the filter holder button, then press any button on the keypad.
- Level out the coffee contained in the filter and tamp the coffee with the tamper;
- Check that there are no coffee grounds on the rim of the filter holder.

Activation by keypad:

- Place the filter holder in the filter holder fork (Fig. 1-8).
- Select the dose of coffee requested - single, double or customized dose (Fig. 1b-12 to 14). The LED of the selected dose will be illuminated. The customized dose button has no LED. The selected dose will also be shown in the display
- The grinder runs the predefined time and stops automatically.
- To interrupt before its finished grinding, press the same button of the keypad. The LED blinks now. The grinding can be continued by pressing the same button again. The grinding will be stopped with any other button and cannot be continued.
- Level out the coffee contained in the filter and tamp the coffee with the tamper;
- Check that there are no coffee grounds on the rim of the filter holder.

2.3. Customized button

If the customized button is set to 0.0, it can be used as continuous button which is limited to 10 sec. If you need a longer continuous time, hold the continuous button during the 10 seconds until the text in the first line of the display change and it runs for max. 300 sec.

To stop the grinding press the continuous button again.

3. MAINTENANCE

Maintenance operations should be carried out with the machine turned off and with the plug removed from the power source.

We recommend the cleaning products you can buy from us.

Do not use metallic or abrasive tools, such as steel wool, metal brushes, needles, etc., or detergents (alcohol etc.), but simply a damp cloth or sponge.

3.1. Daily

- Clean the housing and the grounds tray.
- Clean fork area for the filter holder.
- Clean the coffee outlet with a brush.

3.2. Periodically or after intense use

Empty the bean hopper, and clean it of oily residues left by the coffee with a mild soap solution. Rinse thoroughly!

Waste materials used for processing or maintenance, if not biodegradable or pollutant, should be placed in separate containers and taken to suitable collection centers.

3.3. Burr replacement

KRYO 65 OD has an integrated counter, which informs the user after the predefined amount of coffee is grinded, that the burrs have to be replaced.

This alert can be activated by the service technician during the commissioning. We recommend activating the alarm.

The burr replacement has to be done by a qualified service technician only.

Please get in contact with your local sales organization.

4. TROUBLESHOOTING

Inspection that can be carried out by the user

For any type of problem or difficulty not specified here, unplug the machine, refrain from making attempts to repair or inspect the machine yourself and contact an authorized service technician.

A) The machine does not turn on:

- Check that it is plugged in;
- Check that there is power being supply and that the automatic circuit breaker or main switch is turned on;
- Check the condition of the plug and supply cable, and if they are damaged have them replaced by a qualified technician.

B) Coffee is not ground:

- Check that there are coffee beans in the bean hopper;
- Check that the hopper locking slide is open (lever inwards)

C) Long grinding time

- Check the grind setting;
- Have the burrs replaced by qualified staff.

5. TECHNICAL DATA

Version		KRYO 65 OD
Machine size	mm	L.220 - D.356 - H.575
Net weight of machine	kg	13
Production	g/s	3.5
Bean hopper capacity	g	1300

Identification details, specifications plate (Fig. 3)

1. Manufacturer
2. Model and version
3. Voltage
4. EC Conformity mark
5. Serial number
6. Pin
7. Total absorption
8. - -
9. - -
10. - -
11. Frequency
12. Conformity marks
13. Date of manufacture

6. INSTALLATION

A qualified technician must perform installation.

The machine is delivered ready for installation according to the data on the plate Fig. 3.

Check that the main power supply is compatible with the machine.

Check that the machine, the accessories, the supply cable and the plug are intact, and in the event of damage, inform the retailer promptly.

The machines have been designed and built for grinding coffee beans for professional use.

Any other use is to be considered improper and thus dangerous.

7. FIRST START-UP

7.1. Description of commands

Main switch (Fig. 1-9) with two positions; when switched on, the machine is ready for coffee grinding.

7.2. First startup

KRYO 65 OD has a startup menu to select the personal preferences of the operator, when switched on for the first time. Operator has to choose the language, the mode, the pre-selection and the way to activate the grinding. After choosing the preferences, the display will show a message "Do Calibration". The calibration has to be done with the procedure shown in the software structure under Counter/Burrs/Calibration.

This message will be shown after each preparation up to the time, the calibration has been done.

7.3. Grind setting

The grinders are tested by the manufacturer with a medium grind setting. The setting depends on the type of coffee used.

- Place a small quantity of coffee beans in the bean hopper and close the lid;
- Check that the hopper locking slide is open (Fig. 1-4)
- Position the filter holder on the filter holder fork (Fig. 1-8) and grind coffee;
- Brew some coffee, checking the dispensing time, the appearance of the coffee and its taste, considering that excessively course grounds produce light colored coffee without a crema, while grounds that are too fine result in strong, dark coffee without a crema.
- If the coffee does not respond to your desired requirements, adjust grind fineness by pressing the ring block button (Fig.

- 2-1) and turning the regulation knob (Fig. 2-3) counter-clockwise for a finer grind or clockwise for a coarser grind.
- Repeat the operation until you have obtained the desired quality of coffee.

Recalibration of the grind is typically only necessary after a change in coffee. Minor adjustments may be required throughout use to accommodate for changes in freshness of the beans.

8. DECOMMISSIONING

8.1. Temporary

- Close the hopper and grind the coffee beans remaining between the burrs.
- Turn off the switch and unplug the appliance from the power source;
- Remove any coffee beans remaining in the bean hopper.
- Perform cleaning and maintenance operations;
- Coil up the supply cable and attach it to the machine using adhesive tape;
- Cover the machine and place it in a dry place, sheltered from bad weather and to which you have exclusive access.

8.2. Final

In addition to the operations of temporary decommissioning:

- Cut the power cable,
- Pack up the machine using cardboard or similar materials and hand it over to specialized operators (authorized waste disposal collectors or dealers in second-hand goods)

9. INFORMATION FOR SERVICE

TECHNICIANS

9.1. Replacement of burrs

Although manufactured in tempered steel, the burrs are subject to wear and tear.

Their lifespan is influenced by the amount of coffee ground, its hardness and degree of roasting, as well as the quantity and purity of the coffee beans.

Small stones and various impurities have a marked abrasive action which significantly reduces the lifespan of the burrs.

When grinding time becomes noticeably longer or the grind becomes irregular, the burrs should be replaced as follows:

- Pull the hopper locking slide (Fig. 1-4);
- Start the grinder to grind the coffee remaining between the burrs;
- Once grinding has finished, turn off the machine and unplug from the power source;
- Empty the bean hopper (Fig. 1-2);
- Remove the regulation knob (Fig. 1-3);
- Turn the upper burr-holder (Fig. 4-1) counter-clockwise until the head emerges completely;
- Unscrew the screws (Fig. 4-2) and remove the burrs (Fig. 4-3) from the burr-holder;
- Carefully clean the burr supports, the burr-holder thread and its housing;
- Position the new burrs in their holders and block them firmly in place;
- Reassemble the machine, performing the previous steps in reverse.
- Calibrate the new burrs.

9.2. Calibration of grinder burrs

To be performed after burr replacement

The grinders are tested with a medium grind setting, and need to be readjusted. This operation should be carried out with the bean hopper empty.

Remove the protection lid (Fig. 1b-5), hold down the adjustment unlock button (Fig. 2-1) and at the same time slowly turn the adjustment knob (Fig. 2-3) counter-clockwise until the burrs brush against each other. Release the button, turn the numbered ring (Fig. 2-2) so that the starting point 0 is frontal; move the adjustment knob (Fig. 2-3) in the opposite direction (clockwise).

9.3. Technician menu

Must be performed by a qualified technician.

The access to the technician menu is given by switching off the grinder. Switch on the main switch (Fig. 1-9) while pressing the confirmation button.

10. SOFTWARE

KRYO 65 OD has three menus to operate with.

10.1 Use of Buttons

To configure the KRYO 65 OD the dose buttons will be used with an additional function.

The single dose button (Fig. 1b-12) will be used as “-“button, the double dose button (Fig. 1b-13) as “+“button and both buttons to browse through the menu. The customized dose button (Fig. 1b-14) is used as confirmation or ESC-button depending on the menu accessed.

10.2 Dosing menu

In the dosing menu the amount of coffee dispensed by one button can be changed.

- Press the selected button for 3 seconds
- Change the value of the specific button
- Confirm the change with the confirmation button

10.3 Barista menu

Open the “Barista Menu” by pressing the confirmation button (Fig. 1-14) for 5 seconds.

Any additional information is given in the software tree below.

10.4 Technician menu

Must be performed by a qualified technician.

The parameters with the grey background are only accessible for the service technician

The access to this menu is given in another chapter of the manual.

Software

Dosing	Single	Time to grind the single dose in seconds	
	Double	Time to grind the double dose in seconds	
	Customized	Time to grind the customized dose in seconds	
	ESC	Leave the menu	
Mode	Automatic	Sets the grinder in the "Automatic" mode, the grinding cannot be paused during dispensing	
	On Demand	Sets the grinder in the "On Demand" mode, the grinding can be paused during dispensing	
	ESC	Leave the menu	
Start dose	by keyboard	The grinding will be started by pressing the requested button	
	by filter holder	The grinding will be started by the filter holder when touching the filter holder button.	
		Preselection	The preselection is only available in the Automatic mode. With "Yes" the dose selection will be done by the keypad; "No" means the dose selection will be done by pushing the filter holder to the filter holder button once for a single dose or two times for a double dose. A customized dose is not available with preselection.
		ESC	Leave the menu
	Language	English, Deutsch ...	Select the language – Italiano, English, Deutsch, Français, Espanol or Portugues and confirm
Counters	ESC	Leave the menu	
	Total	Single	Displays the total number of single dose prepared. Not resettable
Double		Displays the total number of double dose prepared. Not resettable	
Customized		Displays the total number of customized dose prepared. Not resettable	
ESC		Leave the menu	
Counter	Single	Displays the number of single dose prepared since the last reset	
	Double	Displays the number of double dose prepared since the last reset	
	Customized	Displays the number of customized dose prepared since the last reset	
	Reset	Resets all dose counters	
	ESC	Leave the menu	
Burs	Calibration	The adjustment of the grinder is done with this submenu and starts with the confirmation. Do the calibration after finding the right coarseness!	
	Grinding	Starts to grind coffee for a defined time. The coffee must be scaled. Take three samples and calculate the average.	
	Weight	The amount of scaled coffee will be adjusted here and confirmed	
	Alarm	Amount of coffee in kg when the burs have to be changed. With "0" the alarm is disabled	
	Counter	Shows the amount of coffee grinded in kg	
	Reset	Resets the burr counter	
ESC	ESC	Leave the menu	
	ESC	Leave the menu	
ESC	Leave the menu	Leave the menu	

DEUTSCH

KRYO 65/ST KRYO 65/AT Kaffeemühle mit Dosierer

1. BESCHREIBUNG

KRYO 65/ST

Kaffeemühle mit manueller Ein- und Ausschaltung

KRYO 65/AT

Automatische Kaffeemühle mit manueller Ein- und Ausschaltmöglichkeit

Legende (Fig. 1a)

1. Bohnenbehälterdeckel
2. Bohnenbehälter
3. Regler
4. Bohnenbehälterverschluss
5. Dosiererdeckel
6. Dosierer
7. Kaffeepresser
8. Siebträgeraufnahmeabel
9. Hauptschalter
10. Auffangschale
11. Dosierhebel
12. Einstellknopf für Dosiermenge

2. FUNKTIONSWEISE

Der Bohnenbehälter der KRYO 65 ist mit einem Verschluss zum Sichern im Betrieb ausgestattet (Fig. 5). Der Verschluss muss geschlossen sein, wenn die Mühle benützt wird.

Der Verschluss ist an der Aussenseite des Bohnenbehälters markiert. Wenn der Schlitz des Verschlusses zur Markierung zeigt, kann der Bohnenbehälter abgenommen oder montiert werden. Um den Bohnenbehälter zu verriegeln, wird der Schlitz nach links gedreht.

KRYO 65/ST

Kaffee nach Bedarf durch Betätigen des Hauptschalters (Fig. 1-9) mahlen.

KRYO 65/AT

Hauptschalter (Fig. 1-9) betätigen; der Mahlvorgang wird automatisch durchgeführt und schaltet ab, wenn Dosierer genügend gefüllt ist.

Es wird empfohlen, immer nur die für den sofortigen Bedarf notwendige Menge zu vermahlen, da zu lange aufbewahrter gemahlener Kaffee an Frische und Aroma verliert.

Bereits gemahlene Kaffee nicht nochmals mahlen.

- Siebträger in die Aufnahmegabel (Fig. 1-8) einsetzen, Dosierhebel (Fig. 1a -11) ein- oder mehrmals kräftig zu sich ziehen und wieder loslassen, jedes Betätigen des Dosierhebels entspricht einer Portion.
- Kaffee im Sieb glattstreichen, Siebträger unter den Kaffeepresser (Fig. 1a-7) schieben und den Kaffee nicht allzu kräftig festdrücken.
- Darauf achten, dass keine Kaffeereste auf dem Rand des Siebträgers verbleiben.

3. REINIGUNG UND PFLEGE

Reinigungsarbeiten immer bei ausgeschaltetem Gerät vornehmen und den Netzstecker aus der Steckdose ziehen.

Wir empfehlen die Reinigungsmittel, die bei uns gekauft werden können.

Keine metallischen oder scheuernden Hilfsmittel wie Stahlwolle, Stahlbürsten, Nadeln etc. und auch keine aggressiven Reinigungsmittel (Alkohol etc.) verwenden, sondern ein feuchtes Tuch oder einen feuchten Schwamm.

3.1. Tägliche Reinigung

- Mühlengehäuse und Auffangschale reinigen.
- Dosierbereich unter dem Dosierer reinigen.
- Kaffeeauswurf mit einem Pinsel reinigen

3.2. Regelmässige Pflege und Reinigung nach intensivem Gebrauch

Bohnenbehälter entleeren und fettige Kaffeerückstände mit einer milden Seifenlauge entfernen. Sorgfältig spülen!

Für Reinigung und Pflege verwendete Stoffe, die nicht biologisch abbaubar bzw. umweltschädlich sind, in getrennten Behältern den Abfallsammelstellen abgeben.

4. PROBLEME UND LÖSUNGEN

Vom Bediener durchführbare Kontrollen

Bei allen anderen nicht spezifizierten Defekten oder Problemen den Netzstecker ziehen, jedoch keine direkten Reparaturen oder Kontrollen vornehmen, sondern den technischen Kundendienst hinzuziehen.

A) Das Gerät lässt sich nicht einschalten:

- Prüfen, ob der Netzstecker eingesteckt ist.
- Prüfen, ob Netzstrom vorhanden, der FI-Schalter nicht herausgesprungen und der Hauptschalter am Gerät eingeschaltet ist.
- Netzstecker und Anschlusskabel auf Funktionstüchtigkeit prüfen. Bei Beschädigungen vom Fachmann austauschen lassen.

B) Die Mühle mahlt nicht:

- Prüfen, ob der Bohnenbehälter mit Kaffeebohnen gefüllt ist.
- Prüfen, ob der Bohnenbehälterverschluss offen ist (Verschluss nach innen).

C) Das Mahlen dauert zu lange:

- Mahlgradeinstellung kontrollieren.
- Mahlscheiben vom Fachmann austauschen lassen.

D) Die Dosierung ist ungleichmässig:

- Dosierer und Pulverauswurf sorgfältig reinigen.
- Prüfen, ob der Dosierhebel frei beweglich ist und sich komplett verschieben lässt.

5. TECHNISCHE DATEN

Versionen		KRYO 65/ST KRYO 65/AT
Abmessungen	mm	L.220 - B.385 - H.575
Nettogewicht	kg	13
Leistung	kg/h	7-9
Inhalt Bohnenbehälter	g	1300
Einstellung der Dosierung	g	5-10

Kenndaten auf dem Typenschild (Fig. 3)

1. Hersteller
2. Modell und Version
3. Spannung
4. CE-Kennzeichnung
5. Seriennummer
6. Pin
7. Anschlussleistung
8. --

- 9. --
- 10. --
- 11. Frequenz
- 12. Konformitätszeichen
- 13. Produktionsdatum

6. INSTALLATION

Die Installation muss von einem qualifizierten Techniker vorgenommen werden.

Das Gerät wird installationsbereit gemäss den Kenndaten in Fig. 3 geliefert.

Sicherstellen, dass die Anschlussleitung dieselben Eigenschaften wie das Gerät hat.

Mühle, Zubehörteile, Anschlusskabel und Stecker auf Schäden prüfen und gegebenenfalls umgehend den Händler informieren.

Das Gerät wurde für das Mahlen von Kaffeebohnen im professionellen Einsatz konzipiert und gebaut.

Jede andere Verwendung gilt als nicht bestimmungsgemäss und ist gefährlich.

7. INBETRIEBNAHME

7.1. Beschreibung der Bedienelemente

KRYO 65/ST

Hauptschalter (Fig. 1-9) mit zwei Stellungen. In Stellung (I) wird die Stromzufuhr aktiviert und der Mahlvorgang gestartet.

KRYO 65/AT

Hauptschalter (Fig. 1-9) mit zwei Stellungen. In Stellung (I) wird die Stromzufuhr aktiviert. Der Mahlvorgang wird automatisch durchgeführt

7.2. Mahlgradjustierung

Die Kaffeemühle wird vom Hersteller mit einer mittleren Mahlgradeinstellung ausgeliefert. Welcher Mahlgrad gewählt wird, hängt von der verwendeten Kaffeesorte ab.

- Eine kleine Menge Kaffeebohnen in den Bohnenbehälter einfüllen und den Deckel schliessen.
- Prüfen, ob der Behälter offen ist (Bohnenbehälterverschluss (Fig. 1-4) eingeschoben).
- Eine kleine Portion Kaffee mahlen:
- Siebträger in die Aufnahmegabel (Fig. 1-8) einsetzen und Dosierhebel (Fig. 1a-11) betätigen, um die gemahlene Portion Kaffee zu entnehmen.
- Einen Kaffee zubereiten und dabei die Brühdauer, die Farbe und den Geschmack kontrollieren. Ein zu grober Mahlgrad ergibt hellen Kaffee ohne Crema, während ein zu feiner Mahlgrad starken, dunklen Kaffee ohne Crema ergibt.
- Fällt der Kaffee nicht wunschgemäss aus, Mahlgrad durch Drücken des Verriegelungsknopfs (Fig. 2-1) und Drehen des Reglers (Fig. 2-3) gegen den Uhrzeigersinn für einen feineren Mahlgrad bzw. im Uhrzeigersinn für einen gröberen Mahlgrad einstellen.
- Vorgang so lange wiederholen, bis die gewünschte Kaffeequalität erreicht ist.

Eine Mahlgradjustierung ist normalerweise nur beim Wechsel des Kaffees notwendig. Kleinere Anpassungen können während der gesamten Benutzung aufgrund unterschiedlicher Frische der Kaffeebohnen erforderlich sein.

7.3. Einstellung der Dosierung

Zum Einstellen der Dosierung wie folgt vorgehen:

- Um die Menge zu erhöhen, den Knopf (Fig. 1a-12) unter dem Dosierer gegen den Uhrzeigersinn drehen, zum Reduzieren im Uhrzeigersinn drehen.

- Den Dosierhebel (Fig. 1a-11) 6-mal betätigen und jedes Mal die Portion prüfen. Es ist darauf achten, dass dabei der Dosierstern komplett mit Kaffeepulver bedeckt ist.

8. STILLLEGUNG

8.1. Vorübergehend

- Bohnenbehälter schliessen und die zwischen den Mahlscheiben verbliebenen Bohnen mahlen.
- Gerät abschalten und Netzstecker aus der Steckdose ziehen.
- Gemahlene Kaffee und eventuell im Bohnenbehälter verbliebene Bohnen entfernen.
- Reinigung durchführen.
- Stromkabel aufwickeln und mit Klebeband am Gerät fixieren.
- Gerät abdecken und an einem trockenen, witterungsgeschützten und sicheren Ort aufbewahren.

8.2. Endgültig

Zusätzlich zur vorübergehenden Stilllegung ist Folgendes vorzunehmen:

- Anschlusskabel durchschneiden,
- Gerät mit Karton oder anderem Material verpacken und der zuständigen Stelle übergeben (autorisierte Abfallentsorgung oder Rücknahmestelle für Altgeräte).

9. INFORMATION FÜR DEN KUNDENDIENST

9.1. Mahlscheibenwechsel

Die Mahlscheiben sind zwar aus gehärtetem Stahl gefertigt, nutzen sich aber mit der Zeit ab.

Ihre Lebensdauer ist von der gemahlene Kaffeemenge, von Härte und Röstgrad der Kaffeebohnen sowie von der Reinheit des Mahlgutes abhängig.

Steinchen und andere Verunreinigungen haben eine stark scheuernde Wirkung, die die Lebensdauer der Mahlscheiben beträchtlich verkürzen kann.

Wenn der Mahlvorgang ungewöhnlich lange dauert oder das Mahlergebnis unregelmässig ausfällt, sind die Mahlscheiben wie folgt zu wechseln:

- Bohnenbehälterverschluss (Fig. 1-4) betätigen.
- Mühle starten, um die zwischen den Mahlscheiben verbliebenen Bohnen zu mahlen.
- Nach Ende des Mahlvorgangs Gerät ausschalten und Anschlusskabel abziehen.
- Bohnenbehälter (Fig. 1-2) entleeren.
- Regler (Fig. 1-3) entfernen.
- Oberen Mahlscheibenhalter (Fig. 4-1) gegen den Uhrzeigersinn drehen, bis der Block komplett herausgefahren ist.
- Schrauben (Fig. 4-2) lösen und Mahlschreiben (Fig. 4-3) aus der Halterung nehmen.
- Auflageflächen der Mahlscheiben sowie Gewinde und Sitz des Mahlscheibenhalters sorgfältig reinigen.
- Die neuen Mahlscheiben in die entsprechenden Halterungen einsetzen und fixieren.
- Alle Teile in umgekehrter Reihenfolge wieder montieren.
- Die neuen Mahlscheiben kalibrieren.

9.2. Kalibrierung der Mahlscheiben

Nach Mahlscheibenwechsel durchführen

Den Verriegelungsknopf (Fig. 2-1) gedrückt halten und gleichzeitig den Regler (Fig. 2-3) langsam gegen den Uhrzeigersinn drehen, bis sich die Mahlscheiben berühren. Den nummerierten Ring (Fig. 2-2) in Nullstellung drehen und so einstellen, dass die 0 nach vorne zeigt. Dann den Regler (Fig. 2-3) in die Gegenrichtung (im Uhrzeigersinn) drehen.

KRYO 65 OD

On Demand Kaffeemühle

1. BESCHREIBUNG

KRYO 65 OD

Automatische On Demand Kaffeemühle

Legende (Fig. 1b)

1. Bohnenbehälterdeckel
2. Bohnenbehälter
3. Regler
4. Bohnenbehälterverschluss
5. Schutzabdeckung
6. Siebträgertaste
7. Kaffeeauswurf
8. Siebträgeraufnahme gabel
9. Hauptschalter
10. Auffangschale
11. Display
12. Taste für Einzelportion
13. Taste für Doppelte Portion
14. Taste für kundenspezifische Portion

2. FUNKTIONSWEISE

Die Bohnenbehälter der KRYO 65 ist mit einem Verschluss zum Sichern im Betrieb ausgestattet (Fig. 5). Der Verschluss muss geschlossen sein, wenn die Mühle benützt wird.

Der Verschluss ist an der Aussenseite des Bohnenbehälters markiert. Wenn der Schlitz des Verschlusses zur Markierung zeigt, kann der Bohnenbehälter abgenommen oder montiert werden. Um den Bohnenbehälter zu verriegeln, wird der Schlitz nach links gedreht.

Hauptschalter (Fig. 1-9) betätigen. Der Mahlvorgang wird in zwei Betriebsarten durchgeführt.

Die Betriebsart und wie der Mahlvorgang gestartet wird, ist in der Software festgelegt und kann bei Bedarf vom Bediener geändert werden.

Bereits gemahlene Kaffee nicht nochmals mahlen.

2.1. Automatik Modus

Im "Automatik" Modus mahlt die Kaffeemühle bis die gewählte Portion zubereitet ist. Wird die Zubereitung gestoppt, wird diese abgebrochen.

Start mit dem Siebträger:

- Portion auswählen – Einfach, Doppelt oder Spezifisch. Die LED der gewählten Taste leuchtet, die spezifische Taste hat keine LED. Die gewählte Portion wird auch auf dem Display angezeigt.
- Siebträger in die Aufnahmegabel (Fig. 1-8) einsetzen und Siebträgertaste (Fig. 1b-6) einmal betätigen.
- Die Kaffeemühle läuft während der eingestellten Zeit und stoppt automatisch.
- Zum vorzeitigen Abbrechen die gewählte Taste erneut betätigen. Der Mahlvorgang kann nicht fortgesetzt werden.
- Kaffee im Sieb glattstreichen und mit dem Kaffeepresser festdrücken.
- Darauf achten, dass keine Kaffeereste auf dem Rand des Siebträgers verbleiben.
- Alternativ und wenn dies im Menu eingestellt wurde <Vorwahl „Nein“>, kann die Portion mit dem Siebträger ausgewählt werden.
- Siebträger in die Aufnahmegabel (Fig. 1-8) einsetzen und die Siebträgertaste (Fig. 1b-6) damit betätigen. Siebträgertaste

für eine einfache Portion einmal betätigen, für eine doppelte Portion zweimal. Die gewählte Portion wird im Display angezeigt und die LED der Taste der gewählten Portion leuchtet. In diesem Modus gibt es keine spezifische Portion.

- Die Kaffeemühle läuft während der eingestellten Zeit und stoppt automatisch.
- Zum vorzeitigen Abbrechen eine Taste betätigen. Der Mahlvorgang kann nicht fortgesetzt werden.
- Kaffee im Sieb glattstreichen und mit dem Kaffeepresser festdrücken.
- Darauf achten, dass keine Kaffeereste auf dem Rand des Siebträgers verbleiben.

Start mit Tastatur:

- Siebträger in die Aufnahmegabel (Fig. 1-8) einsetzen
- Portion auswählen – Einfach, Doppelt oder Spezifisch. Die LED der gewählten Taste leuchtet, die spezifische Taste hat keine LED. Die gewählte Portion wird auch auf dem Display angezeigt.
- Die Kaffeemühle läuft während der eingestellten Zeit und stoppt automatisch.
- Zum vorzeitigen Abbrechen die gewählte Taste erneut betätigen. Der Mahlvorgang kann nicht fortgesetzt werden.
- Kaffee im Sieb glattstreichen und mit dem Kaffeepresser festdrücken.
- Darauf achten, dass keine Kaffeereste auf dem Rand des Siebträgers verbleiben.

2.2. On Demand Modus

Im "On Demand" Modus kann der Mahlvorgang unterbrochen und fortgesetzt werden.

Start mit dem Siebträger:

- Portion auswählen – Einfach, Doppelt oder Spezifisch. Die LED der gewählten Taste leuchtet, die spezifische Taste hat keine LED. Die gewählte Portion wird auch auf dem Display angezeigt.
- Siebträger in die Aufnahmegabel (Fig. 1-8) einsetzen und Siebträgertaste (Fig. 1b-6) betätigen.
- Die Kaffeemühle läuft während der eingestellten Zeit und stoppt automatisch.
- Um den Mahlvorgang zu unterbrechen, den Siebträgertaster lösen, den Mahlvorgang durch erneutes Betätigen des Siebträgertasters fortsetzen.
- Um den Mahlvorgang abbrechen, den Siebträgertaster lösen und eine Taste der Tastatur betätigen.
- Kaffee im Sieb glattstreichen und mit dem Kaffeepresser festdrücken.
- Darauf achten, dass keine Kaffeereste auf dem Rand des Siebträgers verbleiben.

Start mit Tastatur:

- Siebträger in die Aufnahmegabel (Fig. 1-8) einsetzen
- Portion auswählen – Einfach, Doppelt oder Spezifisch. Die LED der gewählten Taste leuchtet, die spezifische Taste hat keine LED. Die gewählte Portion wird auch auf dem Display angezeigt.
- Die Kaffeemühle läuft während der eingestellten Zeit und stoppt automatisch.
- Um den Mahlvorgang zu unterbrechen, die gewählte Portionstaste erneut betätigen, den Mahlvorgang durch weiteres Betätigen der Portionstaste fortsetzen.
- Der Mahlvorgang wird mit jeder anderen Taste abgebrochen und kann nicht fortgesetzt werden.
- Kaffee im Sieb glattstreichen und mit dem Kaffeepresser festdrücken.
- Darauf achten, dass keine Kaffeereste auf dem Rand des Siebträgers verbleiben.

2.3. Kundenspezifische Portion

Ist die kundenspezifische Portion auf 0.0 gesetzt, kann die Taste als Dauer-Taste benutzt werden, welche auf 10 Sek. begrenzt ist. Wird eine längere Zeit als 10. Sek. benötigt, muss die Dauer-Taste während der 10 Sek. gehalten werden, bis der Text in der ersten Displayzeile sich ändert und die Mühle für 300 Sek. läuft.

Um die Mahlung zu beenden, muss die Dauer-Taste nochmals betätigt werden.

3. REINIGUNG UND PFLEGE

Reinigungsarbeiten immer bei ausgeschaltetem Gerät vornehmen und den Netzstecker aus der Steckdose ziehen.

Wir empfehlen die Reinigungsmittel, die bei uns gekauft werden können.

Keine metallischen oder scheuernden Hilfsmittel wie Stahlwolle, Stahlbürsten, Nadeln etc. und keine aggressiven Reinigungsmittel (Alkohol etc.) verwenden, sondern ein feuchtes Tuch oder einen feuchten Schwamm.

3.1. Tägliche Reinigung

- Mühlegehäuse und Auffangschale reinigen.
- Bereich um Siebträgergabel reinigen
- Kaffeeauswurf mit einem Pinsel reinigen

3.2. Regelmässige Pflege und Reinigung nach intensivem Gebrauch

Bohnenbehälter entleeren und fettige Kaffeerückstände mit einer milden Seifenlauge entfernen. Sorgfältig spülen!

Für Reinigung und Pflege verwendete Stoffe, die nicht biologisch abbaubar bzw. umweltschädlich sind, in getrennten Behältern den Abfallsammelstellen abgeben.

3.3. Mahlscheibenersatz

KRYO 65 OD enthält einen Zähler, der nach einer eingestellten Kaffeemenge den Bediener informiert, dass die Mahlscheiben ersetzt werden müssen.

Die Warnung wird durch den Servicetechniker bei der Inbetriebnahme eingestellt. Wir empfehlen, die Warnung zu aktivieren.

Der Ersatz der Mahlscheiben darf nur von einem qualifizierten Servicetechniker durchgeführt werden.

Bitte setzen Sie sich mit Ihrem Händler in Verbindung.

4. PROBLEME UND LÖSUNGEN

Vom Bediener durchführbare Kontrollen

Bei allen anderen nicht spezifizierten Defekten oder Problemen den Netzstecker ziehen, jedoch keine direkten Reparaturen oder Kontrollen vornehmen, sondern den technischen Kundendienst hinzuziehen.

A) Das Gerät lässt sich nicht einschalten:

- Prüfen, ob der Netzstecker eingesteckt ist.
- Prüfen, ob Netzstrom vorhanden, der FI-Schalter nicht herausgesprungen und der Hauptschalter am Gerät eingeschaltet ist.
- Netzstecker und Anschlusskabel auf Funktionstüchtigkeit prüfen. Bei Beschädigungen vom Fachmann austauschen lassen.

B) Die Mühle mahlt nicht:

- Prüfen, ob der Bohnenbehälter mit Kaffeebohnen gefüllt ist.

- Prüfen, ob der Bohnenbehälterverschluss offen ist (Verschluss nach innen).

C) Das Mahlen dauert zu lange:

- Mahlgradeinstellung kontrollieren.
- Mahlscheiben vom Fachmann austauschen lassen.

5. TECHNISCHE DATEN

Versionen		KRYO 65 OD
Abmessungen	mm	L.220 - B.356 - H.575
Nettogewicht	kg	13
Leistung	g/s	3.5
Inhalt Bohnenbehälter	g	1300

Kenndaten auf dem Typenschild (Fig. 3)

1. Hersteller
2. Modell und Version
3. Spannung
4. CE-Kennzeichnung
5. Seriennummer
6. Pin
7. Anschlussleistung
8. - -
9. - -
10. - -
11. Frequenz
12. Konformitätszeichen
13. Produktionsdatum

6. INSTALLATION

Die Installation muss von einem qualifizierten Techniker vorgenommen werden.

Das Gerät wird installationsbereit gemäss den Kenndaten in Fig. 3 geliefert.

Sicherstellen, dass die Anschlussleitung dieselben Eigenschaften wie das Gerät hat.

Mühle, Zubehörteile, Anschlusskabel und Stecker auf Schäden prüfen und gegebenenfalls umgehend den Händler informieren.

Das Gerät wurde für das Mahlen von Kaffeebohnen im professionellen Einsatz konzipiert und gebaut.

Jede andere Verwendung gilt als nicht bestimmungsgemäss und ist gefährlich.

7. INBETRIEBNAHME

7.1. Beschreibung der Bedienelemente

Hauptschalter (Fig. 1-9) mit zwei Stellungen. In Stellung (I) wird die Stromzufuhr aktiviert und die Kaffeemühle ist betriebsbereit.

7.2. Erster Start

KRYO 65 OD enthält ein Menu um die persönlichen Einstellungen des Bedieners festzulegen, welches beim ersten Einschalten erscheint. Der Bediener kann die Sprache, die Betriebsart, die Vorwahl und die Art und Weise, wie die Mahlung gestartet wird, einstellen. Danach erscheint im Display „Bitte Kalibrieren“. Die Kalibrierung muss gemäss Beschreibung Zähler/Mahlscheiben/Kalibrierung in der Softwarestruktur durchgeführt werden.

Die Displaymeldung erscheint nach jeder Zubereitung, bis die Kalibrierung durchgeführt wurde.

7.3. Mahlgradjustierung

Die Kaffeemühle wird vom Hersteller mit einer mittleren Mahlgradeinstellung ausgeliefert. Welcher Mahlgrad gewählt wird, hängt von der verwendeten Kaffeesorte ab.

- Eine kleine Menge Kaffeebohnen in den Bohnenbehälter einfüllen und Deckel schliessen.
- Prüfen, ob der Behälter offen ist (Fig. 1-4).
- Siebträger in die Aufnahmegabel (Fig. 1-8) einsetzen und Kaffee mahlen
- Einen Kaffee zubereiten und dabei die Brühdauer, die Farbe und den Geschmack kontrollieren. Ein zu grober Mahlgrad ergibt hellen Kaffee ohne Crema, während ein zu feiner Mahlgrad starken, dunklen Kaffee ohne Crema ergibt.
- Fällt der Kaffee nicht wunschgemäss aus, Mahlgrad durch Drücken des Verriegelungsknopfs (Fig. 2-1) und Drehen des Reglers (Fig. 2-3) gegen den Uhrzeigersinn für einen feineren Mahlgrad bzw. im Uhrzeigersinn für einen gröberen Mahlgrad einstellen.
- Vorgang so lange wiederholen, bis die gewünschte Kaffeequalität erreicht ist.

Eine Mahlgradjustierung ist normalerweise nur beim Wechsel des Kaffees notwendig. Kleinere Anpassungen können während der gesamten Benutzung aufgrund unterschiedlicher Frische der Kaffeebohnen erforderlich sein.

8. STILLLEGUNG

8.1. Vorübergehend

- Bohnenbehälter schliessen und die zwischen den Mahlscheiben verbliebenen Bohnen mahlen.
- Gerät abschalten und Netzstecker aus der Steckdose ziehen.
- Im Bohnenbehälter verbliebene Bohnen entfernen.
- Reinigung durchführen.
- Stromkabel aufwickeln und mit Klebeband am Gerät fixieren.
- Gerät abdecken und an einem trockenen, witterungsgeschützten und sicheren Ort aufbewahren.

8.2. Endgültig

Zusätzlich zur vorübergehenden Stilllegung ist Folgendes vorzunehmen:

- Anschlusskabel durchschneiden,
- Gerät mit Karton oder anderem Material verpacken und der zuständigen Stelle übergeben (autorisierte Abfallentsorgung oder Rücknahmestelle für Altgeräte).

9. INFORMATION FÜR DEN KUNDENDIENST

9.1. Mahlscheibenwechsel

Die Mahlscheiben sind zwar aus gehärtetem Stahl gefertigt, nutzen sich aber mit der Zeit ab.

Ihre Lebensdauer ist von der gemahlene Kaffeemenge, von Härte und Röstgrad der Kaffeebohnen sowie von der Reinheit des Mahlgutes abhängig.

Steinchen und andere Verunreinigungen haben eine stark scheuernde Wirkung, die die Lebensdauer der Mahlscheiben beträchtlich verkürzen kann.

Wenn der Mahlvorgang ungewöhnlich lange dauert oder das Mahlergebnis unregelmässig ausfällt, sind die Mahlscheiben wie folgt zu wechseln:

- Trichterverschlusshebel (Fig. 1-4) betätigen.
- Mühle starten, um die zwischen den Mahlscheiben verbliebenen Bohnen zu mahlen.
- Nach Ende des Mahlvorgangs Gerät ausschalten und Anschlusskabel abziehen.
- Bohnenbehälter (Fig. 1-2) entleeren.
- Regler (Fig. 1-3) entfernen.

- Oberen Mahlscheibenhalter (Fig. 4-1) gegen den Uhrzeigersinn drehen, bis der Block komplett herausgefahren ist.
- Schrauben (Fig. 4-2) lösen und Mahlscheiben (Fig. 4-3) aus der Halterung nehmen.
- Auflageflächen der Mahlscheiben sowie Gewinde und Sitz des Mahlscheibenhalters sorgfältig reinigen.
- Die neuen Mahlscheiben in die entsprechenden Halterungen einsetzen und fixieren.
- Alle Teile in umgekehrter Reihenfolge wieder montieren.
- Die neuen Mahlscheiben kalibrieren.

9.2. Kalibrierung der Mahlscheiben

Nach einem Mahlscheibenwechsel durchzuführen

Schutzabdeckung (Fig. 1-5) entfernen, Verriegelungsknopf (Fig. 2-1) gedrückt halten und gleichzeitig Regler (Fig. 2-3) langsam gegen den Uhrzeigersinn drehen, bis sich die Mahlscheiben berühren. Verriegelungsknopf loslassen, nummerierten Ring (Fig. 2-2) in Nullstellung drehen und so einstellen, dass die 0 nach vorne zeigt. Dann den Regler (Fig. 2-3) in die Gegenrichtung (im Uhrzeigersinn) drehen.

9.3 Techniker Menu

Muss von einem qualifizierten Techniker durchgeführt werden!

Um ins Techniker-Menu zu gelangen, muss die Mühle ausgeschaltet werden. Danach den Hauptschalter (Fig. 1-9) betätigen und dabei die Bestätigungstaste gedrückt halten.

10. SOFTWARE

KRYO 65 OD hat drei unterschiedliche Menus

10.1 Bedeutung der Tasten

Die Tasten der KRYO 65 OD werden für die Programmierung mit zusätzlichen Funktionen verwendet.

Die Taste der Einzelportion (Fig. 1b-12) wird als <->Taste verwendet, die Doppelportion (Fig. 1b-13) als <+>Taste und beide zum Blättern im Menu. Die kundenspezifische Taste (Fig. 1b-14) wird als Bestätigung oder ESC-Taste je nach Menüpunkt verwendet.

10.2 Dosier-Menu

Im Dosier-Menu wird die Mahlmenge der Portionstasten geändert.

- Gewünschten Portionstaster für 3 Sekunden betätigen
- Wert des gewählten Taster anpassen
- Anpassung mit Bestätigungstaster sichern

10.3 Barista Menu

Das Barista-Menu wird durch Betätigen der ESC-Taste (Fig. 1b-14) für 5 Sekunden geöffnet.

Weitere Information ist im Software-Baum enthalten.

10.4 Techniker Menu

Muss von einem qualifizierten Techniker durchgeführt werden!

Die grau hinterlegten Parameter sind nur für den Servicetechniker zugänglich.

Der Zugang zu diesem Menu ist an einer anderen Stelle dieser Bedienungsanleitung beschrieben.

Software

Dosierung	Einfach	Zeit, in Sekunden, in der die einfache Portion gemahlen wird.		
	Doppelt	Zeit, in Sekunden, in der die doppelte Portion gemahlen wird.		
	Kundenspezifisch	Zeit, in Sekunden, in der die kundenspezifische Portion gemahlen wird.		
	ESC	Menu verlassen		
Modus	Automatik	Setzt die Kaffeemühle in den „Automatik“-Modus, der Mahlvorgang kann nicht unterbrochen werden.		
	On Demand	Setzt die Kaffeemühle in den „On Demand“-Modus, der Mahlvorgang kann unterbrochen werden.		
	ESC	Menu verlassen		
Start Dosierung	mit Tastatur	Der Mahlvorgang wird durch Betätigen der gewünschten Portionsgröße gestartet.		
	mit Siebträger	Der Mahlvorgang wird mit dem Siebträger gestartet, wenn dieser den Siebträgertaster betätigt.		
	Vorwahl	Die Vorwahl ist nur im Automatik-Modus verfügbar. "Ja" die Portionsgröße wird auf der Tastatur ausgewählt; "Nein" die Portionsgröße wird durch Betätigung der Siebträgertaste mit dem Siebträger ausgewählt. Für eine einfache Portion Siebträgertaste einmal betätigen, für eine doppelte Portion Siebträgertaste zweimal betätigen. Die kundenspezifische Portion steht bei der Vorwahl nicht zur Verfügung.		
	ESC	Menu verlassen		
Sprache	English, Deutsch ...	Auswahl der Sprache – Italiano, English, Deutsch, Français, Espanol oder Portugues und bestätigen		
	ESC	Menu verlassen		
Zähler	Total	Einfach	Zeigt die Gesamtanzahl der zubereiteten Einzelportionen – nicht rücksetzbar	
		Doppelt	Zeigt die Gesamtanzahl der zubereiteten doppelten Portionen – nicht rücksetzbar	
		Kundenspezifisch	Zeigt die Gesamtanzahl der zubereiteten kundenspezifischen Portionen – nicht rücksetzbar	
		ESC	Menu verlassen	
	Zähler	Einfach	Zeigt die Anzahl der zubereiteten Einzelportionen seit dem letzten Reset	
		Doppelt	Zeigt die Anzahl der zubereiteten doppelten Portionen seit dem letzten Reset	
		Kundenspezifisch	Zeigt die Anzahl der zubereiteten kundenspezifischen Portionen seit dem letzten Reset	
		Reset	Setzt alle Portionszähler zurück	
		ESC	Menu verlassen	
	Mahlscheiben	Kalibrierung	Die Mühle wird mit diesem Untermenü eingestellt und beginnt nach der Bestätigung. Erst wenn der Mahlgrad des Kaffees passend ist, wird die Kalibrierung durchgeführt.	
			Mahlen	Mahlt eine bestimmte Zeit Kaffee. Der gemahlene Kaffee wird gewogen. Drei Durchgänge wägen und den Durchschnitt berechnen.
		Gewicht	Die Menge des gemahlene Kaffee wird hier eingestellt und bestätigt.	
		Alarm	Kaffeemenge in kg, nach der die Mahlscheiben ersetzt werden sollen. Ist der Wert auf „0“, ist der Alarm nicht aktiv.	
		Zähler	Zeigt die Menge des gemahlene Kaffee in kg	
Reset		Setzt den Mahlscheibenzähler zurück		
ESC		Menu verlassen		
ESC	Menu verlassen			

FRANCAIS

KRYO 65/ST

KRYO 65/AT

Machine pour la mouture et le dosage du café

1. DESCRIPTION

KRYO 65/ST

Moulin à café avec allumage et extinction en mode manuel;

KRYO 65/AT

Moulin à café fonctionnant en mode automatique avec allumage et extinction possibles en mode manuel.

Légende (Fig. 1a)

1. Couvercle de trémie
2. Trémie à grains
3. Poignée
4. Fermeture de trémie
5. Couvercle du doseur
6. Doseur
7. Presse-café
8. Fourche de référence
9. Interrupteur général
10. Bac de récupération de poudre
11. Levier doseur
12. Poignée dosage

2. FONCTIONNEMENT

La trémie à grains de la KRYO 65 est équipée d'un système de verrouillage (Fig. 5) qui doit être fermé lors du fonctionnement de la machine.

Le système de verrouillage est signalé par un repère sur le côté extérieur de la trémie à grains. Lorsque la fente du système de verrouillage est en face du repère, la trémie à grains peut être retirée ou montée. Pour verrouiller la trémie à grains, il faut tourner la fente vers la gauche.

KRYO 65/ST

Moudre le café en appuyant sur l'interrupteur général (Fig. 1-9)

KRYO 65/AT

Appuyer sur l'interrupteur général (Fig. 1-9), après quoi la mouture est effectuée en mode automatique.

Il est recommandé de moudre la quantité de café nécessaire au besoin immédiat car le café moulu laissé trop longtemps inutilisé perd sa fraîcheur et son arôme.

Ne pas moudre une seconde fois le café déjà moulu.

- Placer le porte-filtre dans la fourche de référence (Fig. 1-8), tirer vers soi par un mouvement ferme puis relâcher le levier doseur (Fig. 1a-11) une ou plusieurs fois selon les doses qui doivent être extraites (chaque mouvement du levier correspond à une dose).
- Nivelier le café contenu dans le filtre, placer le porte-filtre sous le presse-café (Fig. 1a-7) et soulever en douceur pour rendre le café compact ;
- Contrôler que le bord du porte-filtre est exempt de café moulu.

3. ENTRETIEN

Pour effectuer les opérations d'entretien, la machine doit être éteinte et la prise d'alimentation débranchée.

Nous recommandons les produits de nettoyage en vente chez nous.

Pour le nettoyage, ne pas utiliser d'outils métalliques ou abrasifs de type tampon à récurer, brosses métalliques, aiguilles, etc., ni de détergents, (alcool etc.). Utiliser plutôt un chiffon ou une éponge humide.

3.1. Quotidien

- Nettoyer la structure et le bac de récupération de poudre.
- Nettoyer la zone de dosage placée sous le récipient de café.
- Nettoyer la sortie du café à l'aide d'une brosse.

3.2. Périodique ou après usage intensif

Vider le compartiment à grains et le nettoyer pour en extraire tous les résidus huileux laissés par le café à l'aide d'une solution savonneuse douce. Rincer soigneusement!

Les matériaux de rebut utilisés pour le travail ou l'entretien, s'ils ne sont pas biodégradables ou polluants, doivent être entreposés dans des conteneurs séparés et éliminés dans des centres de recyclage spécialisés.

4. INCONVÉNIENTS ET REMÈDES

Opérations de contrôle pouvant être effectuées par l'utilisateur

Pour tout autre type d'anomalie ou d'inconvénient non spécifié, débrancher la prise de courant, s'abstenir d'intervenir directement dans la réparation ou la vérification et s'adresser au service technique d'assistance qualifié.

A) La machine ne s'allume pas :

- Contrôler si la prise est branchée ;
- Contrôler le courant du réseau d'alimentation ainsi que le branchement du disjoncteur ou de l'interrupteur général ;
- Contrôler l'état de la prise ou du câble d'alimentation, en cas d'endommagement, les faire remplacer par du personnel qualifié.

B) La machine ne moud pas le café :

- Contrôler la présence de café en grains dans le récipient ;
- Contrôler l'ouverture du levier de fermeture de trémie (levier vers l'intérieur)

C) Durée de mouture prolongée

- Contrôler le réglage de la mouture ;
- Faire remplacer les meules par du personnel qualifié.

D) Les doses ne sont pas uniformes :

- Nettoyer soigneusement le doseur et le bec de sortie du café
- Contrôler le parcours complet et libre du levier doseur.

5. CARACTÉRISTIQUES TECHNIQUES

Versions		KRYO 65/ST KRYO 65/AT
Dimensions de la machine	mm	L.220 - P.385 - H.575
Poids net de la machine	kg	13
Production	kg/h	7-9
Capacité du Trémie à grains	g	1300
Réglage des doses	g	5-10

Schéma d'identification des données de la plaque (Fig. 3)

1. Fabricant
2. Modèle et version
3. Tension
4. Marquage de conformité CE
5. Numéro de série
6. Pin
7. Absorption totale
8. --
9. --
10. --
11. Fréquence
12. Marques de conformité
13. Date de fabrication

6. INSTALLATION

L'installation doit être effectuée par un technicien qualifié.

La machine est livrée prête à l'installation, conformément aux données de la plaque, Fig. 3.

S'assurer que le réseau électrique possède les mêmes caractéristiques que celles de la machine.

Contrôler l'intégrité de la machine, des accessoires, du câble d'alimentation et de la prise, et en cas d'endommagements, avvertir immédiatement le revendeur.

Les machines ont été élaborées et construites pour la mouture du café en grains à usage professionnel.

Tout autre usage est considéré comme impropre et donc dangereux.

7. MISE EN SERVICE

7.1. Description des commandes

KRYO 65/ST

Interrupteur général (Fig. 1-9) à deux positions ; lorsqu'il est appuyé, le raccordement électrique est effectué et la mouture du café démarre.

KRYO 65/AT

Interrupteur général (Fig. 1-9) à deux positions ; en position (I), le raccordement électrique est effectué ;

7.2. Réglage de la mouture

Le moulin à café est testé par le constructeur via un réglage de mouture intermédiaire. Puis, tout dépend donc du type de café utilisé.

- Introduire une petite dose de café en grains dans le récipient à trémie et fermer le couvercle ;
- Contrôler l'ouverture de la trémie (Fig. 1-4) vers l'intérieur ;
- Procéder à la mouture d'une petite dose de café ;
- Placer le porte-filtre sur la fourche de référence (Fig. 1-9), puis actionner le levier doseur (Fig. 1a-11) pour faire descendre la dose de café moulu ;
- Passer un peu de café, en vérifiant le temps de distribution, l'apparence du café et son goût, tout en prenant en compte que des moutures trop grossières produisent un café léger coloré sans crème, tandis que les moutures trop fines produisent un café fort et sombre sans crème.
- Si le café ne satisfait pas aux attentes, régler la mouture en appuyant sur le bouton (Fig. 2-1) et en tournant l'embout (Fig. 2-3) dans le sens inverse des aiguilles d'une montre pour une mouture plus fine ou dans le sens des aiguilles d'une montre pour une mouture plus grosse.
- Répéter l'opération jusqu'à obtenir la quantité de café désirée,

Un recalibrage de la mouture est généralement uniquement nécessaire après un changement de café. Des ajustements mineurs peuvent être nécessaires au cours de l'usage afin d'ajuster les changements de fraîcheur des grains.

7.3. Réglage de la dose de café moulu

Les doses peuvent être réglées comme suit :

- Actionner la poignée (Fig. 1a-12) sous le doseur dans le sens inverse des aiguilles d'une montre pour augmenter la dose.
- Actionner 6 fois le levier de dosage (Fig. 1a-11) et contrôler à chaque fois la portion. Il faut veiller à ce que l'étoile de dosage soit complètement recouverte de poudre.

8. MISE HORS SERVICE

8.1. Temporaire

- Fermer le récipient à trémie et moudre le café en grains restant entre les meules ;
- Eteindre l'interrupteur et débrancher la prise d'alimentation électrique ;
- Retirer le café moulu et l'éventuel café en grains resté dans le récipient à trémie ;
- Effectuer les opérations de nettoyage et d'entretien ;
- Enrouler le câble électrique et le fixer sur la machine à l'aide du ruban adhésif ;
- Couvrir la machine et la ranger dans un environnement sec, à l'abri des intempéries et à l'accès exclusif.

8.2. Définitive

En plus des opérations de mise hors service temporaire, il convient de :

- Couper le câble d'alimentation,
- Emballer la machine avec le carton ou autre et la remettre à la personne compétente (tri des déchets autorisé ou retrait usagé).

9. INFORMATION POUR LE SERVICE D'ASSISTANCE

9.1. Remplacement des meules

Les meules, bien qu'étant construites en acier trempé, sont sujettes à l'usure.

Leur durée de vie est influencée par la quantité de café moulu, par sa dureté et son niveau de torréfaction, ainsi que par la quantité et la pureté des confections de café en grains.

Les petits cailloux et les impuretés diverses ont une forte influence abrasive qui réduit de manière significative la durée de vie des meules.

Quand le temps de mouture est prolongé de manière notable ou quand la mouture devient irrégulière, il convient de procéder au remplacement des meules en agissant comme suit :

- Tirer le levier de fermeture à trémie (Fig. 1-4) ;
- Mettre en marche le moulin-doseur pour moudre le café resté entre les meules ;
- Une fois la mouture achevée, éteindre la machine et débrancher la prise d'alimentation ;
- Vider le récipient à trémie (Fig. 1-2) ;
- Ôter la poignée de réglage (Fig. 1-3) ;
- Tourner le porte-meules supérieur (Fig. 4-1) dans le sens inverse des aiguilles d'une montre jusqu'à la sortie complète de la tête ;
- Dévisser les vis (Fig. 4-2) et démonter les meules (Fig. 4-3) du support porte-meules ;
- Nettoyer soigneusement les plans d'appui des meules, le filetage du porte-meules et le siège ;
- Placer les nouvelles meules dans leurs supports et les bloquer fermement ;
- Remonter le tout en procédant dans l'ordre inverse.
- Procéder au réglage des nouvelles meules.

9.2. Réglage des meules

À effectuer après le remplacement des meules

Maintenir le bouton ferme-embout pressé (Fig. 2-1) et simultanément, tourner lentement la poignée (Fig. 2-3) dans le sens des aiguilles d'une montre jusqu'à ce que les meules s'effleurent, tourner l'embout numéroté (Fig. 2-2) jusqu'à rejoindre le point de remise à zéro, puis déplacer l'embout numéroté de manière à ce que le 0 se trouve en position frontale ; puis déplacer la poignée (Fig. 2-3) dans le sens inverse (des aiguilles d'une montre).

KRYO 65 OD

Moulin à café à la demande

1. DESCRIPTION

KRYO 65 OD

Moulin à café à la demande automatique

Légende (Fig. 1b)

1. Couvercle de trémie
2. Trémie à grains
3. Poignée
4. Fermeture de trémie
5. Couvercle de protection
6. Bouton du porte-filtre
7. Sortie café
8. Fourche porte-filtre
9. Interrupteur général
10. Bac de récupération de poudre
11. Ecran
12. Bouton dose simple
13. Bouton dose double
14. Bouton dose personnalisée

2. FONCTIONNEMENT

La trémie à grains de la KRYO 65 est équipée d'un système de verrouillage (Fig. 5) qui doit être fermé lors du fonctionnement de la machine.

Le système de verrouillage est signalé par un repère sur le côté extérieur de la trémie à grains. Lorsque la fente du système de verrouillage est en face du repère, la trémie à grains peut être retirée ou montée. Pour verrouiller la trémie à grains, il faut tourner la fente vers la gauche.

Appuyer sur l'interrupteur général (Fig. 1-9). La mouture a lieu à lieu selon deux modes.

Les modes et la procédure d'activation sont configurés dans le logiciel et peuvent être modifiés par l'utilisateur si besoin est.

Ne pas mouler une seconde fois le café déjà moulu.

2.1. Mode automatique

En « mode automatique », le moulin continue à mouler jusqu'à ce que la dose préprogrammée soit distribuée. Si la mouture est arrêtée durant la distribution, la dose a été annulée.

Activation par porte-filtre :

- Sélectionner la dose de café requise - dose simple, double ou personnalisée (Fig. 1b-12 à 14). La LED de la dose sélectionnée s'éclaire. Le bouton de dose personnalisée ne possède pas de LED. La dose sélectionnée est également affichée à l'écran.
 - Placer le filtre dans la fourche porte-filtre (Fig. 1-8) et presser une fois le bouton du porte-filtre (Fig. 1b-6).
 - Le moulin fonctionne pendant le temps prédéfini et s'arrête automatiquement.
 - Pour arrêter avant la fin, presser le même bouton du clavier. La mouture ne peut pas être poursuivie.
 - Nivelier le café dans le filtre et bourrer le café avec le presse-café;
 - Contrôler que le bord du porte-filtre est exempt de café moulu.
-
- Alternativement, et lorsque cela a été réglé dans le menu <Présélection « Non »>, la portion peut être choisie avec le porte-filtre.
 - Mettre le porte-filtre dans la fourche (Fig. 1-8) et appuyer ainsi sur la touche du porte-filtre (Fig. 1b-6). Appuyer une fois sur la touche du porte-filtre pour une portion simple,

deux fois pour une portion double. La portion choisie s'affiche sur l'écran et la LED de la touche correspondant à la portion choisie s'allume. Dans ce mode, il n'existe pas de portion individualisée.

- Le moulin fonctionne pendant le temps prédéfini et s'arrête automatiquement.
- Pour une interruption anticipée du processus, appuyer sur une touche. Le processus de mouture ne peut être repris.
- Nivelier le café dans le filtre et bourrer le café avec le presse-café;
- Contrôler que le bord du porte-filtre est exempt de café moulu.

Activation par clavier :

- Placer le filtre dans la fourche porte-filtre (Fig. 1-8).
- Sélectionner la dose de café requise - dose simple, double ou personnalisée (Fig. 1b-12 à 14). La LED de la dose sélectionnée s'éclaire. Le bouton de dose personnalisée ne possède pas de LED. La dose sélectionnée est également affichée à l'écran.
- Le moulin fonctionne pendant le temps prédéfini et s'arrête automatiquement.
- Pour arrêter avant la fin, presser le même bouton du clavier. La mouture ne peut pas être poursuivie.
- Nivelier le café dans le filtre et bourrer le café avec le presse-café ;
- Contrôler que le bord du porte-filtre est exempt de café moulu.

2.2. Mode à la demande

En « mode à la demande », la mouture peut être mise en pause au cours de la distribution, puis redémarrée.

Activation par porte-filtre :

- Sélectionner la dose de café requise - dose simple, double ou personnalisée (Fig. 1b-12 à 14). La LED de la dose sélectionnée s'éclaire. Le bouton de dose personnalisée ne possède pas de LED. La dose sélectionnée est également affichée à l'écran.
- Placer le filtre dans la fourche porte-filtre (Fig. 1-8) et presser une fois le bouton du porte-filtre (Fig. 1b-6).
- Le moulin fonctionne pendant le temps prédéfini et s'arrête automatiquement.
- Pour mettre la mouture en pause avant la fin de la distribution, relâcher le bouton du porte-filtre, réactiver la distribution en pressant le bouton du porte-filtre et en le maintenant enfoncé.
- Pour annuler avant la fin de la distribution, relâcher le bouton du porte-filtre, puis presser n'importe quel bouton du clavier.
- Nivelier le café dans le filtre et bourrer le café avec le presse-café;
- Contrôler que le bord du porte-filtre est exempt de café moulu.

Activation par clavier :

- Placer le filtre dans la fourche porte-filtre (Fig. 1-8).
- Sélectionner la dose de café requise - dose simple, double ou personnalisée (Fig. 1b-12 à 14). La LED de la dose sélectionnée s'éclaire. Le bouton de dose personnalisée ne possède pas de LED. La dose sélectionnée est également affichée à l'écran.
- Le moulin fonctionne pendant le temps prédéfini et s'arrête automatiquement.
- Pour interrompre la procédure avant la fin de la distribution, presser le même bouton sur le clavier. La mouture peut être poursuivie en pressant le même bouton à nouveau. La mouture est arrêtée par n'importe quel autre bouton et ne peut pas être poursuivie.
- Nivelier le café dans le filtre et bourrer le café avec le presse-café;
- Contrôler que le bord du porte-filtre est exempt de café moulu.

2.3. Portion personnalisée

Si la portion personnalisée est réglée sur 0.0, la touche peut être utilisée comme touche de durée, celle-ci étant limitée à 10 secondes. Si une durée supérieure à 10 secondes est nécessaire, la touche de durée doit être maintenue appuyée pendant ces 10 secondes, jusqu'à modification du texte de la première ligne de l'écran et mise en route du moulin pour une durée de 300 secondes.

Pour arrêter la mouture, il faut appuyer de nouveau sur la touche de durée.

3. ENTRETIEN

Pour effectuer les opérations d'entretien, la machine doit être éteinte et la prise d'alimentation débranchée.

Nous recommandons les produits de nettoyage en vente chez nous.

Pour le nettoyage, ne pas utiliser d'outils métalliques ou abrasifs de type tampon à récurer, brosses métalliques, aiguilles, etc., ni de détergents, (alcool etc.). Utiliser plutôt un chiffon ou une éponge humide.

3.1. Quotidien

- Nettoyer la structure et le bac de récupération de poudre.
- Nettoyer la zone de dosage placée sous le récipient de café.
- Nettoyer la sortie du café à l'aide d'une brosse.

3.2. Périodique ou après usage intensif

Vider le compartiment à grains et le nettoyer pour en extraire tous les résidus huileux laissés par le café à l'aide d'une solution savonneuse douce. Rincer soigneusement!

Les matériaux de rebut utilisés pour le travail ou l'entretien, s'ils ne sont pas biodégradables ou polluants, doivent être entreposés dans des conteneurs séparés et éliminés dans des centres de recyclage spécialisés.

3.3. Remplacement de la fraise

Le KRYO 65 OD possède un compteur intégré qui informe l'utilisateur après la mouture de la quantité prédéfinie de café que les fraises doivent être remplacées.

Cette alerte peut être activée par le technicien de service pendant la mise en service. Nous recommandons d'activer l'alarme.

Le remplacement de la fraise doit être effectué uniquement par un technicien de service qualifié.

Veillez prendre contact avec votre organisation locale de ventes.

4. INCONVÉNIENTS ET REMÈDES

Opérations de contrôle pouvant être effectuées par l'utilisateur

Pour tout autre type d'anomalie ou d'inconvénient non spécifié, débrancher la prise de courant, s'abstenir d'intervenir directement dans la réparation ou la vérification et s'adresser au service technique d'assistance qualifié.

A) La machine ne s'allume pas :

- contrôler si la prise est branchée ;
- Contrôler le courant du réseau d'alimentation ainsi que le branchement du disjoncteur ou de l'interrupteur général ;
- Contrôler l'état de la prise ou du câble d'alimentation, en cas d'endommagement, les faire remplacer par du personnel qualifié.

B) La machine ne moud pas le café :

- Contrôler la présence de café en grains dans le récipient ;
- Contrôler l'ouverture du levier de fermeture de trémie (levier vers l'intérieur)

C) Durée de mouture prolongée

- Contrôler le réglage de la mouture ;
- Faire remplacer les meules par du personnel qualifié.

5. CARACTÉRISTIQUES TECHNIQUES

Version		KRYO 65 OD
Dimensions de la machine	mm	L.220 - P.356 - H.575
Poids net de la machine	kg	13
Production	g/s	3.5
Capacité du Trémie à grains	g	1300

Schéma d'identification des données de la plaque (Fig. 3)

1. Fabricant
2. Modèle et version
3. Tension
4. Marquage de conformité CE
5. Numéro de série
6. Pin
7. Absorption totale
8. --
9. --
10. --
11. Fréquence
12. Marques de conformité
13. Date de fabrication

6. INSTALLATION

L'installation doit être effectuée par un technicien qualifié.

La machine est livrée prête à l'installation, conformément aux données de la plaque, Fig. 3.

S'assurer que le réseau électrique possède les mêmes caractéristiques que celles de la machine.

Contrôler l'intégrité de la machine, des accessoires, du câble d'alimentation et de la prise, et en cas d'endommagements, avertir immédiatement le revendeur.

Les machines ont été élaborées et construites pour la mouture du café en grains à usage professionnel.

Tout autre usage est considéré comme impropre et donc dangereux.

7. MISE EN SERVICE

7.1 Description des commandes

Interrupteur principal (Fig. 1-9) avec deux positions; quand il est allumé, la machine est prête à moudre le café.

7.2. Premier démarrage

Le KRYO 65 OD possède un menu de démarrage permettant de sélectionner les préférences personnelles de l'opérateur, lorsqu'il est mis en service pour la première fois. L'opérateur peut régler la langue, le mode de fonctionnement, la pré-sélection et la manière de commencer le broyage. Après la sélection des préférences, l'écran affiche un message « Procéder au calibrage ». Le calibrage doit être effectué avec la procédure présentée dans la structure du logiciel sous Compteur/Fraises/Calibrage. Ce message s'affiche après chaque préparation jusqu'à ce que le calibrage ait été effectué.

7.3 Réglage de la mouture

Le moulin à café est testé par le constructeur via un réglage de mouture intermédiaire. Puis, tout dépend donc du type de café utilisé.

- Introduire une petite dose de café en grains dans le récipient à trémie et fermer le couvercle ;
- Contrôler l'ouverture de la trémie (fermeture de trémie (Fig. 1-4) vers l'intérieur) ;

- Positionner le porte-filtre sur la fourche du porte-filtre (Fig. 1-8) et mouliner le café ;
- Passer un peu de café, en vérifiant le temps de distribution, l'apparence du café et son goût, tout en prenant en compte que des moutures trop grossières produisent un café léger coloré sans crème, tandis que les moutures trop fines produisent un café fort et sombre sans crème.
- Si le café ne satisfait pas aux attentes, régler la mouture en appuyant sur le bouton (Fig. 2-1) et en tournant l'embout (Fig. 2-3) dans le sens inverse des aiguilles d'une montre pour une mouture plus fine ou dans le sens des aiguilles d'une montre pour une mouture plus grosse.
- Répéter l'opération jusqu'à obtenir la quantité de café désirée,

Un recalibrage de la mouture est généralement uniquement nécessaire après un changement de café. Des ajustements mineurs peuvent être nécessaires au cours de l'usage afin d'ajuster les changements de fraîcheur des grains.

8. MISE HORS SERVICE

8.1. Temporaire

- Fermer le récipient à trémie et mouliner le café en grains restant entre les meules ;
- Éteindre l'interrupteur et débrancher la prise d'alimentation électrique ;
- Retirer le café moulu et l'éventuel café en grains resté dans le récipient à trémie ;
- Effectuer les opérations de nettoyage et d'entretien ;
- Enrouler le câble électrique et le fixer sur la machine à l'aide du ruban adhésif ;
- Couvrir la machine et la ranger dans un environnement sec, à l'abri des intempéries et à l'accès exclusif.

8.2. Définitive

En plus des opérations de mise hors service temporaire, il convient de :

- Couper le câble d'alimentation,
- Emballer la machine avec le carton ou autre et la remettre à la personne compétente (tri des déchets autorisé ou retrait usagé).

9. INFORMATION POUR LE SERVICE D'ASSISTANCE

9.1. Remplacement des meules

Les meules, bien qu'étant construites en acier trempé, sont sujettes à l'usure.

Leur durée de vie est influencée par la quantité de café moulu, par sa dureté et son niveau de torréfaction, ainsi que par la quantité et la pureté des confections de café en grains.

Les petits cailloux et les impuretés diverses ont une forte influence abrasive qui réduit de manière significative la durée de vie des meules.

Quand le temps de mouture est prolongé de manière notable ou quand la mouture devient irrégulière, il convient de procéder au remplacement des meules en agissant comme suit :

- Tirer le levier de fermeture à trémie (Fig. 1-4) ;
- Mettre en marche le moulin-doseur pour mouliner le café resté entre les meules ;
- Une fois la mouture achevée, éteindre la machine et débrancher la prise d'alimentation ;
- Vider le récipient à trémie (Fig. 1-2) ;
- Ôter la poignée de réglage (Fig. 1-3) ;
- Tourner le porte-meules supérieur (Fig. 4-1) dans le sens inverse des aiguilles d'une montre jusqu'à la sortie complète de la tête ;
- Dévisser les vis (Fig. 4-2) et démonter les meules (Fig. 4-3) du support porte-meules :

- Nettoyer soigneusement les plans d'appui des meules, le filetage du porte-meules et le siège ;
- Placer les nouvelles meules dans leurs supports et les bloquer fermement ;
- Remonter le tout en procédant dans l'ordre inverse.
- Procéder au réglage des nouvelles meules.

9.2. Réglage des meules

À effectuer après le remplacement des meules

Retirer le couvercle de protection (Fig. 1-5), maintenir le bouton ferme-embout pressé (Fig. 2-1) et simultanément, tourner lentement la poignée (Fig. 2-3) dans le sens des aiguilles d'une montre jusqu'à ce que les meules s'effleurent. Débander le bouton ferme-embout, tourner l'embout numéroté (Fig. 2-2) jusqu'à rejoindre le point de remise à zéro, puis déplacer l'embout numéroté de manière à ce que le 0 se trouve en position frontale ; puis déplacer la poignée (Fig. 2-3) dans le sens inverse (des aiguilles d'une montre) en la portant jusqu'à la position numérotée 10 ;

9.3 Menu technicien

Doit être effectué par un technicien qualifié.

L'accès au menu technicien est donné en coupant le moulin. Allumez l'interrupteur principal (Fig. 1-9) tout en pressant le bouton de confirmation.

10. LOGICIEL

La KRYO 65 OD possède trois menus à utiliser.

10.1 Usage des boutons

Pour configurer le KRYO 65 OD, les boutons de dose sont utilisés avec une fonction supplémentaire.

Le bouton de dose simple (Fig. 1b-12) est utilisé comme bouton « - », le bouton de dose double (Fig. 1b-13) comme bouton « + » et les deux boutons pour naviguer au sein du menu. Le bouton de dose personnalisé (Fig. 1b-14) est utilisé comme confirmation ou comme bouton ESC en fonction du menu.

10.2 Menu de dosage

Dans le menu de dosage, la quantité de café distribuée par un bouton peut être modifiée.

- Presser le bouton sélectionné pendant 3 secondes
- Modifier la valeur du bouton spécifique
- Confirmer la modification avec le bouton de confirmation

10.3 Menu barista

Le « menu barista » peut être ouvert en pressant le bouton de confirmation (Fig. 1-14) pendant 5 secondes.

Toute information supplémentaire est apportée dans l'arborescence du logiciel ci-dessous.

10.4 Menu technicien

Doit être effectué par un technicien qualifié.

Les paramètres grisés en arrière-plan sont accessibles uniquement au technicien de service

L'accès à ce menu est expliqué dans un autre chapitre du manuel.

Logiciel

Dosage	Simple	Temps de mouture de la dose simple en secondes		
	Double	Temps de mouture de la dose double en secondes		
	Personnalisé	Temps de mouture de la dose personnalisée en secondes		
	ESC	Quitter le menu		
Mode	Automatique	Paramètre le moulin en mode « automatique », la mouture ne peut pas être mise en pause au cours de la distribution		
	A la demande	Paramètre le moulin en mode « à la demande », la mouture peut être mise en pause au cours de la distribution		
	ESC	Quitter le menu		
Démarrer la dose	Par clavier	La mouture est démarrée en pressant le bouton requis		
	Par porte-filtre	La mouture est démarrée par le porte-filtre en actionnant le bouton du porte-filtre		
	Présélection	La présélection n'est possible que dans le mode automatique. « Oui » : la taille de la portion est choisie par l'intermédiaire du clavier ; « Non » : la taille de la portion est choisie en appuyant sur la touche du porte-filtre. Pour une portion simple, appuyer une fois sur la touche porte-filtre, pour une portion double appuyer deux fois. Le dosage individualisé de la portion par le client n'est pas disponible dans la présélection.		
	ESC	Quitter le menu		
Langue	English, Français ...	Sélectionner la langue – Italiano, English, Deutsch, Français, Español ou Portuguais et confirmer		
	ESC	Quitter le menu		
Compteurs	Total	Simple	Affiche le nombre total de doses simples préparées. Ne peut pas être réinitialisé	
		Double	Affiche le nombre total de doses doubles préparées. Ne peut pas être réinitialisé	
		Personnalisé	Affiche le nombre total de doses personnalisées préparées. Ne peut pas être réinitialisé	
		ESC	Quitter le menu	
	Compteur	Simple	Affiche le nombre de doses simples préparées depuis la dernière réinitialisation	
		Double	Affiche le nombre de doses doubles préparées depuis la dernière réinitialisation	
		Personnalisé	Affiche le nombre de doses personnalisées préparées depuis la dernière réinitialisation	
		RAZ	Réinitialise tous les compteurs de doses	
		ESC	Quitter le menu	
	Fraises	Calibrage		L'ajustage de la mouture est effectué par le biais de ce sous-menu et commencer avec la confirmation. Le calibrage ne s'effectue que lorsque le degré de mouture du café est correct.
			Mouture	Commence à mouler le café pendant un temps défini. Le café doit être pesé. Prendre trois modèles et calculer la moyenne.
			Poids	La quantité du café pesé est ajustée ici et confirmée
		Alarme	Quantité de café en kg lorsque la fraise doit être remplacée. Avec «D», l'alarme est désactivée	
		Compteur	Affiche la quantité de café moulu en kg	
		RAZ	Réinitialise le compteur de la fraise	
ESC		Quitter le menu		
ESC	Quitter le menu			
ESC	Quitter le menu			

ITALIANO

KRYO 65/ST

KRYO 65/AT

Macchina per la macinatura e dosatura di caffè

1. DESCRIZIONE

KRYO 65/ST

Macchina per la macinatura di caffè con accensione e spegnimento in modo manuale;

KRYO 65/AT

Macchina per la macinatura di caffè funzionante in modo automatico con possibile accensione e spegnimento in modo manuale.

Legenda (Fig. 1a)

1. Coperchio tramoggia
2. Tramoggia grani
3. Manopola di regolazione
4. Chiusura tramoggia
5. Coperchio dosatore
6. Dosatore
7. Pressino
8. Assieme forchetta
9. Interruttore generale
10. Scodellino raccolto polvere
11. Leva
12. Manopola di regolazione dose

2. FUNZIONAMENTO

La tramoggia grani del KRYO 65 è dotata di un ferma ghiera (fig. 5), che deve restare chiuso durante il funzionamento.

Il ferma ghiera è marcato nella parete esterna della tramoggia grani. Quando l'intaglio coincide con la freccia è possibile estrarre o montare la tramoggia grani. Per fissare la tramoggia, l'intaglio va girato verso sinistra.

KRYO 65/ST

Macinare il caffè all'occorrenza azionando l'interruttore generale (Fig. 1-9)

KRYO 65/AT

Premere l'interruttore generale (Fig. 1-9) e dopo di che la macinatura viene effettuata in modo automatico.

Si consiglia di macinare la quantità di caffè necessario al fabbisogno imminente perché lasciare per troppo tempo inutilizzato il caffè macinato significa perdita di freschezza e aroma.

Non macinare una seconda volta il caffè già macinato.

- Posizionare il portafiltro nella forchetta di riferimento (Fig. 1-8), tirare a sé con un deciso movimento e successivo rilascio la leva (Fig. 1a-11) per una o più volte secondo le dosi che si vogliono prelevare (ogni azione della leva corrisponde a una dose).
- Livellare il caffè contenuto nel filtro, posizionare il portafiltro sotto il pressino (Fig. 1a-7) e sollevare con moderazione per imprimere compattezza al caffè;
- Controllare che sul bordo del portafiltro non rimanga caffè macinato.

3. MANUTENZIONE

Le operazioni di manutenzione vanno effettuate a macchina spenta e con la spina di alimentazione elettrica disinserita.

Raccomandiamo l'utilizzo di detersivi per la pulizia, che potranno essere acquistati direttamente presso la nostra azienda.

Per la pulizia non utilizzare strumenti metallici o abrasivi tipo pagliette, spazzole metalliche, aghi, ecc., e detersivi, (alcool ecc.) ma usare un panno o una spugna umidi.

3.1. Giornaliera

- Pulire la carrozzeria e lo scodellino raccolto polvere.
- Pulire il dosatore posto sotto il contenitore di caffè.
- Pulire l'uscita caffè con uno spazzolino.

3.2. Periodica o dopo l'uso intenso

Svuotare il contenitore del caffè in grani, pulirlo con un sapone detergente delicato dai residui oleosi lasciati dal caffè stesso. Risciacquare accuratamente!

I materiali di scarto usati per la lavorazione o manutenzione, se non biodegradabili o inquinanti, vanno riposti in separati contenitori e consegnati negli appositi centri di raccolta.

4. INCONVENIENTI E RIMEDI

Operazioni di controllo eseguibili dall'utilizzatore

Per ogni altro tipo di anomalia o inconveniente non specificato, staccare la spina di corrente, astenersi da interventi diretti di riparazione o verifica e rivolgersi al servizio tecnico di assistenza qualificato.

A) Non si accende la macchina:

- Controllare se è inserita la spina;
- Controllare che ci sia corrente in rete e il salvavita o l'interruttore generale sia inserito;
- Controllare le condizioni della spina e del cavo di alimentazione, se sono danneggiati farli sostituire da personale qualificato.

B) Non macina caffè:

- Controllare che ci sia caffè in grani nel contenitore;
- Controllare che la leva di chiusura tramoggia sia aperta.

C) Macinatura a tempi lunghi

- Controllare la regolazione di macinatura;
- Fare sostituire le macine da personale qualificato.

D) Le dosi non sono uniformi:

- Pulire accuratamente il serbatoio del caffè macinato e la parte sottostante (bocca di uscita caffè)
- Controllare che la leva dosatrice percorra completamente e liberamente il movimento.

5. DATI TECNICI

Versioni		KRYO 65/ST KRYO 65/AT
Dimensione macchina	mm	L.220 - P.385 - H.575
Peso netto macchina	kg	13
Produzione	kg/h	7-9
Capacità Tramoggia grani	g	1300
Regolazione dosi	g	5-10

Schema d'identificazione dati di targa (Fig. 3)

1. Produttore
2. Modello e versione
3. Tensione
4. Marchio CE di conformità
5. Numero di serie
6. Pin
7. Assorbimento totale
8. --
9. --
10. --

11. Frequenza
12. Marchi di conformità
13. Data di produzione

6. INSTALLAZIONE

L'installazione deve essere effettuata dal tecnico qualificato.

La macchina viene consegnata pronta per l'installazione secondo i dati di targa - Fig. 3

Accertarsi che la linea elettrica abbia le stesse caratteristiche della macchina.

Controllare l'integrità della macchina, degli accessori, del cavo di alimentazione e della spina ed in caso di danni, avvertire con tempestività il rivenditore.

Le macchine sono state progettate e costruite per la macinatura di caffè in grani ad uso professionale.

Ogni altro uso è da considerarsi improprio e quindi pericoloso.

7. MESSA IN SERVIZIO

7.1. Descrizione comandi

KRYO 65/ST

Interruttore generale (Fig. 1-9) a due posizioni; premuto, si inserisce il collegamento elettrico e inizia la macinatura caffè.

KRYO 65/AT

Interruttore generale (Fig. 1-9) a due posizioni; in posizione (I), si inserisce il collegamento elettrico; il macinacaffè è acceso e si spegnerà automaticamente quando il dosatore sarà pieno.

7.2. Regolazione macinatura

Il macinacaffè viene collaudato dal costruttore con una regolazione di macinatura intermedia. E' quindi dipende dal tipo di caffè usato.

- Inserire nel contenitore tramoggia una piccola quantità di caffè in grani e chiudere il coperchio;
- Controllare che la tramoggia sia aperta (leva (Fig. 1-4));
- Effettuare la macinatura di una piccola dose di caffè;
- Posizionare il portafiltro nella forchetta (Fig. 1-8), quindi azionare la leva (Fig. 1a-11) per far scendere la dose di caffè macinato;
- Preparare un caffè controllando il tempo di erogazione, l'aspetto del caffè e il sapore considerando che una macinatura troppo grossa comporta caffè chiari e senza crema, mentre una macinatura troppo fine comporta caffè forti, scuri e senza crema.
- Se il caffè non risponde ai requisiti desiderati, regolare la macinatura premendo il pulsante (Fig. 2-1) e ruotando la manopola (Fig. 2-3) in senso anti-orario per macinatura più fine o in senso orario per macinature più grosse.
- Ripetere l'operazione fino ad ottenere la quantità di caffè desiderato,

La ricalibrazione delle macine è tipicamente necessaria solo dopo un cambio di tipo di caffè. Regolazioni di minore entità possono essere richieste a seguito di cambiamenti nella freschezza dei grani.

7.3. Regolazione dose di caffè macinato

Le dosi possono essere regolate intervenendo come segue:

- Agire sulla manopola (Fig. 1a-12) sotto il dosatore in senso antiorario per aumentare la dose.
- Azionare la leva di dosaggio (fig. 1a-11) sei volte e controllare ogni volta la dose. Controllare che la stella di dosaggio sia completamente coperta di caffè.

8. MESSA FUORI SERVIZIO

8.1. Temporanea

- Chiudere il contenitore a tramoggia e macinare il caffè in grani rimasto fra le macine;
- Spegnerne l'interruttore e staccare la spina di alimentazione elettrica;
- Togliere il caffè macinato e l'eventuale caffè in grani rimasto nel contenitore a tramoggia;
- Effettuare le operazioni di pulizia e manutenzione;
- Avvolgere il cavo elettrico e fissarlo alla macchina con del nastro adesivo;
- Coprire la macchina e riporla in un ambiente asciutto, al riparo da intemperie e di esclusivo accesso.

8.2. Definitiva

Oltre alle operazioni della messa fuori servizio temporanea, provvedere a:

- Tagliare il cavo di alimentazione,
- Imballare la macchina con cartone o altro e consegnarla al personale preposto (smaltimento rifiuti autorizzato o ritiro usato).

9. INFORMAZIONE PER IL SERVIZIO

ASSISTENZA

9.1. Sostituzione macine

Le macine, pur essendo costruite in acciaio temperato, sono soggette ad usura.

La loro durata è influenzata dalla quantità di caffè macinato, dalla sua durezza e grado di tostatura, nonché dalla quantità e purezza delle confezioni di caffè in grani.

Sassolini ed impurità varie hanno una forte azione abrasiva che riduce notevolmente la vita delle macine.

Quando il tempo di macinatura si allunga notevolmente o la macinatura diventa irregolare, occorre provvedere alla sostituzione delle macine agendo nel seguente modo:

- Tirare la leva di chiusura tramoggia (Fig. 1-4);
- Avviare il macinadosatore per macinare il caffè rimasto fra le macine;
- Terminata la macinatura, spegnere la macchina e staccare la linea di alimentazione;
- Svuotare la tramoggia grani (Fig. 1-2);
- Togliere la manopola di regolazione (Fig. 1-3);
- Ruotare i porta macine superiore (Fig. 4-1) in senso antiorario fino alla completa fuoriuscita della testata;
- Svitare le viti (Fig. 4-2) e smontare le macine (Fig. 4-3) dai supporti porta macine;
- Pulire accuratamente i piani di appoggio delle macine, la filettatura del porta macine e la sede;
- Posizionare le nuove macine nei rispettivi supporti e bloccarle solidamente;
- Rimontare il tutto procedendo in senso inverso.
- Procedere alla taratura delle nuove macine.

9.2. Taratura delle macine

Da effettuare dopo la sostituzione delle macine

Tenere premuto il pulsante ferma ghiera (Fig. 2-1) e contemporaneamente ruotare lentamente in senso antiorario la manopola (Fig. 2-3) fino a che le macine si sfiorino, ruotare la ghiera numerata (Fig. 2-2) fino al raggiungimento del punto di azzeramento, spostare quindi la ghiera numerata in modo che lo 0 sia in posizione frontale; spostare quindi la manopola (Fig. 2-3) in senso opposto (orario).

KRYO 65 OD

Macchina per la macinatura on demand di caffè

1. DESCRIZIONE

KRYO 65 OD

Macchina per la macinatura on demand di caffè funzionante in modo automatico

Legenda (Fig. 1b)

1. Coperchio tramoggia
2. Tramoggia grani
3. Manopola di regolazione
4. Chiusura tramoggia
5. Coperchio di protezione
6. Pulsante portafiltro
7. Uscita Caffè
8. Assieme forchetta
9. Interruttore generale
10. Scodellino raccolta polvere
11. Schermo
12. Pulsante dose singola
13. Pulsante dose doppia
14. Pulsante dose custom

2. FUNZIONAMENTO

La tramoggia grani del KRYO 65 è dotata di un ferma ghiera (fig. 5), che deve restare chiuso durante il funzionamento.

Il ferma ghiera è marcato nella parete esterna della tramoggia grani. Quando l'intaglio coincide con la freccia è possibile estrarre o montare la tramoggia grani. Per fissare la tramoggia, l'intaglio va girato verso sinistra.

Premere l'interruttore generale (Fig. 1-9). La macinatura avverrà in due modi.

I modi e come attivarli vengono configurati nel software e possono essere modificati dall'utilizzatore se necessario.

Non macinare una seconda volta il caffè già macinato.

2.1. Modo Automatico

Nel "Modo Automatico", il macinino continua a macinare fino al termine della dose pre programmata. Se la macinatura è interrotta la dose viene cancellata.

Attivazione tramite portafiltro:

- Seleziona la dose di caffè richiesta - singola, doppia o custom (Fig. 1b-12 a 14). Il LED del pulsante della dose selezionata si illuminerà. Il pulsante della dose custom non ha LED. La dose selezionata verrà anche visualizzata sullo schermo.
 - Posiziona il portafiltro nella forchetta di riferimento (Fig. 1-8) e premi una volta il pulsante portafiltro (Fig. 1b-6)
 - Il macinino lavora il tempo predefinito e si arresta automaticamente.
 - Per interrompere anticipatamente, premi il pulsante selezionato sulla tastiera. La macinatura non potrà continuare.
 - Livellare il caffè contenuto nel filtro e pressare con il pressino;
 - Controllare che sul bordo del portafiltro non rimanga caffè macinato.
- In alternativa, e se impostato tramite menu <Preselezione "No">, la dose può essere selezionata tramite portafiltro.
- Posiziona il portafiltro nella forchetta di riferimento (Fig. 1-8) e premi una volta il pulsante portafiltro (Fig. 1b-6) una volta per la dose singola e due volte per la dose doppia. La dose selezionata verrà visualizzata a display ed il LED del relativo

tasto lampeggerà. In questa modalità non è disponibile la dose Custom.

- Il macinino lavora il tempo predefinito e si arresta automaticamente.
- Per interrompere anticipatamente, premi un pulsante selezionato sulla tastiera. La macinatura non potrà continuare.
- Livellare il caffè contenuto nel filtro e pressare con il pressino;
- Controllare che sul bordo del portafiltro non rimanga caffè macinato.

Attivazione tramite tastiera:

- Posiziona il portafiltro nella forchetta di riferimento (Fig. 1-8)
- Seleziona la dose di caffè richiesta - singola, doppia o custom (Fig. 1b-12 a 14). Il LED del pulsante della dose selezionata si illuminerà. Il pulsante della dose custom non ha LED. La dose selezionata verrà anche visualizzata sullo schermo.
- Il macinino lavora il tempo predefinito e si arresta automaticamente.
- Per interrompere anticipatamente, premi il pulsante selezionato sulla tastiera. La macinatura non potrà continuare.
- Livellare il caffè contenuto nel filtro e pressare con il pressino;
- Controllare che sul bordo del portafiltro non rimanga caffè macinato.

2.2. Modo On Demand

Nel "Modo On demand", la macinatura può essere messa in pausa e ripristinata.

Attivazione tramite portafiltro:

- Seleziona la dose di caffè richiesta - singola, doppia o custom (Fig. 1b-12 a 14). Il LED del pulsante della dose selezionata si illuminerà. Il pulsante della dose custom non ha LED. La dose selezionata verrà anche visualizzata sullo schermo.
- Posiziona il portafiltro nella forchetta di riferimento (Fig. 1-8) e premi una volta il pulsante portafiltro (Fig. 1b-6)
- Il macinino lavora il tempo predefinito e si arresta automaticamente.
- Per mettere in pausa la macinatura prima della fine, rilascia il pulsante portafiltro, e riattivala premendo e mantenendo premuto il pulsante portafiltro.
- Per interrompere anticipatamente, premi qualsiasi pulsante sulla tastiera. La macinatura non potrà continuare.
- Livellare il caffè contenuto nel filtro e pressare con il pressino;
- Controllare che sul bordo del portafiltro non rimanga caffè macinato.

Attivazione tramite tastiera:

- Posiziona il portafiltro nella forchetta di riferimento (Fig. 1-8)
- Seleziona la dose di caffè richiesta - singola, doppia o custom (Fig. 1b-12 a 14). Il LED del pulsante della dose selezionata si illuminerà. Il pulsante della dose custom non ha LED. La dose selezionata verrà anche visualizzata sullo schermo.
- Il macinino lavora il tempo predefinito e si arresta automaticamente.
- Per interrompere anticipatamente, premi qualsiasi pulsante sulla tastiera. La macinatura potrà continuare ripremendo lo stesso pulsante. La macinatura verrà interrotta premendo qualsiasi altro pulsante e non potrà continuare.
- Livellare il caffè contenuto nel filtro e pressare con il pressino;
- Controllare che sul bordo del portafiltro non rimanga caffè macinato.

2.3. Pulsante dose custom

Se la dose custom è impostata a 0.0, la macinazione continua sarà di 10 secondi. Se si necessita un tempo più lungo occorre tenere premuto il pulsante custom durante i 10 secondi fino al cambiamento della prima linea del display; in questo modo la macinazione durerà fino a 300 secondi.

Premere nuovamente il tasto custom per fermare la macinazione.

3. MANUTENZIONE

Le operazioni di manutenzione vanno effettuate a macchina spenta e con la spina di alimentazione elettrica disinserita.

Raccomandiamo l'utilizzo di detergenti per la pulizia, che potranno essere acquistati direttamente presso la nostra azienda.

Per la pulizia non utilizzare strumenti metallici o abrasivi tipo pagliette, spazzole metalliche, aghi, ecc., e detergenti, (alcool ecc.) ma usare un panno o una spugna umidi.

3.1. Giornaliera

- Pulire la carrozzeria e lo scodellino raccolto polvere.
- Pulire il dosatore posto sotto il contenitore di caffè.
- Pulire l'uscita caffè con uno spazzolino.

3.2. Periodica o dopo l'uso intenso

Svuotare il contenitore del caffè in grani, pulirlo con un sapone detergente delicato dai residui oleosi lasciati dal caffè stesso. Risciacquare accuratamente!

I materiali di scarto usati per la lavorazione o manutenzione, se non biodegradabili o inquinanti, vanno riposti in separati contenitori e consegnati negli appositi centri di raccolta.

3.3. Sostituzione delle macine

Il KRYO65 OD ha un contatore integrato, che informa l'utente, dopo che viene raggiunta la quantità predefinita di caffè macinato, che le macine sono da sostituire.

La sostituzione delle macine deve essere eseguita solo da servizio tecnico di assistenza qualificato.

Si prega di contattare la locale organizzazione vendite.

4. INCONVENIENTI E RIMEDI

Operazioni di controllo eseguibili dall'utilizzatore

Per ogni altro tipo di anomalia o inconveniente non specificato, staccare la spina di corrente, astenersi da interventi diretti di riparazione o verifica e rivolgersi al servizio tecnico di assistenza qualificato.

A) Non si accende la macchina:

- Controllare se è inserita la spina;
- Controllare che ci sia corrente in rete e il salvavita o l'interruttore generale sia inserito;
- Controllare le condizioni della spina e del cavo di alimentazione, se sono danneggiati farli sostituire da personale qualificato.

B) Non macina caffè:

- Controllare che ci sia caffè in grani nel contenitore;
- Controllare che la leva di chiusura tramoggia sia aperta.

C) Macinatura a tempi lunghi

- Controllare la regolazione di macinatura;
- Fare sostituire le macine da personale qualificato.

5. DATI TECNICI

Versioni		KRYO 65 OD
Dimensione macchina	mm	L.220 - P.356 - H.575
Peso netto macchina	kg	13
Produzione	g/s	3.5
Capacità Tramoggia grani	g	1300

Schema d'identificazione dati di targa (Fig. 3)

1. Produttore
2. Modello e versione
3. Tensione
4. Marchio CE di conformità
5. Numero di serie
6. Pin
7. Assorbimento totale
8. --
9. --
10. --
11. Frequenza
12. Marchi di conformità
13. Data di produzione

6. INSTALLAZIONE

L'installazione deve essere effettuata dal tecnico qualificato.

La macchina viene consegnata pronta per l'installazione secondo i dati di targa - Fig. 3

Accertarsi che la linea elettrica abbia le stesse caratteristiche della macchina.

Controllare l'integrità della macchina, degli accessori, del cavo di alimentazione e della spina ed in caso di danni, avvertire con tempestività il rivenditore.

Le macchine sono state progettate e costruite per la macinatura di caffè in grani ad uso professionale.

Ogni altro uso è da considerarsi improprio e quindi pericoloso.

7. MESSA IN SERVIZIO

7.1. Descrizione comandi

Interruttore generale (Fig. 1-9) a due posizioni; premuto, la macchina è pronta per la macinatura.

7.2. Primo Avvio

Il KRYO 65 OD ha un menu di avvio per selezionare, quando acceso per la prima volta, le preferenze personali dell'operatore. L'operatore deve scegliere la lingua, il modo e come attivare la macinatura. Dopo la scelta delle preferenze, lo schermo mostrerà il messaggio "effettuare la taratura". La taratura deve essere effettuata con la procedura mostrata nello Schema Software sotto Contatore/Macine/Taratura. Questo messaggio sarà mostrato dopo ogni operazione fin quando non verrà effettuata la calibrazione.

7.3. Regolazione macinatura

Il macinacaffè viene collaudato dal costruttore con una regolazione di macinatura intermedia. La regolazione quindi dipende dal tipo di caffè usato.

- Inserire nel contenitore tramoggia una piccola quantità di caffè in grani e chiudere il coperchio;
- Controllare che la tramoggia sia aperta (Fig. 1-4);
- Posizionare il portafiltro nella forchetta (Fig. 1-8), ed effettuare la macinatura di una piccola dose di caffè
- Preparare un caffè controllando il tempo di erogazione, l'aspetto del caffè e il sapore considerando che una macinatura troppo grossa comporta caffè chiari e senza crema, mentre una macinatura troppo fine comporta caffè forti, scuri e senza crema.

- Se il caffè non risponde ai requisiti desiderati, regolare la macinatura premendo il pulsante (Fig. 2-1) e ruotando la manopola (Fig. 2-3) in senso anti-orario per macinatura più fine o in senso orario per macinature più grosse.
- Ripetere l'operazione fino ad ottenere la quantità di caffè desiderato,

La ricalibrazione delle macine è tipicamente necessaria solo dopo un cambio di tipo di caffè. Regolazioni di minore entità possono essere richieste a seguito di cambiamenti nella freschezza dei grani.

8. MESSA FUORI SERVIZIO

8.1. Temporanea

- Chiudere il contenitore a tramoggia e macinare il caffè in grani rimasto fra le macine;
- Spegnerne l'interruttore e staccare la spina di alimentazione elettrica;
- Togliere il caffè macinato e l'eventuale caffè in grani rimasto nel contenitore a tramoggia;
- Effettuare le operazioni di pulizia e manutenzione;
- Avvolgere il cavo elettrico e fissarlo alla macchina con del nastro adesivo;
- Coprire la macchina e riporla in un ambiente asciutto, al riparo da intemperie e di esclusivo accesso.

8.2. Definitiva

Oltre alle operazioni della messa fuori servizio temporanea, provvedere a:

- Tagliare il cavo di alimentazione,
- Imballare la macchina con cartone o altro e consegnarla al personale preposto (smaltimento rifiuti autorizzato o ritiro usato).

9. INFORMAZIONE PER IL SERVIZIO ASSISTENZA

9.1. Sostituzione macine

Le macine, pur essendo costruite in acciaio temperato, sono soggette ad usura.

La loro durata è influenzata dalla quantità di caffè macinato, dalla sua durezza e grado di tostatura, nonché dalla quantità e purezza delle confezioni di caffè in grani.

Sassolini ed impurità varie hanno una forte azione abrasiva che riduce notevolmente la vita delle macine.

Quando il tempo di macinatura si allunga notevolmente o la macinatura diventa irregolare, occorre provvedere alla sostituzione delle macine agendo nel seguente modo:

- Tirare la leva di chiusura tramoggia (Fig. 1-4);
- Avviare il macinadosatore per macinare il caffè rimasto fra le macine;
- Terminata la macinatura, spegnere la macchina e staccare la linea di alimentazione;
- Svuotare la tramoggia grani (Fig. 1-2);
- Togliere la manopola di regolazione (Fig. 1-3);
- Ruotare i porta macine superiore (Fig. 4-1) in senso antiorario fino alla completa fuoriuscita della testata;
- Svitare le viti (Fig. 4-2) e smontare le macine (Fig. 4-3) dai supporti porta macine:
- Pulire accuratamente i piani di appoggio delle macine, la filettatura del porta macine e la sede;
- Posizionare le nuove macine nei rispettivi supporti e bloccarle solidamente;
- Rimontare il tutto procedendo in senso inverso.
- Procedere alla taratura delle nuove macine.

9.2. Taratura delle macine

Da effettuare dopo la sostituzione delle macine

Rimuovere il coperchio di protezione (Fig.1-5), tenere premuto il pulsante ferma ghiera (Fig. 2-1) e contemporaneamente ruotare lentamente in senso antiorario la manopola (Fig. 2-3) fino a che le macine si sfiorino. Rilasciare il pulsante ferma ghiera, ruotare la ghiera numerata (Fig. 2-2) fino al raggiungimento del punto di azzeramento, spostare quindi la ghiera numerata in modo che lo 0 sia in posizione frontale; spostare quindi la manopola (Fig. 2-3) in senso opposto (orario).

9.3 Menu tecnico

Deve essere utilizzato da un tecnico qualificato.

L'accesso al menu tecnico è possibile spegnendo il macinadosatore e accendendolo tramite l'interruttore principale (Fig. 1-9) premendo nello stesso momento il pulsante di conferma.

10. SOFTWARE

Il KRYO65 OD ha tre menu da utilizzare.

10.1 Uso dei pulsanti

Per configurare il KRYO65 OD i pulsanti delle dosi saranno utilizzati con una funzione aggiuntiva.

Il pulsante dose singola (Fig.1b-12) sarà utilizzato come pulsante “-“, il pulsante dose doppia (Fig.1b-13) come pulsante “+” e entrambi i pulsanti per muoversi attraverso il menu. Il pulsante dose customizzata (Fig.1b-14) viene utilizzato come conferma o come pulsante di ESC a seconda del menu.

10.2 Menu Dosatura

Nel menu di dosatura la quantità di caffè fornita da un pulsante può essere cambiata.

- Premi il pulsante selezionato per 3 secondi
- Cambia il valore dello specifico pulsante
- Conferma il cambio con il pulsante di conferma.

10.3 Menu Barista

Il “Menu Barista” può essere avviato premendo il pulsante di conferma (Fig.1-14) per 5 secondi.

Ogni ulteriore informazione è indicata nel seguente schema software.

10.4 Menu Tecnico

Deve essere utilizzato da un tecnico qualificato.

I parametri con sfondo grigio sono accessibili solo al tecnico di servizio.

L'accesso a questo menu è trattato in un altro capitolo del manuale.

Schema Software

Dosatura	Singolo	Tempo per macinare la dose singola in secondi	
	Doppio	Tempo per macinare la dose doppia in secondi	
	Custom	Tempo per macinare la dose custom in secondi	
	ESC	Uscire dal menu	
Modo Erogazione	Automatico	Imposta il macinadosatore in modo "Automatico", la macinatura non può essere interrotta	
	On Demand	Imposta il macinadosatore in modo "On Demand", la macinatura può essere interrotta	
	ESC	Uscire dal menu	
Avvio dose	Tastiera	La macinatura sarà avviata premendo il pulsante della tastiera, richiesto	
	Portafiltra	La macinatura sarà avviata premendo il pulsante tramite portafiltra. Verrà erogata la dose pre-selezionata.	
	Preselezione	La scelta del modo di preselezione è disponibile solo in modalità Automatico. Impostando "SI" la selezione della dose avviene tramite tastiera; "No" la selezione della dose viene effettuata premendo il pulsante con il portafiltra; una volta per la dose singola e due volte per la dose doppia. La dose Custom non è disponibile impostando Preselezione "NO".	
ESC	Uscire dal menu		
Lingua	English, Italiano...	Seleziona la lingua del menu – Italiano, English, Deutsch, Francais, Espanol o Portugues e conferma.	
	ESC	Uscire dal menu	
Contatori	Totali	Singolo	Mostra il numero totale di dosi singole erogate. Non azzerabile
		Doppio	Mostra il numero totale di dosi doppie erogate. Non azzerabile
		Custom	Mostra il numero totale di dosi custom erogate. Non azzerabile
		ESC	Uscire dal menu
	Parziali	Singolo	Mostra il numero di dosi singole erogate dall'ultimo azzeramento
		Doppio	Mostra il numero di dosi doppie erogate dall'ultimo azzeramento
		Custom	Mostra il numero di dosi custom erogate dall'ultimo azzeramento
		Reset	Azzerata il contatore di dosi
	ESC	Uscire dal menu	
	Macine	Taratura	La taratura delle macine viene effettuata con questo sotto menu ed inizia dopo la conferma La calibrazione verrà effettuata solamente quando il grado di macinatura è corretto.
		Macinatura	Inizia a macinare caffè per un tempo definito. Il caffè deve essere pesato. Preleva tre campioni e calcola la media.
		Pesata	La quantità di caffè pesato deve essere inserita e confermata.
		Allarme	Quantità di caffè in Kg da macinare prima che le macine vengano sostituite. Con "0" l'allarme è disabilitato.
		Contatore	Mostra la quantità di caffè macinato in Kg.
		Reset	Azzerata il contatore macine
ESC		Uscire dal menu	
ESC	Uscire dal menu		
ESC	Uscire dal menu		

KRYO 65/ST

KRYO 65/AT

Máquina para la molienda y dosificación de café

1. DESCRIPCIÓN

KRYO 65/ST

Molino de café con encendido y apagado en modo manual.

KRYO 65/AT

Molino de café que funciona en modo automático con la posibilidad de encendido y apagado en modo manual.

Leyenda (Fig. 1a)

1. Tapa de la tolva
2. Tolva de granos
3. Botón de regulación
4. Cierre de la tolva
5. Tapa del dosificador
6. Dosificador
7. Prensa café
8. Conjunto de horquilla
9. Interruptor
10. Cazoleta recoge polvo
11. Palanca
12. Botón de mando

2. FUNCIONAMIENTO

La tolva de granos de la KRYO 65 está equipada con un sistema de cierre (Fig. 5), que deberá estar cerrado durante el funcionamiento.

El sistema de cierre está marcado en el exterior de la tolva de granos. Cuando la ranura está en dirección de la marca, se puede retirar o montar la tolva de granos. Para bloquear la tolva de granos se deberá girar la ranura hacia la izquierda.

KRYO 65/ST

Moler el café, en caso necesario, accionando el interruptor general (Fig. 1-9).

KRYO 65/AT

Pulsar el interruptor general (Fig. 1-9) y después de que la molienda se realice de modo automático.

Se aconseja moler la cantidad de café necesaria en el momento de consumo puesto que, si se deja demasiado tiempo en pausa, el café molido pierde su frescura y aroma.

No volver a moler el café ya molido.

- Colocar el portafiltros en la horquilla respectiva (Fig. 1-8), tirar hacia sí con un movimiento seco y, a continuación, soltar la palanca (Fig. 1a-11) una o más veces, dependiendo de las cantidades que se desean retirar (cada accionamiento de la palanca corresponde a una dosis).
- nivelar el café contenido en el filtro, colocar el portafiltros debajo del prensa café (Fig. 1a-7) y levantar presionando hasta obtener un café compacto;
- Eliminar posibles residuos de café molido en el borde del portafiltros.

3. MANTENIMIENTO

Las operaciones de mantenimiento se realizarán con la máquina parada y la clavija de la alimentación eléctrica desconectada.

Recomendamos detergentes que vendemos nosotros mismos

Para la limpieza no utilizar instrumentos metálicos o abrasivos, como estropajos o cepillos metálicos, agujas, etc., ni detergentes (alcohol, etc.), sino utilizar un paño o una esponja húmedos.

3.1. Diario

- Limpiar el cuerpo y el recoge polvo del café molido.
- Limpiar la zona dosificadora situada debajo del contenedor de café.
- Limpiar la boca de salida del café con un cepillo.

3.2. Periódico o después de un uso intenso

Vaciar el contenedor del café en grano, limpiarlo de residuos aceitosos dejados por el café mismo. Enjuagar bien!

Los materiales de desecho utilizados para la elaboración y mantenimiento, si no son biodegradables o están contaminados, deberán depositarse en contenedores separados y entregados en los centros de recogida de residuos apropiados.

4. PROBLEMAS Y SOLUCIONES

Operaciones de control a ejecutar por el usuario

Para cualquier otro tipo de anomalía o inconveniente no especificado, desconectar la clavija de la corriente, abstenerse de realizar reparaciones o verificaciones directamente y dirigirse al servicio de asistencia técnica cualificado.

A) La máquina no se enciende:

- Controlar si la clavija está conectada;
- controlar que haya corriente en la red y que el interruptor diferencial o el interruptor general esté conectado;
- controlar las condiciones de la clavija y del cable de alimentación; si están dañados, encargue su sustitución a personal cualificado.

B) No muele café:

- Controlar que haya café en grano en la tolva;
- controlar que la palanca de cierre de la tolva esté abierta (la palanca hacia adentro).

C) Molienda a intervalos largos:

- Controlar el ajuste de la molienda;
- encargar la sustitución de las fresas a personal cualificado.

D) Las cantidades no son uniformes:

- Limpiar cuidadosamente el depósito del café molido y la parte inferior (la boca de salida del café);
- controlar que la palanca dosificadora recorra el movimiento completa y libremente.

5. DATOS TÉCNICOS

Versiones		KRYO 65/ST KRYO 65/AT
Dimensiones de la máquina	mm	L.220 - P.385 - H.575
Peso neto de la máquina	kg	13
Producción	kg/h	7-9
Capacidad Tolva de granos	g	1300
Ajuste de las cantidades	g	5-10

Esquema de identificación de los datos de la placa (Fig. 3)

1. Fabricante
2. Modelo y versión
3. Tensión
4. Marca de conformidad CE
5. Número de serie
6. Pin
7. Absorción total
8. --

- 9. --
- 10. --
- 11. Frecuencia
- 12. Marcas de conformidad
- 13. Fecha de fabricación

6. INSTALACIÓN

La instalación deberá ser efectuada por un técnico cualificado.

La máquina se entrega lista para su instalación según los datos de la placa, fig. 1.

Comprobar que la línea eléctrica tenga las mismas características que la máquina.

Controlar que la máquina, los accesorios, el cable de alimentación y la clavija estén intactos y, en caso de daños, avisar al distribuidor de inmediato.

Las máquinas han sido diseñadas y fabricadas para la molienda de café en grano para uso profesional.

Toda otra utilización se considerará impropia y, por lo tanto, peligrosa.

7. PUESTA EN MARCHA

7.1. Descripción de los mandos

KRYO 65/ST

Interruptor general (Fig. 1-9) y dos posiciones: pulsado, se procede a la conexión eléctrica y se inicia la molienda del café.

KRYO 65/AT

Interruptor general (Fig. 1-9) con dos posiciones; en posición (I) se procede a la conexión eléctrica.

7.2. Ajuste de la molienda

El molinillo de café viene comprobado de fábrica con un ajuste de molienda intermedia. Pero depende del tipo de café utilizado.

- Introducir en la tolva una pequeña cantidad de café en grano y cerrar la tapa;
- controlar que la tolva esté abierta (la palanca (Fig. 1-4) hacia adentro);
- colocar el portafiltros sobre la horquilla (Fig. 1-8), a continuación accionar la palanca (Fig. 1a-11) para hacer descender la cantidad de café molido;
- Prepare algo de café, controlando el tiempo de suministro, el aspecto del café y su sabor, teniendo en cuenta que una molienda demasiado gruesa produce un café de color claro sin crema, mientras que un café molido demasiado fino da como resultado un café fuerte, oscuro y sin crema.
- Si el café no cumple con los requisitos deseados, ajustar la molienda pulsando el botón (Fig. 2-1) y girando el anillo (Fig. 2-3) en el sentido contrario a las agujas del reloj para moliendas más finas, o en el sentido de las agujas del reloj para moliendas más gruesas.
- Repetir la operación hasta obtener la cantidad de café deseada.

Por lo general, la recalibración de la molienda solo es necesaria si se cambia de café. Podría ser necesario realizar algunos ajustes menores durante el empleo, para adaptarse a cambios en la frescura de los granos.

7.3. Ajuste de la cantidad de café molido

Las cantidades pueden ajustarse procediendo como sigue:

- Accionar el botón de mando (Fig. 1-12) debajo del dosificador en sentido contrario a las agujas del reloj para aumentar la cantidad.
- Accionar la palanca de dosificación (Fig. 1a-11) 6 veces y comprobar la dosis cada vez. Hay que fijarse en que la rueda de estrella de la dosificación esté completamente cubierta con café molido.

8. PUESTA FUERA DE SERVICIO

8.1. Temporal

- Cerrar el contenedor tolva y moler el café en grano que ha quedado entre las fresas;
- apagar el interruptor y desconectar la clavija de la alimentación eléctrica;
- Vaciar el café molido y retirar el café en grano que haya quedado eventualmente en el contenedor tolva;
- efectuar las operaciones de limpieza y mantenimiento;
- enrollar el cable eléctrico y fijarlo a la máquina con una cinta adhesiva;
- cubrir la máquina y colocarla en un entorno seco, al abrigo de la intemperie y de acceso exclusivo.

8.2. Definitiva

Además de las operaciones de la puesta fuera de servicio temporal, proceda a:

- cortar el cable de la alimentación
- empaquetar la máquina con cartón u otro material y enviarla al personal encargado (eliminación de residuos autorizada o retiro de la máquina usada).

9. INFORMACIÓN PARA EL SERVICIO DE ASISTENCIA

9.1. Sustitución de las fresas

A pesar de que las fresas están fabricadas en acero templado, están sujetos a desgaste.

Su vida útil está influenciada por la cantidad de café molido en una punta temporal, por su dureza y grado de torrefacción, así como por la cantidad de posibles impurezas de las mezclas del café en grano.

Piedrecillas e impurezas diversas ejercen una fuerte acción abrasiva que reduce notablemente la vida útil de las fresas.

Cuando el tiempo de la molienda se prolonga notablemente o la molienda se vuelve irregular, habrá que proceder a sustituir las fresas actuando del modo siguiente:

- Tirar de la palanca de cierre de tolva (Fig. 1-4);
- poner en marcha el molinillo dosificador para moler el café que ha quedado entre las fresas;
- terminada la molienda, apagar la máquina y desconectar la línea de alimentación;
- vaciar el contenedor tolva (Fig. 1-2);
- sacar el botón de mando de ajuste (Fig. 1-3);
- girar el porta fresas superior (Fig. 4-1) en sentido contrario a las agujas del reloj hasta que salga completamente del cabezal;
- destornillar los tornillos (Fig. 4-2) y desmontar las fresas (Fig. 4-3) del soporte porta fresas;
- limpiar cuidadosamente las superficies de apoyo de las fresas, la rosca del porta fresas y el alojamiento;
- colocar las fresas nuevas en sus soportes respectivos y bloquearlos firmemente;
- volver a montar todo procediendo en sentido inverso;
- realizar el ajuste de las fresas nuevas.

9.2. Ajuste de las fresas

A efectuar después de la sustitución de las fresas

Mantener pulsado el botón cierra anillo (Fig. 2-1) y simultáneamente girar lentamente el botón de mando (Fig. 2-3) en el sentido contrario a las agujas del reloj hasta que las fresas rocen, girar el anillo numerado (Fig. 2-2) hasta alcanzar el punto de puesta a cero, luego desplazar el anillo numerado de modo que el 0 esté en posición frontal; luego desplazar el botón de mando (Fig. 2-3) en el sentido opuesto (de las agujas del reloj).

KRYO 65 OD

Molino de café On Demand

1. DESCRIPCIÓN

KRYO 65 OD

Molino de café automático On Demand

Leyenda (Fig. 1b)

1. Tapa de la tolva
2. Tolva de granos
3. Botón de regulación
4. Cierre de la tolva
5. Tapa protectora
6. Botón del soporte de portafiltro
7. Boca de salida del café
8. Conjunto de horquilla
9. Interruptor
10. Bandeja recoge polvo
11. Pantalla
12. Botón para dosis individual
13. Botón para dosis doble
14. Botón para dosis personalizada

2. FUNCIONAMIENTO

La tolva de granos de la KRYO 65 está equipada con un sistema de cierre (Fig. 5), que deberá estar cerrado durante el funcionamiento. El sistema de cierre está marcado en el exterior de la tolva de granos. Cuando la ranura está en dirección de la marca, se puede retirar o montar la tolva de granos. Para bloquear la tolva de granos se deberá girar la ranura hacia la izquierda.

Pulsar el interruptor general (Fig. 1-9). La molienda puede hacerse con dos modos.

Tanto los modos como la activación están configurados en el software, pudiendo ser modificados por el usuario de ser necesario.

No volver a moler el café ya molido.

2.1. Modo automático

En el "Modo automático" el molino continúa moliendo hasta que se haya suministrado la dosis programada previamente. Si se para la molienda durante el suministro, la dosis se anula.

Activación mediante el soporte de filtro:

- Seleccione la dosis de café requerida: dosis individual, doble o personalizada (Fig. 1b-12 a 14). La LED de la dosis seleccionada se ilumina. El botón para la dosis personalizada no tiene LED. La dosis seleccionada se mostrará asimismo en la pantalla.
- Coloque el soporte de filtro en la horquilla (Fig. 1-8) y pulse una vez el botón del soporte de filtro (Fig. 1b-6).
- El molino funciona durante el tiempo predefinido y se para automáticamente.
- Para anular antes, pulse el mismo botón del teclado. No se podrá continuar con la molienda.
- Nivele el café contenido en el filtro y prénselo con el prensa café.
- Eliminar posibles residuos de café molido en el borde del portafiltros.

- Como alternativa, y si se ha ajustado en el menú <Preselección "No">, la dosis puede seleccionarse con el portafiltro.
- Coloque el portafiltro en la horquilla (Fig. 1-8) pulsando el botón del portafiltro (Fig. 1b-6). Pulse una vez el botón del portafiltro para una dosis simple; dos veces, para una dosis doble. La dosis seleccionada se mostrará en la pantalla y la LED del botón de la dosis seleccionada se iluminará. En este modo no se cuenta con dosis personalizada.

- El molino funciona durante el tiempo predefinido y se para automáticamente.
- Para anular antes, pulse un botón. No se podrá continuar con la molienda.
- Nivele el café contenido en el filtro y prénselo con el prensa café.
- Eliminar posibles residuos de café molido en el borde del portafiltros.

Activación mediante teclado:

- Coloque el soporte de filtro en la horquilla (Fig. 1-8).
- Seleccione la dosis de café requerida: dosis individual, doble o personalizada (Fig. 1b-12 a 14). La LED de la dosis seleccionada se ilumina. El botón para la dosis personalizada no tiene LED. La dosis seleccionada se mostrará asimismo en la pantalla.
- El molino funciona durante el tiempo predefinido y se para automáticamente.
- Para anular antes, pulse el mismo botón del teclado. No se podrá continuar con la molienda.
- Nivele el café contenido en el filtro y prénselo con el prensa café.
- Eliminar posibles residuos de café molido en el borde del portafiltros.

2.2. Modo On Demand

En el "Modo On Demand" se puede detener la molienda durante el suministro, y reanudarla.

Activación mediante el soporte de filtro:

- Seleccione la dosis de café requerida: dosis individual, doble o personalizada (Fig. 1b-12 a 14). La LED de la dosis seleccionada se ilumina. El botón para la dosis personalizada no tiene LED. La dosis seleccionada se mostrará asimismo en la pantalla.
- Coloque el soporte de filtro en la horquilla (Fig. 1-8) y presiónelo hacia el botón del soporte de filtro (Fig. 1b-6).
- El molino funciona durante el tiempo predefinido y se para automáticamente.
- Para detener la molienda antes de que finalice el suministro, suelte el botón del soporte del portafiltro; reactive el suministro pulsando y manteniendo pulsado el botón del soporte de portafiltro.
- Para anular antes de que finalice el suministro, suelte el botón del soporte de portafiltro; a continuación, pulse cualquier botón del teclado.
- Nivele el café contenido en el filtro y prénselo con el prensa café.
- Eliminar posibles residuos de café molido en el borde del portafiltros.

Activación mediante teclado:

- Coloque el portafiltro en la horquilla (Fig. 1-8).
- Seleccione la dosis de café requerida: dosis individual, doble o personalizada (Fig. 1b-12 a 14). El LED de la dosis seleccionada se ilumina. El botón para la dosis personalizada no tiene LED. La dosis seleccionada se mostrará asimismo en la pantalla.
- El molino funciona durante el tiempo predefinido y se para automáticamente.
- Para interrumpir antes de que finalice la molienda, pulse el mismo botón del teclado. Se puede continuar con la molienda volviendo a pulsar el mismo botón. La molienda se puede parar con cualquier otro botón y no se puede reanudar.
- Nivele el café contenido en el filtro y prénselo con el prensa café.
- Eliminar posibles residuos de café molido en el borde del portafiltro.

2.3. Dosis personalizada

Si la dosis personalizada está en 0.0, se puede utilizar el botón como botón continuo que está limitado a 10 segundos. Si se necesitan más de 10 segundos, habrá que mantener pulsado el botón continuo hasta que el texto de la primera línea de la pantalla cambie y el molino de café funcione durante 300 segundos.

Para finalizar la molienda habrá que activar nuevamente el botón continuo.

3. MANTENIMIENTO

Las operaciones de mantenimiento se realizarán con la máquina parada y la clavija de la alimentación eléctrica desconectada.

Recomendamos detergentes que vendemos nosotros mismos

Para la limpieza no utilizar instrumentos metálicos o abrasivos, como estropajos o cepillos metálicos, agujas, etc., ni detergentes (alcohol, etc.), sino utilizar un paño o una esponja húmedos.

3.1. Diario

- Limpiar el cuerpo y él recoge polvo del café molido.
- Limpiar la zona dosificadora situada debajo del contenedor de café.
- Limpiar la boca de salida del café con un cepillo.

3.2. Periódico o después de un uso intenso

Vacíe la tolva de granos y, para eliminar los residuos de grasa del café, límpiela con una solución jabonosa suave. Enjuagar bien!

Los materiales de desecho utilizados para la elaboración y mantenimiento, si no son biodegradables o están contaminados, deberán depositarse en contenedores separados y entregados en los centros de recogida de residuos apropiados.

3.3. Sustitución de las fresas

KRYO 65 OD dispone de un contador integrado que informa al usuario, una vez que se ha molido la cantidad predefinida de café, que las fresas deben sustituirse.

Esta alerta puede ser activada por el técnico de mantenimiento durante la puesta en marcha. Nosotros recomendamos la activación del aviso.

La sustitución de las fresas deberá ser realizada únicamente por un técnico de mantenimiento cualificado.

Le rogamos que se ponga en contacto su Servicio de Asistencia Técnica.

4. PROBLEMAS Y SOLUCIONES

Operaciones de control a ejecutar por el usuario

Para cualquier otro tipo de anomalía o inconveniente no especificado, desconectar la clavija de la corriente, abstenerse de realizar reparaciones o verificaciones directamente y dirigirse al servicio de asistencia técnica cualificado.

A) La máquina no se enciende:

- Controlar si la clavija está conectada;
- controlar que haya corriente en la red y que el interruptor diferencial o el interruptor general esté conectado;
- controlar las condiciones de la clavija y del cable de alimentación; si están dañados, encargue su sustitución a personal cualificado.

B) No muele café:

- Controlar que haya café en grano en la tolva;

- controlar que la palanca de cierre de la tolva esté abierta (la palanca hacia adentro).

C) Molienda a intervalos largos:

- Controlar el ajuste de la molienda;
- encargar la sustitución de las fresas a personal cualificado.

5. DATOS TÉCNICOS

Versione		KRYO 65 OD
Dimensiones de la máquina	mm	L.220 - P.356 - H.575
Peso neto de la máquina	kg	13
Producción	g/s	3.5
Capacidad Tolva de granos	g	1300

Esquema de identificación de los datos de la placa (Fig. 3)

1. Fabricante
2. Modelo y versión
3. Tensión
4. Marca de conformidad CE
5. Número de serie
6. Pin
7. Absorción total
8. --
9. --
10. --
11. Frecuencia
12. Marcas de conformidad
13. Fecha de fabricación

6. INSTALACIÓN

La instalación deberá ser efectuada por un técnico cualificado.

La máquina se entrega lista para su instalación según los datos de la placa, fig. 3.

Comprobar que la línea eléctrica tenga las mismas características que la máquina.

Controlar que la máquina, los accesorios, el cable de alimentación y la clavija estén intactos y, en caso de daños, avisar al distribuidor de inmediato.

Las máquinas han sido diseñadas y fabricadas para la molienda de café en grano para uso profesional.

Toda otra utilización se considerará impropia y, por lo tanto, peligrosa.

7. PUESTA EN MARCHA

7.1. Descripción de los mandos

Interruptor principal (Fig. 1-9) con dos posiciones; cuando está encendido, la máquina está lista para moler café.

7.2. Primera puesta en marcha

KRYO 65 OD cuenta con un menú de puesta en marcha para seleccionar las preferencias personales del usuario, cuando se conecta por primera vez. El usuario deberá seleccionar el idioma, el modo, y la manera de activar la molienda. Después de seleccionar las preferencias, la pantalla mostrará el mensaje "Realice la calibración". La calibración deberá realizarse según el procedimiento mostrado en la estructura del software bajo Contador/Fresas/Calibración.

Este mensaje aparecerá después de cada preparación hasta que se haya realizado la calibración.

7.3. Ajuste de la molienda

El molinillo de café viene comprobado de fábrica con un ajuste de molienda intermedia. Pero depende del tipo de café utilizado.

- Introducir en la tolva una pequeña cantidad de café en grano y cerrar la tapa;
- controlar que la tolva esté abierta (la palanca (Fig. 1-4) hacia adentro);
- Posicione el portafiltro en la horquilla (Fig. 1-8) y muele el café;
- Prepare algo de café, controlando el tiempo de suministro, el aspecto del café y su sabor, teniendo en cuenta que una molienda demasiado gruesa produce un café de color claro sin crema, mientras que un café molido demasiado fino da como resultado un café fuerte, oscuro y sin crema.
- Si el café no cumple con los requisitos deseados, ajustar la molienda pulsando el botón (Fig. 2-1) y girando el anillo (Fig. 2-3) en el sentido contrario a las agujas del reloj para moliendas más finas, o en el sentido de las agujas del reloj para moliendas más gruesas.
- Repetir la operación hasta obtener la cantidad de café deseada.

Por lo general, la recalibración de la molienda solo es necesaria si se cambia de café. Podría ser necesario realizar algunos ajustes menores durante el empleo, para adaptarse a cambios en la frescura de los granos.

8. PUESTA FUERA DE SERVICIO

8.1. Temporal

- Cerrar el contenedor tolva y moler el café en grano que ha quedado entre las fresas;
- apagar el interruptor y desconectar la clavija de la alimentación eléctrica;
- Vaciar el café molido y retirar el café en grano que haya quedado eventualmente en el contenedor tolva;
- efectuar las operaciones de limpieza y mantenimiento;
- enrollar el cable eléctrico y fijarlo a la máquina con una cinta adhesiva;
- cubrir la máquina y colocarla en un entorno seco, al abrigo de la intemperie y de acceso exclusivo.

8.2. Definitiva

Además de las operaciones de la puesta fuera de servicio temporal, proceda a:

- cortar el cable de la alimentación
- empaquetar la máquina con cartón u otro material y enviarla al personal encargado (eliminación de residuos autorizada o retiro de la máquina usada).

9. INFORMACIÓN PARA EL SERVICIO DE ASISTENCIA

9.1. Sustitución de las fresas

A pesar de que las fresas están fabricadas en acero templado, están sujetos a desgaste.

Su vida útil está influenciada por la cantidad de café molido en una punta temporal, por su dureza y grado de torrefacción, así como por la cantidad de posibles impurezas de las mezclas del café en grano.

Piedrecillas e impurezas diversas ejercen una fuerte acción abrasiva que reduce notablemente la vida útil de las fresas.

Cuando el tiempo de la molienda se prolonga notablemente o la molienda se vuelve irregular, habrá que proceder a sustituir las fresas actuando del modo siguiente:

- Tirar de la palanca de cierre de tolva (Fig. 1-4);

- poner en marcha el molinillo dosificador para moler el café que ha quedado entre las fresas;
- terminada la molienda, apagar la máquina y desconectar la línea de alimentación;
- vaciar el contenedor tolva (Fig. 1-2);
- sacar el botón de mando de ajuste (Fig. 1-3);
- girar el porta fresas superior (Fig. 4-1) en sentido contrario a las agujas del reloj hasta que salga completamente del cabezal;
- destornillar los tornillos (Fig. 4-2) y desmontar las fresas (Fig. 4-3) del soporte porta fresas;
- limpiar cuidadosamente las superficies de apoyo de las fresas, la rosca del porta fresas y el alojamiento;
- colocar las fresas nuevas en sus soportes respectivos y bloquearlos firmemente;
- volver a montar todo procediendo en sentido inverso;
- realizar el ajuste de las fresas nuevas.

9.2. Ajuste de las fresas

A efectuar después de la sustitución de las fresas

Retire la tapa protectora (Fig. 1b-5), mantener pulsado el botón cierra anillo (Fig. 2-1) y simultáneamente girar lentamente el botón de mando (Fig. 2-3) en el sentido contrario a las agujas del reloj hasta que las fresas rocen, girar el anillo numerado (Fig. 2-2) hasta alcanzar el punto de puesta a cero, luego desplazar el anillo numerado de modo que el 0 esté en posición frontal; luego desplazar el botón de mando (Fig. 2-3) en el sentido opuesto (de las agujas del reloj) llevándolo a la posición numerada 10.

9.3. Menú del técnico

Deberá utilizarlo un técnico cualificado.

Se accede al menú del técnico apagando el molino. Encienda el interruptor principal (Fig. 1-9) pulsando el botón de confirmación.

10. SOFTWARE

KRYO 65 OD cuenta con tres menús para su manejo.

10.1. Empleo de los botones

Para configurar el molino KRYO 65 OD los botones de las dosis se utilizan con una función adicional.

El botón para la dosis individual (Fig. 1b-12) se utiliza como el botón "-"; el botón para la dosis doble (Fig. 1b-13), como el botón "+"; y ambos botones, para navegar por el menú. El botón para la dosis personalizada (Fig. 1b-14) se utiliza como botón de confirmación o de ESC, dependiendo del menú al que se ha ingresado.

10.2. Menú para la dosificación

En el menú para la dosificación, la cantidad de café suministrada por un botón puede modificarse.

- Pulse el botón seleccionado durante 3 segundos
- Modifique el valor del botón en cuestión
- Confirme la modificación con el botón de confirmación

10.3. Menú del barista

El "Menú del barista" puede abrirse pulsando el botón de confirmación (Fig. 1-14) durante 5 segundos.

Encontrará más información en el árbol del software de abajo.

10.4. Menú del técnico

El técnico de mantenimiento es la única persona que tendrá acceso a los parámetros con fondo gris.

El acceso a este menú está descrito en otro capítulo del manual.

Software

Dosificación	Individual	Tiempo para moler la dosis individual en segundos		
	Doble	Tiempo para moler la dosis doble en segundos		
	Personalizada	Tiempo para moler la dosis personalizada en segundos		
	ESC	Salir del menú		
Modo	Automático	Ajusta el molino en el modo "automático", no se puede detener la molienda durante el suministro		
	On Demand	Ajusta el molino en el modo "On Demand", se puede detener la molienda durante el suministro.		
	ESC	Salir del menú		
Iniciar dosis	Teclado	La molienda se pondrá en marcha pulsando el botón requerido.		
	Portafiltro	La molienda se pondrá en marcha mediante el portafiltro cuando se pulse el botón del soporte de portafiltro.		
	Preselección	La preselección solo está disponible en el modo automático. Con "sí" la selección de la dosis se realiza mediante el teclado; "No" significa que la selección de la dosis se realiza pulsando el botón del portafiltro. Para una dosis simple se pulsa el botón del portafiltro una vez; para una dosis doble, dos veces. La dosis personalizada no está disponible en la preselección.		
	ESC	Salir del menú		
Idioma	English, Español ...	Seleccione el idioma: Italiano, English, Deutsch, Français, Español o Português y confirme.		
	ESC	Salir del menú		
Contadores	Totales	Individual	Muestra el número total de dosis individuales preparadas. No es reiniciable.	
		Doble	Muestra el número total de dosis dobles preparadas. No es reiniciable.	
		Personalizada	Muestra el número total de dosis personalizadas preparadas. No es reiniciable.	
		ESC	Salir del menú	
	Contador	Individual	Muestra el número de dosis individuales preparadas desde la última reinicialización.	
		Doble	Muestra el número de dosis dobles preparadas desde la última reinicialización.	
		Personalizada	Muestra el número de dosis personalizadas preparadas desde la última reinicialización.	
		Reinicialización	Reinicializa todos los contadores de dosis.	
	Fresas	Calibración		El ajuste del molino se efectúa mediante este submenú y comienza después de la confirmación. Cuando el grado de molienda del café sea el adecuado, se realizará el ajuste.
			Molienda	Empieza a moler café por un tiempo definido. El café tiene que pesarse. Tome tres pruebas y calcule la media.
		Peso	La cantidad del café pesado deberá ajustarse aquí y confirmarse.	
		Alarma	La cantidad de café en kg cuando las fresas deben sustituirse. En "0" la alarma está desactivada.	
		Contador	Muestra la cantidad de café molido en kg.	
Reinicialización	Reinicializa todos los contadores de dosis.			
ESC	Salir del menú			
ESC	Salir del menú			
ESC	Salir del menú			

PORTUGUES

KRYO 65/ST

KRYO 65/AT

Máquina para moagem e dosagem de café

1. DESCRIÇÃO

KRYO 65/ST

Máquina para moagem de café com acendimento e desligamento no modo manual;

KRYO 65/AT

Máquina para moagem de café com funcionamento no modo automático e possível acendimento e desligamento no modo manual.

Legenda (Fig. 1a)

1. Tampa da tremonha
2. Tremonha de grão
3. Manípulo
4. Fecho da tremonha
5. Tampa do doseador
6. Doseador
7. Pressionador
8. Módulo de apoio
9. Interruptor
10. Colher de recolha de pó
11. Alavanca
12. Manípulo do doseador

2. FUNCIONAMENTO

O depósito de grãos do KRYO 65 está equipado com um dispositivo de bloqueio (Fig. 5), que deverá estar fechado durante o funcionamento.

O bloqueio está marcado na parte exterior do depósito de grãos. Quando a ranhura do bloqueio apontar para a marca, poderá retirar ou montar o depósito de grãos. Para bloquear o depósito de grãos, rodar a ranhura para a esquerda.

KRYO 65/ST

Moer o café quando necessário acionando o interruptor geral (Fig. 1-9)

KRYO 65/AT

Premir o interruptor geral (Fig. 1-9) para que a moagem seja efetuada de modo automático.

Aconselha-se a moagem da quantidade de café suficiente para as necessidades iminentes, uma vez que se for deixado demasiado tempo inutilizado, o café moído perde a frescura e o aroma.

Não moer uma segunda vez o café já moído.

- Colocar o porta-filtros no respetivo apoio (Fig. 1-8), puxar a alavanca (Fig. 1a-11) na sua direção com um movimento decidido e libertá-la em seguida, repetindo a operação uma ou mais vezes de acordo com as doses que desejar retirar (cada ação deve corresponder a uma dose).
- Nivelar o café contido no filtro, posicionar o porta-filtros sob o pressionador (Fig. 1a-7) e levantar com moderação para compactar o café;
- Certificar-se de que não existe café moído no bordo do porta-filtros.

3. MANUTENÇÃO

As operações de manutenção são efetuadas com a máquina desligada e com a ficha de alimentação retirada da tomada.

Recomendamos detergentes de limpeza que nos poderá comprar

Para a limpeza, não utilizar instrumentos metálicos ou abrasivos, como esfregões de arame, escovas metálicas, agulhas, etc., e detergentes, (álcool, etc.), mas sim um pano ou uma esponja humedecidos.

3.1. Diária

- Limpar a estrutura e o coletor de pó de café moído.
- Limpar a zona doseadora colocada sob o recipiente de café.
- Limpe a boca de saída de café com uma escova.

3.2. Periódica ou depois de uso intenso

Esvazie a tremonha de grãos e limpe-a de resíduos oleosos de café com uma solução de sabão suave. Enxaguar cuidadosamente!

Os lixos produzidos com o trabalho ou a manutenção, se não forem biodegradáveis ou poluentes, deverão ser colocados em recipientes separados e entregues nos centros de recolha adequados.

4. PROBLEMAS E SOLUÇÕES

4.1. Operações de controlo executáveis pelo utilizador

No caso de qualquer outro tipo de anomalia ou inconveniente não especificado, retirar a ficha da tomada, não efetuar intervenções diretas de reparação ou verificação e contactar o serviço de assistência técnica qualificado.

A) A máquina não liga:

- Verificar se a tomada está introduzida na ficha;
- Verificar se existe corrente na rede e se o fusível ou o interruptor geral estão inseridos;
- Verificar as condições da ficha e do cabo de alimentação e, se estiverem danificados, substituí-los por pessoal qualificado.

B) Não mói café:

- Verificar se existe café em grão no recipiente;
- Verificar se a alavanca de fecho da tremonha está aberta (alavanca para dentro)

C) Moagem com duração longa

- Verificar a regulação da moagem;
- Solicitar a substituição do moinho por pessoal qualificado.

D) As doses não são uniformes:

- Limpar cuidadosamente o reservatório de café moído e a parte inferior (boca de saída de café)
- Verificar se a alavanca doseadora executa completa e livremente o movimento.

5. DADOS TÉCNICOS

Versões		KRYO 65/ST KRYO 65/AT
Dimensões da máquina	mm	L.220 - P.385 - A.575
Peso líquido da máquina	kg	13
Produção	kg/h	7-9
Capacidade do tremonha de grão	g	1300
Regulação de doses	g	5-10

Esquema de identificação dos dados da placa (Fig. 3)

1. Fabricante
2. Modelo e versão
3. Voltagem
4. Marcação de confirmidade CE
5. Número de série
6. Pin

7. Absorção total
8. --
9. --
10. --
11. Frequência
12. Marcações de conformidade
13. Data de fabrico

6. INSTALAÇÃO

A instalação deve ser efetuada por um técnico qualificado.

A máquina é entregue pronta para ser instalada segundo os dados da placa de identificação Fig. 3.

Certificar-se de que o sistema elétrico tem as mesmas características da máquina.

Verificar a integridade da máquina, dos acessórios, do cabo de alimentação e da ficha e, se detetar danos, advertir imediatamente o revendedor.

As máquinas foram projetadas e construídas para moagem de café em grão para uso profissional.

Qualquer outro uso deve ser considerado impróprio e, portanto, perigoso.

7. COLOCAR EM FUNCIONAMENTO

7.1. Descrição dos comandos

KRYO 65/ST

Interruptor geral (Fig. 1-9) e duas posições; premido, introduz-se a ligação elétrica e inicia a moagem de café.

KRYO 65/AT

Interruptor geral (Fig. 1-9) com duas posições; na posição (I), introduz-se a ligação elétrica;

7.2. Regulação da moagem

O moedor de café é testado pelo construtor com uma regulação de moagem intermédia. Por conseguinte, está dependente do tipo de café usado.

- Inserir no recipiente com tremonha uma pequena quantidade de café em grão e fechar a tampa;
- Verificar se a tremonha está aberta (alavanca (Fig. 1-4) para dentro);
- Efetuar a moagem de uma pequena dose de café;
- Posicionar o porta-filtros no apoio (Fig. 1-8), depois acionar a alavanca (Fig. 1a-11) para deitar a dose de café moído;
- Tire algum café, verificando o tempo de dispensação, o aspeto e o gosto do café, tendo em conta que grãos excessivamente grossos produzem um café de cor clara e sem creme, enquanto grãos demasiado finos produzem um café forte, escuro e sem creme.
- Se o café não corresponder aos requisitos desejados, regular a moagem premindo o botão (Fig. 2-1) e rodando o aro (Fig. 2-3) para a esquerda para moagem mais fina ou para a direita para moagem mais grossa.
- Repetir a operação até obter a quantidade de café desejada,

A recalibração do moinho normalmente só é necessária quando se muda de café. Poderão ser necessários pequenos ajustamentos ao longo do uso para responder a alterações na frescura dos grãos.

7.3. Regulação da dose de café moído

As doses podem ser reguladas do seguinte modo:

- Rodar o manípulo (Fig. 1a-12) sob o doseador para a esquerda para aumentar a dose.
- Acionar a alavanca de dosagem (Fig. 1a-11) 6 vezes e de cada vez verificar a dose. Ter cuidado para que a estrela de dosagem esteja completamente coberta com pó de café.

8. RETIRAR DE FUNCIONAMENTO

8.1. Temporário

- Fechar o recipiente da tremonha e moer o café em grão que permaneceu entre as mós;
- Desligar o interruptor e retirar a ficha de alimentação elétrica;
- Retirar o café moído e o eventual café em grão que permaneça no recipiente da tremonha;
- Efetuar as operações de limpeza e de manutenção;
- Enrolar o cabo elétrico e fixá-lo à máquina com fita adesiva;
- Cobrir a máquina e colocá-la num ambiente seco, protegido de intempéries e de acesso exclusivo.

8.2. Definitivo

Além das operações de retirada de serviço temporária, efetuar também o seguinte:

- Cortar o cabo de alimentação,
- Embalar a máquina numa caixa de cartão ou equivalente e entregá-la no ecoponto adequado da sua zona (eliminação de resíduos autorizado ou aproveitamento de usados).

9. INFORMAÇÕES PARA O SERVIÇO DE ASSISTÊNCIA

9.1. Substituição das mós

As mós, embora sejam construídas em aço temperado, estão sujeitas a desgaste.

A sua duração é influenciada pela quantidade de café moído, pela dureza e pelo grau de torrefação, bem como pela quantidade e pureza das embalagens de café em grão.

As pedras e vários tipos de impurezas têm uma forte ação abrasiva que reduz consideravelmente a vida das mós.

Quando o tempo de moagem se prolonga consideravelmente ou a moagem se torna irregular, deve proceder à substituição das mós, efetuando as seguintes operações:

- Puxar a alavanca de fecho da tremonha (Fig. 1-4);
- Deslocar o doseador de moagem para moer o café que ainda está entre as mós;
- Quando a moagem terminar, desligar a máquina e retirar o cabo de alimentação da tomada;
- Esvaziar o recipiente da tremonha (Fig. 1-2);
- Retirar o manípulo de regulação (Fig. 1-3);
- Rodar o suporte das mós superior (Fig. 4-1) para a esquerda até que a cabeça saia completamente;
- Desapertar os parafusos (Fig. 4-2) e desmontar as mós (Fig. 4-3) do suporte de porta mós.
- Limpar cuidadosamente as superfícies de apoio das mós, a filetagem do suporte das mós e o recetáculo;
- Colocar as novas mós nos respetivos suportes e bloqueá-las bem;
- Voltar a colocar tudo procedendo no sentido inverso.
- Efetuar a afinação das novas mós.

9.2. Calibração das mós

A efetuar depois da substituição das mós

Manter premida a tecla de paragem do aro (Fig. 2-1) e, ao mesmo tempo, rodar lentamente o manípulo para a esquerda (Fig. 2-3) até que os moinhos se toquem, rodar o aro numerado (Fig. 2-2) até que chegue ao ponto zero, depois deslocar o aro numerado de modo a que o 0 esteja na posição frontal; deslocar depois o manípulo (Fig. 2-3) no sentido oposto (para a direita).

KRYO 65 OD

Moinho de café a pedido

1. DESCRIÇÃO

KRYO 65 OD

Moinho de café automático a pedido

Legenda (Fig. 1b)

1. Tampa da tremonha
2. Tremonha de grão
3. Manipulo
4. Fecho da tremonha
5. Tampa de proteção
6. Botão do suporte do filtro
7. Boca de saída de café
8. Módulo de apoio
9. Interruptor
10. Colher de recolha de pó
11. Visor
12. Botão de dose individual
13. Botão de dose dupla
14. Botão de dose personalizada

2. FUNCIONAMENTO

O depósito de grãos do KRYO 65 está equipado com um dispositivo de bloqueio (Fig. 5), que deverá estar fechado durante o funcionamento.

O bloqueio está marcado na parte exterior do depósito de grãos. Quando a ranhura do bloqueio apontar para a marca, poderá retirar ou montar o depósito de grãos. Para bloquear o depósito de grãos, rodar a ranhura para a esquerda.

Premir o interruptor geral (Fig. 1-9). A moagem decorrerá em dois modos.

Os modos e a forma de ativar são configurados no software e podem ser alterados pelo utilizador se necessário.

Não moer uma segunda vez o café já moído.

2.1. Modo automático

No "Modo Automático", o moinho continua a moer até que a dose pré-programada tenha sido dispensada. Se a moagem for interrompida durante a dispensação, a dose é cancelada.

Ativação pelo suporte do filtro:

- Selecione a dose de café solicitada - dose individual, dupla ou personalizada (Fig. 1b-12 a 14). O LED do botão de dose selecionado acenderá. O botão de dose personalizada não tem LED. A dose selecionada será também exibida no visor.
- Coloque o suporte do filtro no apoio (Fig. 1-8) e prima o respetivo botão (Fig. 1b-6) uma vez.
- O moinho funciona durante o tempo predeterminado e para automaticamente.
- Para cancelar antes, prima qualquer botão do teclado. A moagem não pode ser continuada.
- Nivele o café contido no filtro e calque o café com o pressionador;
- Certificar-se de que não existe café moído no bordo do porta-filtros.

- Alternativamente e quando isso tiver sido configurado no menu <Pré-seleção "Não">, poderá seleccionar a dose com o porta-filtro.
- Colocar o porta-filtro no apoio (Fig. 1-8) e pressionar a tecla do porta-filtro (Fig. 1b-6). Pressionar a tecla do porta-filtro uma vez para uma dose simples e duas vezes para uma dose

dupla. A dose selecionada será apresentada no visor e o LED correspondente à tecla da dose selecionada acende-se. Neste modo não existe uma dose específica.

- O moinho funciona durante o tempo predeterminado e para automaticamente.
- Para uma interrupção antecipada, pressionar uma tecla. O processo de moagem não pode ser prosseguido.
- Nivele o café contido no filtro e calque o café com o pressionador;
- Certificar-se de que não existe café moído no bordo do porta-filtros.

Ativação pelo teclado:

- Coloque o suporte do filtro no apoio (Fig. 1-8)
- Selecione a dose de café solicitada - dose individual, dupla ou personalizada (Fig. 1b-12 a 14). O LED da dose selecionada acenderá. O botão de dose personalizada não tem LED. A dose selecionada será também exibida no visor.
- O moinho funciona durante o tempo predeterminado e para automaticamente.
- Para cancelar antes, prima qualquer botão do teclado. A moagem não pode ser continuada.
- Nivele o café contido no filtro e calque o café com o pressionador;
- Certificar-se de que não existe café moído no bordo do porta-filtros.

2.2. Modo a Pedido

No "Modo a Pedido", a moagem pode ser interrompida durante a dispensação e reiniciada.

Ativação pelo suporte do filtro:

- Selecione a dose de café solicitada - dose individual, dupla ou personalizada (Fig. 1b-12 a 14). O LED do botão de dose selecionado acenderá. O botão de dose personalizada não tem LED. A dose selecionada será também exibida no visor.
- Coloque o suporte do filtro no apoio (Fig. 1-8) e pressione-o contra o respetivo botão (Fig. 1b-6).
- O moinho funciona durante o tempo predeterminado e para automaticamente.
- Para fazer uma pausa na moagem antes da dispensação ter terminado, liberte o botão do suporte do filtro e reative a dispensação premindo e mantendo o botão do suporte do filtro.
- Para cancelar antes de terminar a dispensação, liberte o botão do suporte do filtro e prima qualquer botão no teclado.
- Nivele o café contido no filtro e calque o café com o pressionador;
- Certificar-se de que não existe café moído no bordo do porta-filtros.

Ativação pelo teclado:

- Coloque o suporte do filtro no apoio (Fig. 1-8)
- Selecione a dose de café solicitada - dose individual, dupla ou personalizada (Fig. 1b-12 a 14). O LED da dose selecionada acenderá. O botão de dose personalizada não tem LED. A dose selecionada será também exibida no visor.
- O moinho funciona durante o tempo predeterminado e para automaticamente.
- Para interromper antes de terminar a moagem, prima o mesmo botão no teclado. A moagem pode ser continuada premindo-se o mesmo botão novamente. A moagem parará com qualquer outro botão e não poderá ser continuada.
- Nivele o café contido no filtro e calque o café com o pressionador;
- Certificar-se de que não existe café moído no bordo do porta-filtros.

2.3. Dose específica do cliente

Se a dose específica do cliente estiver definida em 0.0, poderá utilizar a tecla como botão de duração, a qual está limitada a 10 seg. Se for necessária uma duração superior a 10 seg., terá de manter o botão de duração pressionado durante os 10 seg. até o texto na primeira linha do visor se alterar e o moinho funcionar durante 300 seg.

Para concluir a moagem terá de premir novamente o botão de duração.

3. MANUTENÇÃO

As operações de manutenção são efetuadas com a máquina desligada e com a ficha de alimentação retirada da tomada.

Recomendamos detergentes de limpeza que nos poderá comprar

Para a limpeza, não utilizar instrumentos metálicos ou abrasivos, como esfregões de arame, escovas metálicas, agulhas, etc., e detergentes, (álcool, etc.), mas sim um pano ou uma esponja humedecidos.

3.1. Diária

- Limpar a estrutura e o coletor de pó de café moído.
- Limpar a zona doseadora colocada sob o recipiente de café.
- Limpe a boca de saída de café com uma escova.

3.2. Periódica ou depois de uso intenso

Esvaeze a tremonha de grãos e limpe-a de resíduos oleosos de café com uma solução de sabão suave. Enxaguar cuidadosamente!

Os lixos produzidos com o trabalho ou a manutenção, se não forem biodegradáveis ou poluentes, deverão ser colocados em recipientes separados e entregues nos centros de recolha adequados.

3.3. Substituição das Mós

O KRYO 65 OD dispõe de um contador integrado que informa o utilizador quando a quantidade de café predefinida estiver moída e de que as mós têm de ser substituídas.

Este alerta pode ser ativado pelo técnico de assistência durante a entrega. Recomendamos a ativação do alarme.

A substituição das mós só pode ser feita por um técnico de assistência qualificado.

Entre em contacto com a sua organização de vendas local.

4. PROBLEMAS E SOLUÇÕES

Operações de controlo executáveis pelo utilizador

No caso de qualquer outro tipo de anomalia ou inconveniente não especificado, retirar a ficha da tomada, não efetuar intervenções diretas de reparação ou verificação e contactar o serviço de assistência técnica qualificado.

A) A máquina não liga:

- Verificar se a tomada está introduzida na ficha;
- Verificar se existe corrente na rede e se o fusível ou o interruptor geral estão inseridos;
- Verificar as condições da ficha e do cabo de alimentação e, se estiverem danificados, substituí-los por pessoal qualificado.

B) Não mói café:

- Verificar se existe café em grão no recipiente;
- Verificar se a alavanca de fecho da tremonha está aberta (alavanca para dentro)

C) Moagem com duração longa

- Verificar a regulação da moagem;
- Solicitar a substituição do moinho por pessoal qualificado.

5. DADOS TÉCNICOS

Versões		KRYO 65 OD
Dimensões da máquina	mm	L.220 - P.356 - A.575
Peso líquido da máquina	kg	13
Produção	g/s	3.5
Capacidade do tremonha de grão	g	1300

Esquema de identificação dos dados da placa (Fig. 3)

1. Fabricante
2. Modelo e versão
3. Voltagem
4. Marcação de conformidade CE
5. Número de série
6. Pin
7. Absorção total
8. --
9. --
10. --
11. Frequência
12. Marcação de conformidade
13. Data de fabrico

6. INSTALAÇÃO

A instalação deve ser efetuada por um técnico qualificado.

A máquina é entregue pronta para ser instalada segundo os dados da placa de identificação Fig. 3.

Certificar-se de que o sistema elétrico tem as mesmas características da máquina.

Verificar a integridade da máquina, dos acessórios, do cabo de alimentação e da ficha e, se detetar danos, advertir imediatamente o revendedor.

As máquinas foram projetadas e construídas para moagem de café em grão para uso profissional.

Qualquer outro uso deve ser considerado impróprio e, portanto, perigoso.

7. COLOCAR EM FUNCIONAMENTO

7.1. Descrição dos comandos

Interruptor principal (Fig. 1-9) com duas posições; quando ligado, a máquina está pronta a moer café.

7.2. Primeira utilização

O KRYO 65 OD dispõe de um menu de arranque para selecionar as preferências pessoais do operador quando o liga pela primeira vez. O operador pode escolher o idioma, o modo e a forma e a pré-seleção para ativar a moagem. Depois de escolher as preferências, o visor apresentará a mensagem "Efetuar a calibração". A calibração tem de ser efetuada através do procedimento apresentado no esquema do software, em Contador/Mós/Calibração.

Esta mensagem será apresentada em cada preparação até que a calibração seja efetuada.

7.3. Regulação da moagem

O moinho de café é testado pelo construtor com uma regulação de moagem intermédia. Por conseguinte, está dependente do tipo de café usado.

- Inserir no recipiente com tremonha uma pequena quantidade de café em grão e fechar a tampa;

- Verificar se a tremonha está aberta (alavanca (Fig. 1-4) para dentro);
- Efetuar a moagem de uma pequena dose de café;
- Coloque o suporte do filtro no apoio (Fig. 1-8) e proceda à moagem de café;
- Tire algum café, verificando o tempo de dispensação, o aspeto e o gosto do café, tendo em conta que grãos excessivamente grossos produzem um café de cor clara e sem creme, enquanto grãos demasiado finos produzem um café forte, escuro e sem creme.
- Se o café não corresponder aos requisitos desejados, regular a moagem premindo o botão (Fig. 2-1) e rodando o aro (Fig. 2-3) para a esquerda para moagem mais fina ou para a direita para moagem mais grossa.
- Repetir a operação até obter a quantidade de café desejada,

A recalibração do moinho normalmente só é necessária quando se muda de café. Poderão ser necessários pequenos ajustamentos ao longo do uso para responder a alterações na frescura dos grãos.

8. RETIRAR DE FUNCIONAMENTO

8.1. Temporário

- Fechar o recipiente da tremonha e moer o café em grão que permaneceu entre as mós;
- Desligar o interruptor e retirar a ficha de alimentação elétrica;
- Retirar o café moído e o eventual café em grão que permaneça no recipiente da tremonha;
- Efetuar as operações de limpeza e de manutenção;
- Enrolar o cabo elétrico e fixá-lo à máquina com fita adesiva;
- Cobrir a máquina e colocá-la num ambiente seco, protegido de intempéries e de acesso exclusivo.

8.2. Definitivo

Além das operações de retirada de serviço temporária, efetuar também o seguinte:

- Cortar o cabo de alimentação,
- Embalar a máquina numa caixa de cartão ou equivalente e entregá-la no ecoponto adequado da sua zona (eliminação de resíduos autorizado ou aproveitamento de usados).

9. INFORMAÇÕES PARA O SERVIÇO DE ASSISTÊNCIA

9.1. Substituição das mós

As mós, embora sejam construídas em aço temperado, estão sujeitas a desgaste.

A sua duração é influenciada pela quantidade de café moído, pela dureza e pelo grau de torrefação, bem como pela quantidade e pureza das embalagens de café em grão.

As pedras e vários tipos de impurezas têm uma forte ação abrasiva que reduz consideravelmente a vida das mós.

Quando o tempo de moagem se prolonga consideravelmente ou a moagem se torna irregular, deve proceder à substituição das mós, efetuando as seguintes operações:

- Puxar a alavanca de fecho da tremonha (Fig. 1-4);
- Deslocar o doseador de moagem para moer o café que ainda está entre as mós;
- Quando a moagem terminar, desligar a máquina e retirar o cabo de alimentação da tomada;
- Esvaziar o recipiente da tremonha (Fig. 1-2);
- Retirar o manipulador de regulação (Fig. 1-3);
- Rodar o suporte das mós superior (Fig. 4-1) para a esquerda até que a cabeça saia completamente;
- Desapertar os parafusos (Fig. 4-2) e desmontar as mós (Fig. 4-3) do suporte de porta mós.

- Limpar cuidadosamente as superfícies de apoio das mós, a filetagem do suporte das mós e o recetáculo;
- Colocar as novas mós nos respetivos suportes e bloqueá-las bem;
- Voltar a colocar tudo procedendo no sentido inverso.
- Efetuar a afinação das novas mós.

9.2. Calibração das mós

A efetuar depois da substituição das mós

Retirar a tampa de proteção (Fig. 1-5), manter premida a tecla de paragem do aro (Fig. 2-1) e, ao mesmo tempo, rodar lentamente o manipulador para a esquerda (Fig. 2-3) até que os mós se toquem, rodar o aro numerado (Fig. 2-2) até que chegue ao ponto zero, depois deslocar o aro numerado de modo a que o 0 esteja na posição frontal; deslocar depois o manipulador (Fig. 2-3) no sentido oposto (para a direita) colocando-o na posição numerada com 10;

9.3 Menu para técnicos

Tem de ser efetuado por um técnico qualificado.

O acesso ao menu para técnicos é feito desligando-se o moinho. Ligar o interruptor principal (Fig. 1-9) enquanto prime o botão de confirmação.

10. SOFTWARE

O KRYO 65 OD dispõe de três menus de operação.

10.1 Utilização de botões

Para configurar o KRYO 65 OD serão usados os botões de dose com uma função adicional.

O botão de dose individual (Fig. 1-12) será usado como botão de “-”; o botão de dose dupla (Fig. 1-13) como botão de “+” e ambos para navegar pelo menu. O botão de dose personalizada (Fig. 1-14) é usado como confirmação ou ESC, dependendo do menu que foi acedido.

10.2 Menu de dosagem

No menu de dosagem, a quantidade de café dispensada por um botão pode ser alterada.

- Prima o botão selecionado durante 3 segundos
- Altere o valor do botão específico
- Confirme a alteração com o botão de confirmação

10.3 Menu de empregado

O “Menu de Empregado” pode ser aberto premindo-se o botão de confirmação (Fig. 1-14) durante 5 segundos.

Qualquer informação adicional é fornecida no esquema de software abaixo.

10.4 Menu para técnicos

Os parâmetros com fundo cinzento só estão acessíveis para o técnico de assistência

O acesso a este menu é fornecido noutra capítulo do manual.

Software

Dosagem	Individual	Tempo para moer a dose individual em segundos	
	Dupla	Tempo para moer a dose dupla em segundos	
	Personalizada	Tempo para moer a dose personalizada em segundos	
	ESC	Sair do menu	
Modo	Automático	Define o moinho para o modo "Automático"; a moagem não pode ser suspensa durante a dispensação	
	A Pedido	Define o moinho para o modo "A Pedido"; a moagem pode ser suspensa durante a dispensação	
	ESC	Sair do menu	
Dose inicial	Teclado	Inicia-se a moagem premindo-se o botão solicitado	
	Suporte do filtro	Inicia-se a moagem será pelo suporte do filtro tocando-se no botão do suporte do filtro.	
	Pré-seleção	<p>A pré-seleção só está disponível no modo automático.</p> <p>"Sim" a dimensão da dose será selecionada no teclado;</p> <p>"Não" a dimensão da dose será selecionada pressionando a tecla do porta-filtro. Para uma dose simples pressionar a tecla do porta-filtro uma vez e pressionar duas vezes para uma dose dupla.</p> <p>A dose específica do cliente não está disponível em caso de pré-seleção.</p>	
	ESC	Sair do menu	
Idioma	English, Deutsch ...	Selecione o idioma - Italiano, English, Deutsch, Français, Español ou Português e confirme	
	ESC	Sair do menu	
Contadores	Total	Individual	Exibe o número total de doses individuais preparadas. Não pode ser reiniciado
		Dupla	Exibe o número total de doses duplas preparadas. Não pode ser reiniciado
		Personalizada	Exibe o número total de doses personalizadas preparadas. Não pode ser reiniciado
		ESC	Sair do menu
	Contador	Individual	Exibe o número de doses individuais preparadas desde o último reinício
Dupla		Exibe o número de doses duplas preparadas desde o último reinício	
Personalizada		Exibe o número de doses personalizadas preparadas desde o último reinício	
Reiniciar		Reiniciar todos os contadores	
Mós	Calibração	Moagem	O ajuste do moinho é efetuado através deste submenu. A calibragem só será realizada quando o grau de moagem do café for o correto.
		Peso	Começar por moer café durante um tempo definido. Pesar o café. Retirar três amostras e calcular a média.
			A quantidade de café pesado será ajustada e confirmado neste momento
	Alarme	Quantidade de café em quilogramas até que as mós tenham de ser substituídas. Com "0" o alarme é desativado	
	Contador	Mostra a quantidade de café moído em quilogramas	
	Reiniciar	Reinicia o contador das mós	
	ESC	Sair do menu	
ESC	Sair do menu		
ESC	Sair do menu		

Contacts

Ansprechpartner

Contacts

Contatti

Contactos

Contactos

Headquarters, Production Plant and R&D Centers

Rancilio Group S.p.A.

con socio unico

Viale della Repubblica 40
20015 Villastanza di Parabiago (MI) - Italy
Ph. +39 0331 408200
Fax +39 0331 551437
info@ranciliogroup.com

Egro Suisse AG

Bahnhofstrasse 66
5605 Dottikon - Switzerland
Ph. +41 (0)56 616 95 95
Fax +41 (0)56 616 95 97
info-ch@ranciliogroup.com

Worldwide Branch Locations

Spain

Rancilio Group Espana, SAU
C/Artes gráficas 1, 20A
Pl Las Arenas
28320 Pinto, Madrid - Spain

Centro de negocios de Barcelona
Gran Vía de Carlos III, 84 3ª - Edificio Trade
08028 Barcelona - Spain
Ph. +34 914 682 061
info-es@ranciliogroup.com

Portugal

Rancilio Group Portugal Lda
Rua José Vicente Gonçalves nº14-Armaz.-2
Parque Industrial do Seixal
2840-048 Aldeia de Paio Pires-Seixal
Lisboa - Portugal
Ph. +351 21 493 52 58

Rancilio Group Portugal Lda
Rua Albino José Domingues nº683
4470-557 Maia
Porto - Portugal
Ph. + 351 22 490 39 77
info-pt@ranciliogroup.com

Germany

Rancilio Group Deutschland GmbH
Isenburg Park
Schleussnerstrasse 90
63263 Neu-Isenburg - Germany
Ph. +49 6102 79 90 30
Fax +49 6102 79 90 320
info-de@ranciliogroup.com

Switzerland

Egro Suisse AG
Bahnhofstrasse 66
5605 Dottikon - Switzerland
Ph. +41 (0)56 616 95 95
Fax +41 (0)56 616 95 97
info-ch@ranciliogroup.com

USA / Canada

Rancilio Group North America Inc.
11130 Katherine's Crossing Suite 800
Woodridge, IL 60517 - U.S.A.
Ph. +1 630 914 7900
Fax +1 630 914 7901
Toll Free: +1 877 726 2454
info@ranciliogroupna.com



www.ranciliogroup.com



facebook.com/RancilioGroup



[Rancilio Group Channel](#)