



Washdown Stations

MV-0771-12N-BVT

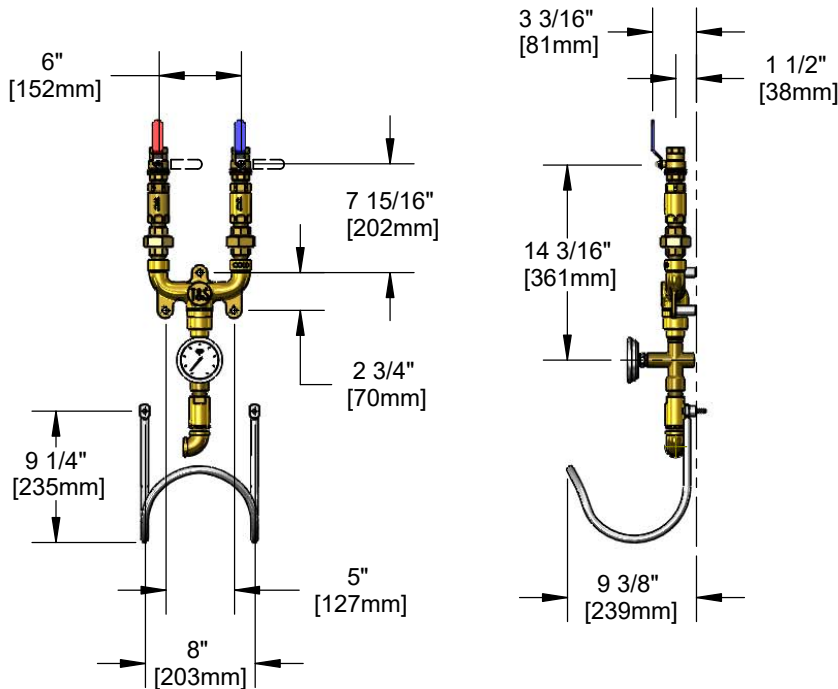
TAG:

Mixing Valve

Architect/Engineering Specifications:

Washdown station w/ 3/4" brass mixing valve, ball valves, check valves, thermometer, hose swivel & hose rack.

Job Name _____
 Model Specified _____ Quantity _____
 Variations Specified _____
 Date _____



Features & Benefits:

- 3/4" globe valves w/ color coded handles
- 3/4" check valves to prevent cross flow of water
- Brass thermometer tee
- Stainless steel thermometer, temperature range 0°F - 200°F
- 3/4" hose swivel
- Stainless steel hose rack w/ mounting hardware
- Material: Brass tee, stainless steel thermometer

Product Compliance:

- NSF 61 Exempt (Non-Potable)

Warranty: One Year (Limited)

Performance Data:

- Pressure: 20 - 125 psi
- Temperature: 40°F - 200°F
- Flow Rate: 49.93 GPM @ 60 psi

(Outlet Device &/or Final Configuration May Reduce Flow Rate)



T&S BRASS AND BRONZE WORKS, INC.



• 2 Saddleback Cove • Travelers Rest, SC 29690
 Ph 800-476-4103 • Fax 864-834-3518
 • Simi Valley, CA • Ph 800-423-0150 • www.tsbrass.com

Date: 01/05/18