



# CATALOG OF REPLACEMENT PARTS



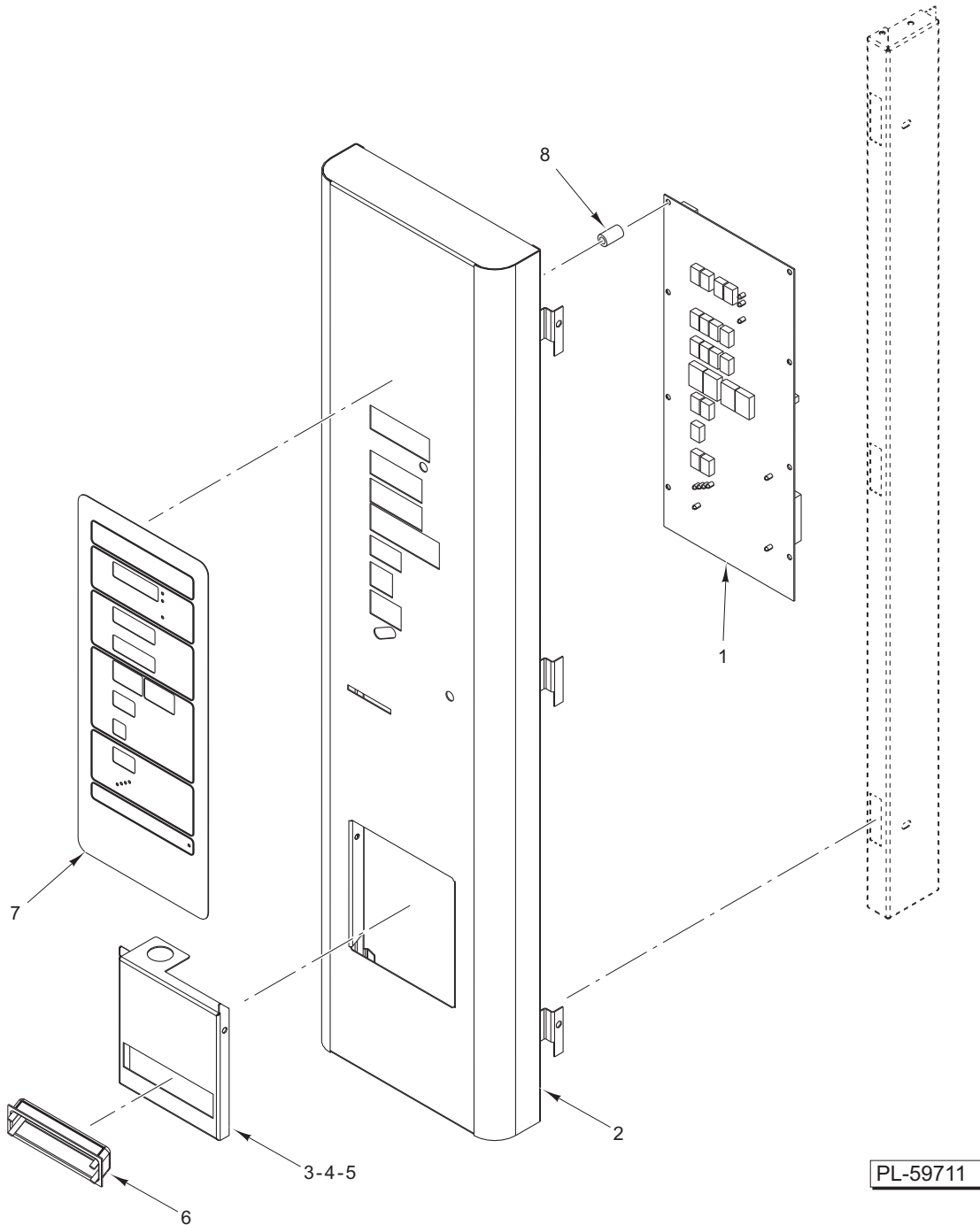
## MINI RACK OVEN

OV310G

ML-132515

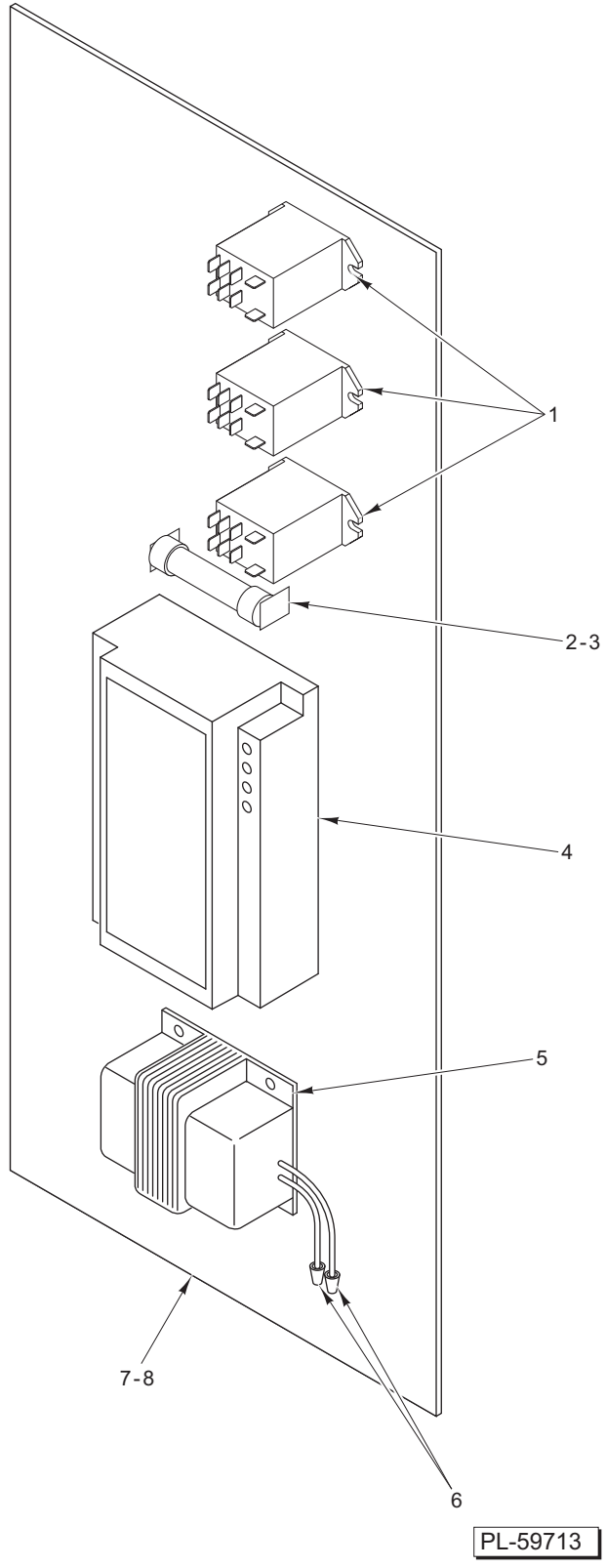
### Table of Contents

3	ADVANCED CONTROL PANEL ASSEMBLY
5	ELECTRICAL COMPONENTS
7	CABINET UNIT
9	DOORS
11	ROTATOR AND RACK ASSEMBLY
13	DRAFT INDUCER ASSEMBLY
15	WATER/STEAM SUPPLY
17	GAS HEAT SUPPLY
19	HEAT EXCHANGER AND AIR CIRCULATION SYSTEM



**ADVANCED CONTROL PANEL ASSEMBLY**

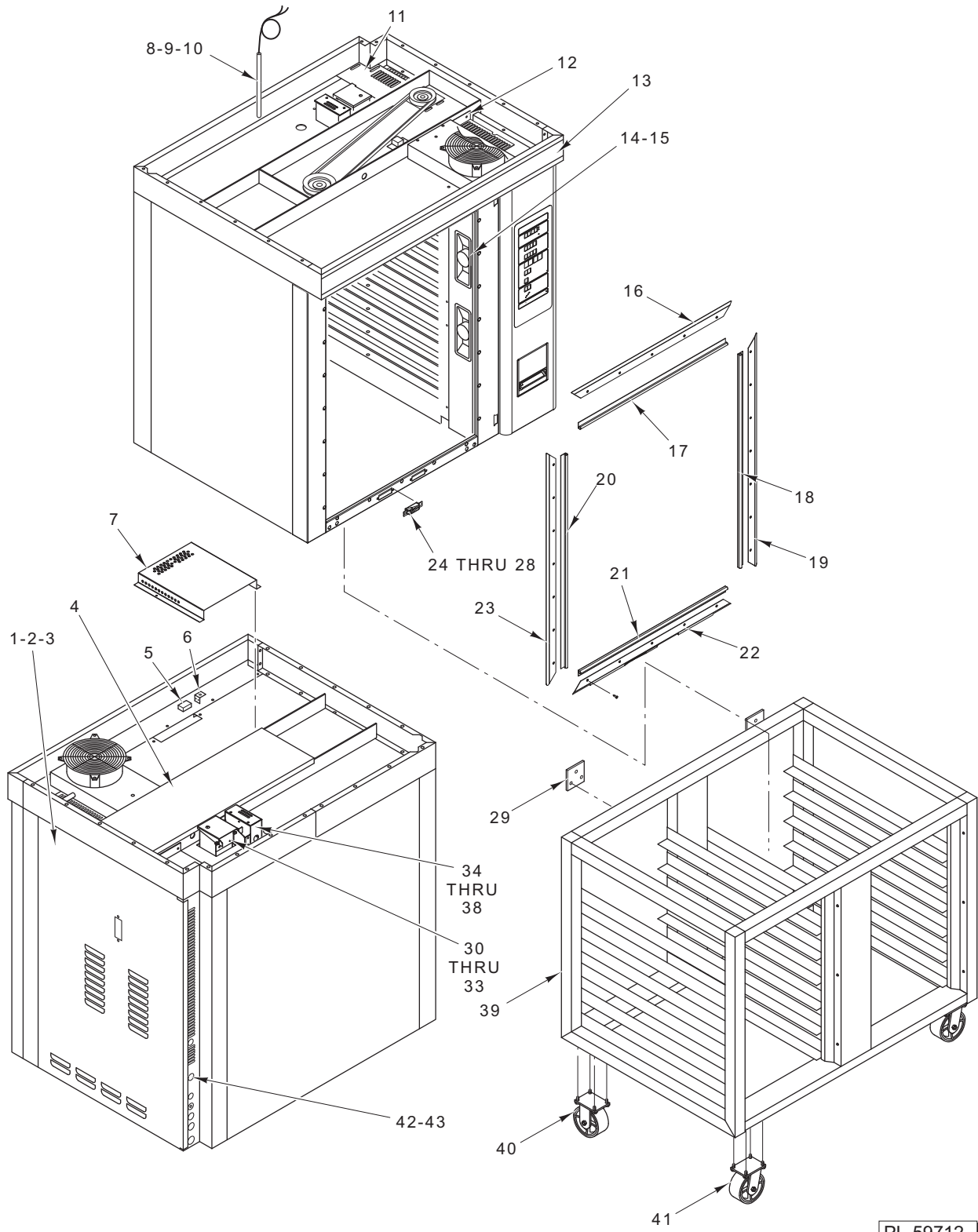
ILLUS.	PART NO.	NAME OF PART	AMT.
PL-59711			
1	01-100V16-0565E	PC Board Assy. (With 01-100V16-00759).....	1
2	01-1M6424-00001	Control Door Weldment .....	1
3	01-1M6450-00001	Door - Access.....	1
4	01-1000V0-00092	Retainer - Pin & E-Clip.....	2
5	01-100V18-00121	Magnet - Retainer .....	1
6	01-100V18-00110	Pull - Handle Pocket (Black, Plastic).....	1
7	01-100V16-00866	Label - Advanced Controls.....	1
8	01-1000V5-00164	Spacer (PCB).....	8
	01-1M6483-00002	Control Door Assy. (With Advanced PCB) .....	1



**ELECTRICAL COMPONENTS**

**ELECTRICAL COMPONENTS**

ILLUS. PL-59713	PART NO.	NAME OF PART	AMT.
1	01-1000V6-00271	Relay DPDT (1/4 Hp., 120 VAC) .....	3
2	01-100V10-00219	Fuse – Panel Mount (1/2 Amp.).....	1
3	01-100V10-00232	Fuse Holder (30 Amp.).....	1
4	01-1000V9-00152	Control – Electronic Ignition.....	1
5	01-100V10-00251	Transformer .....	1
6	01-1000V5-00015	Nut – Wire (Orange) .....	2
7	01-1M5387-00002	Plate – Relay Mounting.....	1
8	01-1M5563-00001	Module – Electrical (Incls. Items 1 thru 7).....	1



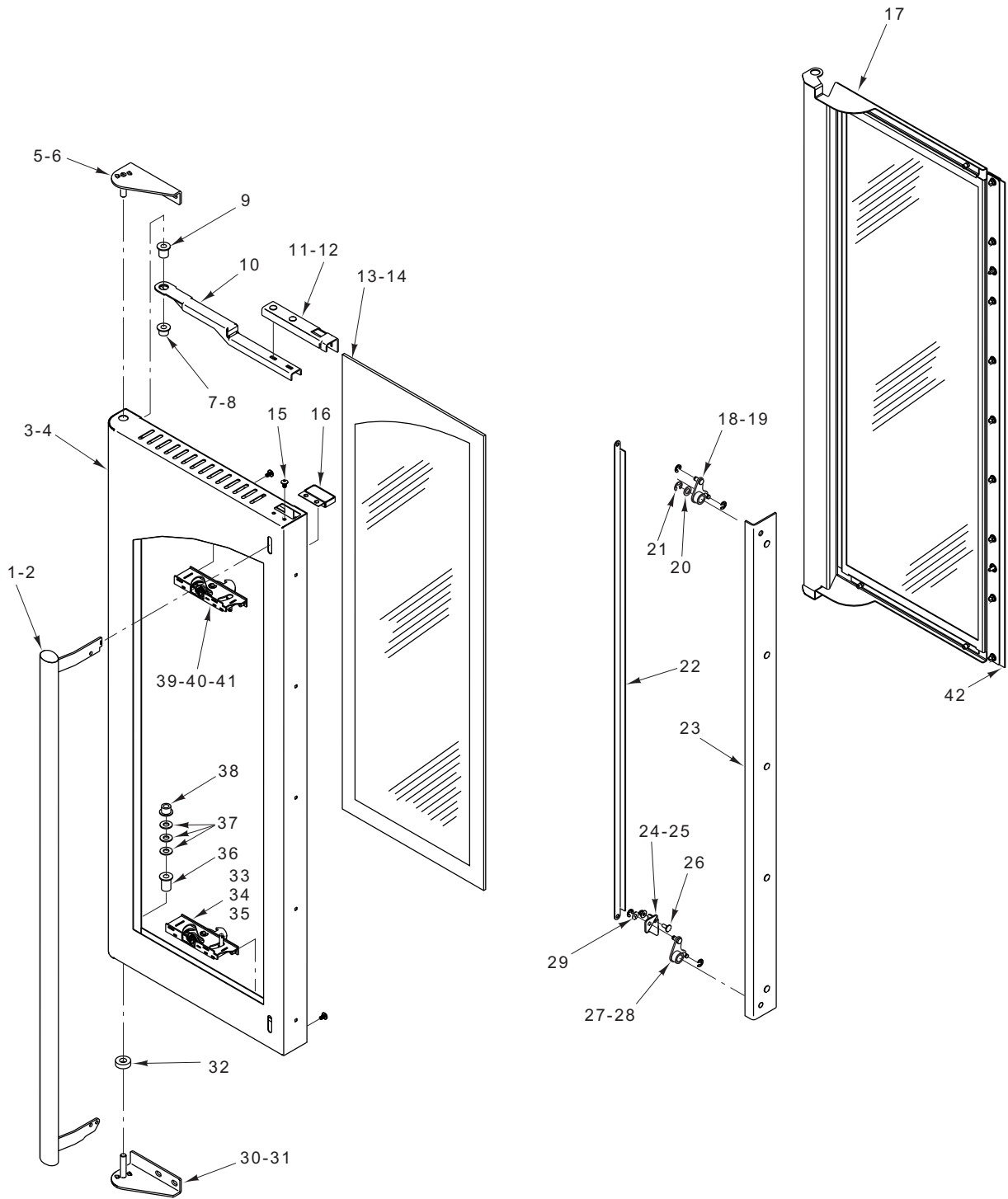
PL-59712

**CABINET UNIT**

## CABINET UNIT

ILLUS. PL-59712	PART NO.	NAME OF PART	AMT.
1	01-1M4198-00002	Skin – RH Outer (Service) .....	1
2	01-100V11-00207	Cover – Access .....	1
3	01-1000V4-00322	Screw – Thumb .....	2
4	01-1M4221-00003	Cover – Rotator .....	1
5	01-1M5816-00101	Switch Assy. – Door Magnet .....	2
6	01-1M5806-00001	Bracket – Switch .....	2
7	01-1M5832-00001	Cover – Wiring .....	1
8	01-1A1828-00001	Kit – Thermocouple .....	1
9	01-100V17-00279	Fitting – Compression 1/4 NPTM x 3/16 .....	1
10	01-1M5860-00001	Thermostat Assy. With Stuffing .....	1
11	01-1M4202-00002	Cover – Rear Outer .....	1
12	01-1M4203-00001	Cover – Front Outer .....	1
13	01-1M6489-00001	Trim – Upper Front Assy. ....	1
14	01-1000V7-00027	Lamp – Oven Assy. ....	2
15	01-1000V7-00028	Bulb (40 W.) Appliance Type .....	1
16	01-1M6428-00001	Retainer – Top Gasket .....	1
17	01-1M6491-00001	Gasket – Door Opening Top .....	1
18	01-1M6492-00001	Gasket – Door Opening .....	1
19	01-1M6426-00001	Retainer – Right Side Gasket .....	1
20	01-1M6492-00001	Gasket – Door Opening .....	1
21	01-1M6493-00001	Gasket – Door Opening Bottom .....	1
22	01-1M6464-00001	Retainer – Bottom Gasket .....	1
23	01-1M6427-00001	Retainer – Left Side Gasket .....	1
24	01-1M6449-00002	Striker – Loading Door (Oven Side) .....	4
25	01-1M6494-00001	Rod – Door Latch Striker .....	4
26	01-1M6447-00002	Body – Striker Bucket .....	4
27	01-1000V0-00112	Snap Ring (1/4) (SST) .....	8
28	01-1000V0-00103	Bearing – Nylon Thrust .....	8
29	01-1M3475-00001	Retainer .....	2
30	01-1M3479-00004	Cap – Vent .....	1
31	01-1M3375-00003	Hinge – Body .....	1
32	01-1000V4-00304	Pins – Hinge .....	2
33	01-1M6100-00002	Vent Cover Assy. (Incls. Items 30, 31, & 32) .....	1
34	01-1M6055-00002	Vent Assy. – Motor .....	1
35	01-1000V8-00135	Motor Assy. ....	1
36	01-1M6104-00103	Cover – Stepper Motor .....	1
37	01-1M6104-00104	Harness – Stepper Motor .....	1
38	01-1M6340-00001	Vent Actuator Assy. ....	1
*39	01-1M4533-00012	Stand Assy. (12-Pan Capacity) (Incls. Items 40 & 41) .....	1
40	01-100V14-00047	Caster – Rigid Plate (With Brake) .....	2
41	01-100V14-00046	Caster – Swivel Plate .....	2
42	01-1M5575-00001	Cord – Power (120 V.) (Black, 8 Ft.) .....	1
43	01-100V17-00572	Grip – Cord (Aluminum) .....	1
	01-1M5860-00001	Thermostat Assy. (Hi-Limit) With Stuffing .....	1
	01-1000V4-00121	Insert – Nut 10-32 (For Door Gasket Retainer) .....	AR
	01-1M5379-00001	Shutter – Airflow (Back LH) .....	1
	01-1M5379-00002	Shutter – Airflow (Front RH) .....	4

\* Optional Part



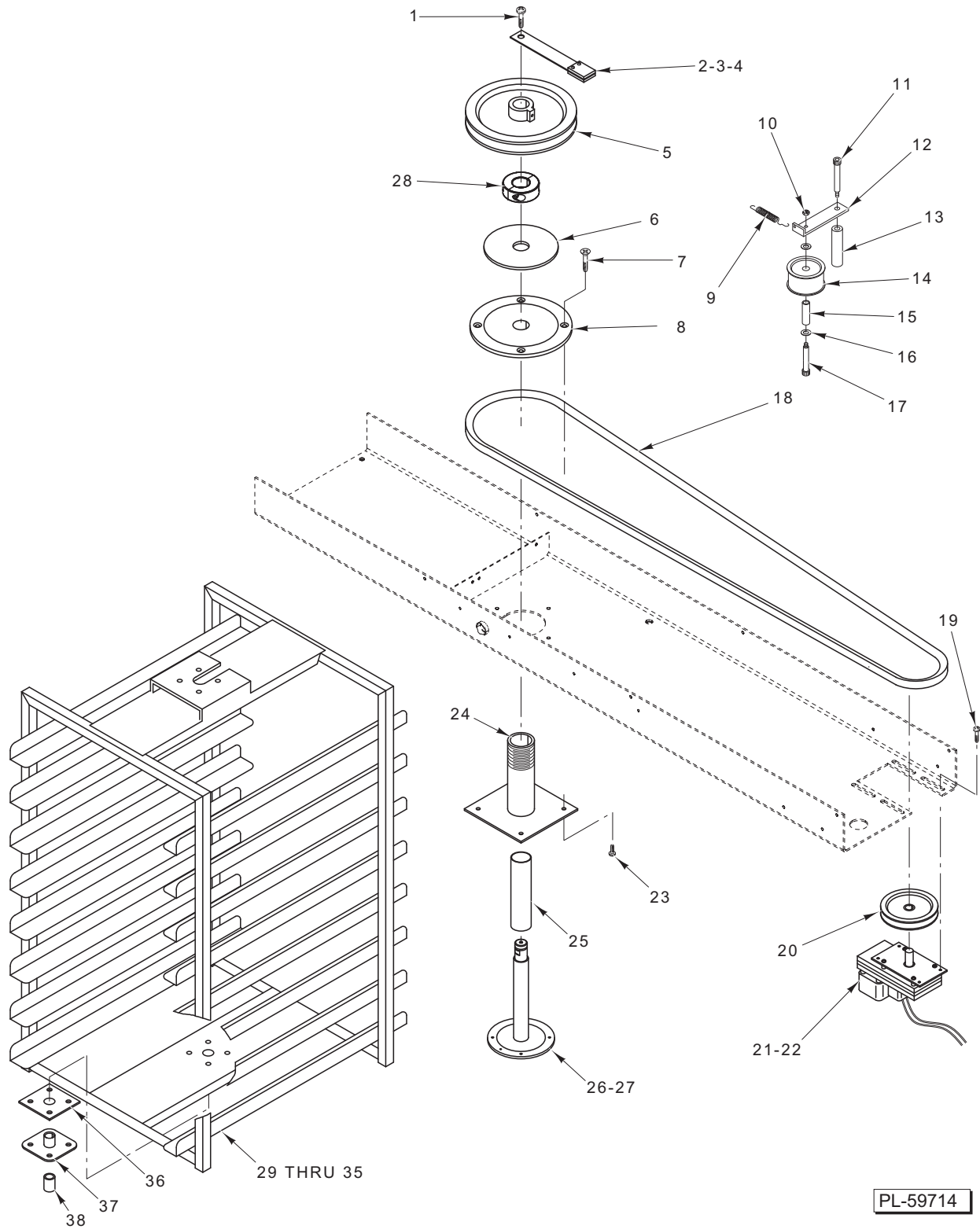
PL-59707

DOORS



## DOORS

ILLUS.	PART NO.	NAME OF PART	AMT.
	PL-59707		
1	01-1M6468-00001	Handle Assy. – Left .....	1
2	01-1M6470-00001	Handle Assy. – Right.....	1
3	01-1M6419-00001	Door – Skin Left .....	1
4	01-1M6418-00001	Door – Skin Right.....	1
5	01-1M6189-00001	Bracket – Top Door Bearing Left.....	1
6	01-1M6189-00002	Bracket – Top Door Bearing Right .....	1
7	01-1000V0-00108	Bearing .....	1
8	01-1000V0-00107	Bearing .....	1
9	01-1000V0-00110	Bearing .....	1
10	01-1M6462-00001	Torque Arm – Hinge Side.....	1
11	01-1M6485-00001	Torque Arm – Left .....	1
12	01-1M6486-00001	Torque Arm – Right.....	1
13	01-100V16-00867	Glass – Outer Left Door.....	1
14	01-100V16-00868	Glass – Outer Right Door .....	1
15	01-1000V4-00350	Mach. Screw 10-32 x 3/8 Phil. Hd. (SST).....	2
16	01-1M6436-00001	Magnet Assy.....	1
17	01-1M6472-00001	Door – Inner.....	1
18	01-1M6473-00001	Mount – Left Door Handle Rotator .....	1
19	01-1M6474-00001	Mount – Right Door Handle Rotator .....	1
20	01-1000V4-00341	Washer.....	2
21	01-1000V0-00091	Ring – Snap .....	2
22	01-1M6432-00001	Rod – Connecting .....	1
23	01-1M6471-00001	Cradle Mechanism – Handle .....	1
24	01-1M6441-00001	Actuator – Left Latch.....	1
25	01-1M6442-00001	Actuator – Right Latch .....	1
26	01-1000V4-00339	Bolt – Carriage 10-32 x 1/2 (SST).....	2
27	01-1M6473-00001	Mount – Left Door Handle Rotator.....	1
28	01-1M6474-00001	Mount – Right Door Handle Rotator .....	1
29	01-1000V4-00325	Washer.....	1
30	01-1M6189-00001	Bracket – Top Door Bearing Left.....	1
31	01-1M6189-00002	Bracket – Top Door Bearing Right .....	1
32	01-1M6487-00001	Tube – Plastic .....	1
33	01-1M6415-00001	Latch Assy. (Top Right / Bottom Left).....	1
34	01-1M6480-00001	Latch Assy. (Top Left / Bottom Right).....	1
35	01-1M6463-00001	Tab – Door Latch Retaining .....	1
36	01-1000V0-00100	Bearing .....	1
37	01-1000V4-00364	Washer.....	3
38	01-1000V0-00107	Bearing .....	1
39	01-1M6415-00001	Latch Assy. (Top Right / Bottom Left).....	1
40	01-1M6480-00001	Latch Assy. (Top Left / Bottom Right).....	1
41	01-100V20-00028	Spring – Extension.....	1
42	01-100V16-00881	Gasket .....	1
	01-1M6421-00001	Door – Left (Complete Assy.).....	1
	01-1M6420-00001	Door – Right (Complete Assy.).....	1

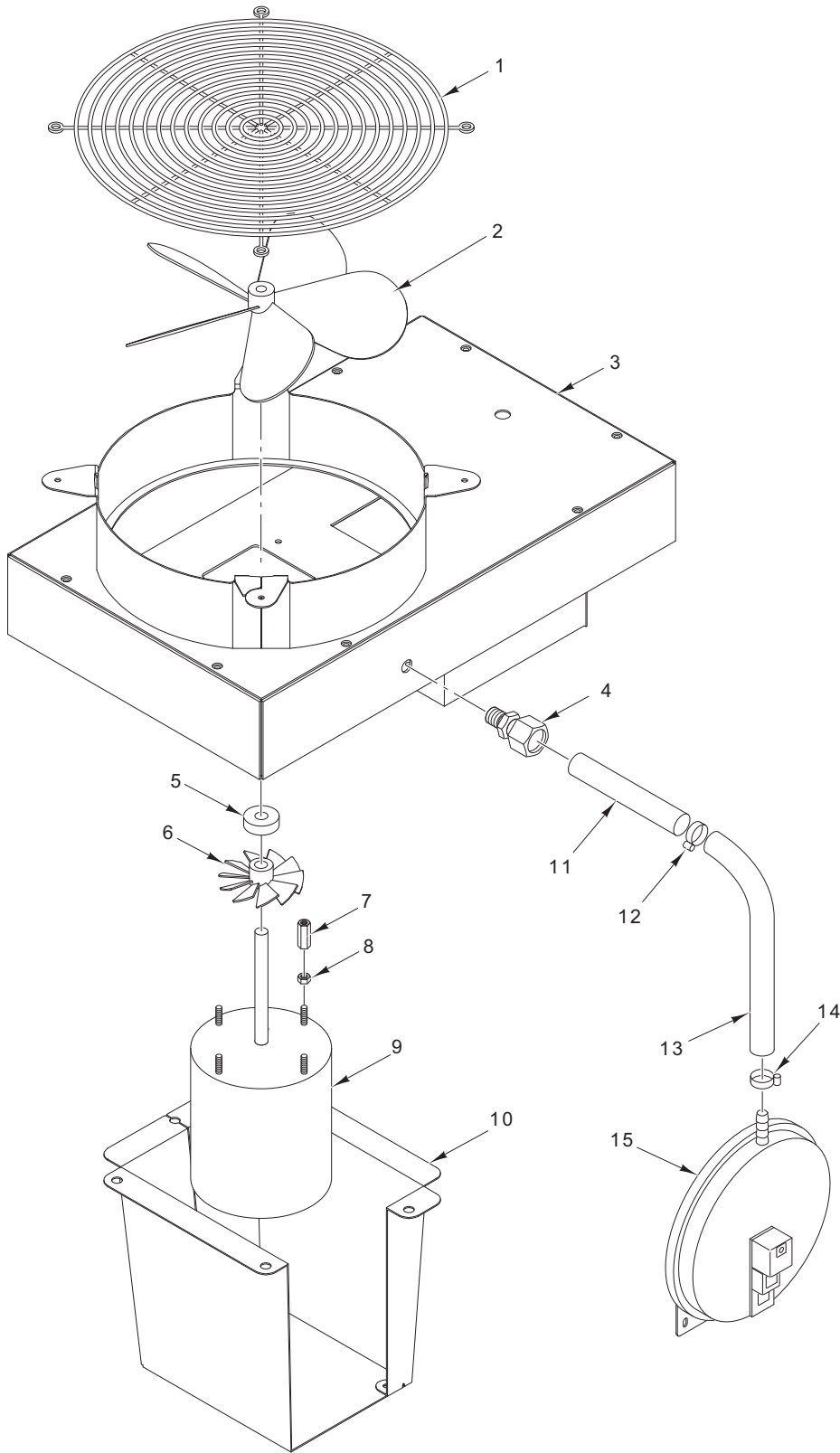


PL-59714

**ROTATOR AND RACK ASSEMBLY**

**ROTATOR AND RACK ASSEMBLY**

ILLUS.	PART NO.	NAME OF PART	AMT.
	PL-59714		
1	-	Screw 1/4-20 x 1/2 Truss Hd.....	1
2	00-175999	Actuator – Magnetic.....	1
3	01-1M3383-00001	Plate – Magnet Mounting.....	1
4	-	Screw 6-32 x 3/8 Pan Hd.....	2
5	01-1000V3-00090	Sheave.....	1
6	01-1000V0-00071	Bearing – Rotator Thrust.....	1
7	-	Screw 1/4-20 x 1/2 Flat Hd.....	4
8	01-1M3358-00003	Disk – Thrust.....	1
9	01-100V20-00009	Spring – Tension.....	1
10	-	Nut 5/16-18 Hex (Nylock).....	1
11	01-1000V4-00296	Bolt – Shouldered 1/2 Dia., 3/8-16 x 1 3/4 Allen Hex Hd.....	1
12	01-1M3527-00001	Bracket – Rotator Idler.....	1
13	01-1M3526-00002	Tube – Rotator Idler.....	1
14	01-1000V3-00107	Pulley – Rotator Idler.....	1
15	01-1000V0-00038	Bearing – Journal.....	1
16	-	Washer 3/8 (SST).....	3
17	01-1000V4-00295	Bolt – Shouldered 3/8 Dia., 5/16-18 x 1 1/4 Allen Hex Hd.....	1
18	01-1000V3-00093	V-Belt.....	1
19	-	Screw 10-32 x 1/2 Truss Hd.....	8
20	01-1000V3-00106	Sheave – Die Cast (3/8 In. Bore).....	1
21	01-1M3360-00001	Plate – Rotator Drive.....	1
22	01-1M6053-00001	Motor – Gear Mini Rack (Incls. 2 1/2 In. Blade Assy.).....	1
23	-	Screw 10-32 x 1/2 Truss Hd.....	4
24	01-1M3363-00003	Housing – Upper Rotator.....	1
25	01-1000V0-0072A	Bearing – Rotator (Upper).....	1
26	01-1M3365-00003	Shaft – Rotator.....	1
27	01-1000V1-00043	Pin – Cotter.....	AR
28	01-1000V1-00076	Collar – Shaft.....	1
29	01-1M5965-00005	Rack – End Load (5-Pan).....	1
30	01-1M5965-00006	Rack – End Load (6-Pan).....	1
31	01-1M5965-00008	Rack – End Load (8-Pan).....	1
32	01-1M5965-00010	Rack – End Load (10-Pan).....	1
33	01-1M5965-00012	Rack – End Load (12-Pan).....	1
34	01-1M5967-00006	Rack – Side Load (6-Pan).....	1
35	01-1M5967-00008	Rack – Side Load (8-Pan).....	1
36	01-1M3366-00001	Shaft – Lower Rotator.....	1
37	01-1M3364-00002	Bearing – Lower Rotator.....	1
38	01-1000V0-0072B	Bearing – Rotator (Lower).....	1
	01-1M3525-00002	Pulley – Idler (Incls. Items 11 thru 17).....	1



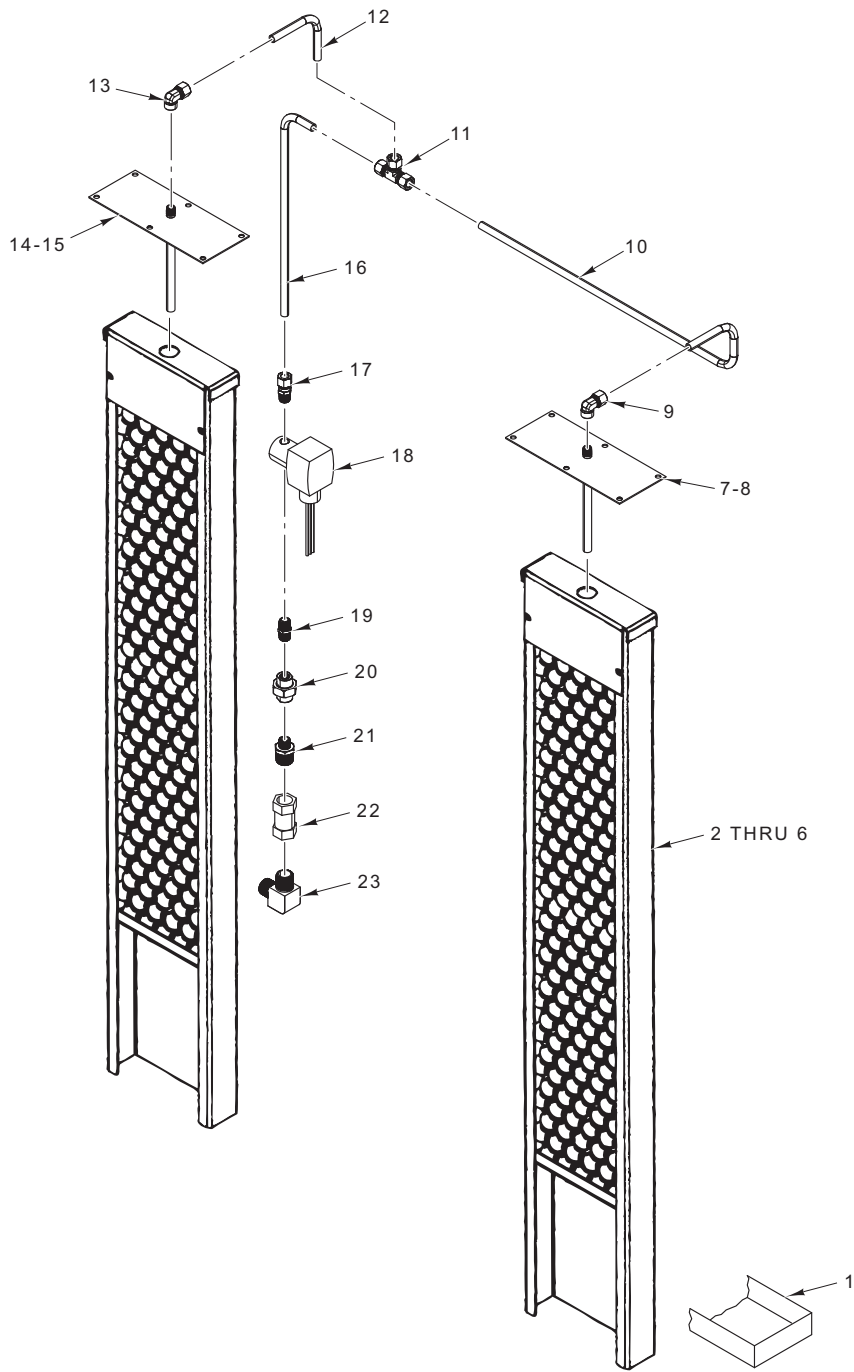
PL-59715

**DRAFT INDUCER ASSEMBLY**

**DRAFT INDUCER ASSEMBLY**

ILLUS.	PART NO.	NAME OF PART	AMT.
PL-59715			
1	01-1000V8-00090	Guard – Blower Wheel.....	1
2	01-1000V8-00095	Blade – Fan .....	1
3	01-1M4441-00001	Weldment – Draft Inducer.....	1
4	FP-078-49	Fitting – Tube 1/4 (Brass).....	1
5	01-1000V1-00075	Collar – Set 5/16 (SST).....	1
6	01-1000V8-00099	Blade – Fan 2 In. Dia.....	1
7	01-1000V4-00220	Nut – Coupler 8-32 x 5/8.....	4
8	-	Nut 8-32.....	4
9	01-1000V8-00098	Motor – Fan (3000 RPM).....	1
10	01-1M4465-00001	Shroud – Motor .....	1
*11	01-100V17-00004	Tube – Seamless 1/4 In. O.D. ....	4 In.
12	01-1000V1-00018	Clamp – Hose.....	1
13	01-100V17-00094	Tube (16 3/4 In.).....	1
14	01-1000V1-00018	Clamp – Hose.....	1
15	01-1000V6-00177	Switch – Pressure.....	1
	01-1M4442-00001	Draft Inducer Assy. (Incls. Items 1 thru 14).....	1
	01-1M4466-00001	Angle – Draft Inducer Duct.....	1

\* Sold Per Inch



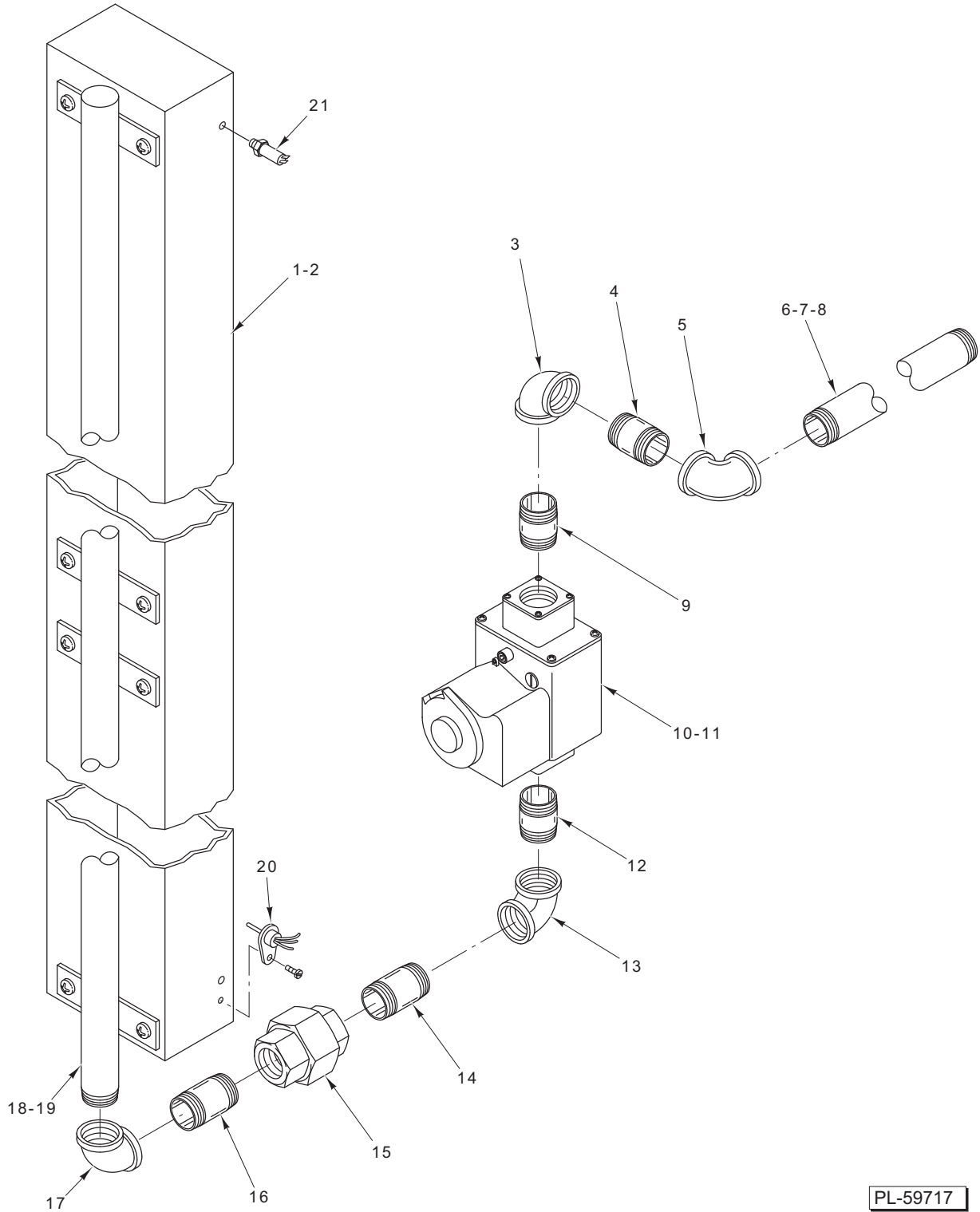
PL-59716

**WATER/STEAM SUPPLY**

**WATER/STEAM SUPPLY**

ILLUS. PL-59716	PART NO.	NAME OF PART	AMT.
1	01-1M4411-00002	Pan – Auxiliary Drain .....	1
2	01-1M6004-00001	Steamer Mass Assy. ....	2
3	01-1M6004-00104	Retainer – Steamer Balls .....	1
4	01-1M6004-00105	Retainer – Steamer Bottom .....	1
5	01-1M6004-00106	Cover – Steamer Assy. ....	1
6	01-1M5975-00001	Steam Ball Casting .....	4
7	01-1M4272-00002	Manifold – Steamer Assy. (Incls. Item 8).....	1
*8	01-100V21-0039A	Tape – Silicone Gasket (20 In. Per Manifold) .....	1
9	01-100V17-00666	Elbow <sup>3</sup> / <sub>8</sub> x 90 Deg. Compression (Brass).....	1
10	01-1M6495-00002	Tube – Copper (Water Supply to Front Manifold) .....	1
11	01-100V17-00506	Tee <sup>3</sup> / <sub>8</sub> Compression (Brass).....	1
12	01-1M6495-00003	Tube – Copper (Water Supply to Rear Manifold).....	1
13	01-100V17-00666	Elbow <sup>3</sup> / <sub>8</sub> x 90 Deg. Compression (Brass).....	1
14	01-1M4272-00002	Manifold – Steamer Assy. (Incls. Item 15).....	1
*15	01-100V21-0039A	Tape – Silicone Gasket (20 In. Per Manifold) .....	1
16	01-1M6495-00001	Tube – Copper (Water Supply to Tee) .....	1
17	01-100V17-00341	Fitting – Straight (Brass) .....	1
18	01-100V17-00075	Valve – Solenoid .....	1
19	01-100V17-00083	Fitting – Straight (Brass) .....	1
20	01-100V17-00661	Union <sup>1</sup> / <sub>4</sub> (Brass).....	1
21	01-100V17-00424	Pipe – Close <sup>1</sup> / <sub>4</sub> (Brass).....	2
22	01-100V17-00566	Regulator – Flow.....	1
23	01-100V17-00662	Elbow <sup>1</sup> / <sub>2</sub> x 90 Deg. (Brass).....	1

\* Sold Per Inch



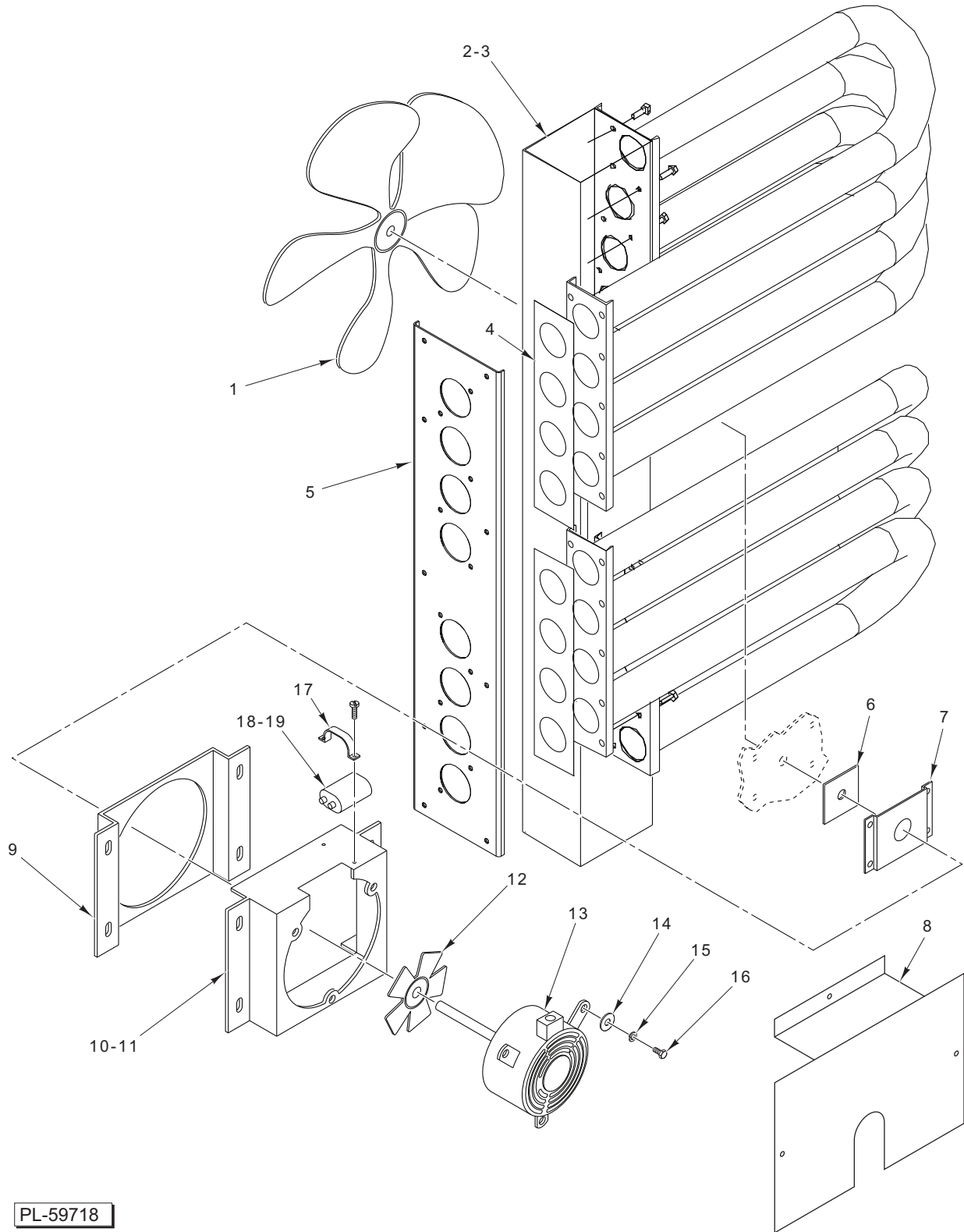
PL-59717

**GAS HEAT SUPPLY**



**GAS HEAT SUPPLY**

ILLUS. PL-59717	PART NO.	NAME OF PART	AMT.
1	01-1M4267-00002	Burner – Rack Assy. (Incls. Items 1 & 3).....	1
2	01-1000V9-00146	Burner – In-Shot .....	8
3	01-100V17-00512	Elbow – Pipe 90 Deg. ....	1
4	01-100V17-00492	Pipe Close .....	1
5	01-100V17-00512	Elbow – Pipe 90 Deg. ....	1
6	01-10A981-02400	Pipe – Close .....	1
7	01-100V17-00631	Pipe.....	1
8	01-1M4381-00201	Pipe – Gas Supply .....	1
9	01-100V17-00492	Pipe Close .....	1
10	01-1000V9-00188	Valve – Gas (1 Stage).....	1
11	01-1000V9-00128	Valve – Kit (LP Conversion) .....	1
12	01-100V17-00492	Pipe – Close .....	1
13	01-100V17-00512	Elbow – Pipe 90 Deg. ....	1
14	01-10A981-00200	Pipe 1/2 .....	1
15	01-100V17-00463	Union 1/2 NPT .....	1
16	01-100V17-00492	Pipe – Close .....	1
17	01-100V17-00512	Elbow – Pipe 90 Deg. ....	1
18	01-100V16-0482B	Manifold (NAT).....	1
19	01-100V16-0482C	Manifold (LP) .....	1
20	01-1000V9-00149	Ignitor – Hot Surface.....	1
21	01-1000V9-00151	Sensor – Flame Rod .....	1
	01-10A981-00200	Pipe 1/2 .....	1
	01-1M4227-00001	Housing – Burner.....	2
	01-1M4229-00001	Plate – Side Cover.....	2
	01-1M4228-00001	Mount – Burner .....	2
	01-1M4224-00001	Plate – Collector Seal .....	1
	01-1M4381-00004	Gas Supply (NAT) (Incls. Items 3 thru 10 & 12 thru 16).....	1
	01-1M4381-00005	Gas Supply (LP) (Incls. Items 3 thru 16).....	1
	01-1M4527-00001	Cover – Gas Valve .....	1
	01-1M4510-00001	Plate – Pipe Lock 3/4.....	1



PL-59718

**HEAT EXCHANGER AND AIR CIRCULATION SYSTEM**

**HEAT EXCHANGER AND AIR CIRCULATION SYSTEM**

ILLUS.	PART NO.	NAME OF PART	AMT.
PL-59718			
1	01-1000V8-00094	Blade – Fan Circulation .....	1
2	01-1M4448-00002	Heat Exchanger .....	1
3	01-100V16-00510	Gasket – Heat Exchanger (Collector) .....	2
4	01-100V16-00481	Gasket – Heat Exchanger (Burner) .....	2
5	01-1M5986-00002	Seal – Plate Assy. ....	2
6	01-1M3343-00002	Seal – Fan .....	1
7	01-1M3342-00001	Retainer – Seal .....	1
8	01-1M4352-00002	Cover – Insulation .....	1
9	01-1M4447-00002	Channel – Fan Inlet .....	1
10	01-1M4390-00002	Base – Motor Bracket (Incls. Item 11) .....	1
11	01-1000V4-00122	Insert – Threaded .....	3
12	01-1000V8-00094	Blade – Fan .....	1
13	01-1M4881-00001	Motor – Circulation .....	1
14	-	Washer 1/4 .....	3
15	-	Lockwasher 1/4 .....	3
16	-	Bolt 1/4-20 x 3/4 Hex Hd. ....	3
17	01-1000V8-0049D	Capacitor Mounting Bracket .....	1
18	01-1000V8-0049C	Capacitor .....	1
19	01-1A2141-00001	Kit – Rotator Capacitor (Incls Items 17 & 18) .....	1
	01-1M4446-00001	Circulation Motor Assy. (Incls. Items 9 thru 19) .....	1
	01-1M5593-00001	Panel – Pressure Assy. ....	1

