



CATALOG OF REPLACEMENT PARTS



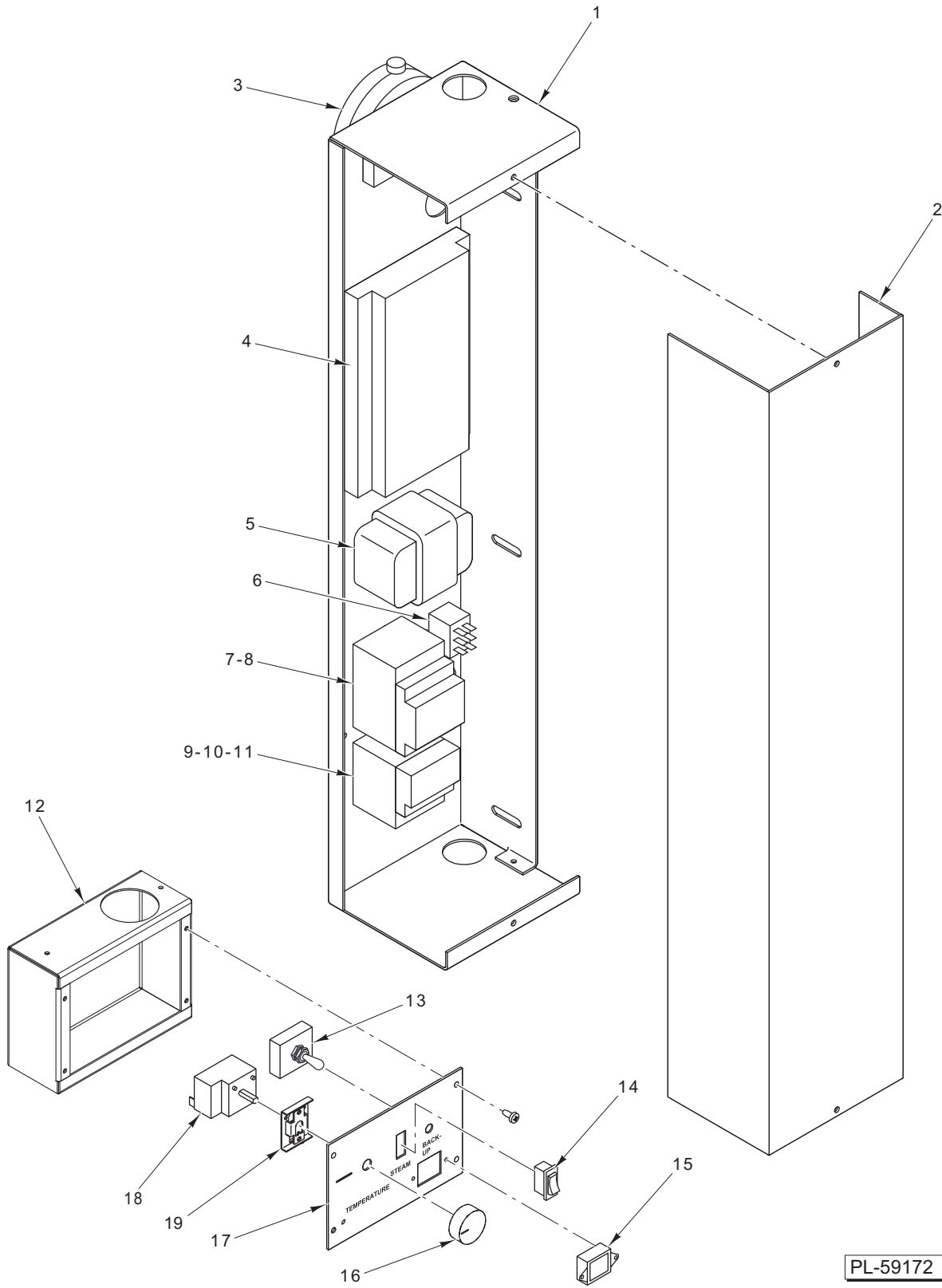
GAS RACK OVEN

OV500G1
OV500G2

ML-132500
ML-132498

Table of Contents

5	COMPONENT BOX (ML-132500)
7	COMPONENT BOX (ML-132498)
9	CONTROL CABINET, DOOR, AND CONTROLLER
11	CABINET (ML-132500)
13	CABINET (ML-132498)
14	HOOD (ML-132500)
15	HOOD (ML-132498)
17	LOADING DOOR (ML-132500)
19	LOADING DOOR (ML-132498)
21	BLOWER, PANELS, AND VENTS (ML-132500)
23	BLOWER, PANELS, AND VENTS (ML-132498)
25	DRAFT INDUCER
27	LIFTER, ROTATOR, AND CARRIER
28	STEAMER ASSEMBLY (ML-132500)
29	STEAMER ASSEMBLY (ML-132498)
31	GAS BURNER AND HEAT CIRCULATION (ML-132500)
33	GAS BURNER AND HEAT CIRCULATION (ML-132498)
34	DOOR LATCH ASSEMBLY
35	EXTERIOR WATER SUPPLY
36	GAS SUPPLY PLUMBING

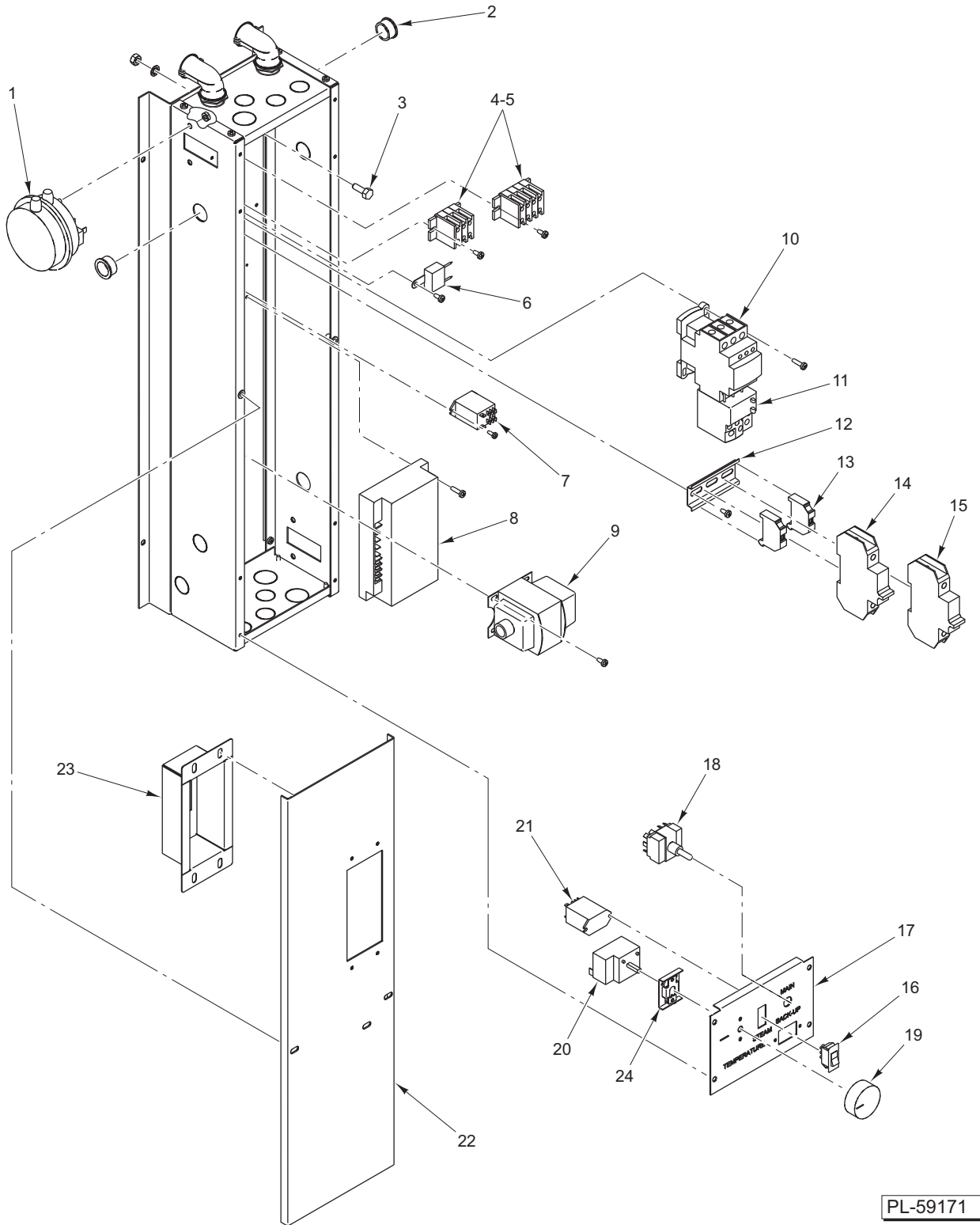


COMPONENT BOX (ML-132500)

PL-59172

COMPONENT BOX (ML-132500)

ILLUS. PL-59172	PART NO.	NAME OF PART	AMT.
1	01-1M5439-00001	Box – Component Panel.....	1
2	01-1M5440-00001	Cover – Component Panel	1
3	01-1M2824-00001	Switch – Pressure.....	1
4	01-1000V9-00170	Control – Ignition (3 TFI, No Reset).....	1
5	01-100V10-00251	Transformer (120-24 V.) (With Reset).....	1
6	01-1000V6-00271	Relay – DPDT (1/2 Hp., 120 VAC) (Fan).....	1
7	01-1000V6-00231	Contacto – Blower Circulation (208-240 V., 3 Ph.)	1
8	01-1000V6-00233	Contacto – Blower Circulation (208-240 V., 1 Ph.).....	1
9	01-1000V6-00232	Overload – Blower Circulation (208-240 V., 4-6 Amp., 3 Ph.).....	1
10	01-1000V6-00234	Overload – Blower Circulation (208-240 V., 7-10 Amp., 1 Ph.).....	1
11	01-1000V6-00235	Overload – Blower Circulation (480 V., 1.2-2.5 Amp., 3 Ph.).....	1
12	01-1M5493-00001	Box – Back-up Controls	1
13	01-1000V6-00221	Switch – MOM Transfer (Back-Up Controls).....	1
14	01-1000V6-00220	Switch – Toggle 4 PDT (Back-Up Controls).....	1
15	01-1000V6-00070	Relay – DPDT (1/4 Hp., 120 VAC) (Back-Up Controls).....	1
16	01-100V18-00173	Knob – Thermostat (Back-Up Controls).....	1
17	01-1M5084-00001	Plate – Backup Control ID (Back-Up Controls).....	1
18	01-1000V6-00265	Thermostat 500 Deg. (Back-Up Controls)	1
19	01-1M5894-00001	Bracket – Back Up	1
	01-1M5083-00001	Backup Control Unit (Incls. Items 13 thru 18).....	1



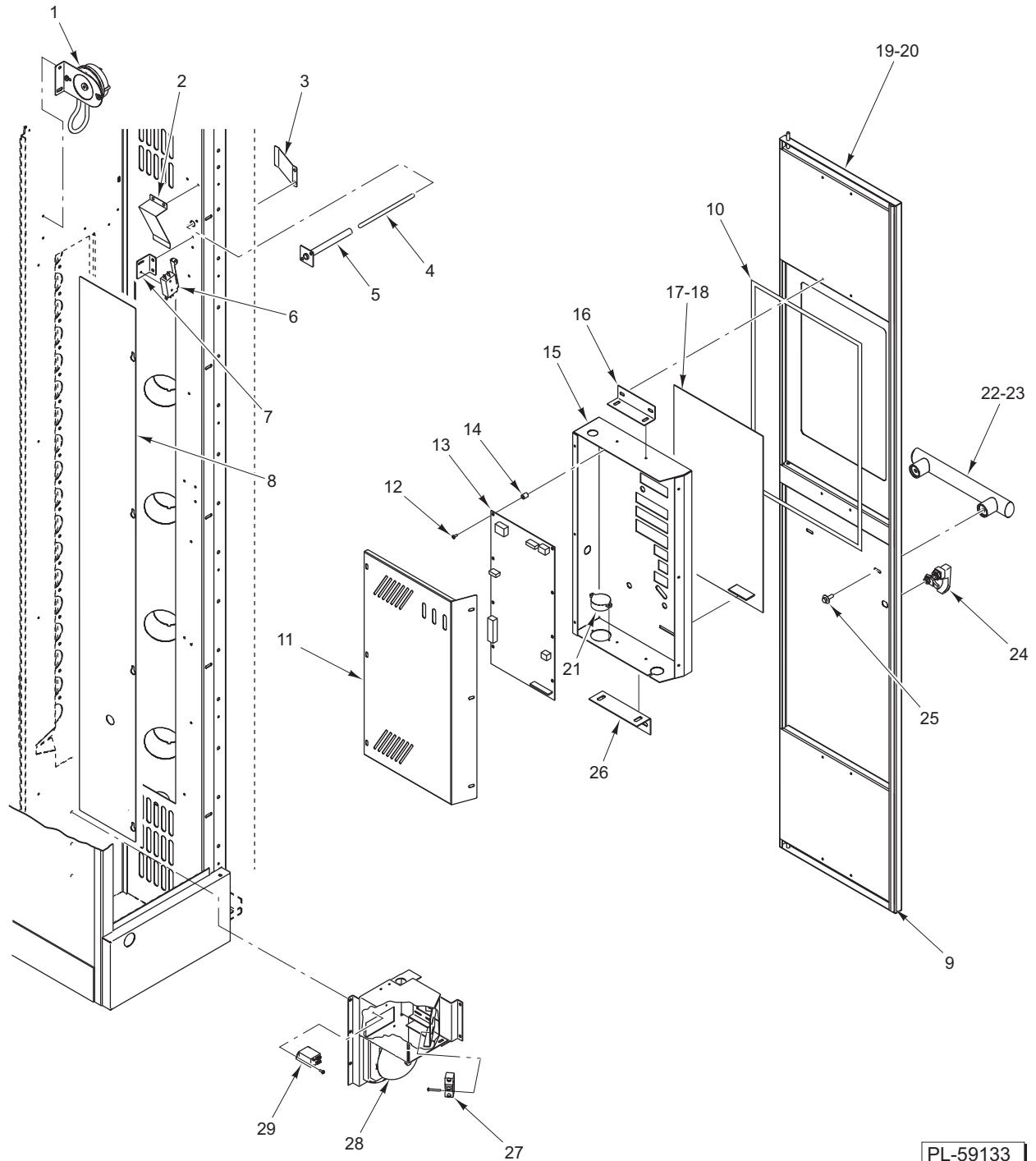
PL-59171

COMPONENT BOX (ML-132498)

COMPONENT BOX (ML-132498)

ILLUS. PL-59171	PART NO.	NAME OF PART	AMT.
1	01-1M2824-00001	Switch – Pressure.....	1
2	01-1000V5-00059	Bushing – Snap.....	2
3	01-1000V5-00101	Lug – Grounding.....	1
4	01-1000V5-00105	Terminal – Section (600 V.) (Flat Base).....	7
5	01-1000V5-00106	End – Section (600 V.) (Flat Base).....	2
6	01-100V10-00242	Filter – EMI.....	1
7	01-1000V6-00271	Relay – DPDT (1/2 Hp., 120 VAC) (CIT).....	1
8	01-1000V9-00170	Control – Ignition (3 TFI, No Reset).....	1
9	01-100V10-00251	Transformer (120-24 V.) (With Reset).....	1
10	01-1000V6-00231	Contactora – Blower Circulation (3 Ph.).....	1
11	01-1000V6-00232	Overload – Blower Circulation (208-240 V., 4-6 Amp., 3 Ph.).....	1
*12	01-100V18-00115	Rail – Din.....	3 In.
13	01-1000V5-00252	Stop – Din Rail End.....	2
14	01-1000V6-00251	Breaker – Circuit (10 Amp.).....	2
15	01-1000V6-00291	Breaker – Circuit (13 Amp.).....	1
16	01-1000V6-00220	Switch – Toggle 4 PDT (Back-Up Controls).....	1
17	01-1M5084-00001	Plate – Backup Control ID (Back-Up Controls).....	1
18	01-1000V6-00221	Switch – MOM Transfer (Back-Up Controls).....	1
19	01-100V18-00173	Knob – Thermostat (Back-Up Controls).....	1
20	01-1000V6-00265	Thermostat 500 Deg. (Back-Up Controls).....	1
21	01-1000V6-00070	Relay – DPDT (1/4 Hp., 120 VAC) (Back-Up Controls).....	1
22	01-1M5677-00002	Cover – Component Box (Back-Up Controls).....	1
23	01-1M5948-00002	Plate – Access Breaker Box.....	1
24	01-1M5894-00001	Bracket – Back Up.....	1
	01-1M5083-00001	Backup Control Unit (Incls. Items 16 thru 20).....	1

*Sold Per Inch



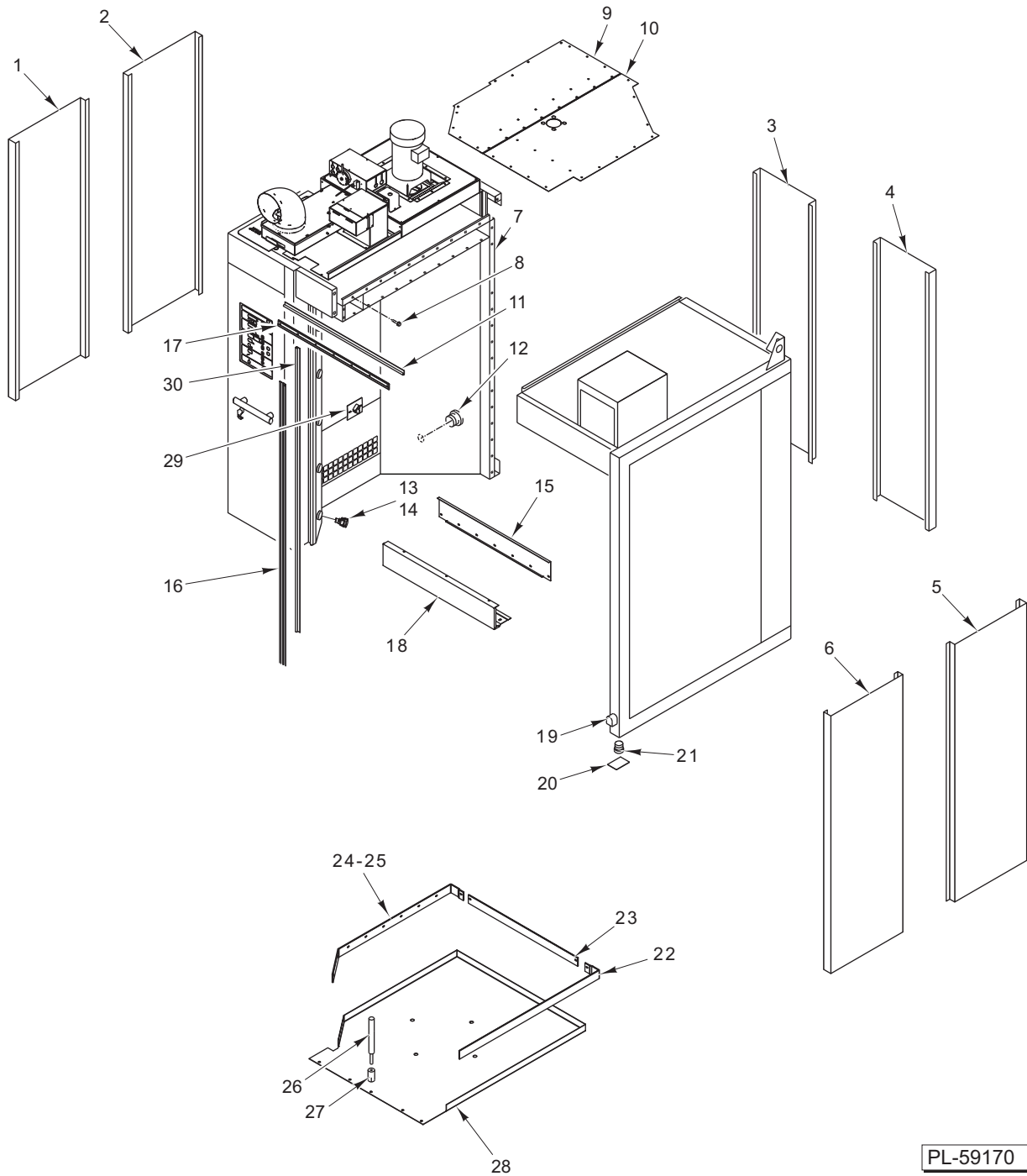
PL-59133

CONTROL CABINET, DOOR, AND CONTROLLER

CONTROL CABINET, DOOR, AND CONTROLLER

ILLUS. PL-59133	PART NO.	NAME OF PART	AMT.
1	01-1M5973-00001	Switch Assy. – Pressure.....	1
2	01-1M6156-00101	Guide – Actuator Rod	1
3	01-1M6157-00101	Guide – Actuator Rod	1
4	01-1M6158-00101	Rod – Actuator	1
5	01-1M6167-00001	Weldment – Door Switch Tube	1
6	01-1000V6-00223	Switch – Lever DPST.....	1
7	01-1M6155-00101	Bracket – Door Switch Mounting	1
8	01-1M5150-00001	Cover – Light Access.....	1
*9	01-100V21-00092	Gasket – PVC Extruded “B” Shape	6 Ft.
*10	01-100V21-00148	Trim – Rubber Edge.....	5 Ft.
11	01-1M6216-00102	Cover – Control Box	1
12	01-1000V4-00165	Nut	8
13	01-100V16-00565	PC Board – Control.....	1
14	01-1000V5-00164	Spacer – PC Board.....	8
15	01-1M6219-00001	Body – Control Box.....	1
16	01-1M5482-00001	Bracket.....	1
17	01-100V16-00546	Label – Advanced Controls.....	1
18	01-100V16-00648	EPROM (Advanced)	1
19	01-1M6129-00002	Door – Control Assy. (Incls. Items 9, 16, 23, 24, & 26) (ML-132498)	1
20	01-1M6129-00001	Door – Control Assy. (Incls. Items 9, 16, 22, 24, & 26) (ML-132500)	1
21	01-100V10-00223	Alarm – Piezo Pre-wired.....	1
22	01-1M6103-00005	Handle – Door (ML-132500).....	1
23	01-1M6103-00004	Handle – Control Door (ML-132498)	1
24	01-100V18-00161	Latch	1
25	01-1000V4-00283	Mach. Screw 1/4 x 20 x 3/4 Hex Washer Hd.....	AR
26	01-1M5482-00001	Bracket.....	1
27	01-1000V6-00255	Switch – Emergency Stop.....	1
28	01-100V10-0003B	Bell (Includes Gong & Body).....	1
29	01-1000V6-00070	Relay – DPDT (1/4 Hp., 120 VAC)	1
	01-1M6079-00002	Kit – Burner Cover (Clean Air)	1
	01-100V11-0030A	Connector – Seal Flex (3/8 x 90 Deg.).....	2
	01-100V16-00584	Label – Control Status (ML-132498).....	1
	01-1M5670-00001	Harness – Main.....	1
	01-1M6078-00001	Kit – Controller Harness.....	1
	01-1M6216-00001	Kit – Advanced Control Box (Incls. Items 11 thru 15)	1
	01-1M6128-00001	Door Assy. – Control (ML-132500) (Incls. Items 9 thru 22, 24, & 25)	1
	01-1M6128-00002	Door Assy. – Control (ML-132498) (Incls. Items 9 thru 21, 23, 24, & 25)	1
	01-1M5640-00001	Stop Assy. – Emergency (Incls. Items 27, 28, & 29).....	1

* Sold Per Foot.



PL-59170

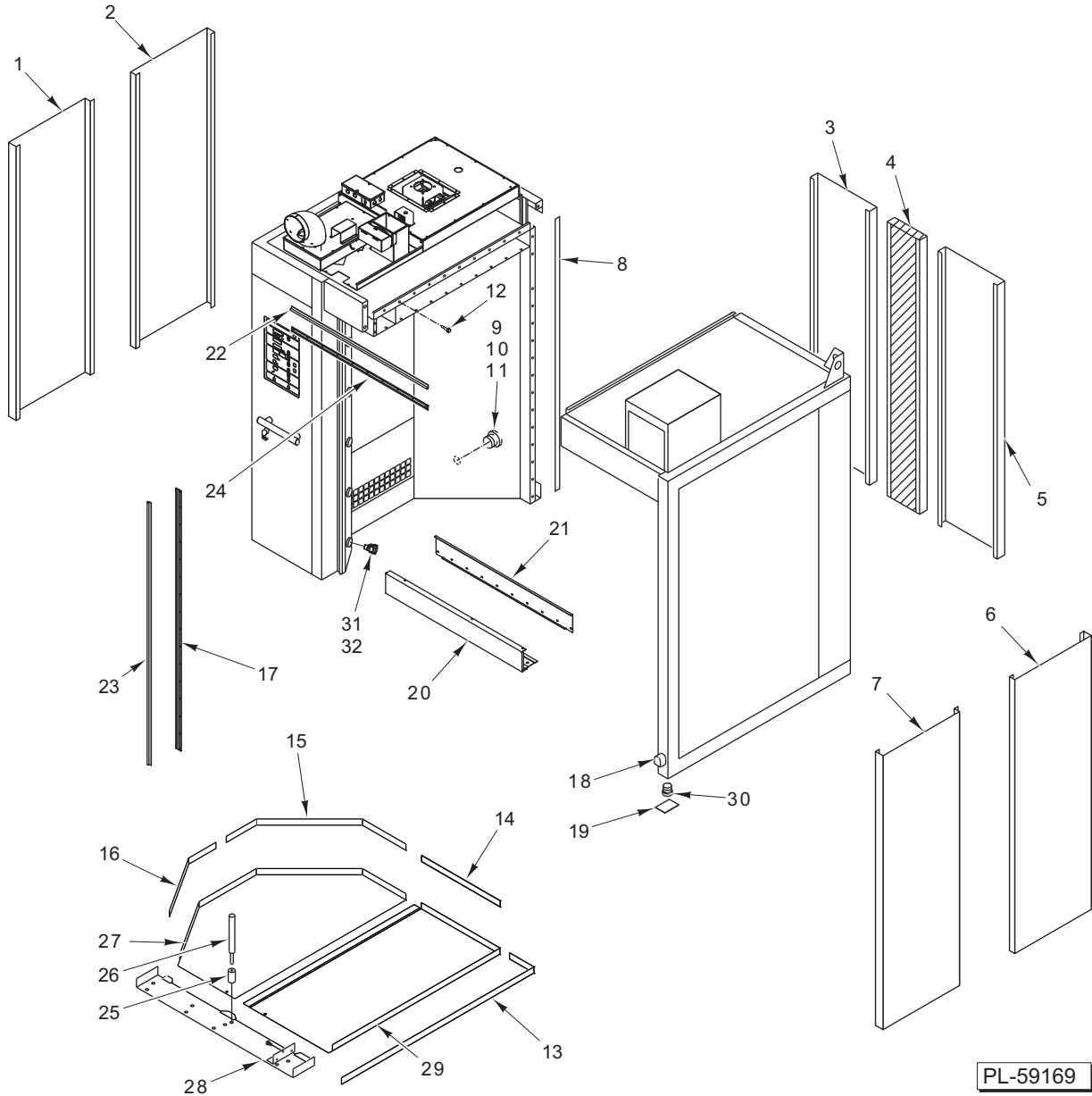
CABINET (ML-132500)

CABINET (ML-132500)

ILLUS. PL-59170	PART NO.	NAME OF PART	AMT.
1	01-1M5672-00002	Skin – Outer.....	1
2	01-1M5672-00001	Skin – Outer.....	1
3	01-1M5672-00002	Skin – Outer.....	1
4	01-1M5672-00001	Skin – Outer.....	1
5	01-1M5672-00002	Skin – Outer.....	1
6	01-1M5672-00001	Skin – Outer.....	1
*7	01-100V21-0065A	Tape – Fiberglass With Adhesive.....	AR
8	01-1000V4-00283	Mach. Screw 1/4-20 x 3/4 Hex Washer Hd. (SST).....	AR
9	01-1M5460-00001	Panel – False Ceiling (LH).....	1
10	01-1M5460-00002	Panel – False Ceiling (RH).....	1
11	01-100V16-0789C	Gasket – Loading Door (Horizontal).....	1
12	01-100V17-00266	Bushing 3/8 NPT x 3/4 NPT (Brass).....	1
13	01-1000V7-00027	Lamp – Oven (Complete) (Lens And Base).....	5
14	01-1000V7-00028	Bulb.....	AR
15	01-1M6119-00103	Cover – Bottom Header.....	1
16	01-1M6159-00101	Retainer – Gasket Loading Door (Vertical).....	2
17	01-1M6159-00103	Retainer – Gasket Horizontal.....	1
18	01-1M6119-00101	Header – Top Door Loading.....	1
19	01-100V17-00302	Elbow 3/8 x 90 Deg.	1
20	01-1M5610-00201	Shim.....	1
21	01-100V17-00259	Plug – Pipe 3/8 NPT (Brass).....	1
**22	01-1M5872-00101	Trim – Floor (Right).....	1
**23	01-1M5872-00102	Floor Trim (Rear).....	1
**24	01-1M5872-00103	Floor Trim (Left).....	1
25	01-1000V4-00283	Mach. Screw 1/4-20 x 3/4 Hex Washer Hd. (SST).....	AR
26	01-1000V4-0073A	Tool – Setting (1/4 In.).....	1
27	01-1000V4-00073	Anchor – Drop-In.....	1
28	01-1M5869-00001	Floor – Single.....	1
29	01-1M6116-00001	Ramp Lock – Weldment.....	2
30	01-100V16-0789A	Gasket – Loading Door (Vertical).....	2
	01-1M2335-00001	Wheel – Forward (For Installation Only).....	1
	01-1M5872-00001	Floor Trim Kit (With Gasket 01-100V21-00073) (Incls. Items 22, 23, & 24).....	1
*	01-100V21-00073	Tape – Silicone Sponge (Use With Items 22, 23, & 24).....	AR
	01-1000V4-00074	Mach. Screw 1/4-20 x 3/4 Phil. Flat Hd.	4
	01-1M5872-00001	Kit – Floor Trim (Single) (Incls. Items 22, 23, & 24).....	1

*Sold Per Inch.

**Gaskets are not included with floor trim parts, please order #01-100V21-00073 separately, or order floor kit #01-1M5872-00001.



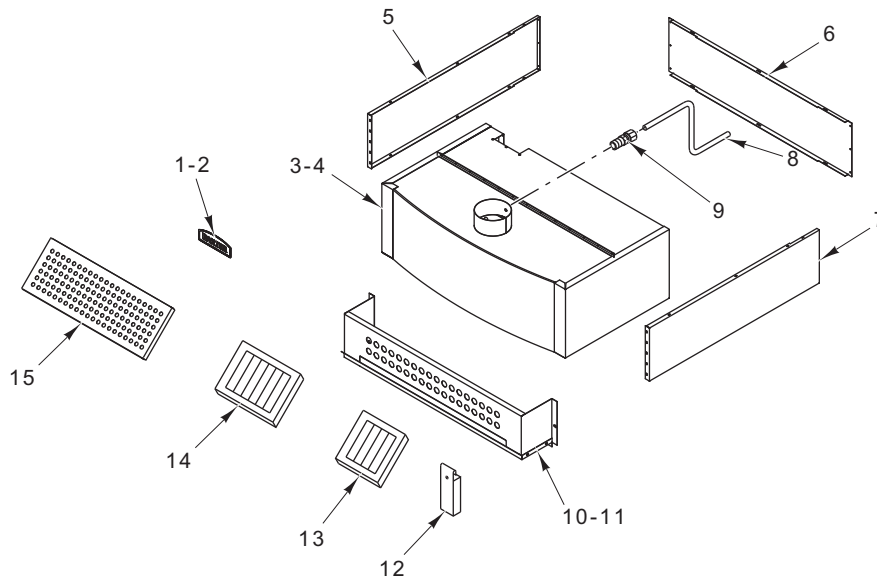
PL-59169

CABINET (ML-132498)

CABINET (ML-132498)

ILLUS. PL-59169	PART NO.	NAME OF PART	AMT.
1	01-1M5672-00003	Skin – Outer (Non-Symmetrical Flanges) (31 In.).....	1
2	01-1M5672-00001	Skin – Outer (Symmetrical Flanges) (20 In.)	1
3	01-1M5672-00004	Skin – Outer Drain	1
4	01-1M5672-00005	Panel – Outer Wall Split.....	1
5	01-1M5672-00001	Skin – Outer Side.....	1
6	01-1M5672-00001	Skin – Outer (Symmetrical Flanges) (31 In.)	1
7	01-1M5672-00003	Skin – Outer (Non-Symmetrical Flanges) (20 In.).....	1
*8	01-100V21-0065A	Tape (With Adhesive).....	AR
9	01-100V17-00509	Pipe – Close (3/4 In.).....	1
10	01-100V17-00233	Pipe 6 1/2 x 1/2	1
11	01-100V17-00540	Plug (3/4 In.) (Brass)	1
12	01-1000V4-00283	Mach. Screw 1/4-20 x 3/4 Hex Washer Hd. (SST).....	AR
13	01-1M6006-00001	Trim – Floor Assy. (RH).....	1
14	01-1M6006-00002	Trim Assy. – Rear Floor	1
15	01-1M6006-00003	Trim – Rear Floor (Left Rear).....	1
16	01-1M6006-00004	Trim – Front Floor (Left Front)	1
17	01-1M6159-00101	Retainer – Gasket Loading Door	2
18	01-100V17-00302	Elbow 3/8 x 90 Deg. (Front Drain).....	1
19	01-1M5610-00201	Shim.....	AR
20	01-1M6119-00201	Header – Loading Door Top.....	1
21	01-1M6119-00203	Cover – Header Bottom	1
22	01-100V16-0789B	Gasket – Loading Door (Horizontal)	1
23	01-100V16-0789A	Gasket – Loading Door (Vertical).....	2
24	01-1M6159-00102	Retainer – Gasket Horizontal.....	1
25	01-1000V4-00073	Anchor – Drop-In	1
26	01-1000V4-0073A	Tool – Setting (1/4 In.)	1
27	01-1M5928-00201	Skin – Floor (LH).....	1
28	01-1M5570-00001	Threshold Weldment.....	1
29	01-1M5928-00202	Skin – Floor (RH).....	1
30	01-100V17-00259	Plug – Pipe 3/8 NPT (Brass)	1
31	01-1000V7-00027	Lamp – Oven (Complete) (Lens And Base).....	5
32	01-1000V7-00028	Bulb.....	AR
	01-1M2335-00001	Wheel – Forward (For Installation Only).....	1
	01-1M6062-00002	Skin – False Ceiling (LH).....	1
	01-1M2131-00007	Skin – False Ceiling (RH)	1
	01-1M2549-00001	Insulation Kit – Double Split.....	1
	01-1M2549-00002	Insulation Kit – Single Split	1
	01-1M5610-00002	Kit – Threshold Weldment (With Install Hardware).....	1

*Sold Per Foot.

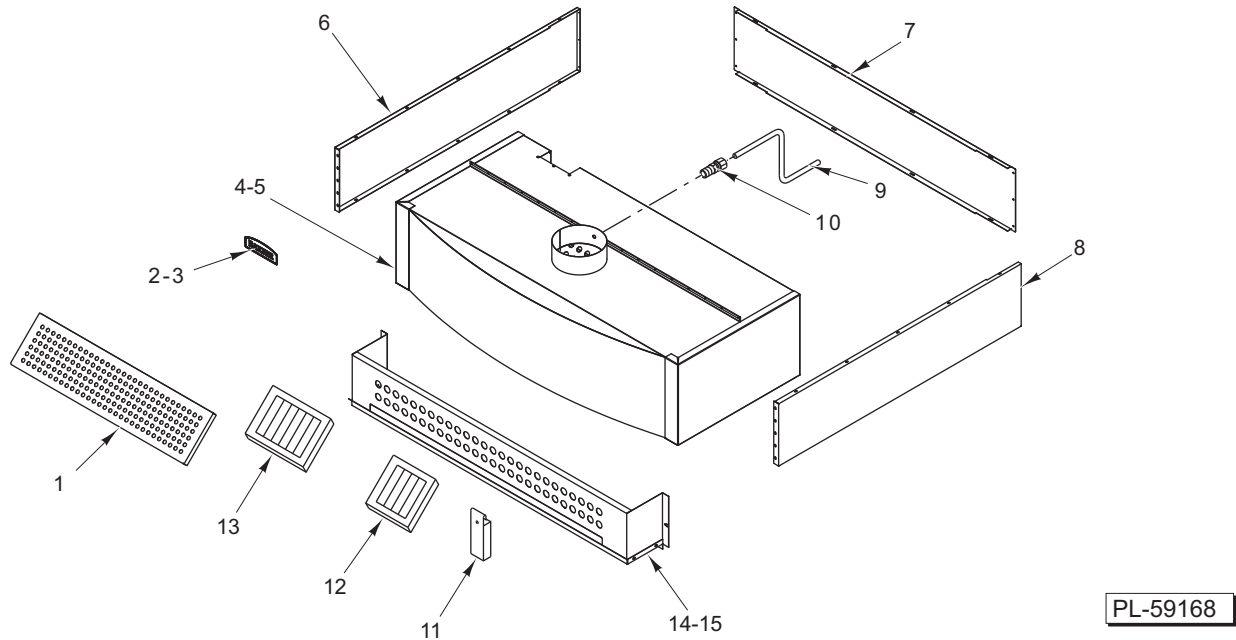


PL-59167

HOOD (ML-132500)

ILLUS.	PART NO.	NAME OF PART	AMT.
	PL-59167		
1	01-100V16-0772A	Nameplate – Baxter (9 In.).....	1
2	01-100V16-0772B	Nameplate – Baxter Curved (9 In.).....	1
3	01-1M6200-00001	Hood – Flat Front (30 In. Deep) Single (Incls. Items 1, 5, 6, & 7).....	1
4	01-1M6200-00003	Hood – Curved Front (30 In.) (Incls. Items 2, 5, 6, & 7).....	1
5	01-1M6115-00101	Trim – Hood Side Single.....	1
6	01-1M5352-00001	Trim – Rear.....	1
7	01-1M6115-00101	Trim – Hood Side Single.....	1
*8	01-100V17-00004	Tube 1/4 O.D. x 72 In. Lg. (Alum.).....	1
9	FP-078-49	Fitting – Tube (1/4 In.) (Brass).....	1
10	01-1M6113-00106	Baffle – Hood Panel Body.....	1
11	01-1M6113-00107	Baffle – Hood Panel Body.....	1
12	01-1M3032-00001	Cup – Hood Grease.....	1
13	01-100V18-00089	Filter – Hood 16 x 20 With Drop.....	1
14	01-100V18-00088	Filter – Hood 16 x 16 With Drop.....	2
15	1-1M6113-00103	Panel – Plenum Hood Single.....	1
	01-1M5931-00001	Kit – Grease Filter (Single) (Incls. Items 12, 13, & 14).....	1

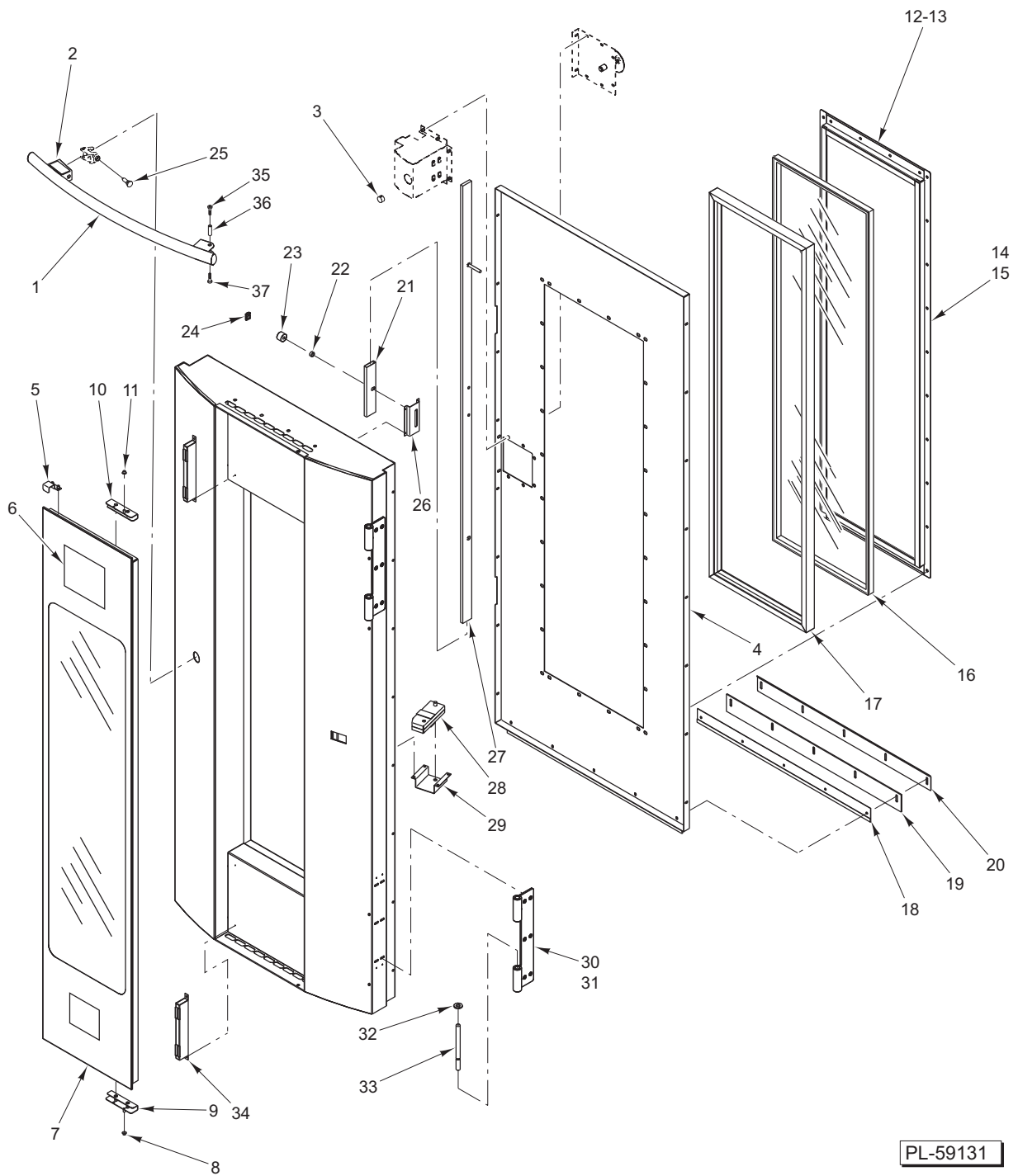
*Sold Per Inch



HOOD (ML-132498)

ILLUS.	PART NO.	NAME OF PART	AMT.
PL-59168			
1	01-1M6113-00213	Plenum – Panel Box	1
2	01-100V16-0772A	Nameplate –Baxter (9 In.).....	1
3	01-100V16-0772B	Nameplate – Baxter Curved (9 In.).....	1
4	01-1M6200-00002	Hood – Flat Front (30 In. Deep) Double (Incls. Items 1, 2, 6, 7, & 8)	1
5	01-1M6200-00004	Hood – Curved Front (30 In. Deep) Double (Incls. Items 3, 6, 7, & 8).....	1
6	01-1M6115-00201	Trim – Side.....	1
7	01-1M6115-00202	Trim – Rear.....	1
8	01-1M6115-00201	Trim – Side.....	1
*9	01-100V17-00004	Tube 1/4 O.D. x 72 In. Lg. (Alum.).....	1
10	FP-078-49	Fitting – Tube (1/4 In.) (Brass).....	1
11	01-1M3032-00001	Cup – Hood Grease.....	1
12	01-100V18-00089	Filter – Hood 16 x 20 With Drop	1
13	01-100V18-00088	Filter – Hood 16 x 16 With Drop	3
14	01-1M6113-00211	Baffle – Hood Panel Body.....	1
15	01-1M6113-00212	Baffle – Hood Panel Body.....	1
	01-1M5931-00002	Kit – Grease Filter (Double) (Incls. Items 11, 12, & 13)	1

*Sold Per Inch



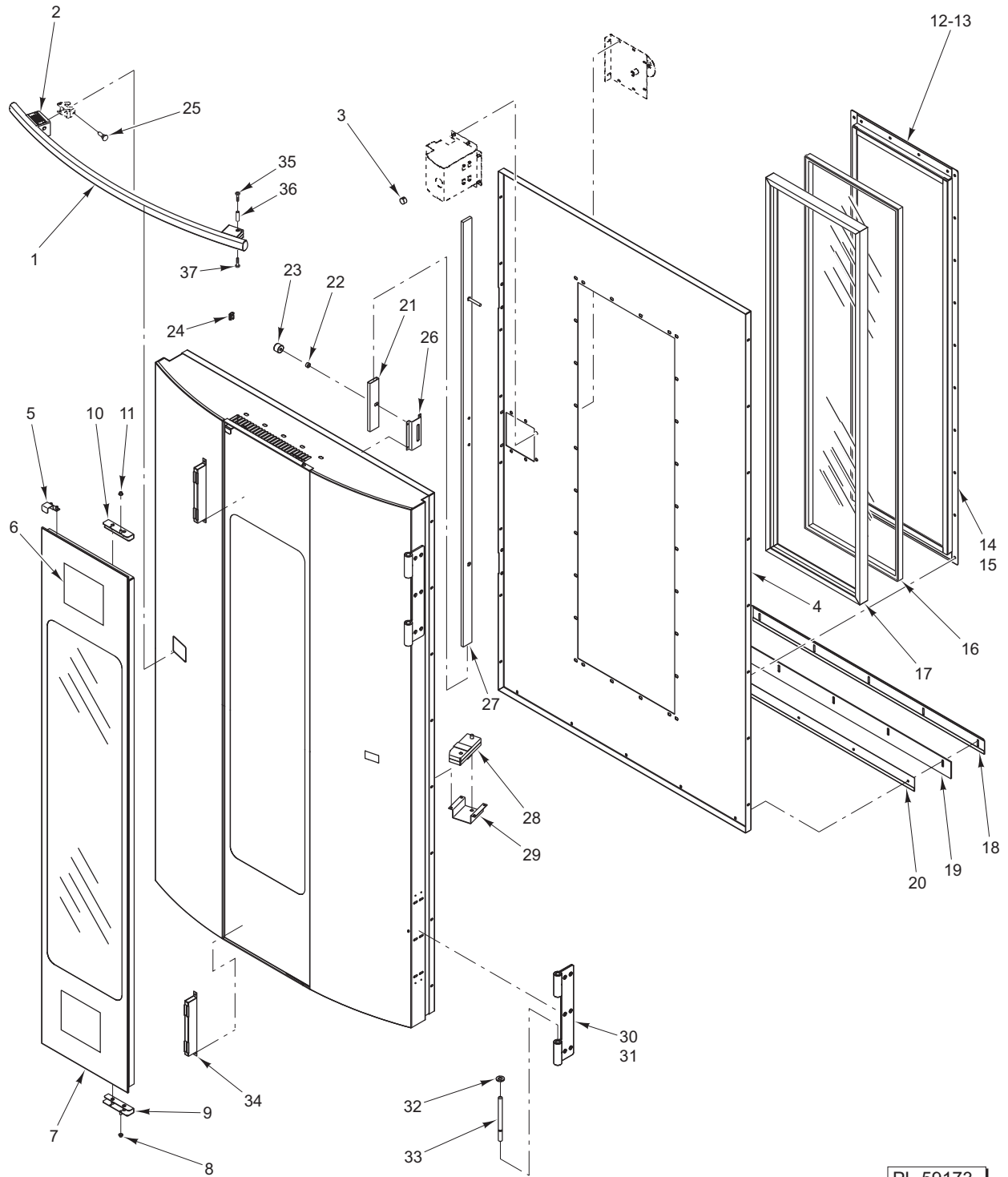
LOADING DOOR (ML-132500)

LOADING DOOR (ML-132500)

ILLUS. PL-59131	PART NO.	NAME OF PART	AMT.
1	01-1M6103-00001	Handle – Loading Door (Incls. Items 2 & 25).....	1
2	01-100V16-00259	Label – Warning.....	2
3	01-1M6101-00102	Plug – Handle Mount.....	1
4	01-1M6101-00101	Skin – Inner Door.....	1
5	01-1M6110-00005	Bracket.....	1
6	01-100V16-0168C	Label – Caution Hot.....	4
7	01-1M6110-00001	Door – Access Loading Glass (Incls. Items 5, 6, 9, & 10).....	1
8	01-1000V0-00095	Bearing – Glass Pivot Sleeve.....	1
9	01-1M6110-00002	Pivot – Bottom.....	1
10	01-1M6110-00003	Pivot – Top.....	1
11	01-1000V0-00095	Bearing – Glass Pivot Sleeve.....	1
12	01-1M6106-00002	Retainer – Window Horizontal (Incls. Item 13).....	2
**13	01-100V21-0039A	Tape – Silicone Foam (1/8 x 3/4).....	10 In.
14	01-1M6105-00001	Retainer – Window Vertical (Incls. Item 15).....	2
**15	01-100V21-0039A	Tape – Silicone Foam (1/8 x 3/4).....	62 In.
16	01-100V16-00765	Glass – Double Pane Curved.....	1
*17	01-100V16-00766	Gasket – Window (One-Piece Fused Corners).....	1
18	01-1M6101-00112	Sweep – Inner Door.....	1
19	01-100V16-0779A	Gasket – Door Sweep.....	1
20	01-1M6101-00113	Sweep – Outer Door.....	1
21	01-1M6101-00110	Bearing – Lock Bar.....	2
22	01-1M6101-00111	Spacer – Roller Bearing.....	2
23	01-1000V0-00094	Bearing – Door Latch Roller.....	2
24	01-1000V1-00078	Clip – E-Door (Cam Roller).....	2
25	01-100V18-00187	Plunger – Spring Handle Lock.....	1
26	01-1M6101-00109	Lock – Retainer Bar.....	2
27	01-1M6107-00001	Bar – Lock.....	2
28	01-1M6166-00001	Bracket – Handle Pivot.....	1
29	01-1M6166-00002	Support – Handle Pivot.....	1
30	01-1M5918-00002	Hinge Assy. – Jamb Hinge (Incls. Item 31, 32, & 33).....	2
31	01-1M5918-00001	Hinge – Door (Female).....	2
32	01-1000V0-00080	Bearing – Door Hinge (Brass).....	4
33	01-1M5918-00201	Pin – Hinge Loading Door.....	4
34	01-1M6149-00001	Magnet – Outer Door Weldment.....	2
35	01-1000V4-00144	Mach. Screw 3/8 -16 x 1 Fil. Hd (SST).....	1
36	01-1M6101-00115	Pin – Handle Hinge (Curved).....	1
37	01-1000V4-00144	Mach. Screw 3/8 -16 x 1 Fil. Hd (SST).....	1
	01-1M6101-00001	Door Assy. (Incls. Items 1 thru 34 & 36).....	1
*	01-100V21-0065A	Tape – Fiberglass (1/8 x 1).....	18 Ft.

*Sold Per Foot.

**Sold Per Inch.



PL-59173

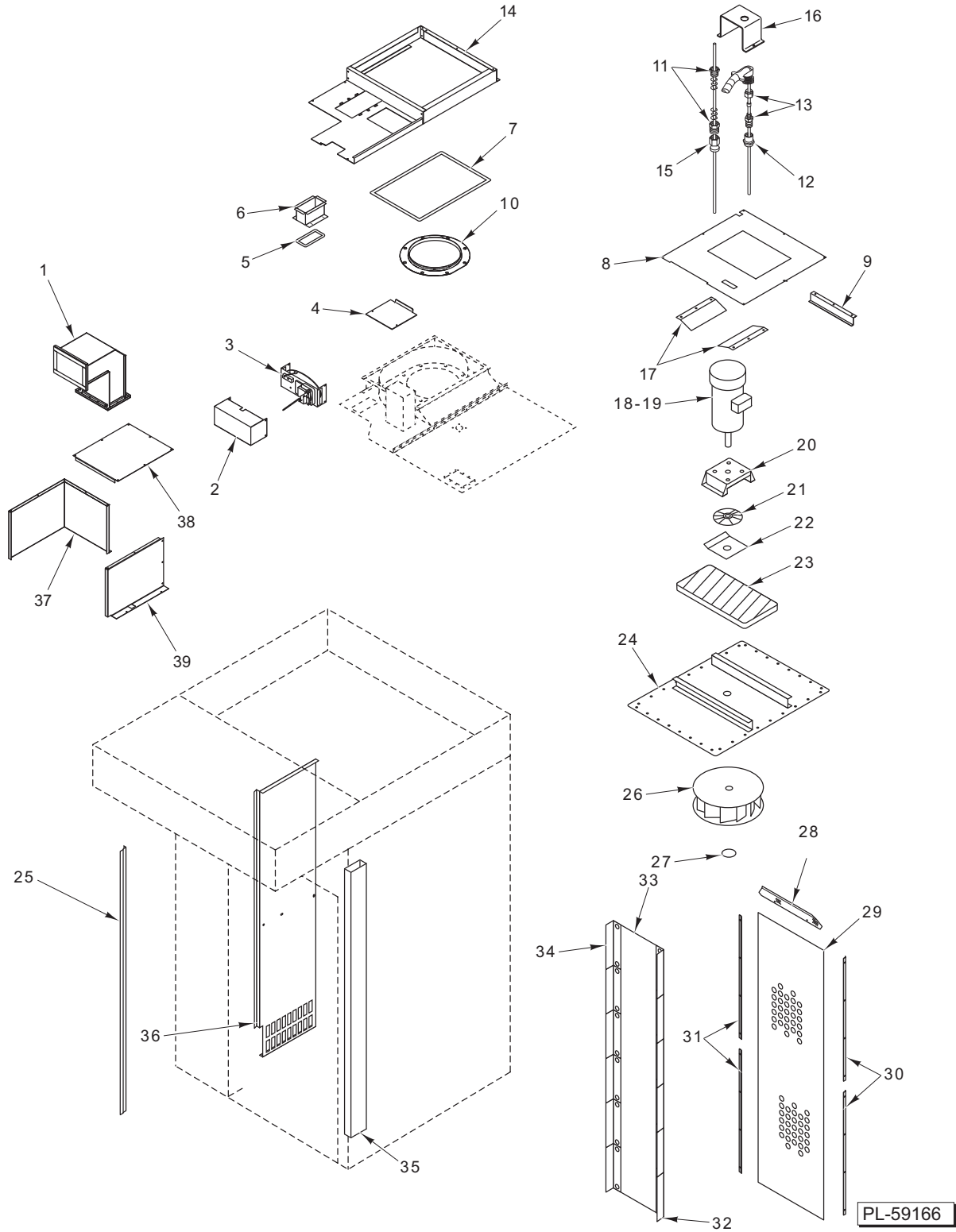
LOADING DOOR (ML-132498)

LOADING DOOR (ML-132498)

ILLUS. PL-59173	PART NO.	NAME OF PART	AMT.
1	01-1M6103-00002	Handle – Loading Door (Incls. Items 2 & 25).....	1
2	01-100V16-00259	Label – Warning.....	2
3	01-1M6101-00102	Plug – Handle Mount.....	1
4	01-1M6101-00201	Skin – Inner Door.....	1
5	01-1M6110-00005	Bracket.....	1
6	01-100V16-0168C	Label – Caution Hot.....	4
7	01-1M6110-00001	Door – Access Loading Glass (Incls. Items 5, 6, 9, & 10).....	1
8	01-1000V0-00095	Bearing – Glass Pivot Sleeve.....	1
9	01-1M6110-00002	Pivot – Bottom.....	1
10	01-1M6110-00003	Pivot – Top.....	1
11	01-1000V0-00095	Bearing – Glass Pivot Sleeve.....	1
12	01-1M6106-00002	Retainer – Window Horizontal (Incls. Item 13).....	2
**13	01-100V21-0039A	Tape – Silicone Foam (1/8 x 3/4).....	10 In.
14	01-1M6105-00001	Retainer – Window Vertical (Incls. Item 15).....	2
**15	01-100V21-0039A	Tape – Silicone Foam (1/8 x 3/4).....	62 In.
16	01-100V16-00765	Glass – Double Pane Curved.....	1
*17	01-100V16-00766	Gasket – Window (One-Piece Fused Corners).....	1
18	01-1M6101-00203	Sweep – Outer Door.....	1
19	01-100V16-0779B	Gasket – Door Sweep.....	1
20	01-1M6101-00202	Sweep – Inner Door.....	1
21	01-1M6101-00110	Bearing – Lock Bar.....	2
22	01-1M6101-00111	Spacer – Roller Bearing.....	2
23	01-1000V0-00094	Bearing – Door Latch Roller.....	2
24	01-1000V1-00078	Clip – E-Door (Cam Roller).....	2
25	01-100V18-00187	Plunger – Spring Handle Lock.....	1
26	01-1M6101-00109	Lock – Retainer Bar.....	1
27	01-1M6107-00001	Bar – Lock.....	1
28	01-1M6166-00001	Bracket – Handle Pivot.....	1
29	01-1M6166-00002	Support – Handle Pivot.....	1
30	01-1M5918-00002	Hinge Assy. – Jamb Hinge (Incls. Item 31, 32, & 33).....	2
31	01-1M5918-00001	Hinge – Door (Female).....	2
32	01-1000V0-00080	Bearing – Door Hinge (Brass).....	4
33	01-1M5918-00201	Pin – Hinge Loading Door.....	4
34	01-1M6149-00002	Magnet – Outer Door Weldment (Double).....	2
35	01-1000V4-00144	Mach. Screw 3/8 -16 x 1 Fil. Hd (SST).....	1
36	01-1M6101-00115	Pin – Handle Hinge (Curved).....	1
37	01-1000V4-00144	Mach. Screw 3/8 -16 x 1 Fil. Hd (SST).....	1
	01-1M6101-00002	Door Assy. (Incls. Items 1 thru 34 & 36).....	1
*	01-100V21-0065A	Tape – Fiberglass (1/8 x 1).....	18 Ft.

*Sold Per Foot.

**Sold Per Inch.



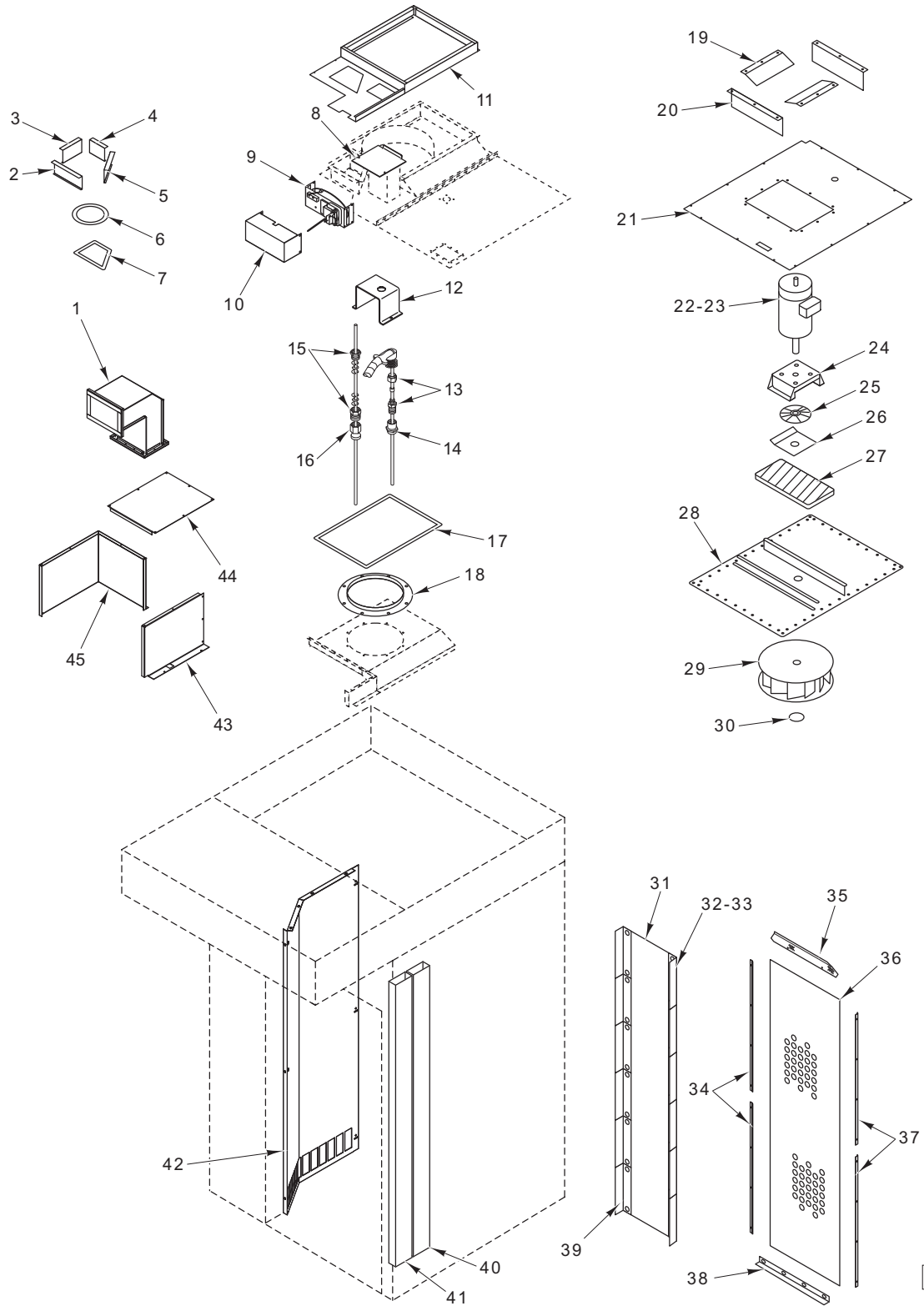
BLOWER, PANELS, AND VENTS (ML-132500)

PL-59166

BLOWER, PANELS, AND VENTS (ML-132500)

ILLUS. PL-59166	PART NO.	NAME OF PART	AMT.
1	01-1M6170-00001	Duct – Vent	1
2	01-1M5101-00002	Cover – Vent Bracket.....	1
3	01-1M5514-00002	Vent – Motor Actuator Assy.....	1
4	01-1M5834-00001	Vent – Intake Lid	1
*5	01-100V21-00072	Rope – Glass 3/4 In. Dia.	AR
6	01-1M5462-00001	Rope Gasket – Weldment.....	1
*7	01-100V21-0065A	Tape – Teflon 1/8 x 1	AR
8	01-1M5542-00001	Cover – Blower Insulation.....	1
9	01-1M2227-00001	Liner – Blower Insulation	2
10	01-1M2451-00001	Bell – Inlet	1
11	01-100V17-00304	Kit – Stuffing Box	1
12	01-100V17-00257	Coupling 1/4 NPT (Brass).....	1
13	01-100V17-00279	Fitting 1/4 x 3/16	1
14	01-1M6141-00001	Body – Insulation Blower Cover (LH).....	1
15	01-100V17-00281	Coupler – Reducer.....	1
16	01-1M1433-00001	Protector – Thermocouple	1
17	01-1M1895-00001	Cover – Blower Insulation.....	2
18	01-1000V8-00052	Motor – Blower (3 Ph., 1 1/2 Hp.).....	1
19	01-1000V8-00067	Motor – Blower (1 Ph., 2 Hp.).....	1
20	01-1M1360-00001	Mount – Blower Motor.....	1
21	01-1M2458-00001	Heat Slinger Assy.....	1
22	01-1M1794-00001	Cover – Blower Insulation.....	1
23	01-1M1795-00001	Insulation – Blower	1
24	01-1M2059-00001	Mount – Blower Weldment.....	1
25	01-1M5476-00001	Bracket – Mounting (Suction Panel).....	1
26	01-1000V8-00041	Wheel – Blower (15 In. Dia.).....	1
27	01-1000V1-00028	Ring – Snap	1
28	01-1M2101-00004	Z-Bar (Pressure Panel).....	1
29	01-1M2572-00001	Screen – Pressure Panel.....	1
30	01-1M2479-00002	Retainer – Pressure Screen (RH).....	2
31	01-1M2479-00003	Retainer – Pressure Screen (LH)	2
32	01-1M5459-00002	Shutter – Pressure Panel 97 Deg.....	6
33	01-1M5523-00001	Body – Pressure Panel Shutter Support.....	1
34	01-1M5459-00001	Shutter – Pressure Panel 90 Deg. (#2 Bend At 7 Deg.)	6
35	01-1M2089-00001	Duct – Bottom Vent.....	1
36	01-1M5473-00001	Panel – Suction.....	1
37	01-1M2223-00001	Duct – Body	1
38	01-1M2224-00001	Duct – Top.....	1
39	01-1M2222-00001	Duct – Side	1
	01-1M2060-00002	Blower Assy. (3 Ph.) (Incls. Items 18, 20 thru 24, 26, & 27).....	1
	01-1M2060-00004	Blower Assy. (1 Ph.) (Incls. Items 19 thru 24, 26, & 27).....	1
	01-1M5827-0001A	Vent Switch – Replacement Kit.....	1
	01-1M5827-00101	Bracket – Vent Switch.....	1
	01-100V16-00682	Gasket – Vent Duct.....	1
	01-1000V6-00233	Contacto – Blower	1
	01-1M5458-00001	Panel – Pressure Shutter Assy. (Incls. Items 32, 33, & 34)	1
	01-1M5515-00001	Thermocouple Assy. – Conduit	1

* Sold Per Inch



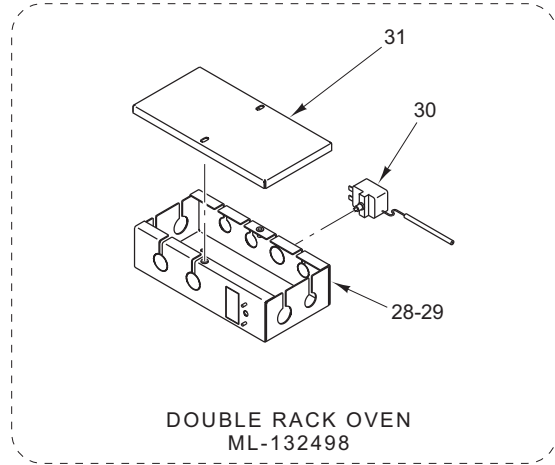
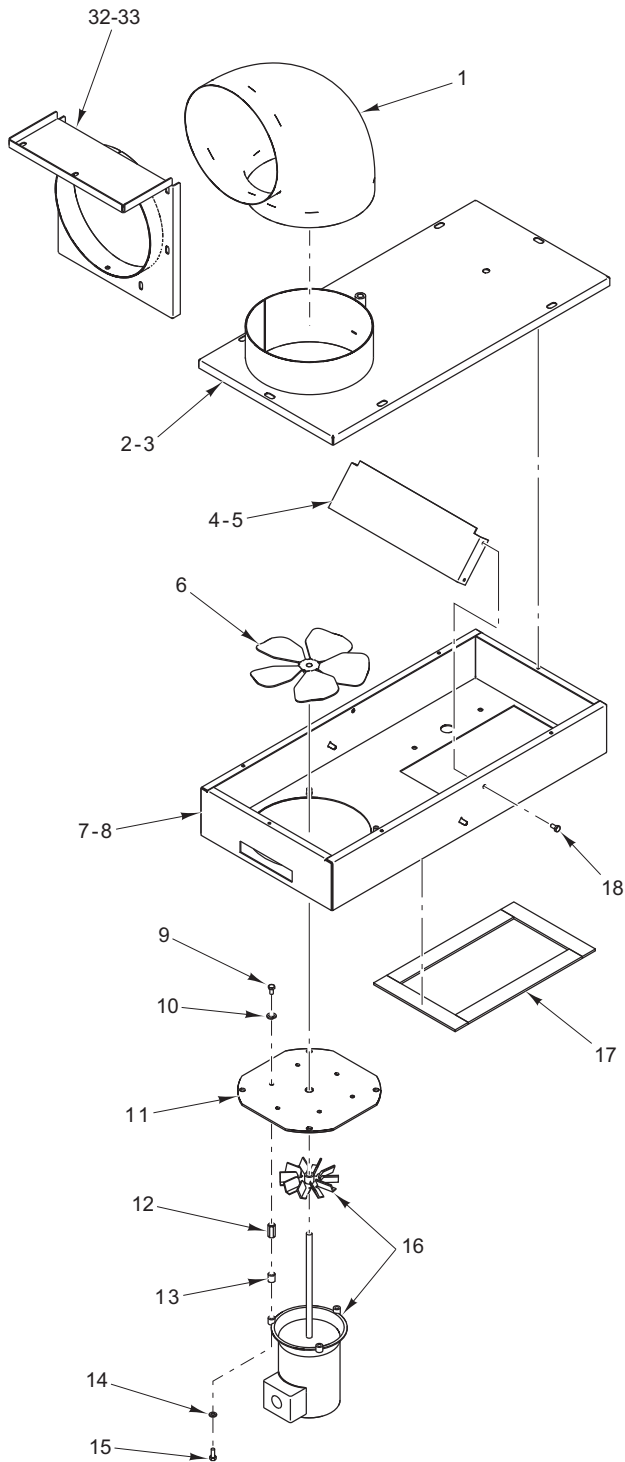
PL-59165

BLOWER, PANELS, AND VENTS (ML-132498)

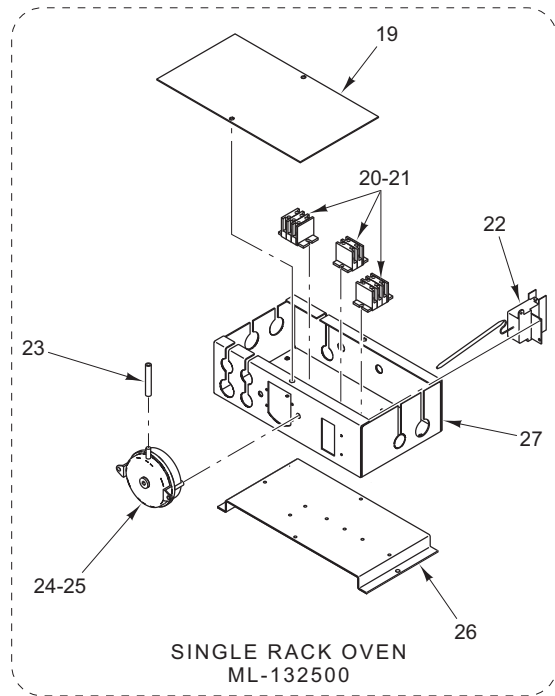
BLOWER, PANELS, AND VENTS (ML-132498)

ILLUS.	PART NO.	NAME OF PART	AMT.
	PL-59165		
1	01-1M6170-00001	Duct – Vent Top.....	1
2	01-1M5015-00001	Retainer – Exhaust Stack Packing	1
3	01-1M5015-00004	Retainer – Exhaust Stack Packing	1
4	01-1M5015-00003	Retainer – Exhaust Stack Packing	1
5	01-1M5015-00002	Retainer – Exhaust Stack Packing	1
*6	01-100V21-00072	Rope – Glass 3/4 In. Dia.	AR
7	01-1M5982-00204	Collector (Top Gap Filler).....	1
8	01-1M5834-00001	Vent – Intake Lid	1
9	01-1M5514-00002	Vent – Motor Actuator Assy.	1
10	01-1M5101-00001	Cover – Vent Bracket.....	1
11	01-1M6141-00002	Body – Insulation Blower Cover Double (LH)	1
12	01-1M1433-00001	Protector – Thermocouple	1
13	01-100V17-00279	Fitting 1/4 x 3/16	1
14	01-100V17-00257	Coupling 1/4 NPT (Brass).....	1
15	01-100V17-00304	Kit – Stuffing Box	1
16	01-100V17-00281	Coupler – Reducer.....	1
*17	01-100V21-0065A	Tape – Teflon 1/8 x 1	AR
18	01-1M2451-00002	Bell – Inlet	1
19	01-1M1895-00001	Cover – Blower Insulation.....	2
20	01-1M2227-00001	Liner – Blower Insulation Cover.....	2
21	01-1M6154-00201	Cover – Blower Insulation.....	1
22	01-1000V8-00052	Motor – Blower (3 Ph., 1 1/2 Hp.).....	1
23	01-1000V8-00067	Motor – Blower (1 Ph., 2 Hp.).....	1
24	01-1M1360-00001	Mount – Blower Motor.....	1
25	01-1M2458-00001	Heat Slinger Assy.....	1
26	01-1M1794-00001	Cover – Blower Insulation.....	1
27	01-1M1795-00001	Insulation – Blower	1
28	01-1M5026-00001	Mount – Blower Weldment.....	1
29	01-1000V8-00058	Wheel – Blower (18 In. Dia.).....	1
30	01-1000V1-00028	Ring – Snap	1
31	01-1M2096-00002	Body – Shutter Panel Support	1
32	01-1M5459-00002	Shutter – Pressure Panel.....	6
33	01-1000V4-00122	Insert – Threaded 1/4-20	24
34	01-1M5686-00206	Retainer – Pressure Panel.....	2
35	01-1M5686-00207	Retainer – Pressure Panel Top	1
36	01-1M2572-00001	Screen – Pressure Panel.....	1
37	01-1M5686-00206	Retainer – Pressure Panel.....	2
38	01-1M5686-00205	Retainer – Pressure Panel.....	1
39	01-1M5459-00001	Shutter – Pressure Panel.....	6
40	01-1M2566-00001	Duct – Side (With Obrounds).....	1
41	01-1M2089-00001	Duct – Bottom Vent (Without Obrounds)	1
42	01-1M6063-00002	Panel – Suction.....	1
43	01-1M2222-00001	Duct – Side	1
44	01-1M2224-00001	Duct – Top.....	1
45	01-1M2223-00001	Duct – Body	1
	01-1M5025-00001	Blower Assy. (3 Ph.) (Incls. Items 22 & 24 thru 30).....	1
	01-1M5025-00002	Blower Assy. (1 Ph.) (Incls. Items 23 & 24 thru 30).....	1
	01-1M5177-00001	Pressure Panel Assy. (Incls. Items 31, 32, 33, & 39).....	1
	01-100V16-00682	Gasket – Vent Duct.....	1
	01-1M5827-0001A	Kit – Vent Switch Replacement.....	1

* Sold Per Inch.



DOUBLE RACK OVEN
ML-132498



SINGLE RACK OVEN
ML-132500

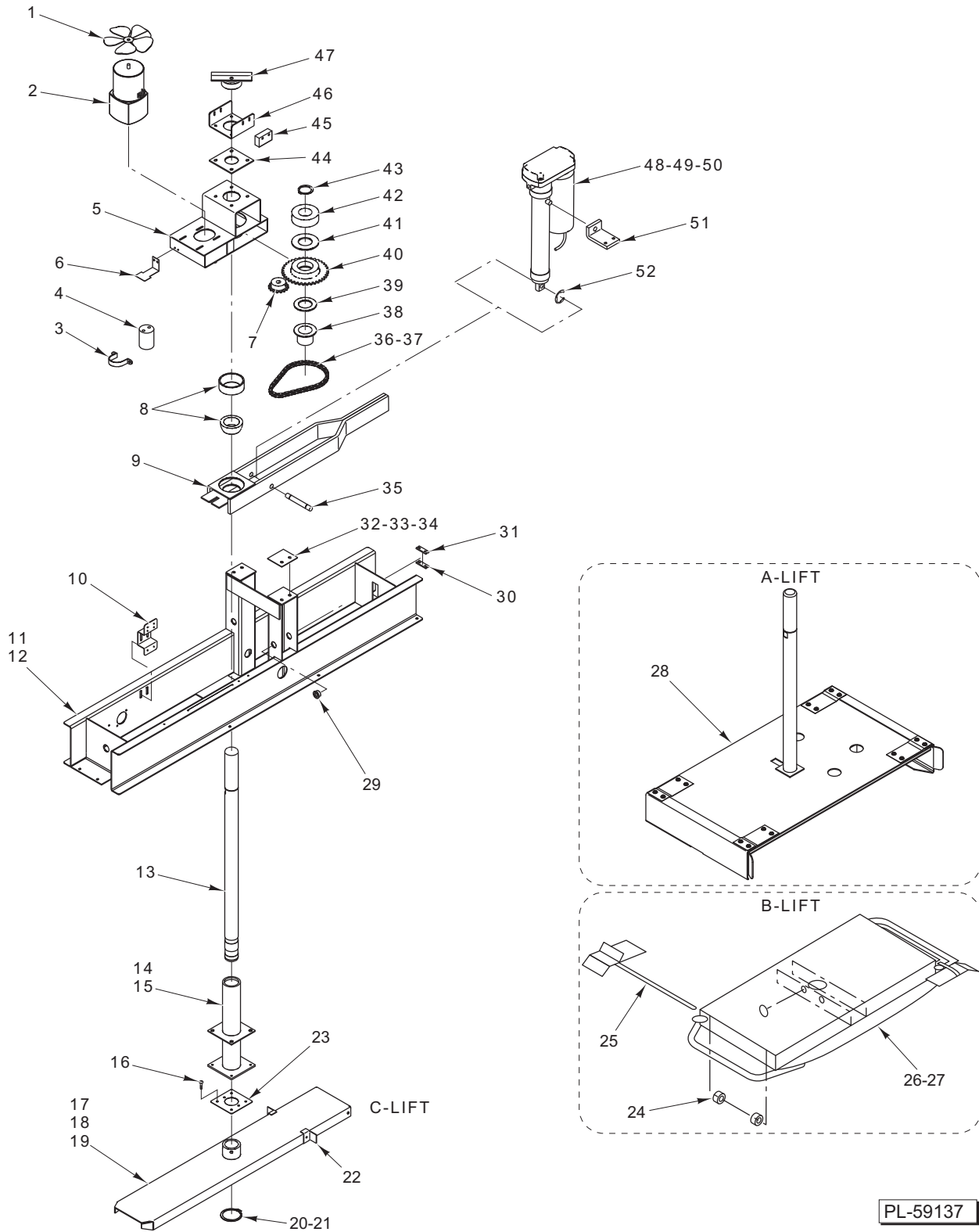
PL-59140

DRAFT INDUCER

DRAFT INDUCER

ILLUS.	PART NO.	NAME OF PART	AMT.
PL-59140			
1	01-1000V9-00172	Elbow (90 Deg.) (7 In.).....	1
2	01-1M5656-00001	Cover Assy. – Draft Inducer (ML-132500).....	1
3	01-1M5656-00002	Cover Assy. – Draft Inducer (ML-132498).....	1
4	01-1M5657-00001	Damper – Draft Inducer (ML-132500).....	1
5	01-1M5657-00002	Damper – Draft Inducer (ML-132498).....	1
6	01-1000V8-00121	Blade – Fan	1
7	01-1M5655-00001	Box – Draft Inducer (ML-132500)	1
8	01-1M5655-00002	Box – Draft Inducer (ML-132498)	1
9	-	Mach. Screw 10-32 x 3/8 Hex Hd. (SST)	AR
10	-	Lockwasher 10-32	AR
11	01-1M5653-00001	Plate – Draft Inducer Fan Mounting.....	1
12	01-1M3001-00003	Spacer – PC Board.....	AR
13	01-1000V5-00220	Bushing – Spacer	3
14	-	Lockwasher 10-32	AR
15	-	Mach. Screw 10-32 x 1.00 Hex Hd. (SST).....	AR
16	01-1000V8-00133	Motor – Fan (3000 RPM).....	1
*17	01-100V21-0065A	Tape – Woven Fiber (ML-132500).....	AR
18	-	Mach. Screw 10-32 x 5/8 Hex Hd. (SST)	AR
19	01-1M5443-00001	Cover – Junction Box (ML-132500)	1
20	01-1000V5-00105	Terminal – Section (ML-132500).....	AR
21	01-1000V6-00106	End – Section (ML-132500).....	AR
22	01-1000V6-00290	Thermostat – High Limit (608 Deg.).....	1
23	01-100V17-00606	Tube (Norprene)	1
24	01-1M5973-00001	Switch – Pressure (180 kBTU, 60 Hz.) (300 kBTU, 60 Hz.)	1
25	01-1M5651-00022	Switch – Pressure (300 kBTU, 50 Hz.) (350 kBTU, 60 Hz.)	1
26	01-1M5441-00001	Panel – Junction Box (ML-132500)	1
27	01-1M5442-00002	Junction Box – Frame (ML-132500)	1
28	01-1M5684-00001	Junction Box – Frame (ML-132498)	1
29	01-1M5525-00001	Junction Box – Electric (ML-132498).....	1
30	01-1000V6-00290	Thermostat – High Limit (608 Deg.).....	1
31	01-1M5525-00106	Cover – Junction Box.....	1
32	01-1M5925-00001	Hood Connection – Draft Inducer (ML-132500).....	1
33	01-1M5925-00002	Hood Connection – Draft Inducer (ML-132498).....	1
	01-1M5652-00002	Motor Assy. – Draft Inducer (Incls. Items 6, 13, 16, & 20).....	1
	01-1M5654-00001	Draft Inducer Assy. (Incls. Items 2, 4, 6, 7, & 9 thru 18) (ML-132500).....	1
	01-1M5654-00002	Draft Inducer Assy. (Incls. Items 3, 5, 6, 8, & 8 thru 19) (ML-132498).....	1

* Sold Per Foot.

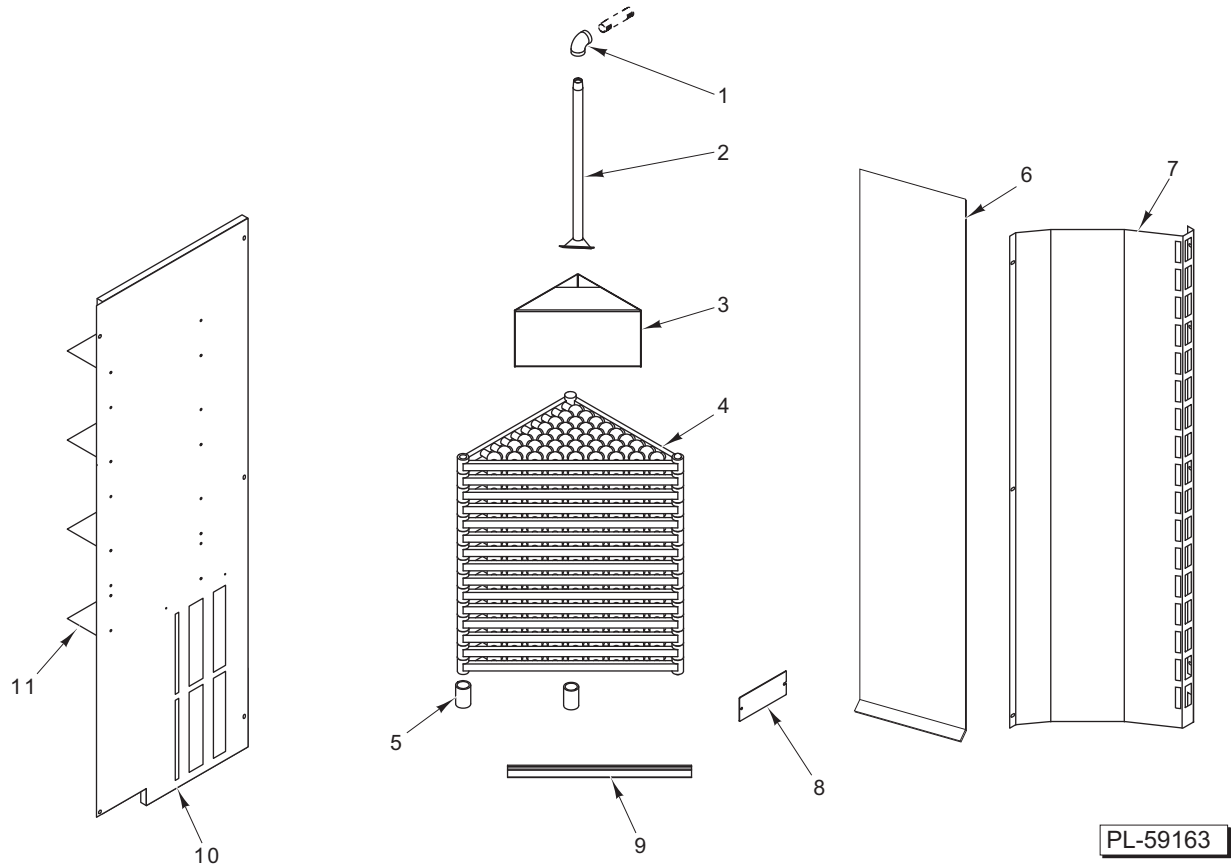


LIFTER, ROTATOR, AND CARRIER

LIFTER, ROTATOR, AND CARRIER

ILLUS. PL-59137	PART NO.	NAME OF PART	AMT.
1	01-1000V8-00056	Blade – Fan 5½ In. Dia.....	1
2	01-1000V8-00110	Gear Motor.....	1
3	01-1000V8-0049D	Bracket – Mounting.....	1
4	01-1000V8-00111	Capacitor.....	1
5	01-1M2114-00001	Rotator – Weldment Lifter.....	1
6	01-1M2489-00001	Actuator – Micro-Switch.....	1
7	01-1000V3-00105	Sprocket.....	1
8	01-1000V0-00051	Bushing – Spherical.....	1
9	01-1M2304-00001	Arm.....	1
10	01-1M2296-00002	Bracket – Micro-Switch.....	1
11	01-1M2298-00001	Weldment – Lifter (ML-132500).....	1
12	01-1M2298-00002	Weldment – Lifter (ML-132498).....	1
13	01-1M2797-00001	Shaft (Standard 28.35 - 28.41).....	1
14	01-1M2140-00001	Housing – Rotator Shaft (Incls. Item 15).....	1
15	01-1000V0-00055	Bearing – Rotator Shaft.....	2
16	01-1000V4-00283	Mach. Screw ¼-20 x ¾ Hex Washer Hd. (SST).....	6
17	01-1M4862-00002	Rack – Carrier (C Style) (ML-132500).....	1
18	01-1M4862-00001	Rack – Carrier (C Style) (ML-132498).....	1
19	01-1M4862-00701	Lock – Carrier (Double Models Only) (Panera Bread Only).....	2
20	01-100V15-00048	Plug – Nickel Plated (For ¾ Hole) (B-Carriers).....	4
21	01-100V15-00047	Plug – Nickel Plated (For 1.25 Hole) (C-Carriers).....	2
22	01-1M4862-00201	Stop – Rack Carrier (C Style Carrier) (ML-132500).....	1
23	01-1M1899-00001	Clamp – Rotator Housing.....	2
24	01-1000V1-00013	Collar – Set (½ In.) (B-Carriers).....	4
25	01-1M2580-00002	Stop – Rack Carrier (B-Carriers).....	2
26	01-1M2796-00001	Rack – Carrier (B Style) (ML-132500).....	1
27	01-1M2796-00002	Rack – Carrier (B Style) (ML-132498).....	1
28	01-1M5363-00001	Rack – Carrier (A Style) (ML-132498).....	1
29	01-1000V5-00166	Bushing – Plastic Snap.....	1
30	01-1M2731-00001	Strip.....	1
31	01-1M2730-00001	Plate.....	1
*32	01-1M2766-00003	Shim (24 Ga. Steel).....	AR
*33	01-1M2766-00002	Shim (24 Ga. Steel).....	AR
*34	01-1M2766-00001	Shim (16 Ga. Steel).....	AR
35	01-1M2290-00001	Shaft – Pivot (Linear Actuator Support).....	1
36	01-1000V3-0087A	Chain – Roller 20⅛ In.....	1
37	01-1000V3-00088	Link – Connecting.....	1
38	01-1000V0-00054	Bearing – Flanged.....	1
39	01-1000V0-00068	Washer – Thrust.....	1
40	01-1M2228-00001	Sprocket.....	1
41	01-1M2265-00001	Clutch – Slide.....	1
42	01-1M2264-00001	Collar – Set.....	1
43	01-1000V1-00004	Ring – Snap (½ In.).....	1
44	01-1M1927-00001	Plate – Teflon.....	1
45	01-1000V6-00001	Micro-Switch.....	2
46	01-1M5085-00001	Plate – Rotator.....	1
47	01-1M5201-00001	Pointer.....	1
48	01-1000V8-00046	Linear Actuator (ML-132500).....	1
49	01-1000V8-00140	Actuator – Ball Drive (Incls. Item 50) (ML-132498).....	1
50	01-1000V8-0140A	Actuator – Ball Drive Capacitor.....	1
51	01-1M2289-00001	Angle – Linear Actuator Support.....	2
52	01-1000V1-00037	Ring – Snap ½ In. Dia.....	2
	01-1M5133-00001	Lifter Assy. (Incls. Items 8, 9, 12, 30 thru 35, 49, 50, & 51) (ML-132498).....	1
	01-1M5133-00002	Lifter Assy. (Incls. Items 8, 9, 11, 30 thru 35, 48, & 51) (ML-132500).....	1
	01-1000V5-00023	Pad – Mounting.....	6
	01-1000V5-00014	Tie – Cable (ML-132498).....	6
	01-1M2750-00001	Side – Lifter Cover.....	2
	01-1M2751-00002	Front – Lifter Cover.....	1
	01-1M6146-00001	Back – Lifter Cover.....	1
	01-1M2229-00004	Rotator Assy. – Lifter (Incls. Items 3 thru 6, 8, 13, 36 thru 44, & 46).....	1

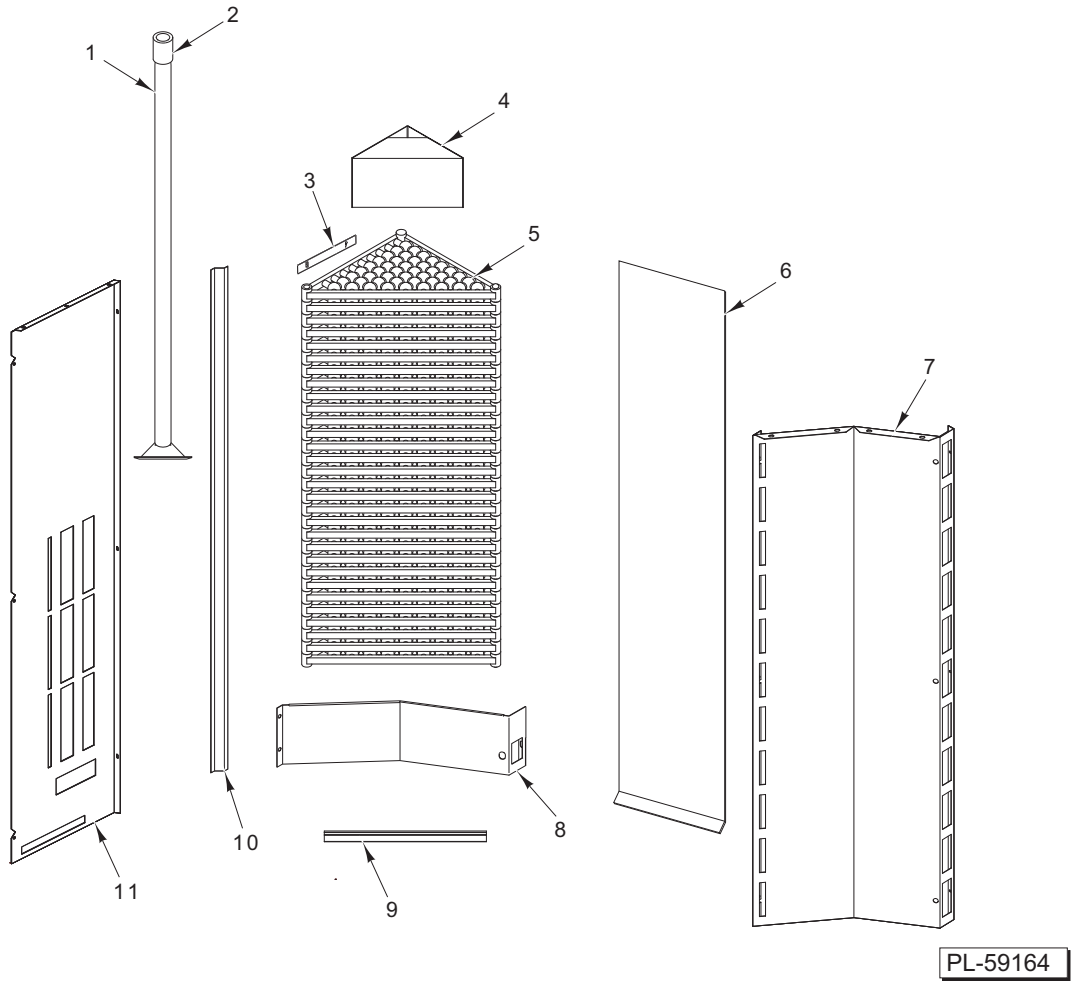
*This part used intermittently and in varying quantities. Most lifter assemblies will not require this part, but a few will require one. A very few will require more than one.



PL-59163

STEAMER ASSEMBLY (ML-132500)

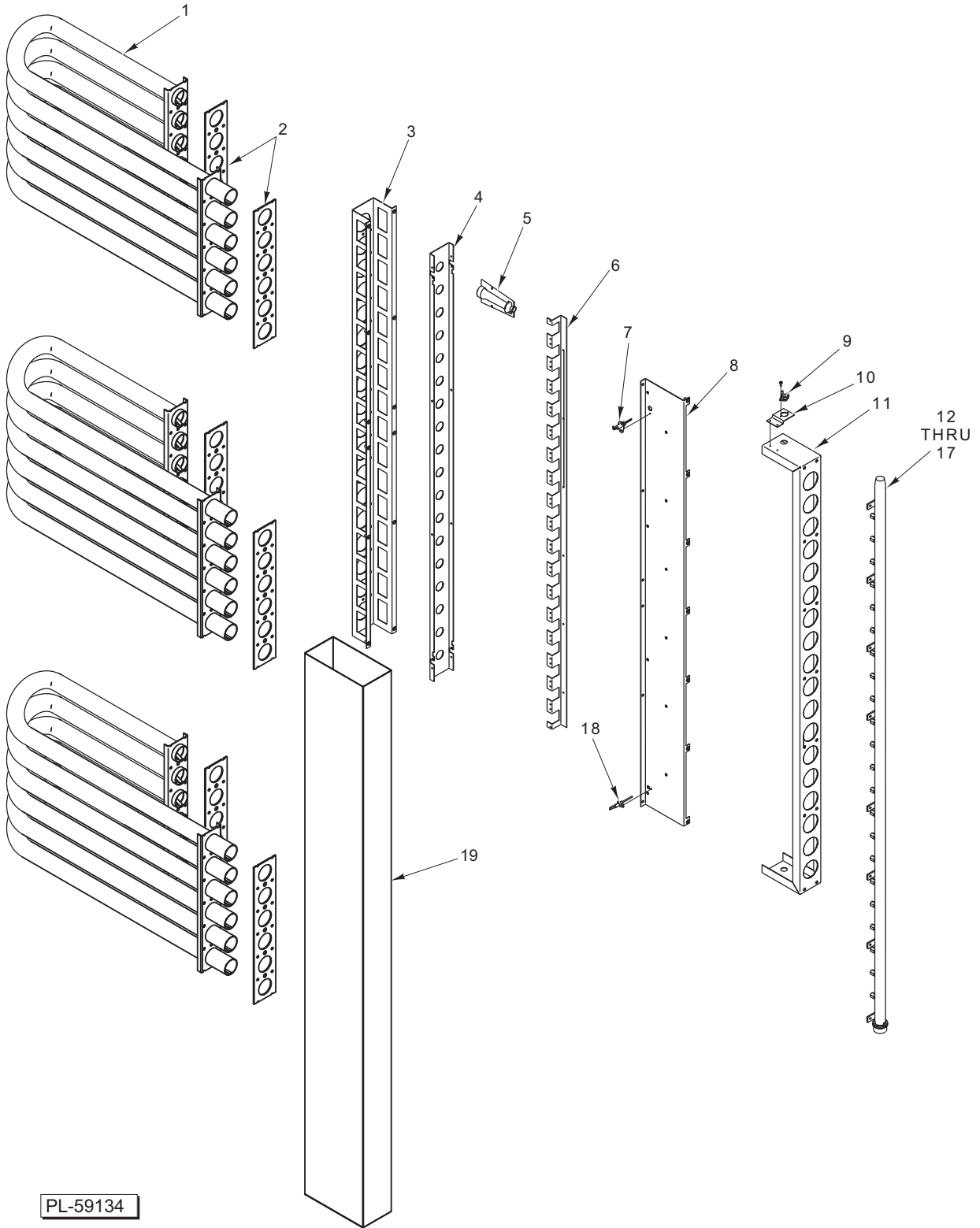
ILLUS.	PART NO.	NAME OF PART	AMT.
PL-59163			
1	01-100V17-00347	Ell 1/2 In. x 90 Deg.	1
2	01-1M5146-00101	Manifold – Steamer Weldment.....	1
3	01-1M5198-00001	Box Weldment – Steamer.....	1
4	01-100V16-00529	Casting – Steamer.....	15
5	01-1M5536-00001	Support – Steamer Castings.....	2
6	01-1M5475-00001	Sheet – Splash	1
7	01-1M5474-00001	Panel – Steamer.....	1
8	01-1M5446-00002	Plate – Steam Loader Bolt Cover	1
9	01-1M5065-00001	Bracket – Water Guide.....	7
10	01-1M5471-00001	Panel – Rear Steamer	1
11	01-1M5470-00001	Baffle.....	4
	01-1M5469-00001	Panel Assy. – Heat Exchanger Wall (Incls Items 10 & 11).....	1
	01-1M2161-00001	Screw – Leveler.....	1



PL-59164

STEAMER ASSEMBLY (ML-132498)

ILLUS.	PART NO.	NAME OF PART	AMT.
PL-59164			
1	01-1M5146-00001	Manifold Assy. – Steamer (Incls. Item 2).....	1
2	01-100V17-00183	Coupler 1/2 In. (SST).....	1
3	01-1M5171-00001	Angle – Shutter Casting (Top Section).....	1
4	01-1M5198-00001	Box Weldment – Steamer.....	1
5	01-100V16-00529	Casting – Steamer.....	30
6	01-1M5067-00001	Sheet – Splash.....	1
7	01-1M6065-00002	Panel – Steamer Outer.....	1
8	01-1M6066-00002	Panel – Steamer Pan.....	1
9	01-1M5065-00001	Bracket – Water Guide.....	7
10	01-1M5939-00002	Angle – Shutter Casting.....	1
11	01-1M6064-00002	Panel – Steamer (Rear).....	1
	01-1M2161-00001	Screw – Leveler.....	1

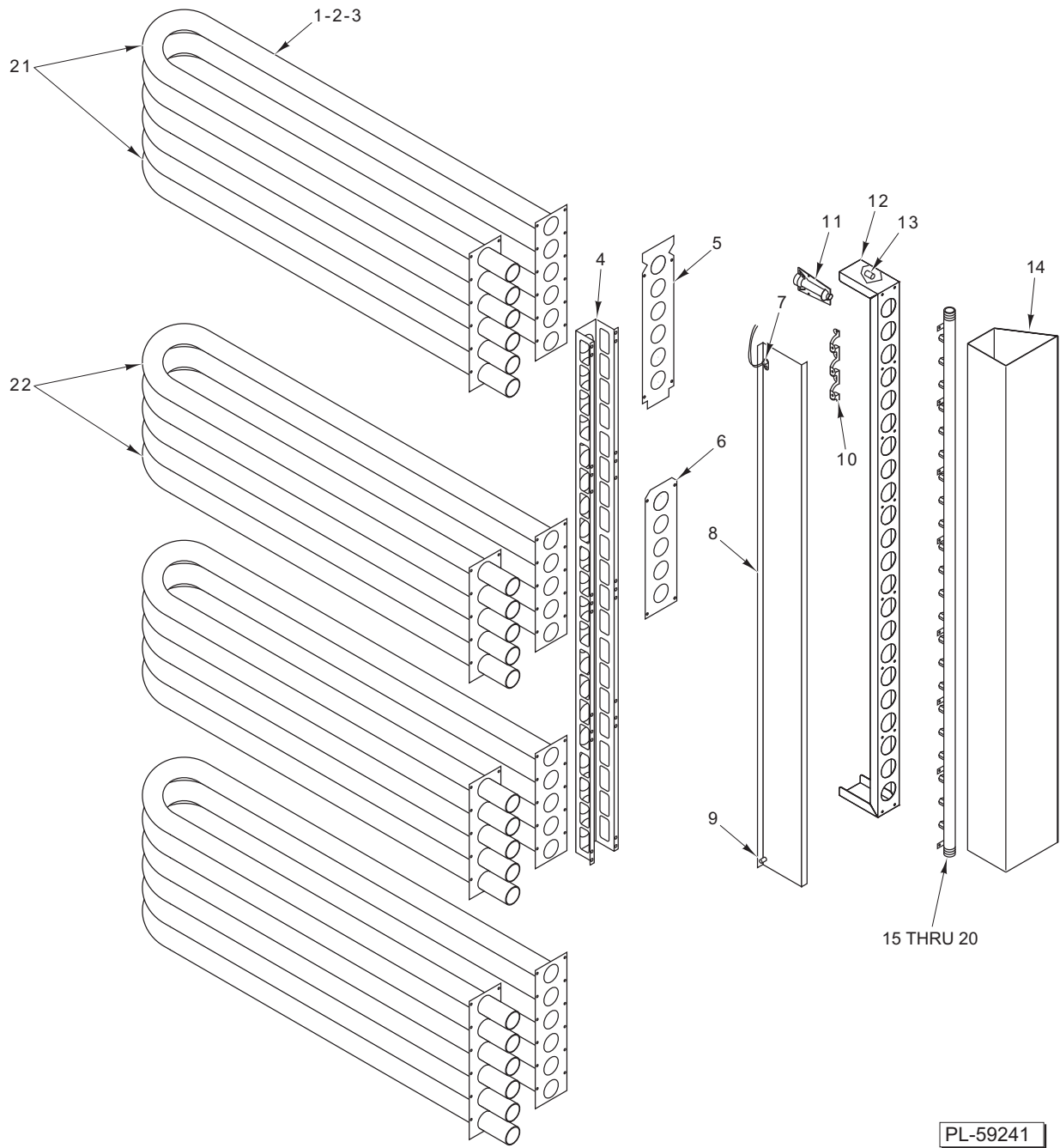


PL-59134

GAS BURNER AND HEAT CIRCULATION (ML-132500)

GAS BURNER AND HEAT CIRCULATION (ML-132500)

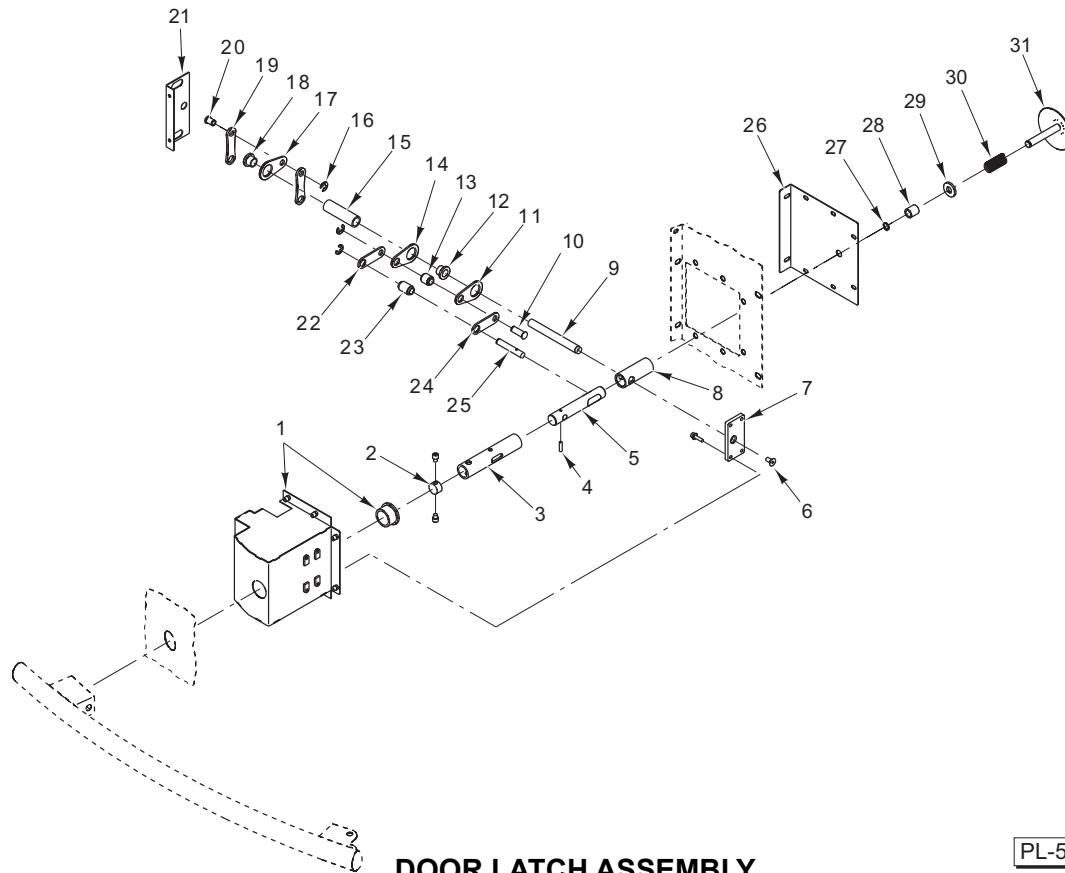
ILLUS. PL-59134	PART NO.	NAME OF PART	AMT.
1	01-1M5477-00001	Heat Exchanger Tube Assy. (Incls. Item 2).....	3
2	01-100V16-00530	Gasket – Heat Exchanger.....	6
3	01-1M6080-00001	Channel – Hat Burner Rack Assy.....	1
4	01-1M5467-00001	Plate – Firing (Burner Rack).....	1
5	01-1000V9-00146	Burner – In-Shot (Crossover).....	18
6	01-1M5465-00001	Mount – Burner.....	1
7	01-1000V9-00149	Ignitor – Hot Surface.....	1
8	01-1M5464-00001	Plate – Side (Burner Rack).....	1
9	01-1000V9-00150	Switch – Flame Rollout (350 F.).....	1
10	01-1M5373-00001	Bracket – Switch Mount.....	1
11	01-1M5468-00001	Enclosure – Burner Rack.....	1
12	01-1000V9-00174	Orifice #53 (0.059 Dia.) (NAT).....	1
13	01-1000V9-00175	Orifice #63 (0.037 Dia.) (PRO).....	1
14	01-1000V9-00183	Orifice (0.052 Dia.) (Above 6,500 Ft.) (NAT).....	1
15	01-1000V9-00184	Orifice (0.033 Dia.) (Above 6,500 Ft.) (PRO).....	1
16	01-100V16-00610	Manifold – Gas Supply (NAT).....	1
17	01-100V16-00618	Manifold – Gas Supply (PRO).....	1
18	01-1000V9-00169	Rod – Flame Sensor.....	1
19	01-1M5472-00001	Collector – Weldment.....	1
	01-1M5682-00001	Kit – Burner Assy. (Incls. Items 4, 5, 6, & 8 thru 11).....	1
	01-1M5463-00001	Box – Burner Assy. (Incls. Items 4, 5, 6, 8, 11, & 16).....	1



GAS BURNER AND HEAT CIRCULATION (ML-132498)

GAS BURNER AND HEAT CIRCULATION (ML-132498)

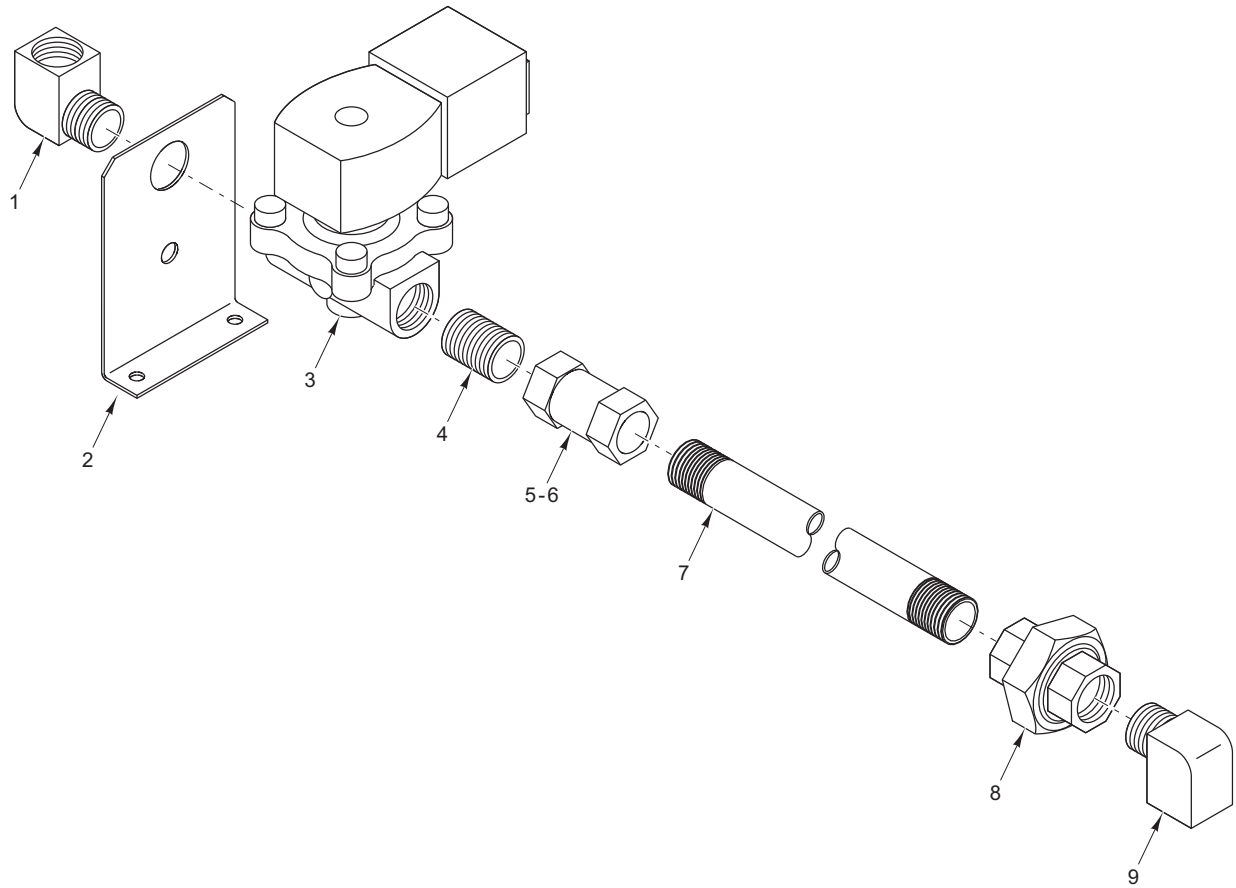
ILLUS. PL-59241	PART NO.	NAME OF PART	AMT.
1	01-1M5001-00001	Kit – Double Tubes (No Collector) (Incls. Items 2, 3, 21, & 22)	1
2	01-100V16-00559	Gasket – Heat Exchanger (5-Hole)	4
3	01-100V16-00530	Gasket – Heat Exchanger (6-Hole)	4
4	01-1M5046-00001	Angle Rack – Burner	1
5	01-1M5045-00002	Plate – Firing (Burner Rack)	2
6	01-1M5045-00001	Plate – Firing (Burner Rack)	2
7	01-1000V9-00149	Ignitor – Hot Surface	1
8	01-1M5043-00001	Plate – Side (Burner Rack)	1
9	01-1000V9-00169	Rod – Flame Sensor	1
10	01-1M5594-00001	Mount – Burner (3)	2
11	01-1000V9-00146	Burner – In-Shot (Crossover)	22
12	01-1M5061-00001	Enclosure – Burner Rack	1
13	01-1000V9-00150	Switch – Flame Roll-Out (350 F.)	1
14	01-1M6035-00002	Collector – Weldment	1
15	01-100V16-0556A	Manifold Assy. (NAT)	1
16	01-100V16-0556B	Manifold Assy. (PRO)	1
17	01-1000V9-00171	Orifice #49 (0.073 In.) (NAT)	1
18	01-1000V9-00173	Orifice #56 (0.046 In.) (PRO)	1
19	01-1000V9-00185	Orifice (0.0635 In.) (NAT) (Above 6500 Ft.)	1
20	01-1000V9-00186	Orifice (0.040 In.) (PRO) (Above 6500 Ft.)	1
21	01-1M5028-00002	Tube Assy. – Weldment (6-Tube)	2
22	01-1M5028-00001	Tube Assy. – Weldment (5-Tube)	2
	01-1M5047-00001	Plate Assy. – Burner (Incls. Items 7 thru 11)	1
	01-1M5682-00002	Kit – Burner Assy. (Double) (Incls. Items 4 thru 11, & 13)	1
	01-1M5649-00001	Kit – Ignition Service	1
	01-1M5463-00001	Box – Burner Assy. (Incls. Items 9 & 11)	1



DOOR LATCH ASSEMBLY

PL-59132

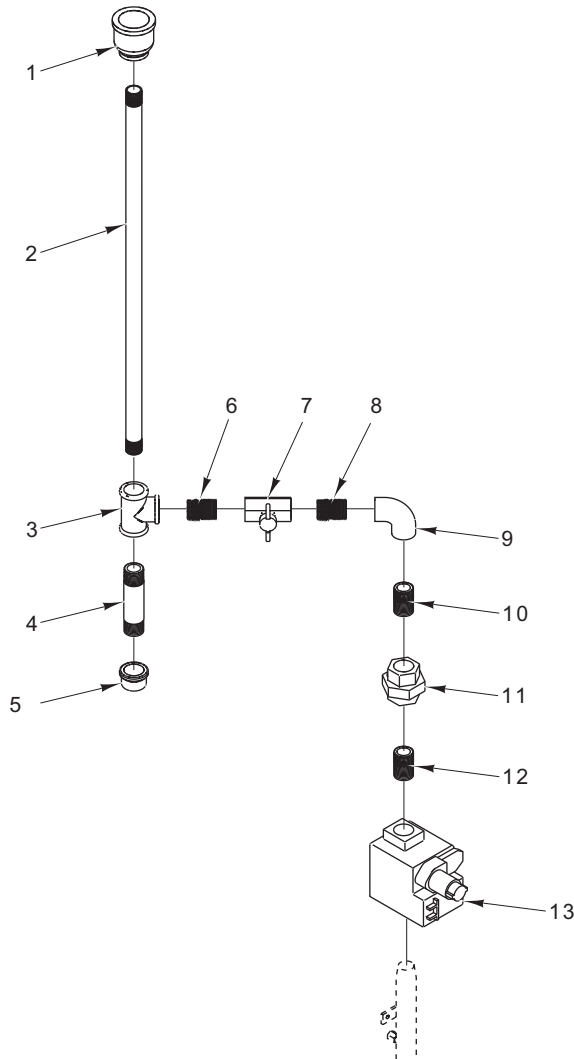
ILLUS.	PART NO.	NAME OF PART	AMT.
PL-59132			
1	01-1M6108-00006	Latch – Mechanism Box	1
2	01-1M6101-00102	Plug – Handle Mount (Latch Side).....	1
3	-	Tube – Latch Assembly.....	1
4	-	Tube – Latch Assembly.....	1
5	01-1M6108-00005	Tube – Latch Assembly (Incls. Items 3, 4, & 25).....	1
6	-	Latch Assembly – Pivot Rod	1
7	01-1M6108-00004	Latch Assembly – Pivot Rod (Incls. Items 6 & 9).....	1
8	01-1M6108-00117	Latch – Tube Stop.....	1
9	-	Latch Assembly – Pivot Rod.....	1
10	01-1M6108-00118	Arm Pin – Latch	1
11	01-1M6108-00003	Weldment – Latch Mechanism Pivot (Incls. Items 12 thru 15, 17, & 18).....	1
12	-	Weldment – Latch Mechanism Pivot.....	1
13	-	Weldment – Latch Mechanism Pivot.....	1
14	-	Weldment – Latch Mechanism Pivot.....	1
15	-	Weldment – Latch Mechanism Pivot.....	1
16	01-1000V0-00091	Clip – External 3/8 E Style.....	1
17	-	Weldment – Latch Mechanism Pivot.....	1
18	-	Weldment – Latch Mechanism Pivot.....	1
19	01-1M6108-00115	Latch – Arm Plate Lock Bar	1
20	01-1M6108-00110	Arm Pin – Latch.....	1
21	01-1M6108-00101	Bracket – Shaft Support.....	1
22	01-1M6108-00002	Weldment – Latch Arm (Incls. Items 23 & 24).....	1
23	-	Weldment – Latch Arm.....	1
24	-	Weldment – Latch Arm.....	1
25	01-1M6108-00111	Arm Pin – Latch (Long).....	1
26	01-1M6101-00103	Plate – Door Latch	1
27	01-1000V1-00074	Clip.....	1
28	01-1M6111-00102	Spacer – Inner Handle.....	1
29	01-1M1436-00001	Seal – Inner Door Handle	1
30	01-100V20-00010	Spring – Compression 7/16 O.D.	1
31	01-1M6112-00001	Button – Inner Handle.....	1
	01-1M6111-00001	Handle – Interior Door (Incls. Items 26 thru 31).....	1



PL-59142

EXTERIOR WATER SUPPLY

ILLUS.	PART NO.	NAME OF PART	AMT.
PL-59142			
1	01-100V17-00322	Elb 1/2 Street (Brass)	1
2	01-1M5818-00101	Bracket – Water Supply Support (ML-132498).....	1
3	01-100V17-00274	Valve – Solenoid – Water (2-Way) (120 V.).....	1
4	01-100V17-00288	Nipple 1/2 Dia. Close (Brass)	1
5	01-100V17-00567	Regulator – Flow 1/2 NPTF (2 G.P.M.) (ML-132500)	1
6	01-100V17-00568	Regulator – Flow 1/2 NPTF (3 G.P.M.) (ML-132498)	1
7	01-100V17-00570	Nipple 1/2 In. Dia. x 6 In. (Brass).....	1
8	01-100V17-00286	Union 1/2 Dia. NPT (Brass).....	1
9	01-100V17-00322	Elb 1/2 Street (Brass)	1
	01-1M5818-00001	Water Supply (2 G.P.M.) (ML-132500).....	1
	01-1M5818-00002	Water Supply (3 G.P.M.) (ML-132498).....	1
	01-1000V16-00706	Label – Backflow Protection	1



PL-59135

GAS SUPPLY PLUMBING

ILLUS.	PART NO.	NAME OF PART	AMT.
PL-59135			
1	01-100V17-00577	Bell – Reducer	1
2	01-100V17-00576	Pipe (3/4 In. x 23 In.).....	1
3	01-100V17-00451	Tee 3/4 NPT x 3/4 NPT	1
4	01-100V17-00575	Pipe (3/4 In. x 4 In.).....	1
5	01-100V17-00472	Cap – Pipe 3/4.....	1
6	FP-036-92	Pipe (3/4 x 1 3/8).....	1
7	01-100V17-00169	Valve – Gas (3/4 In.).....	1
8	FP-036-92	Pipe (3/4 x 1 3/8).....	1
9	01-100V17-00513	Elbow 90 Deg. (3/4 In.).....	1
10	FP-036-92	Pipe (3/4 x 1 3/8).....	1
11	01-100V17-00470	Union 3/4 NPT BLK #150	1
12	FP-036-92	Pipe (3/4 x 1 3/8).....	1
13	01-1000V9-00181	Valve – Combination Gas (3/4 In.).....	1
	01-1000V9-00127	Kit – LP Conversion	1