

OWNER'S MANUAL

Merchandising Sign Holder Cambro Versa® Food Service System

This manual applies to the following Versa Food Service Models:

VBR5, VBRL5, VBRHD5, VBRLHD5, VBR6, VBRL6, VBRHD6, VBRLHD6

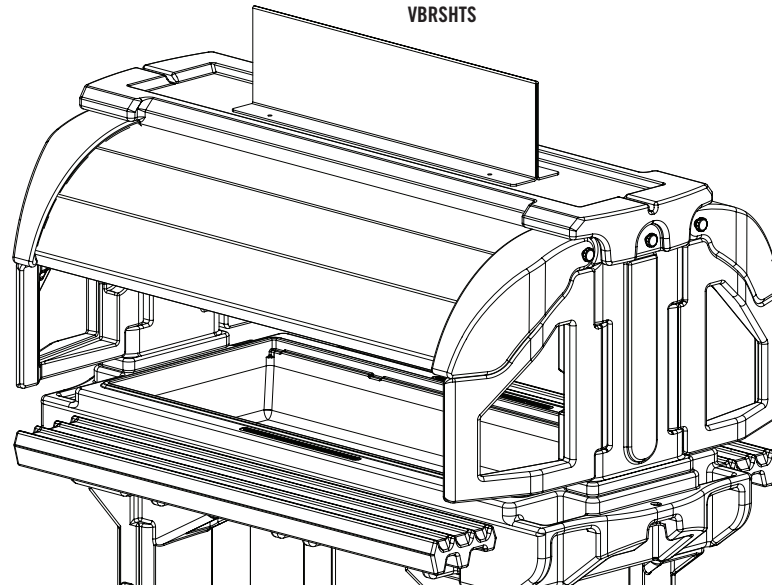


Table of Contents

Introduction	1
Section I Assembly	2
Section II Cleaning and Maintenance	2
Section IV Warranty	2
Section V Replacement Parts	2

Introduction

Congratulations on the purchase of your new Cambro Versa Food Service System Merchandising Display. This Owner's Manual provides you with a step-by-step guide to operating and maintaining your Merchandising Display.

If you have any further questions, please do not hesitate to contact your Cambro Sales Representative, visit our Web site at www.cambro.com or call our Customer Service Department at 800 833 3003.



CAMBRO
TRUSTED FOR GENERATIONS™

www.cambro.com

Section I - Merchandising Display Instructions

Parts List

- A. 1 - Merchandising Sign Holder 36" W x 9 1/4" H (91,4 x 23,5 cm)
- B. 4 each - 1/2" Nylon Thumbscrews
- C. 4 each - 1/4" Fender Washers

Installation

1. Remove the Merchandising Sign Holder from the original packaging.
2. Carefully position the sign holder sideways.
3. Position the selected merchandising sign(s) into the sign holder. Signage space available is 36"W x 8 1/2"H (91,4 x 21,6 cm). Sign thickness should be less than 1/16" (2 mm) to fit properly into the sign holder.
4. Fold-in the sneeze guards and drop down the tray rail of the Food Bar. Do not stand or lean against the Food Bar sneeze guard or tray rails.
5. Remove the four nylon button plugs from the screw holes in the top shelf.
6. Place the sign holder in the middle of the top shelf of the Food Bar aligning the four screw holes in the sign holder with the four screw holes in the top shelf.
7. Secure the sign holder to the top shelf of the Versa Bar by placing a washer over each hole in the sign then tightening the four nylon thumbscrews over each washer. Do not over-tighten as that could strip the thumbscrew threads.

Section II - Cleaning and Maintenance

Cleaning Instructions

Clean with a mild, non-abrasive detergent and warm water. Clean then wipe dry with soft cloth or soft paper towel. Warning: Do not use window cleaner, ammonia based cleaners, kitchen scouring compounds, cleaning solvents such as acetone, bleach benzene, carbon tetrachloride or thinners. These chemicals will damage the display holder.

Section IV – Warranty

CAMBRO WARRANTY AND PRODUCT LIABILITY

Cambro warrants to the original buyer that if a product proves defective:

1. Within 1 year from the date of manufacture, Cambro will replace the product free of charge; or,
2. After 1 year and up to 2 years from the date of manufacture, Cambro will grant a credit of 2/3 off replacement product; or,
3. After 2 years and up to 3 years from the date of manufacture, Cambro will grant a credit of 1/3 of the original price towards a replacement product.

Section V – Replacement Parts

Please visit www.cambro.com for a complete list of replacement parts or contact your local Cambro Representative or Distributor.