

READ ME FIRST!

Reading these brief instructions before attempting to use your compressor will improve your chances of success and reduce potential frustrations!



C3000R Airmaster Compressor

**Warranty Begins from the date of purchase*

The compressor has an On/Off rocker switch and an adjustable Control Knob (D). Adjust the air flow by turning the Control Knob. There is also a built-in airbrush holder in the center of the cabinet.

GETTING STARTED & OPERATING INSTRUCTIONS

1. Attach your airbrush hose to the Air Outlet (C) on the compressor and attach the other end of your hose to your airbrush.
2. Connect the power cord to a grounded electrical outlet.
3. Park your airbrush in the built-in airbrush holder located in the center of the cabinet. This will help prevent any accidental damage to your airbrush.
4. Switch on and operate airbrush as desired. Adjust the air flow by turning the adjustable Control Knob (D).
5. Switch off when finished.
6. When your work is finished, be sure to remove all traces of color from your airbrush by flushing with airbrush cleaner (available from Kopykake, Item #91000) or other suitable cleaning agent. Using a Q-Tip or Cotton Swab will help you reach inside the airbrush cup.

TIPS FOR USING YOUR AIRBRUSH

To obtain fine lines: The closer the airbrush is to the surface, the finer the line.

- a) Hold the airbrush almost vertical with the tip approximately 1/2" away from the surface you are airbrushing
- b) Using your Index finger, gently pull back on the airbrush main lever until enough color emerges for the desired size of the line.

For wide spray patterns: The further the airbrush is away from the surface, the wider the spray.

- a) As you move the airbrush away from the surface, gently pull back on the airbrush main lever to increase the flow of color.

Experimenting on a paper towel for a few minutes before working on your intended surface is highly recommended.

The Airmaster compressor is gentle enough for close up use and powerful enough for wider spraying patterns.

FOR BEST RESULTS

- Read these instructions above BEFORE using the compressor.
- Ensure your air hose connections have a tight seal to prevent any air leakage which will reduce the effectiveness of your compressor.
- The compressor cabinet is made of durable, high impact ABS and can be cleaned easily with a damp cloth.

Specifications

Size: 9.25" x 7.5" x 5"

Operating Pressure: .5 cfm @ 20 psi

Max Pressure: 30 psi

Compressor: Oil-less piston cylinder type

Electrical: 110/120v 60hz 1.2 Amp (220/240 50hz 0.6 Amp)

Motor Design: 1/10 Hp Perm. Magnet

DC with solid state rectifier

Weight: 7lbs (3.1kg)

Airmaster Compressor Model C3000R

Model pictured C3000R complete with Airbrush



- A - On/Off Rocker Switch
- B - Airbrush Park
- C - Air Outlet
- D - Adjustable Control Knob

Used for:

- Cake Decorating
- Airbrush Make-Up
- Airbrush Tanning
- Airbrush Fantasy Make-Up
- Airbrush Tattoos



WARRANTY & RETURN POLICY

ALL KOPYKAKE PRODUCTS ARE TESTED BEFORE SHIPMENT AND THIS PRODUCT IS GUARANTEED AGAINST ANY DEFECT IN MATERIAL OR

- 1 YEAR FOR COMPRESSORS
- 2 YEAR FOR TURBINES
- 5 YEARS FOR PROJECTORS
- AIRBRUSHES CARRY NO WARRANTY

ANY PART OF THIS PRODUCT TO BE DEFECTIVE UNDER NORMAL USE DURING THE WARRANTY PERIOD WILL BE REPAIRED OR REPLACED BY KOPYKAKE AT ITS OPTION. KOPYKAKE ASSUMES NO RESPONSIBILITY FOR DAMAGE DUE TO NEGLIGENCE BY THE USER.

RETURNING YOUR PRODUCT

ANY EQUIPMENT BEING RETURNED MUST HAVE A RETURN AUTHORIZATION NUMBER (RAN) OBTAINED FROM KOPYKAKE. A PRODUCT WITHOUT

1. CONTACT KOPYKAKE FOR A RETURN AUTHORIZATION NUMBER.
2. PACKAGE YOUR PRODUCT WELL TO AVOID DAMAGE IN TRANSIT. ANY DAMAGE WILL BE ASSUMED TO HAVE OCCURRED PRIOR TO SHIPPING SO PLEASE BE SURE TO PROTECT THE PRODUCT WELL.
3. INCLUDE PROOF OF PURCHASE AND A NOTE EXPLAINING THE REASON FOR THE RETURN.
4. MARK THE RAN ON THE NOTE AND THE EXTERIOR OF THE PACKAGE SO IT CAN BE EASILY IDENTIFIED.
5. RETURN THE PRODUCT VIA UPS OR ANY OTHER CARRIER COMPANY.

IN THE U.S.A. - IF KOPYKAKE FINDS THAT A PRODUCT WAS DEFECTIVE, THEN EQUIPMENT/REPLACED OR REPAIRED UNDER WARRANTY WILL BE RETURNED TO CUSTOMER, FREIGHT OR POSTAGE PAID BY KOPYKAKE.

OUTSIDE OF THE U.S.A. - KOPYKAKE WILL REPLACE DEFECTIVE PARTS, BUT CUSTOMER WILL BE RESPONSIBLE FOR SHIPPING CHARGES.

THE WARRANTY PERIOD FOR REPAIRED OR REPLACED PARTS SHALL BE FOR THE DURATION OF THE ORIGINAL WARRANTY.

WE REGRET THAT ANY RETURNS TO STOCK WILL BE SUBJECT TO A 20% RESTOCKING FEE.

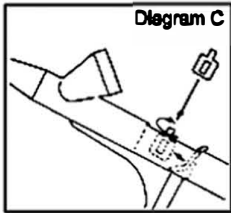
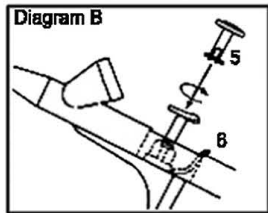
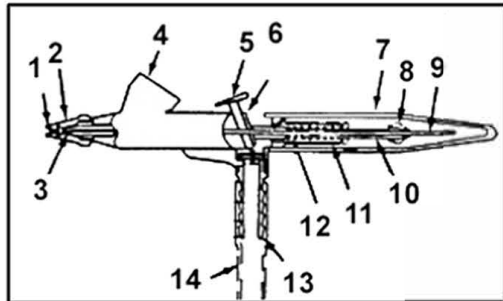


MA011 1002

Kopykake

READ ME FIRST!

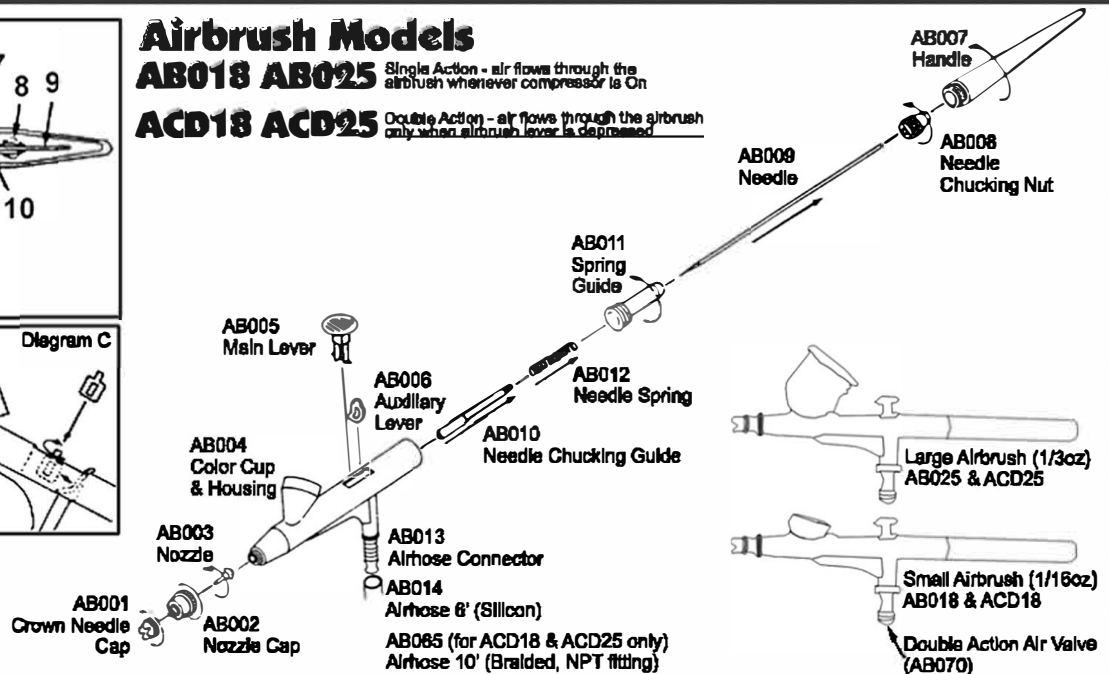
Studying this Owner's Manual will make you familiar with your airbrush so you can maintain it with confidence. Also, should you need any parts, you can identify and order them easily.



Airbrush Models

AB018 AB025 Single Action - air flows through the airbrush whenever compressor is On

ACD18 ACD25 Double Action - air flows through the airbrush only when airbrush lever is depressed



MAINTENANCE: CLEANING

The Basic cleaning

*****DO NOT***
disassemble airbrush for Basic Cleaning!**

What I've found to be very helpful is to keep a cup of hot water and add a few drops of airbrush cleaner, run this mixture through the airbrush, while working lever action the whole time. Repeat this between each color and each fill of the cup. A complete disassembly is normally not needed. If your buildup isn't too bad, you should be able to clean your airbrush without taking it apart. If old color has built-up in the airbrush, you should let the entire airbrush soak in the airbrush cleaner solution at full strength for about 30 minutes. Then loosen the chucking nut (AB008), pull needle (AB009) back about 1 inch, and run full strength cleaner through it after it has soaked. Rinse the airbrush and dry.

Problem: No color is coming out of my airbrush, and I also notice bubbles in my color cup.

Solution: Check Fluid nozzle (AB003), and/or nozzle cap (AB002). When any of these are clogged you will get back feed into color cup.

Problem: Getting tiny lines of color without pressing main lever.

Solution: Your needle is not seating all the way into the airbrush. Loosen the chucking nut of the needle and see if it will go in further. If it doesn't the tip may be dirty and needs cleaning. By simply removing your needle and gently cleaning it removing all color and possibly dried color near needle tip should fix problem, the needle was not totally seated.

Problem: My air cap leaks air.

Solution: After removing the needle, remove the air cap. Take a very small amount of bees wax, apply this to the threads. It will seal the threads from air leaking this can be done on any air leaks you may have.

Problem: My airbrush is over spraying or spitting

Solution: Check the point of your needle to make sure there is no damage such as a bend or hook, remove the air cap and clean the inside using a Q-tip, replace your needle if bent, or nozzle, if you see any splits.

DISASSEMBLING YOUR AIRBRUSH

- Become familiar with your airbrush by studying the above diagram. Remove each part by turning or pulling counter clockwise.
- STEP 1: Disconnect the Airhose (AB014 or AB085) from the Airhose Connector (AB013)
 - STEP 2: Remove Handle (AB007) by turning counter clockwise
 - STEP 3: Loosen Needle Chucking Nut (AB008)
 - STEP 4: Pull Needle (AB009) out, be careful not to damage the point
 - STEP 5: Unscrew the Spring Guide (AB011)
 - STEP 6: Remove the Needle Spring (AB012) and Needle Chucking Guide (AB010)
 - STEP 7: Remove the Main Lever (AB005) by pulling then twisting. Remove Auxiliary lever (AB006) by pulling and twisting.
 - STEP 8: Remove the Crown Needle Cap (AB001) and Nozzle Cap (AB002)
 - STEP 8: Using the small flat wrench provided with your airbrush, remove the Nozzle (AB003) by placing the wrench over the two flat spots and turning counter clockwise.

ASSEMBLING YOUR AIRBRUSH

- STEP 1: Using the nozzle wrench, screw in and tighten the Nozzle
**** Caution: Do not apply excessive force when tightening****
- STEP 2: Screw on the Nozzle Cap and hand tighten
- STEP 3: Screw on the Crown Cap and hand tighten
- STEP 4: Hold the airbrush as shown in Diagrams B & C. Take the Auxiliary Lever (Diag. C) and insert inside the opening, twisting it so that the hump is towards the back. Let it rest against the back of the opening.
- STEP 5: Stop. Study the Main Lever. Notice there is a thinner, rounded section on the flat part under the round head. This side goes towards the back of the opening. Refer to Diagram B. Insert the Main Lever into the opening and guide the two pins into the two channels located on the walls inside the opening. Move head back against the Auxiliary Lever and hold there. Hold these parts secure then go to Step 6.
- STEP 6: Insert the Needle Chucking Guide, channel down into the back of the airbrush. Slide the Needle Spring over the Needle Chucking Guide. Insert the Spring Guide over the Needle Spring and screw in until tight. This spring mechanism will push the main lever and Auxiliary Lever forward.
- STEP 7: Insert the Needle through the Needle Chucking Guide and slowly push all the way forward. Screw on the Needle Chucking Nut until tight.
- STEP 8: Cover the back of the airbrush with the Handle.

ACCESSORIES (Not pictured)

- AB015 4oz. Poly Bottle
- AB016 Nozzle Wrench
- AB050 Moisture Trap (Barbed) - for Airmaster & KromaJet compressors
- AB051 Moisture Filter with hose fitting - for Airmaster Plus compressor
- 91000 Airbrush Cleaner