



# Preventive Maintenance Kit

**Applicable Models:** Simplicity™ Bubbler®

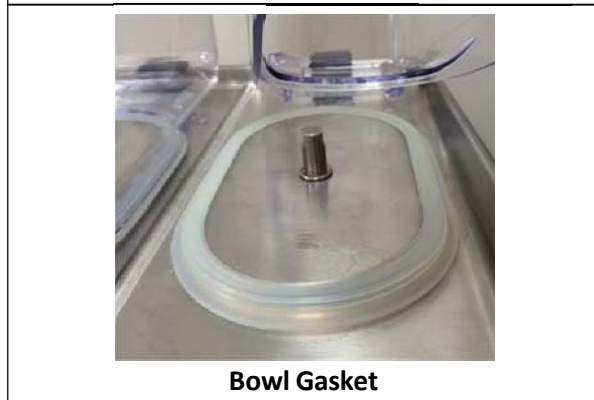
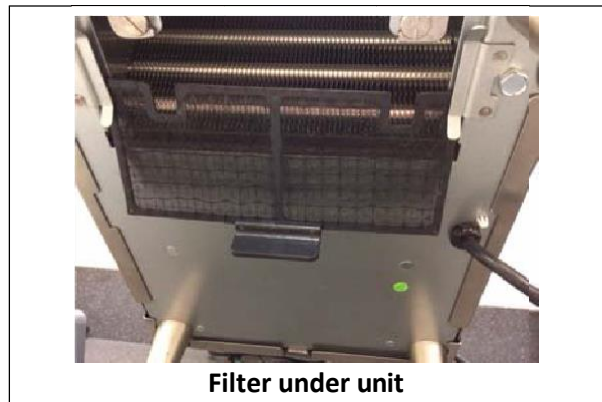
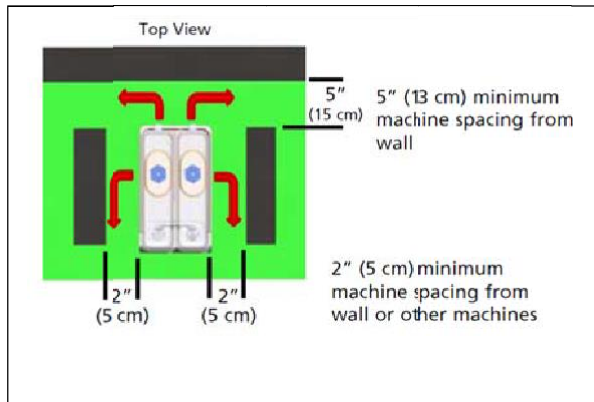
**PM Frequency:** every 9 months or sooner if needed

**Parts Included:**

Bowl Gasket(s)  
Impeller(s)  
Plunger Seal(s)  
Filter

**Description and Instructions:**

1. Verify unit clearance per diagram.
2. Replace air filter in underside of the unit base.
3. Replace all gaskets, seals, and impellers listed.



Operator Manuals, including use and care instructions as well as product video tutorials, can be found on our website, [www.gmcw.com](http://www.gmcw.com). Call 1-800-695-4500 for Technical Support.



# Preventive Maintenance Kit

**Applicable Models:** Classic Bubbler™

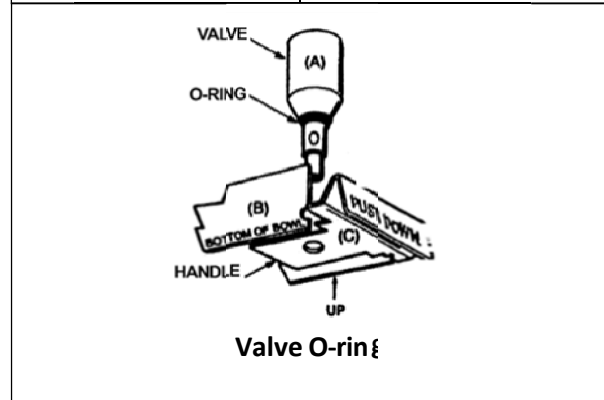
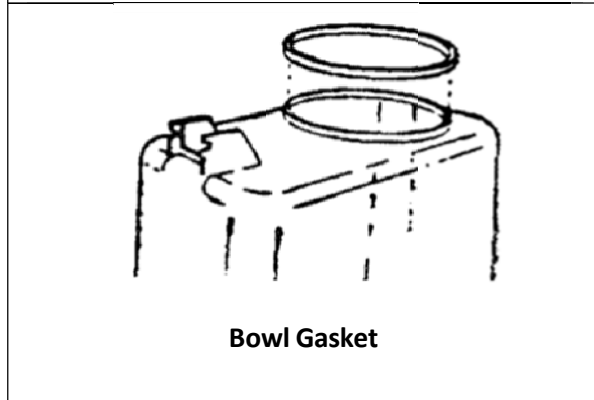
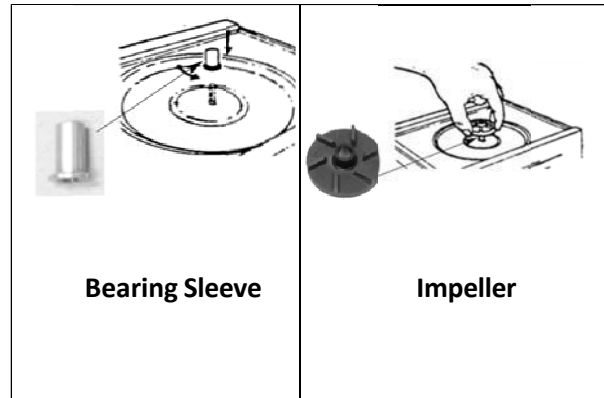
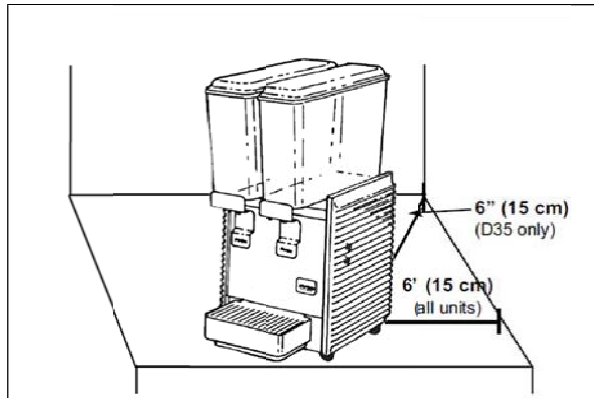
**PM Frequency:** every 6 months or as needed

**Parts Included:**

Bowl Gasket(s)  
Impeller(s)  
Valve O-ring(s)  
Bearing Sleeve(s)

**Description and Instructions:**

1. Verify unit clearance per diagram.
2. Replace Bearing Sleeve attached to base.
3. Replace all gaskets, O-rings, and impellers listed.



Operator Manuals, including use and care instructions as well as product video tutorials, can be found on our website, [www.gmcw.com](http://www.gmcw.com). Call 1-800-695-4500 for Technical Support.



# Preventive Maintenance Kit

**Applicable Models:** G-Cool™

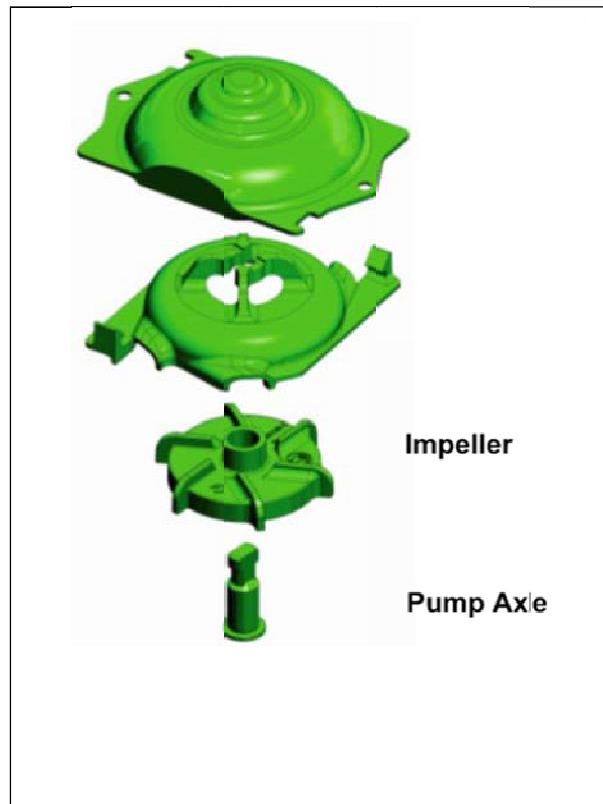
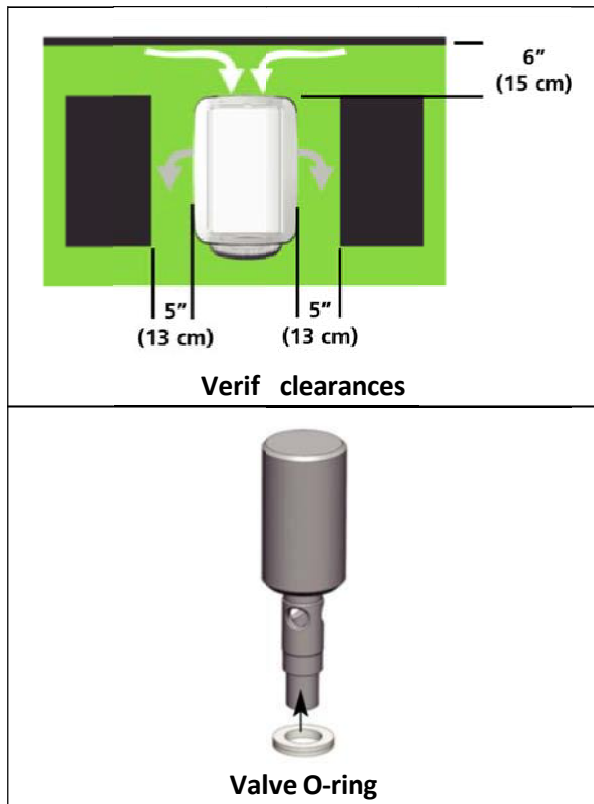
**PM Frequency:** every 6 months or as needed

**Parts Included:**

Impeller(s)  
Valve O-ring(s)  
Pump Axle(s)

**Description and Instructions:**

1. Verify unit clearance per diagram.
2. Replace Impeller(s) and Pump Axle(s).
3. Replace Valve O-Ring(s).



Operator Manuals, including use and care instructions as well as product video tutorials, can be found on our website, [www.gmcw.com](http://www.gmcw.com). Call 1-800-695-4500 for Technical Support.



# Preventive Maintenance Kit

**Applicable Models:** Korinto Prime Super  
Automatic Espresso Machines

**PM Frequency:** every year or as needed

**Parts Included:**

Brew Chamber  
Water Filter Cartridge  
Milk Frother (Kobalto FM only)  
Milk Hose (Kobalto FM only)

**Description and Instructions:**

1. Replace Brew Chamber.
2. Replace Water Filter Cartridge.
3. Kobalto fresh milk version: replace Milk Frother and Milk Hose.



Operator Manuals, including use and care instructions as well as product video tutorials, can be found on our website, [www.gmcw.com](http://www.gmcw.com). Call 1-800-695-4500 for Technical Support.



# Preventive Maintenance Kit

**Applicable Models:** Orange Juice Machine

**PM Frequency:** every year or as needed

**Parts Included:**

Knife

Dispense Faucet (if applicable)

**Description and Instructions:**

1. Remove and replace knife piece, following directions in manual for cleaning.
2. Replace Dispense Faucet (if applicable).



**Knife for JX15**



**Blade Ejector (Knife) or JX45AF**



**Dispense Faucet for JX45AF**

Operator Manuals, including use and care instructions as well as product video tutorials, can be found on our website, [www.gmcw.com](http://www.gmcw.com). Call 1-800-695-4500 for Technical Support.