

HUSSMANN[®]

microSC[™]

SHM-A

Deli / Beverage / Produce

Air-Cooled

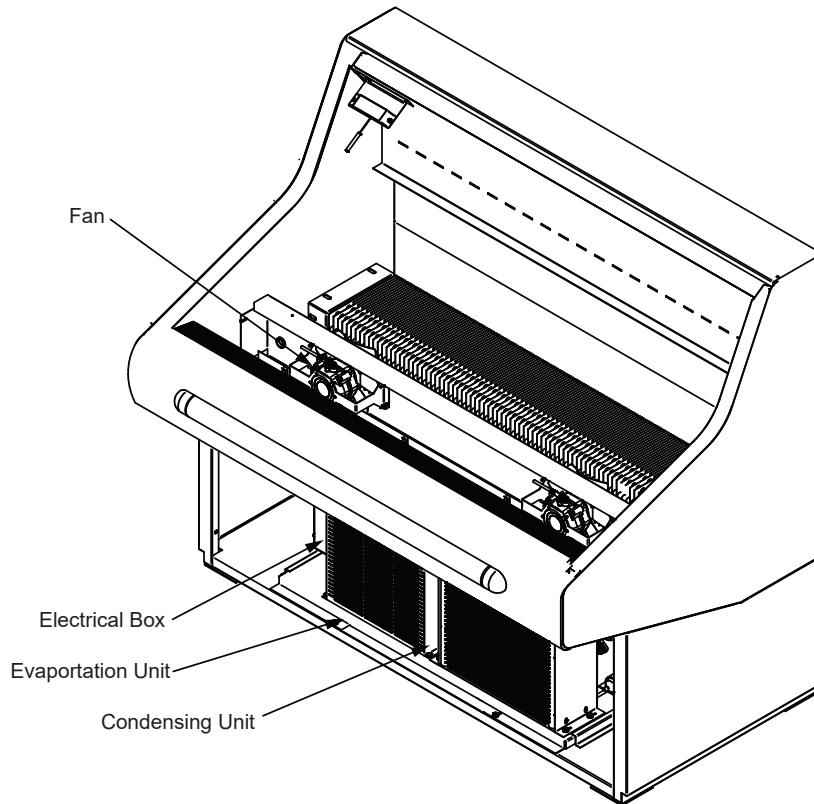
R-290

Merchandise Data Sheet

P/N 3109357_A

UL EPH[®] Certified

March 2020



DOE 2017
Energy Efficiency
Compliant



Portion of parts removed for clarity.

3 foot merchandiser shown.

All product must be pre-chilled prior to loading.

This case is intended for NSF Type II ambient applications (80°F / 55% RH).

UL EPH Certification

This merchandiser model is manufactured to meet ANSI/SCC Standards requirements for construction, materials, and cleanability.

Performance Data	Page 2	Estimated Shipping Weights	Page 5
Product Data (AHRI Statistics)	Page 2	Wiring Diagrams	Page 6
Cross Section	Page 3	QR Code for Parts and Product Information	Page 7
Plan View	Page 4	Revision History	Page 7
Electrical Loads	Page 5		

Data sheet-SHM-A

⚠ WARNING

Component parts shall be replaced with like components, and servicing shall be done by factory authorized service personnel only, so as to minimize the risk of possible ignition due to incorrect parts or improper service.

We reserve the right to change or revise specifications and product design in connection with any feature of our products. Such changes do not entitle the buyer to corresponding changes, improvements, additions or replacements for equipment previously sold or shipped.

SHM-A

Deli / Beverage / Produce

Refrigeration Data ^{1,4}

		Deli/ Beverage/ Produce	
		3 Foot	4 Foot
Refrigeration	Discharge Air °F (°C)	22 to 24 (-5 to -4)	20 to 22 (-6 to -5)
	Average Evaporator °F (°C)	12 to 14 (-11 to -10)	10 to 12 (-12 to -11)
	Total Heat of Rejection ²	4054	4885
Condensing Unit	Capacity ³	3068	3639
	Nominal HP	1/3	1/2
Evaporator Fan Speed	5" Fan Assembly	1550	1550

Notes:

1. All data based on store temperature and humidity that does not exceed NSF Type 1 ambient conditions of 75°F and 55% relative humidity except where noted.
2. Total Heat of Rejection listed for maximum design conditions, normal operating loads may be lower.
3. Condensing Unit Capacity is calculated at an evaporator temperature of 14°F and a condensing temperature of 95°F.
4. All product must be pre-chilled prior to loading.

Defrost Data

Frequency (hours between defrost)	8
Defrost Type	Offtime
Defrost Termination (Temperature °F)	48
Time (minutes)	50
ELECTRIC OR GAS	Not Available

Sound Data

4 Foot	70 dB
--------	-------

Energy Consumption Data

	DEC (kWH/day)
3 Foot	4.35
4 Foot	5.43

⁴ Energy values obtained under AHRI 1200.

Refrigerant Data

Refrigerant Type R-290

Charge ⁵ .33 lb 5.3 oz 150 g

⁵ Maximum charge per condensing unit = 150 g.

Product Data ⁶

	3 Foot	4 Foot
Total Display Area (ft ²)	6.7	8.9
Total Display Area (ft ² /ft)	2.4	
Shelf Area (in ²)	693	945
Shelf Area (ft ²)	4.8	6.6
Shelf Area (ft ² /ft)	1.6	
AHRI Gross Refrigerated Volume (cu ft ³ /ft)	0.5	
AHRI Gross Refrigerated Volume (cu m/m)	0.05	
Total Display Area (sq m/m)	0.732	
Shelf Area (m ² /m)	0.044	

⁶ Computed using AHRI 1200 standard methodology

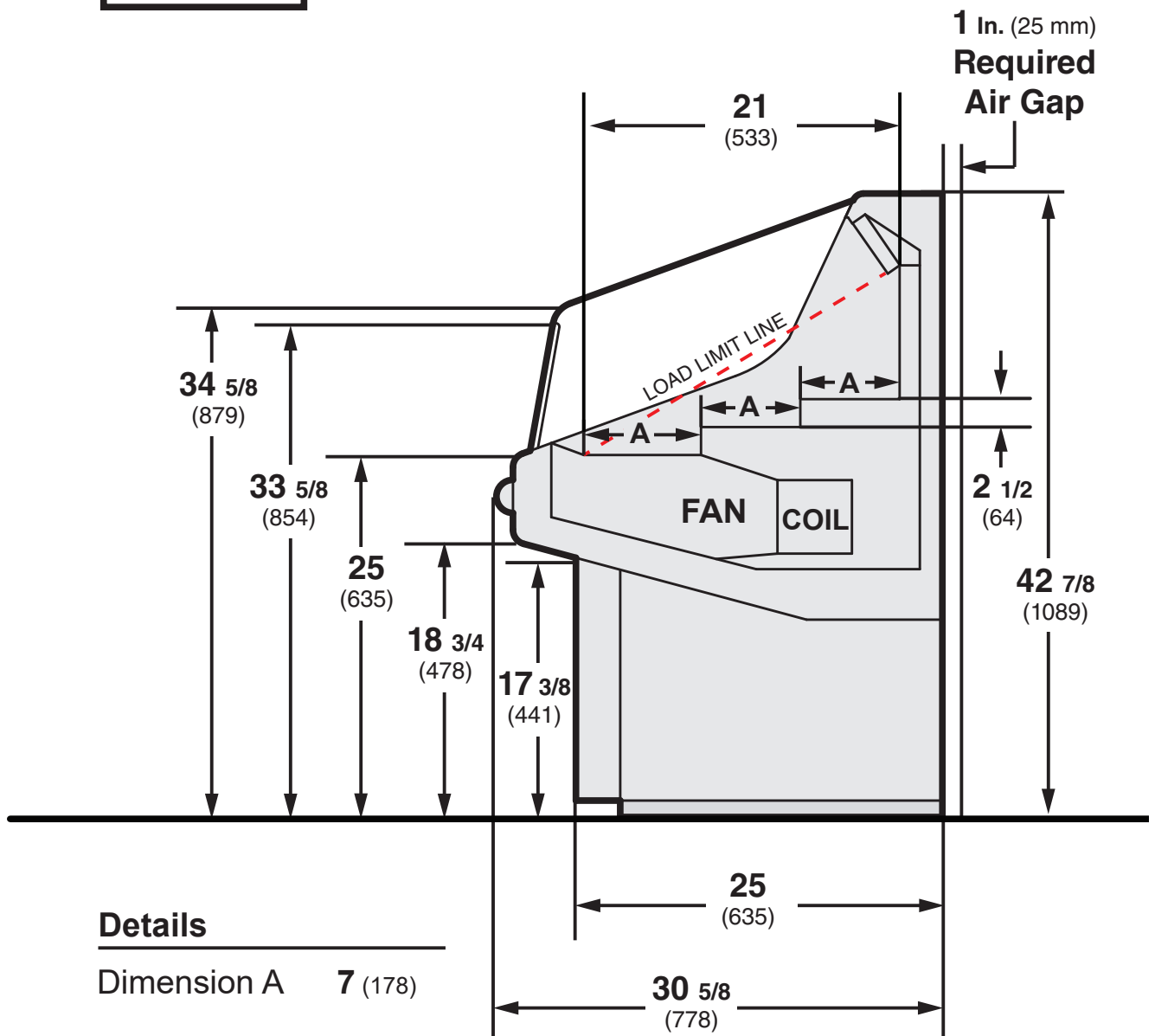


Husmann refrigerated merchandisers configured for sale for use in the United States meet or surpass the requirements of the DOE 2017 energy efficiency standards.

Dimensions shown as in. and (mm).

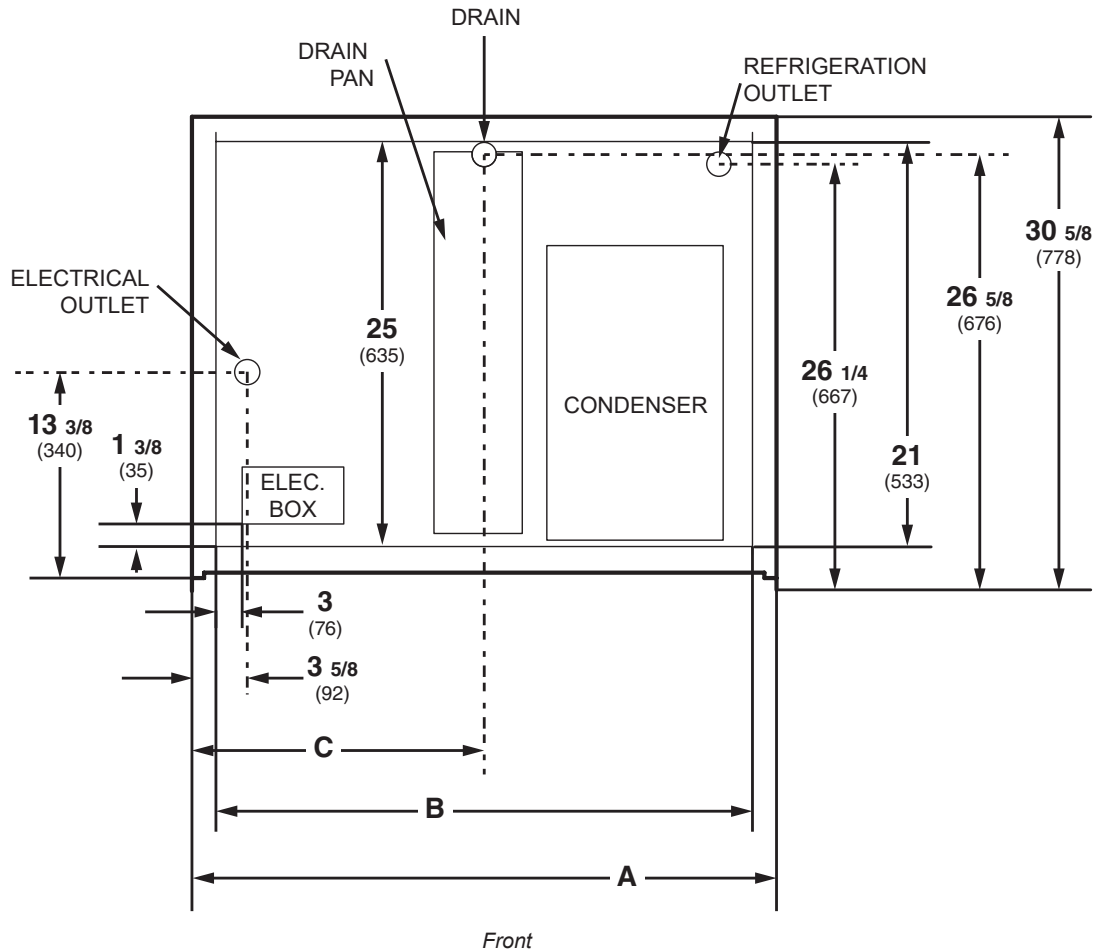


1 inch Required Air Gap, 2 sides and rear
24 inch front



Dimensions shown as in. and (mm).

Usable power cord length is 78 in. (1981 mm).



General	3 Foot	4 Foot
(A) Case Length (includes one pair ends)	36 (914)	48 (1219)
Maximum O/S dimension of case back to front	30 5/8 (778)	30 5/8 (778)
(B) Interior case length	32 7/8 (875)	44 3/4 (1137)
(C) LH End of case to the center of waste outlet	18 (457)	24 (610)

Electrical Data

NOTE: These values below are rated values for individual components and should not be added together to determine total merchandiser electrical load.

Number of Evaporator Fans

5-in.

SHM-A

2

		3 Foot		4 Foot	
		Amperes	Watts	Amperes	Watts

Evaporator Fans

115V	60Hz	Energy Efficient	0.2	20	0.2	20
------	------	------------------	-----	----	-----	----

* Amperes/watts are at max values

Merchandiser Requirements

Power Supply 115V / 1ph / 60Hz

Compressor RLA

Compressor LRA

Case Run Amps

Minimum Circuit Amps (MCA)

Maximum Over Current Protection (MOCP)

3 Foot

4 Foot

2.2

21

2.7

3.78

15

2.9

27

3.5

4.9

15

NEMA Plug

5-15P



ESTIMATED SHIPPING WEIGHT †

Case			Solid End
	3 Foot	4 Foot	(each)
lb (kg)	252 (114)	305 (138)	Included

† Actual weights will vary according to optional kits included.



Scan the QR code with your mobile device to access additional product information or order parts.

Parts may also be ordered at:

parts.husmann.com

Call toll free: 1.855.487.7778

Revision History

Revision A: March 2020: Original Issue