

970-A

## 970-A BAGEL SABER®

### Simple to operate Bagel Saber

Prince Castle model 970-A Bagel Saber is designed to deliver a perfectly sliced bagel quickly and easily. Simply place a bagel in the Bagel Saber, with one forward stroke you get two perfectly sliced bagel halves.

Simple to operate, the Bagel Saber saves time and money in any kitchen. This safe and easy-to-use unit eliminates the need for slicing bagels with dangerous knives. You don't have to estimate where to slice your bagel since the Bagel Saber produces consistently-sized halves every time.

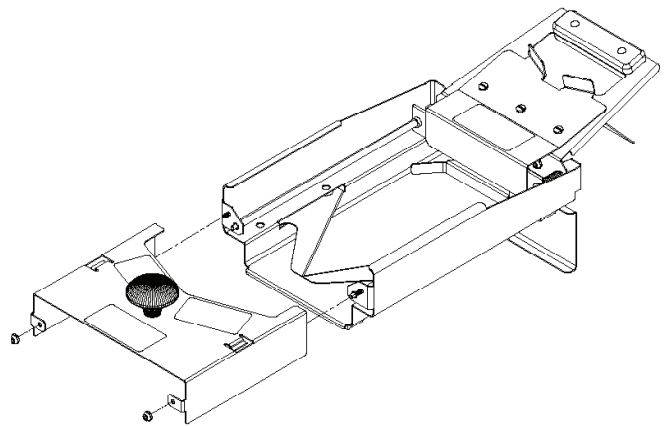
Solid stainless steel construction provides for long, reliable service. The sturdy frame sits flat on any counter for safe, stable operation or can be permanently attached to the work surface. A built-in table stop ensures the Bagel Saber won't budge during operation, and an optional Bagel Tray neatly catches the sliced bagel halves. Precise, sharp, replaceable stainless steel blades ensure a clean cut with every stroke.

### FEATURES

- Quality design and construction
- Produces perfectly uniform bagel halves every time
- Stainless steel blades are easily replaceable
- Time and money saving unit
- Smooth and effortless operation
- Virtually no clean-up – just rinse and wipe; completely submersible
- Construction allows for stability and safety
- Built-in table stop ensures unit won't slide during slicing
- Slices Bagels up to 5 3/4 inches in diameter and 2 inches thick
- One-Year warranty (excluding blades)

### DIMENSIONS

Model Number	Width in(cm)	Height in(cm)	Length in(cm)	Shipping Weight lb(kg)	Shipping cu.ft. (cu.m)
970-A	8.13 (21.00)	5.25 (13.30)	12.00 (30.50)	7.30 (3.31)	.75 (.021)



### ACCESSORIES

Model Number	Description
970-097	Bagel Tray



970-097

### ORDERING INFORMATION

Model Number	Description
970-A	Bagel Saber
970-034	Replacement Blade Set
970-097	Bagel Tray

### CERTIFICATIONS



Designs and Specifications are subject to change without notice.