

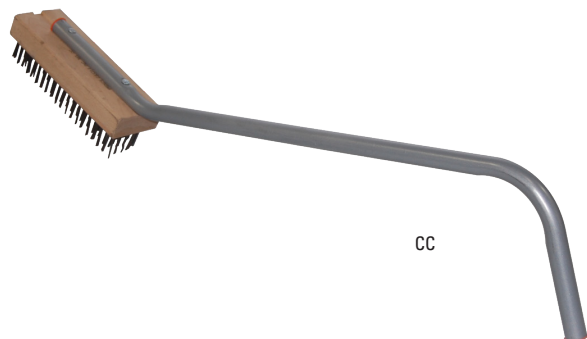
CC/CM CHAR-BRUSHES

Cleaning More Effectively

Prince Castle's Redi-Grill Char-Brushes are designed to clean high production char-broilers by thoroughly removing food residue from cooking surfaces.

The best char-broiler cleaning tools ever designed, model CC and model CM char-brushes clean char-broilers quickly and easily. The tough spring bristles and ergonomically designed piston-grip handles help operators clean more efficiently with less effort.

Two brush types are available - Coarse (CC) and Medium (CM). It is recommended to use both for best cleaning results.



FEATURES

- Cleans char-broilers quickly.
- Two models available - Coarse (CC) and Medium (CM).
- Tough, spring-steel bristles.
- 24" metal piston-grip handle.
- Cleans thoroughly.
- Replacement brushes available.

ORDERING INFORMATION

Model Number	Description
CC	Char-Brush Coarse (min qty 6)
CM	Char-Brush Medium (min qty 6)

ACCESSORIES

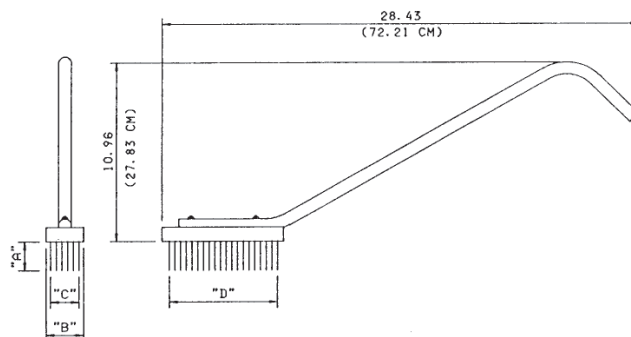
Model Number	Description
CC-1	Replacement Brush Only - Coarse (min qty 12)
CM-1	Replacement Brush Only - Medium (min qty 12)



CC-1 Coarse Replacement Brush
 CM-1 Medium Replacement Brush

DIMENSIONS

Model Number	Width in(cm)	Height in(cm)	Length in(cm)	Shipping Weight lb(kg)	Shipping cu.ft (cu.m)
CC	2.50 (6.35)	11.00 (27.83)	28.50 (72.21)	11.00 (5.00)	1.10 (.03)
CM	2.25 (5.71)	11.00 (27.83)	28.50 (72.21)	11.00 (5.00)	1.10 (.03)



Designs and Specifications are subject to change without notice.