

ADCRAFT®



RC-E25, RC-E30, RC-E50 Rice Cooker

This manual contains important information regarding your *Admiral Craft* unit. Please read this manual thoroughly prior to equipment set-up, operation and maintenance. Failure to comply with regular maintenance guidelines outlined in this manual may void the warranty. MUST READ!!!

WARNINGS

- Do not heat pan on any other stove.
- Keep children and animals away from unit.
- Do not replace pan with any other container.
- Do not immerse cooker, cord or plug in liquid at any time
- Unplug cord from outlet when not in use and before cleaning
- Plug only into a 3-hole grounded electrical outlet
- Do not operate unattended
- Do not use this unit for anything other than intended use
- Do not use outdoors
- Always cook on a firm, dry and level surface at least 12” from walls or any other obstruction
- Do not use unit with a damaged cord or plug, in the event the appliance malfunctions, or has been damaged in any manner
- Any incorrect installation, alterations, adjustments and/or improper maintenance can lead to property loss and injury. All repairs should be done by authorized professionals only
- Do not incline or tilt the pan. Pan must be flat against and in full contact with heating element.

TO USE

1. First clean and strain rice then place in rice cooker pot.
2. Add water to pot containing rice referencing a ratio of 1-1/2 cups of water to 1 cup of rice. The marks on the left of the pan indicate liters. The marks on the right of the pan indicate cups. Please note rice absorbs water differently, depending on the type of rice used.
3. Place rice in the pan evenly.
4. Place the pan inside the cooker and move it around lightly until it rests evenly on the heating plate.
5. Insert the plug into the socket of the cooker then plug in the other end to a power socket and switch on. The warm light will illuminate yellow indicating the Heat Preservation Unit is working; however the rice will not start cooking yet. Press the white switch button down to set the cooker in operation. Once the rice is thoroughly boiled, the switch button will automatically release and the red cook lamp will turn off and the yellow warm lamp light will turn on again. This indicates the rice has been cooked. Keep the lid on for 10 more minutes and the rice will cook to completion.
6. The temperature of the rice in the cooker will automatically be kept within the range of 60° - 80°C (140°F- 176°F). If heat preservation is not necessary, turn unit off and unplug. Preheating is not necessary.

CLEANING – NOTE: To maintain cleanliness and increase service life, keep pan and heating plate clean. Avoid buildup of rice grains or debris from collecting between the bottom of the pan and the surface of the heating plate.

- Clean cooker with a damp cloth.
- Clean pan with water carefully, to avoid denting.

TROUBLESHOOTING

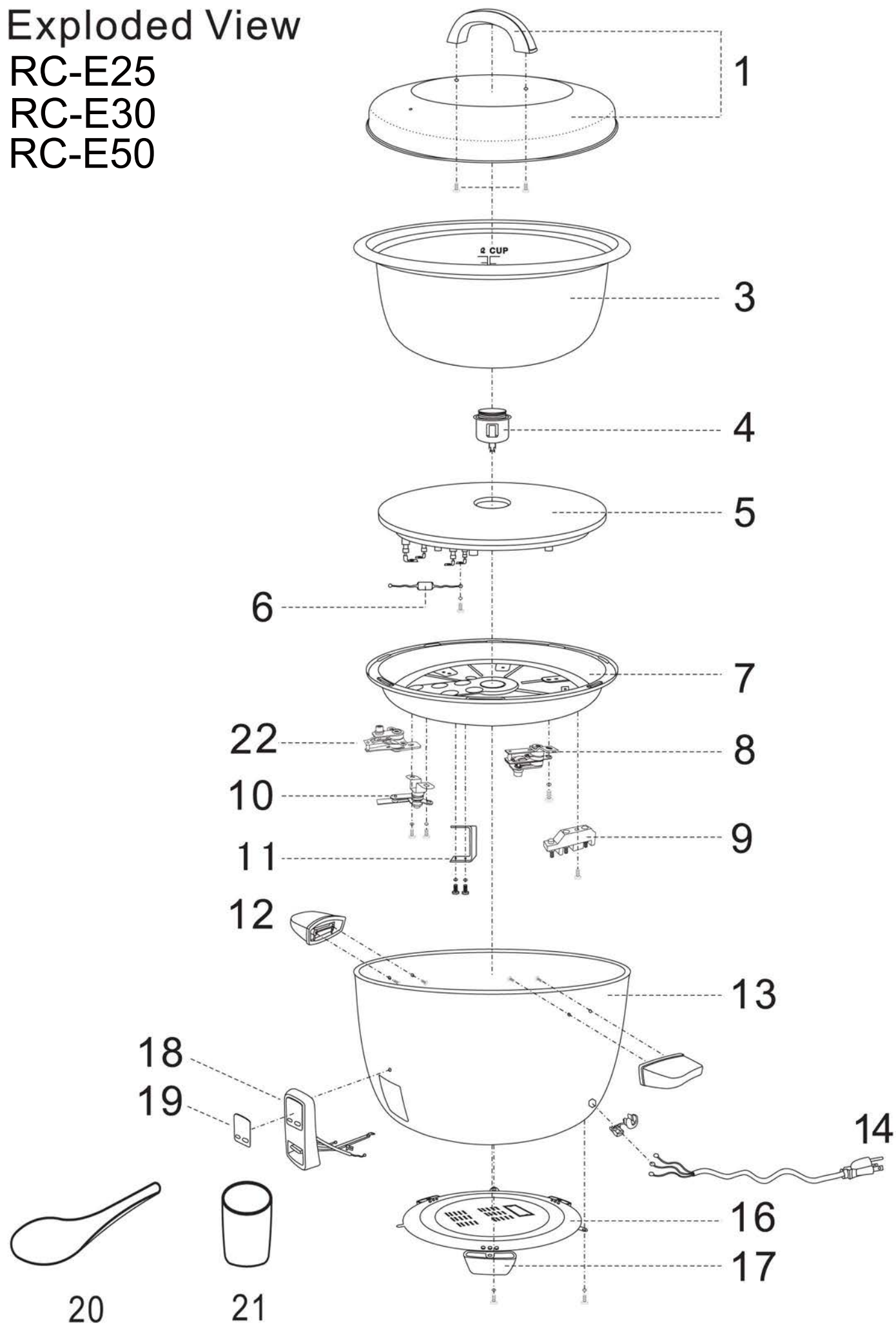
No.	TROUBLES		CAUSES	REMEDY
1	The light is off.	The Heating plate is not hot.	The cooker is not connected to power supply.	Check the switch, outlet fuse, cord and connect it correctly.
		The Heating Plate is hot.	1. The lights or resistance are loose. 2. The lights or resistance is damaged.	1. Connect it. 2. Replace it.
2	The rice is half-cooked or cooking time is too long.		The Pan isn't contacting with the Heating Plate properly. 1. The Pan is warped. 2. The Heating Plate is deformed. 3. The Pan is slanting to one side. 4. Foreign matter left between the Pan and the Heating Plate is affecting performance.	1. Repair the Pan until there is contact with the Heating Plate. 2. When it is a little deformed, polish the Heating Plate with fine sand paper. 3. Turn the Pan around slightly until it fits the Heating Plate properly. 4. Remove foreign matter.
3	Does not warm automatically.		The warm thermostat is malfunctioning.	Replace it.

Exploded View

RC-E25

RC-E30

RC-E50



Rice Cooker - RC-E25, RC-E30, RC-E50

Reference Number	RC-E25 Part Number	RC-E30 Part Number	RC-E50 Part Number	Description
1	RC-E25/1	RC-E30/1	RC-E50/1	Cover w/Handle
3	RC-E25/3	RC-E30/3	RC-E50/3	Inner Aluminum Pot
4	RC-E/4	RC-E/4	RC-E50/4	Heat Sensor
5	RC-E25/5	RC-E30/5	RC-E50/5	Heating Element
6	RC-E/6	RC-E/6	RC-E/6	Fuse
7				Grate
8	RC-E/8	RC-E/8	RC-E/8	Thermostat IT-128D
9				Wiring with Porcelain
10	RC-E/10	RC-E/10	RC-E/10	Switch
11				Retort Stand
12	RC-E/12	RC-E/12	RC-E/12	Body Handle
13				Iron Shell
14	RC-E/14	RC-E/14	RC-E50/14	Power Cord and Line Clamp
16				Bottom Cover
17	RC-E25/17	RC-E30/17	RC-E50/17	Plastic Legs
18	RC-E/18	RC-E/18	RC-E/18	Switch Set
19				Brand Sticker
20	RC-E/20	RC-E/20	RC-E/20	Spoon
21	RC-E/21	RC-E/21	RC-E/21	Measuring Cup
22	RC-E/22	RC-E/22	RC-E/22	Thermostat IT-138D

ACE Electrical Equipment One Year Warranty

ACE warrants its equipment against defects in materials and workmanship, subject to the following conditions: This warranty applies to the original owner only, and is not assignable.

ACE Electrical Equipment is warranted for one year, effective from the date of purchase by the original owner. A copy of the original receipt or other proof of purchase is required to obtain warranty coverage.

Should any product fail to function in its intended manner under normal use within the limits defined in this warranty, at ACE's discretion, such product will be repaired, replaced with a refurbished unit, or replaced with a new unit by ACE, after defective unit has been inspected and defect has been confirmed. ACE does not assume any liability for extended delays in replacing any item beyond its control. This warranty does not apply to rubber and non-metallic synthetic parts where usage, wear, or lack of preventative maintenance may create abnormal replacement rates, and these parts are excluded from this limited warranty.

This warranty covers products shipped into the 48 contiguous United States, Hawaii, and metropolitan areas of Alaska and Canada. Warranty coverage on products used outside the 48 contiguous United States, Hawaii and metropolitan areas of Alaska and Canada may vary. Contact ACE for details at 1-800-223-7750

The following conditions are not covered by warranty:

- Equipment failure relating to improper installation, improper utility connection or supply and problems due to improper ventilation.
- Equipment that has not properly been maintained, damage for improper cleaning, and water damage to controls.
- Equipment that has not been used in an appropriate manner, or has been subject to misuse, neglect, abuse, accident, alteration, negligence, damage during transit, delivery or installation, fire, flood, riot, or act of God.
- Equipment that has the model number or serial number removed or altered.
- Equipment on which the security seal has been broken.

If the equipment has been changed, altered, modified, or repaired without express written permission from ACE, then the manufacturer shall not be liable for any damages to any person or to any property, which may result from the use of this equipment thereafter.

This equipment is intended for commercial use only. Warranty is void if equipment is used in other than a commercial application.

In the event your repair is not covered under the stated warranty provisions, parts are available by calling 1-800-223-7750. Equipment not covered by repair should be picked up from our warehouse facility within 10 business days from notification date. Any and all arrangements and expenses for the return of this merchandise is your responsibility.

“THE FOREGOING WARRANTY IS IN LIEU OF ANY AND ALL WARRANTIES EXPRESSED OR IMPLIED INCLUDING ANY IMPLIED WARRANTY OF MERCHANTABILITY OR FITNESS FOR PARTICULAR PURPOSES AND CONSTITUTES THE ENTIRE LIABILITY OF ACE. IN NO EVENT DOES THE LIMITED WARRANTY EXTEND BEYOND THE TERMS STATED HEREIN.”

VER40111