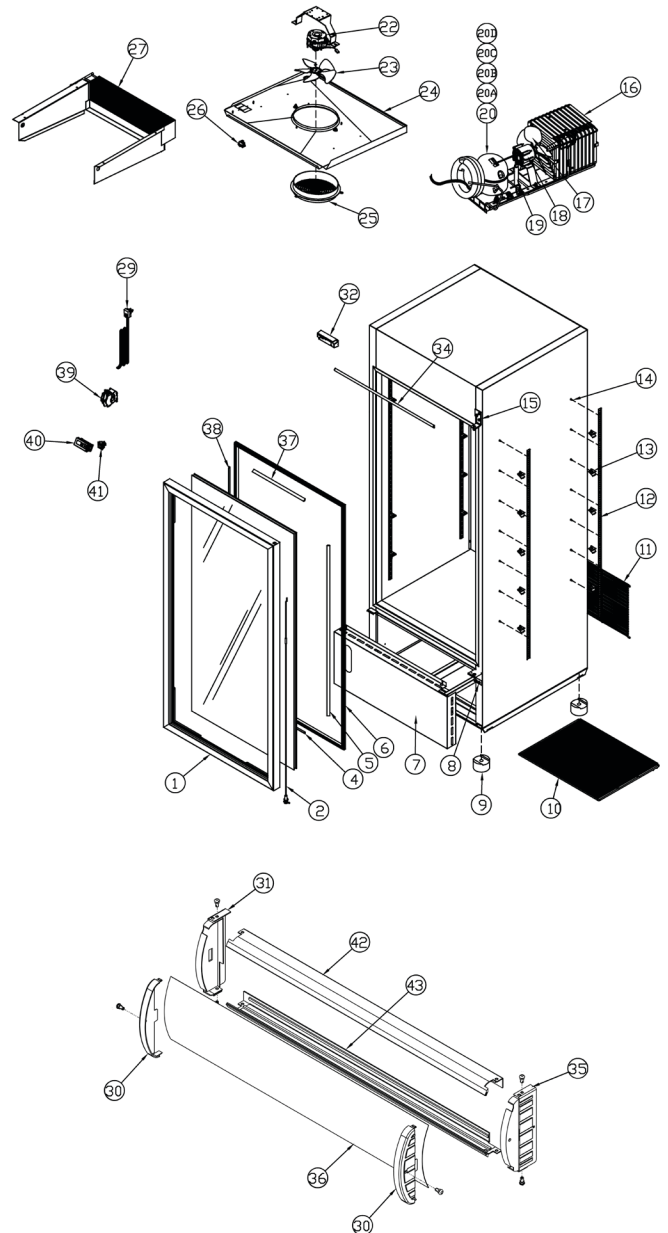


# RMH-27 Parts and Descriptions

ITEM #	PART #	DESCRIPTION
1	181408172	Door Assembly, LED, Right Swing, RMH-27/RVP-500
2	181741001	Torsion Arm Assembly
4	300396036	LED Lamp, 346 mm, 6 LED, 12 VDC
5	104008002	LED Lamp, 992 mm, 18 LED, 12 VDC
6	300484002	Magnetic Door Gasket, RHM-27, RVP-500
7	103709151	Front Grill, RMH-27
8	300125001	Support Hinge, Right Door Bottom
9	181460000	Leveler Leg, Pod, Black 1 1/2"
10	100185005	Shelf, wire, 653 x 610 mm, RVP-500/RMH-27
11	300196001	Grill, Rear, ALPA 55/77, RVP-500, RMH-27
12	100390002	Pilaster, Aluminum, 48"
13	100389003	Shelf Clip
14	100437178	Screw, Pilaster Support
15	181083003	Hinge, Right Door, Top
16	181496031	Condenser Assembly, 10 ckt
17	100436020	Fan Blade, 10", 5 blade, 28 deg, CW rotation
18	100669058	Condenser Fan Motor, Electronic, 16 watt
19	100840002	Dryer Filter
20	100397095	Compressor, Embraco, EM2X1121U
20A	100523008	Overload, Embraco, EM2X1121U
20B	100524006	Start Relay, Embraco, EM2X1121U
20C	100525008	Start Capacitor, Embraco, EM2X1121U
20D	100517502	Run Capacitor, Embraco, EM2X1121U
22	100669051	Evaporator Fan Motor, Elco, 12 Watt
23	100436011	Fan Blade, 8", 28 deg, CW rotation
24	180072124	Drain Pan Assembly, RMH-27
25	100195001	Fan Blade Guard
26	100412001	Switch, Rocker, Single Pole, Lights
27	180206020	Evaporator Coil, RMH-27
29	100388005	Power Cord, RMH
30	300219000	Canopy Cap, Side RVP/RMH
31	300217000	Canopy Lid, Side Rail, Header, Left Hand
32	183602001	LED Driver Assembly, 12 VDC, 20W
34	300396035	LED Lamp, 669 mm, 12 VDC, 12 LED
35	300218000	Canopy Lid, Side Rail, Header, Right Hand
36	300296000	Display Panel, 760 x 166 mm, white, RMH-27
37	104008001	LED Lamp, 346 mm, 12 VDC, 6 LED

ITEM #	PART #	DESCRIPTION
38	300396037	LED Lamp, 992 mm, 12 VDC, 18 LED
39	200664010	Relay, Contactor, 120 VDC coil
40	300362008	Electronic Temperature Control, AKO-D14120
41	100595003	Power Switch, Main
42	103074012	Header Rail, Upper
43	103081028	Header Rail, Lower



460 Southport Commerce Blvd.  
 Spartanburg SC 29306  
 Phone: 864-574-6004  
 Fax: 864-574-6005

www.ojedausa.com  
 sales@ojedausa.com