



Architect/Engineering Specifications:

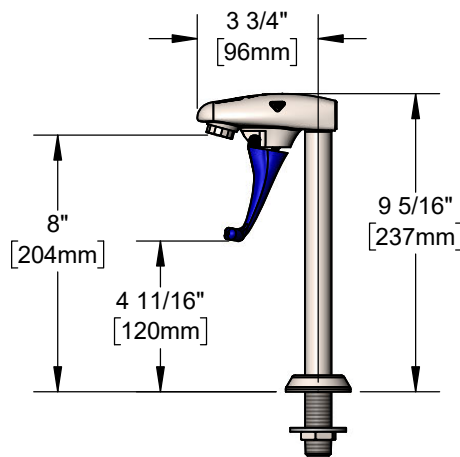
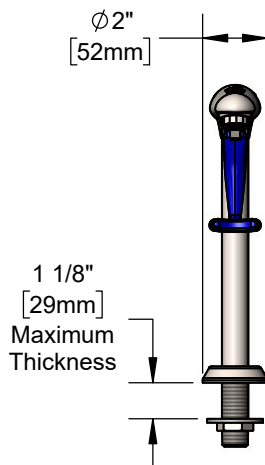
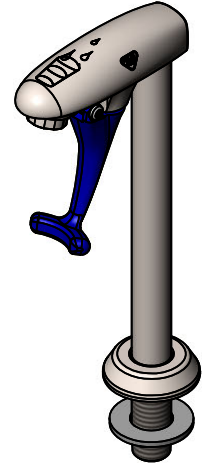
8" deck mount stainless steel glass filler, adjustable stainless steel flow outlet, push back actuation arm, stainless steel pedestal with adjustable stainless steel deck flange and 1/2" NPT stainless steel male inlet. Certified to ASME A112.18.1/CSA B125.1, NSF 61-Section 9 and NSF 372. Meets ADA ANSI/ICC A117.1 requirements.

Job Name _____

Model Specified _____ Quantity _____

Variations Specified _____

Date _____



Features & Benefits:

- 8" deck mount stainless steel glass filler
- Torx wrench adjustable stainless steel flow outlet (wrench included)
- Dark blue push back arm
- Instantaneous shut-off
- 1/2" NPT stainless steel male inlet
- Stainless steel pedestal w/ adjustable stainless steel Ø 2" flange
- Material: Stainless steel body, pedestal, deck flange and thermoplastic arm

Product Compliance:

- ASME A112.18.1 / CSA B125.1
- NSF 61 - Section 9
- NSF 372 (Low Lead Content)
- ANSI A117.1 (ADA)

Warranty: Lifetime (Limited)

Performance Data:

- Pressure: 20 - 125 psi [1.38 - 8.62 bar]
- Temperature: 40 °F - 140 °F [4.44 °C - 60 °C]
- Flow Rate: 0.25 GPM min [.95 L/min] @ 60 psi [4.14 bar]
2.25 GPM max [8.52 L/min] @ 60 psi [4.14 bar]



ADA Compliant

