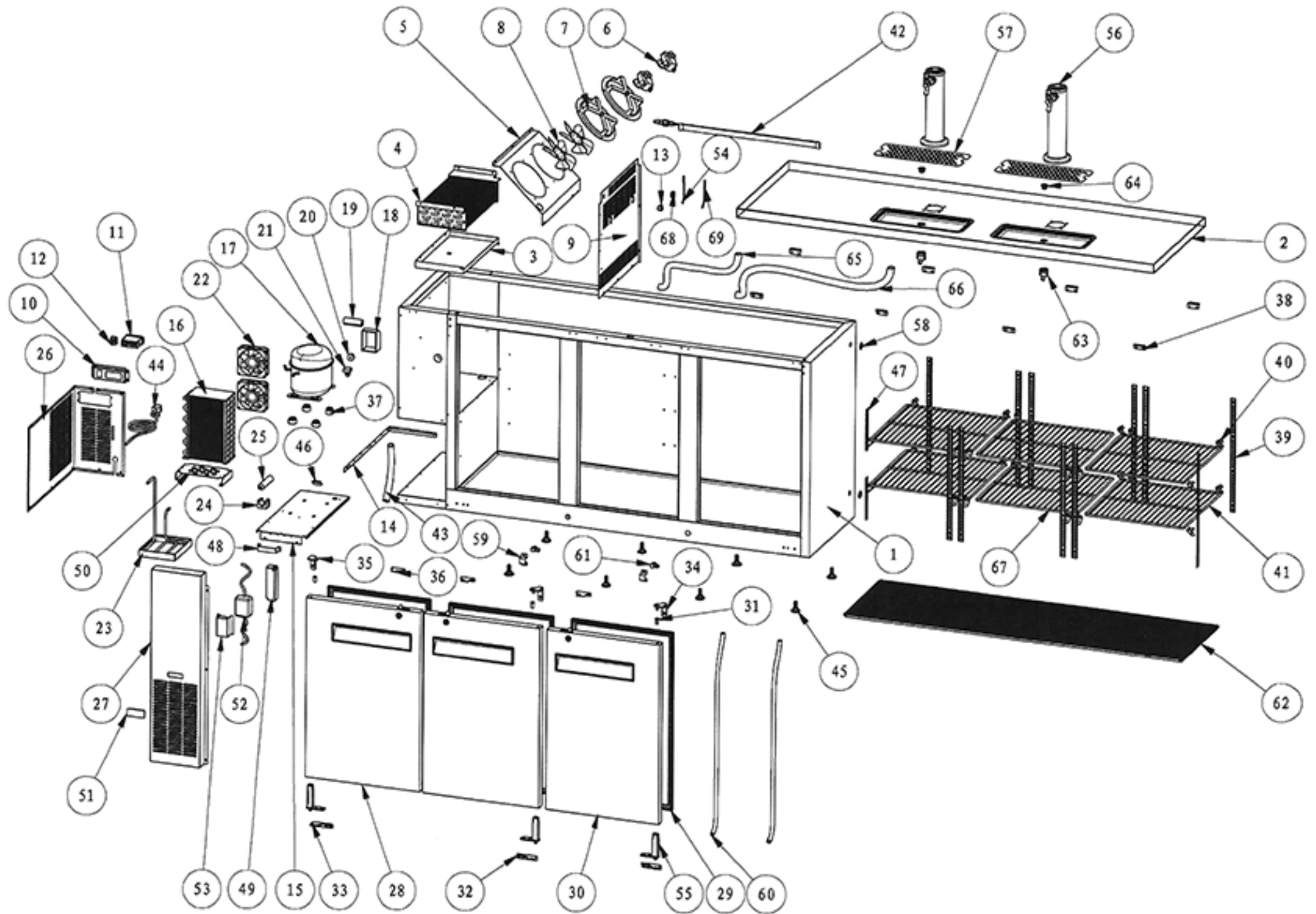


SBD-3



Part #	Part Name	Part Qty
1	Cabinet	1
2	Top Board	1
3	Inner Drain Pan	1
4	Evaporated 5R8K340L	1
5	Fan Motor Installation Panel	1
6	Evaporated Fan Motor	2
7	Evaporated Fan Motor Holder	2
8	Evaporated Fan Motor Blade	2
9	Evaporated Cover	1
10	Thermostat Installation Box	1
11	Thermostat	1
12	Power Switch	1
13	Lamp Switch	1
14	Bracket Of Lateral Cover	1
15	Compressor Unit Installation Board	1
16	Condenser 4R11K150L	1
17	Compressor_NE6187Z	1
18	Splice Box	1
19	Start Capacitor	1
20	Overload Protector	1
21	Starter	1
22	RAM4715 Condenser Fan Motor	2
23	Outer Drain Pan	1
24	Filter Base D25	1
25	Filter D25x140	1
26	Lateral Cover	1
27	Panel Of Machine Room	1
28	Left Door (Solid)	1
29	Door Gasket (Solid)	3
30	Middle & Right Door (Solid)	2
31	Axis Sleeve	3
32	Lower Right & Middle Hinge	2
33	Lower Left Hinge	1
34	Upper Right & Middle Hinge	2
35	Upper Left Hinge	1
36	Plate Of Lock	3
37	Rubber Base Of Compressor	4

38	Fixed Block Of Top Board	8
39	K Strip-4 Holes	11
40	K Clip	24
41	Left & Right Shelf	4
42	LED Bulb	1
43	Drain Hose ϕ 16	1
44	Power Cord 16AWG	1
45	Adjustable Feet_M12X45	8
46	Installation Board Limited Block	1
47	K Strip-2 Holes	2
48	Handle Of Compressor Unit Installation Board	1
49	Transformer Of LED Bulb	1
50	Condenser Installation Board	1
51	Fahrenheit Temp Display	1
52	Transformer For Fahrenheit Display	1
53	Temp Display Transformer Holder	1
54	Temp Sensor For Fahrenheit Display	1
55	Spring Hinge	3
56	Beer Tower	2
57	Top Beer Tray Plate	2
58	CO2 Pipe Hole Cover	2
59	Bottom Drain Plug Cover	2
60	Waste Beer Drain Tube	2
61	Bottom Drain Plug	2
62	Rubber Pad	1
63	Beer Tray Drain Plug	2
64	Beer Tray Drain Plug Nut	2
65	Fan Pipe	1
66	Fan Pipe (Longer)	1
67	Middle Shelf	2
68	Temp Sensor Fixer	1
69	Temp Sensor For Thermostat	1

TECHNICAL DATA

Dimensions

Exterior Dimensions (WxDxH)	72.75" x 24.375" x 35.625"
Interior Dimensions (WxDxH)	60.125" x 18.5" x 30.5"
Net Volume (cu. ft)	19.6 cu. ft
Gross Weight	381 lbs
Packaging Dimensions (WxDxH)	75" x 28" x 42"
Electrical Cord Length	94"

Cooling

Temperature Range	33° - 40° F
Refrigerant	R290
Maximum Ambient Temperature Rating	90° F
Defrosting	Automatic
Temperature Display	Yes
Temperature Controller	Digital
H/P	1/3

Construction

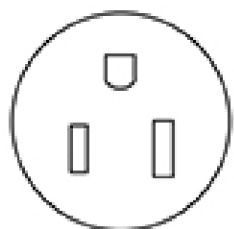
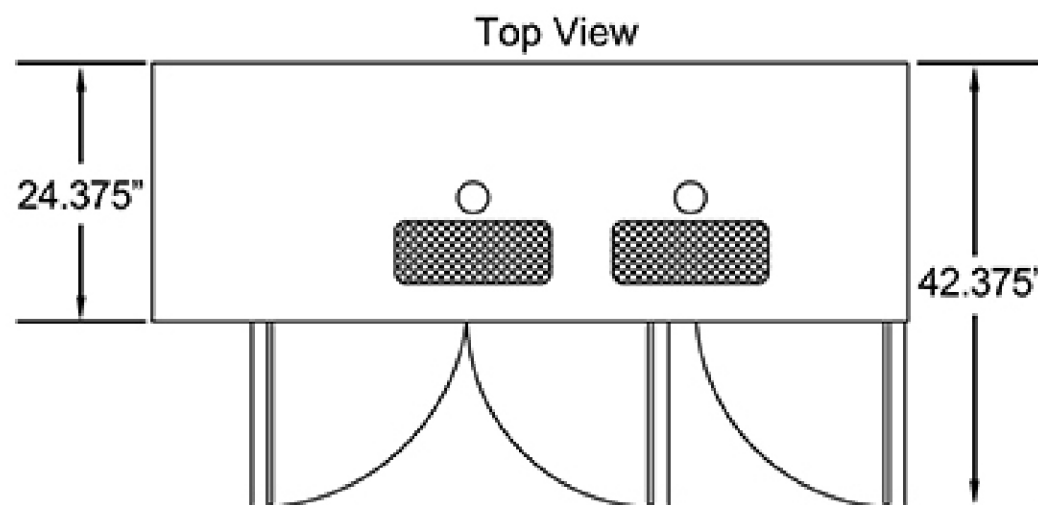
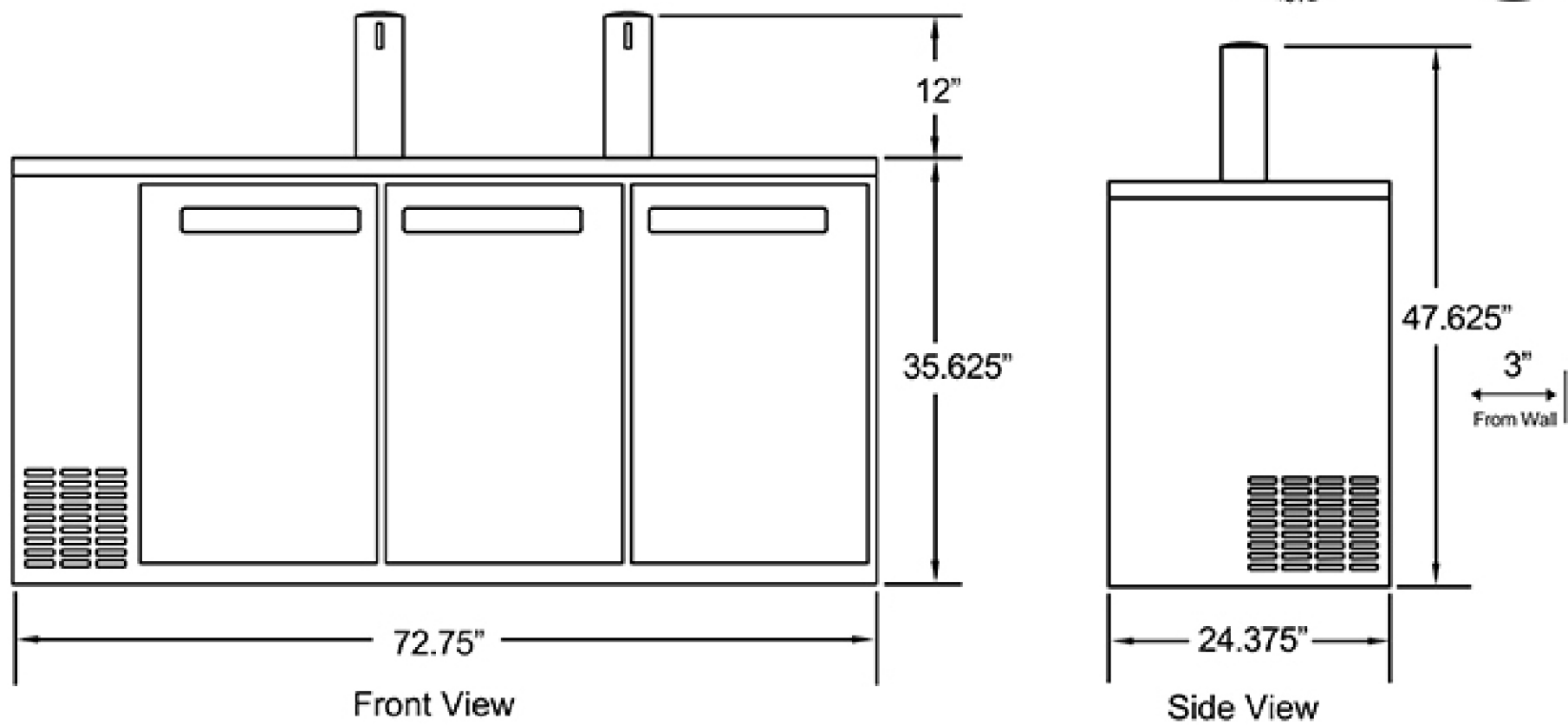
Exterior Material	430 series stainless steel
	Painted steel sides
Interior Material	304 series stainless steel
Insulation Material	Foamed in place polyurethane
Shelf Material	Plastic coated steel
Shelf Load Capacity	120 lbs

Electrical

Voltage	115
Amps	7.3
Hz	60
Phase	1



PLAN VIEW



NEMA 5-15