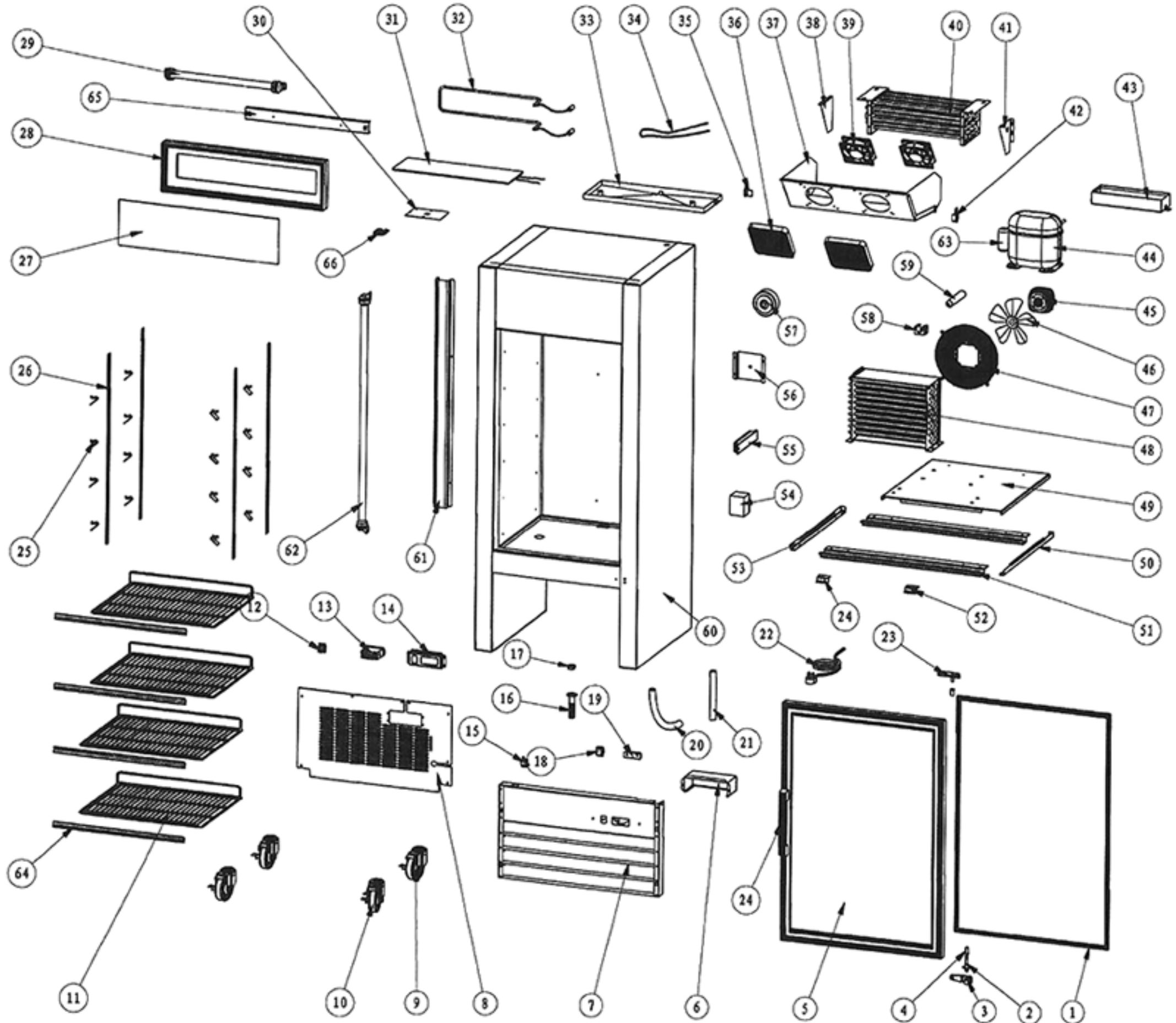


# SGF-26



<b>Part #</b>	<b>Part Name</b>	<b>Part Qty</b>
1	Door Gasket	1
2	Hinge Axis	1
3	Bottom Hinge	1
4	Axis Cover	2
5	Glass Door	1
6	Electrical Box	1
7	Front Grill	1
8	Back Grill	1
9	Caster Without Brake (Without Baseplate)	2
10	Caster With Brake (Without Baseplate)	2
11	Shelf	4
12	Power Switch	1
13	Thermostat (IR33)	1
14	Thermostat Box	1
15	Door Switch	1
16	Drain Pipe	1
17	Drain Pipe Cover	1
18	Lamp Switch (Green)	1
19	Fahrenheit Display	1
20	Drain Tube	1
21	Drain Tube	1
22	Power Cord	1
23	Upper Hinge	1
24	Installation Board Handle	1
25	K Clip	16
26	K Strip	4
27	Lamp Box Panel	1
28	Lamp Box Frame	1
29	LED Bulb 1	1
30	Wire Protection Plate	1
31	Drain Pan Heater	1
32	Defrost Heater	1
33	Inner Drain Pan	1
34	Drain Hose Heater	1
35	Left Bracket For Eva Fan Cover	1
36	Evaporated Fan Motor Cover	1
37	Evaporated Fan Cover	1

38	Left Bracket For Evaporator	1
39	Evaporator Fan Motor	2
40	Evaporator(6R7K37SL)	1
41	Right Bracket For Evaporator	1
42	Right Bracket For Eva Fan Cover	1
43	Outer Drain Pan	1
44	Compressor(T2168GK)	1
45	Condenser Fan Motor(M4Q045 CF07-04)	1
46	Condenser Fan Motor Blade(230 V28)	1
47	Condenser Fan Motor Cover	1
48	Condenser(3R10K310L)	1
49	Compressor Unit Installation Board	1
50	Right Track For Installation Board	1
51	Caster Support	2
52	Installation Board Limited Block	1
53	Left Track For Installation Board	1
54	Transformer For Fahrenheit Display	1
55	Ballast	1
56	Installation Board For Transformer	1
57	Transformer For Door Heater	1
58	Filter Fixer	2
59	Filter	1
60	Cabinet	1
61	Back Plate	1
62	LED Bulb 2	1
63	Compressor Component	1
64	Shelf Tag	4
65	Installation Board For Outer Lamp	1
66	Installation Board For Temp Sensor	1

# TECHNICAL DATA

## Dimensions

Exterior Dimensions (WxDxH)	27" x 25.5" x 84.5"
Interior Dimensions (WxDxH)	21" x 21" x 49"
Net Volume (cu. ft.)	13 cu. ft.
Gross Weight	379 lbs
Packaging Dimensions (WxDxH)	29" x 28.5" x 86"
Electrical Cord Length	84"

## Cooling

Temperature Range	-10° - 5° F
Refrigerant	R290
Maximum Ambient Temperature Rating	90° F
Defrosting	Automatic
Temperature Display	Yes
Temperature Controller	Digital
H/P	1/2

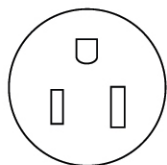
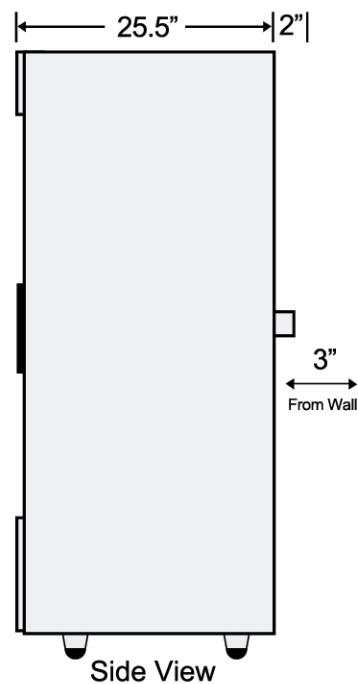
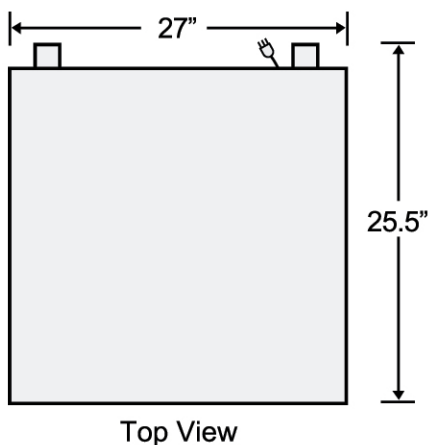
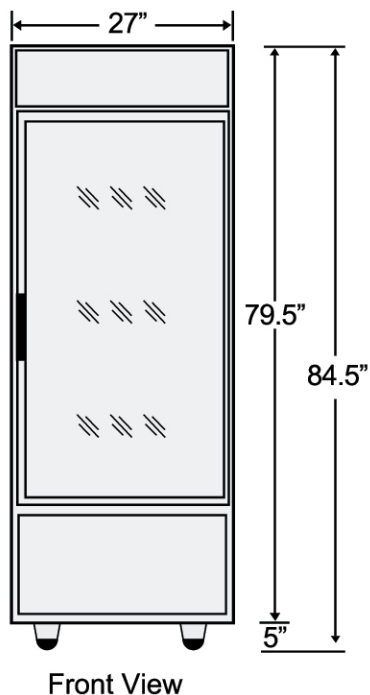
## Construction

Exterior Material	Painted steel
Door/Lid Material	Glass Door
Insulation Material	Foamed in place polyurethane
Shelf Material	Plastic coated steel
Shelf Load Capacity	90 lbs

## Electrical

Voltage	120
Amps	7.8
Hz	60

## PLAN VIEW



NEMA 5-15