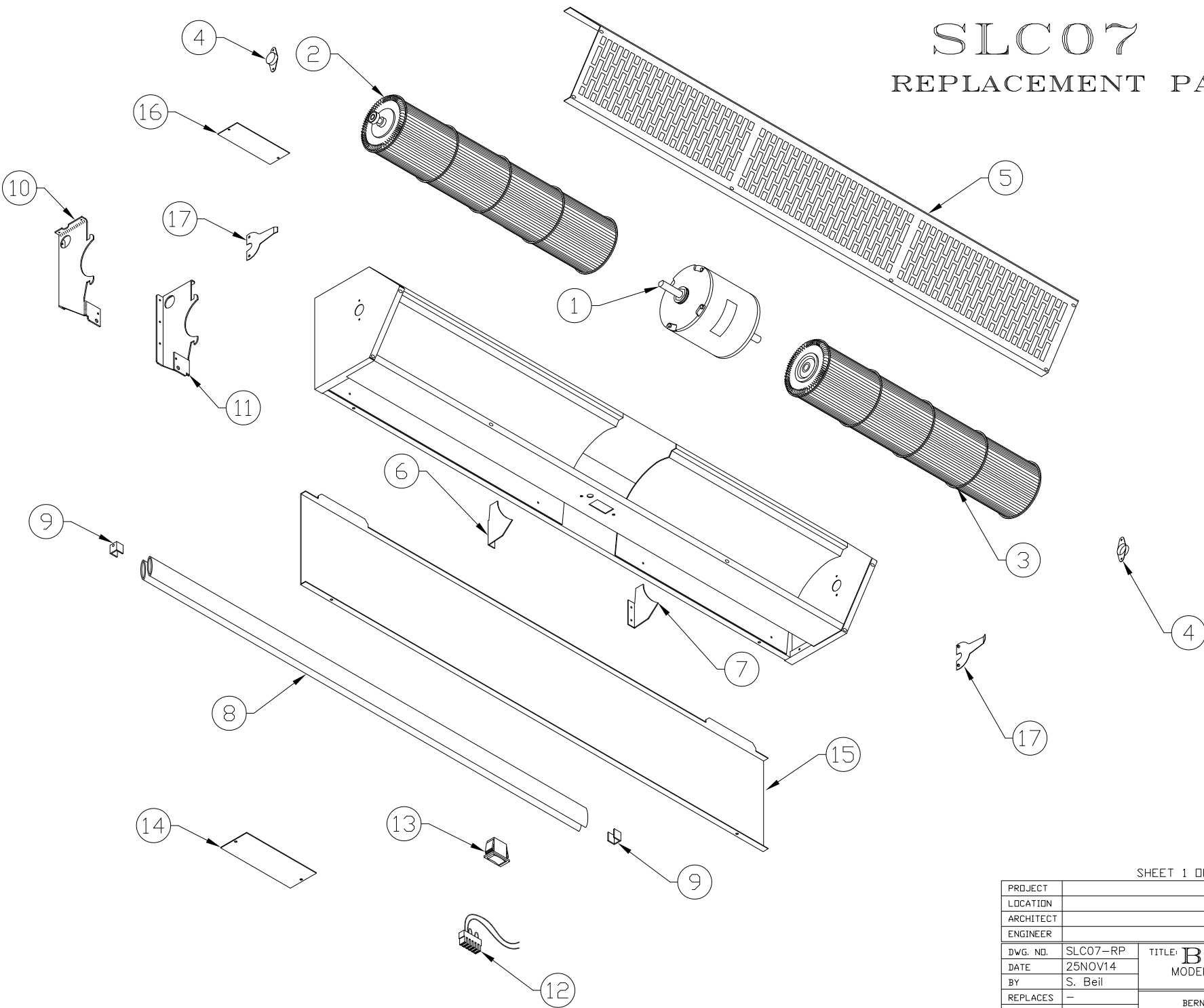


# SLC07 REPLACEMENT PARTS



SHEET 1 OF 2

PROJECT		
LOCATION		
ARCHITECT		
ENGINEER		REV. -
DWG. NO.	SLC07-RP	TITLE: <b>BERNER</b>
DATE	25NOV14	MODEL: SLC07 AIR CURTAIN
BY	S. Beil	REPLACEMENT PARTS
REPLACES	-	BERNER INTERNATIONAL CORP. NEW CASTLE, PA.
BY	-	

# SLC07

## REPLACEMENT PARTS

ITEM	DESCRIPTION	PART #
1	MOTOR, 1/5 HP, (120-208/240V, 1PH)	011F5042F1X18C-TE
2	BLOWER WHEEL - LEFT HAND (specify length - inches)	29T450S012A-L**
3	BLOWER WHEEL - RIGHT HAND (specify length - inches)	29T450S012A-R**
4	BEARING CUP - (ships with blower wheel)	N/A
5	INLET SCREEN - STANDARD (specify length - inches)	40EZN***IS
5	INLET SCREEN - STAINLESS STEEL (specify length - inches)	40EZN***IS-SS
6	LEFT DIVERTER	40ZPR000D-L
7	RIGHT DIVERTER	40ZPR000D-R
8	NOZZLE VANE (specify vane length - inches)	06ALM516ARF-121
9	NOZZLE VANE CLIP	40GEN-NVC
10	MOTOR BASE LEFT BRACKET - STANDARD	40EZ012MMC-1F5-L
10	MOTOR BASE LEFT BRACKET - STAINLESS STEEL	40EZ012MMC-1F5-L-SS
11	MOTOR BASE RIGHT BRACKET - STANDARD	40EZ012MMC-1F5-R
11	MOTOR BASE RIGHT BRACKET - STAINLESS STEEL	40EZ012MMC-1F5-R-SS
12	MOTOR WIRING HARNESS, 1/5 HP, 120V	505WH115LWA
12	MOTOR WIRING HARNESS, 1/5 HP, 208/240V	505WH230LWA
13	ROCKER SWITCH, SNGL-20A, BEZEL MNT, DPST, (FAN ON/OFF)	33A020B-DS
14	BERNER NAME PLATE	55BERN-2X5
15	WALL MOUNTING PLATE - STANDARD (specify length - inches)	40EZN***WMP
15	WALL MOUNTING PLATE - STAINLESS STEEL (specify length - inches)	40EZN***WMP-SS
16	WIRING COMPARTMENT COVER - STANDARD	40EZN000WC-C
16	WIRING COMPARTMENT COVER - STAINLESS STEEL	40EZN000WC-C-SS
17	BEARING RETAINER - STANDARD	40EZN000BR-U
17	BEARING RETAINER - STAINLESS STEEL	40EZN000BR-U-SS

\*\*\* SPECIFY LENGTH (IN INCHES)

\*\* SPECIFY LENGTH (IN INCHES)

SHEET 2 OF 2

PROJECT			
LOCATION			
ARCHITECT			
ENGINEER			REV.   -
DWG. NO.	SLC07-RP	TITLE:	<b>BERNER</b>
DATE	25NOV14		MODEL: SLC07 AIR CURTAIN
BY	S. Beil		REPLACEMENT PARTS
REPLACES	-	BERNER INTERNATIONAL CORP. NEW CASTLE, PA.	
BY	-		