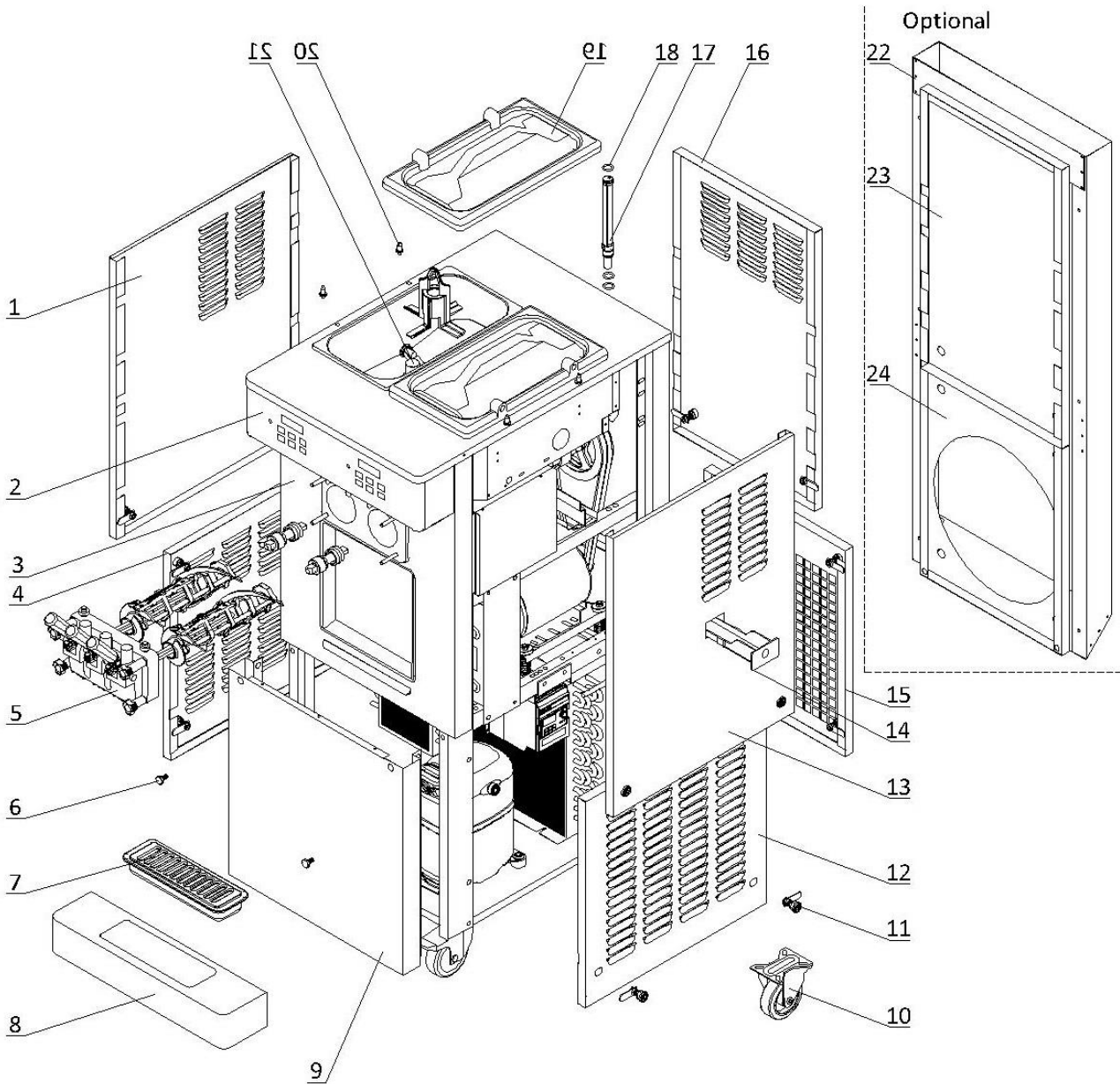


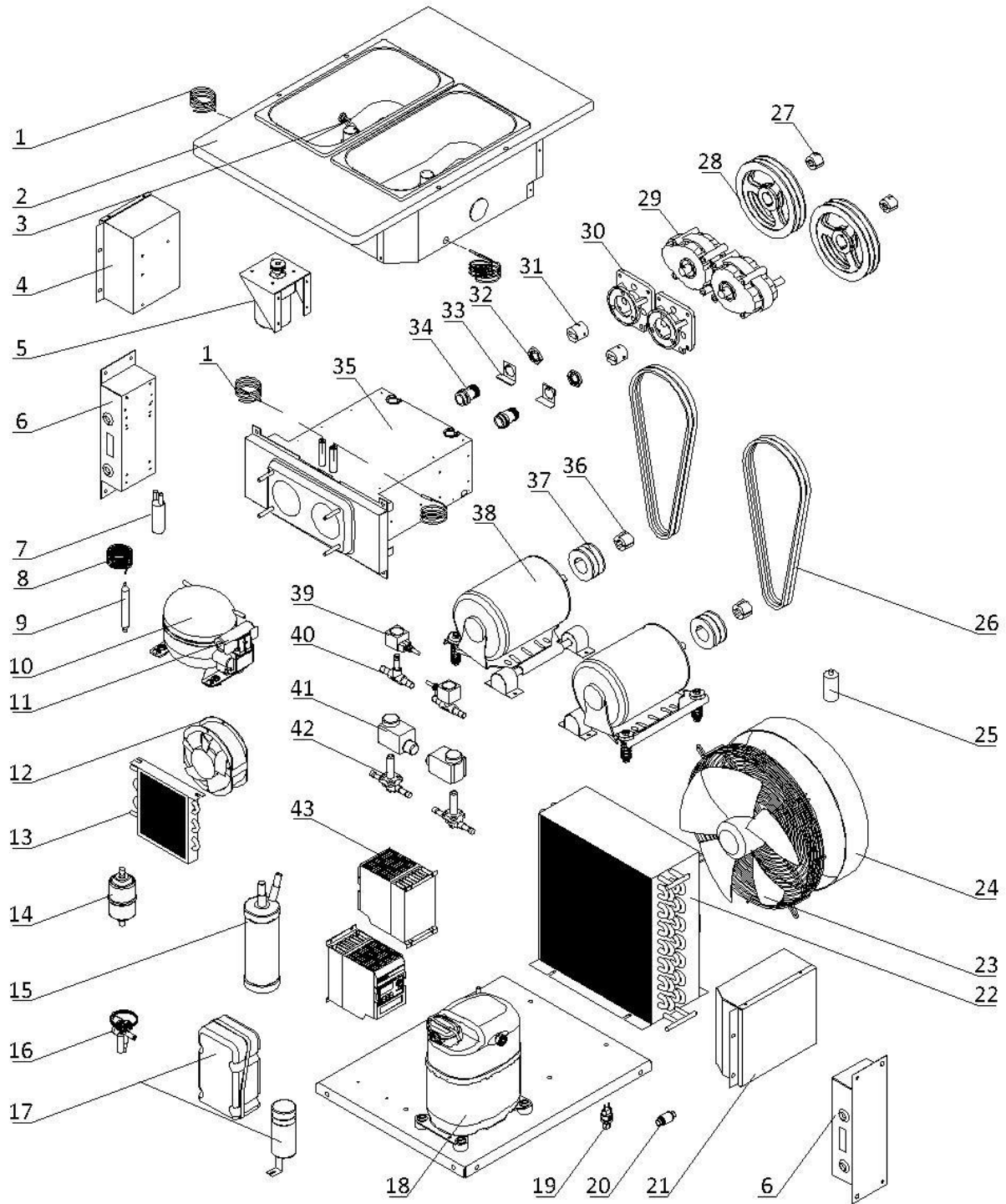
1. External Parts



1. External Parts

Item	Part Number	Description	Qty.
1	2.3.4.29.007	Panel - Upper Left - 6250-C/6250-AC	1
2	Page 6	Draw Switch and Front Control Panel	1
3	2.3.4.26.038	Panel - Upper Front - 6250-C/6250-AC	1
4	2.3.4.32.016	Panel - Lower Left - 6250-C/6250-AC	1
5	Page 5	Dispensing Door and Beater	1
6	3.6.39.004	Drip Tray Mounting Bolt	2
7	3.4.04.01.006	Front Drip Tray - 30mm	1
8	2.3.4.45.353	Support - Front Drip Tray - V2	1
9	2.3.4.27.032	Panel - Lower Front - 6250-C/6250-AC	1
10	3.3.05.02.001	Caster Swivel - 100X34	4
11	8.1.07.001	Panel Lock Assembly	18
12	2.3.4.32.004	Panel - Lower Right - 6250-C/6250-AC	1
13	2.3.4.31.010	Panel - Upper Right - 6250-C/6250-AC	1
14	3.4.04.02.001	Internal Drip Tray - 45mm	1
15	2.3.4.25.032	Panel - Lower Rear - 6250-C/6250-AC	1
16	2.3.4.24.025	Panel - Upper Rear - 6250-C/6250-AC	1
17	2.1.3.39.0011	Air Tube - SS - Long - V3	2
18	3.4.08.01.002	O-Ring - 18x2.2	6
19	3.4.03.01.004	Hopper Lid - 12-15L	2
20	3.6.39.011	Hopper Lid Holder	4
21	Page 7	Hopper Agitator	2
22	2.3.4.34.044	Air Chute - 6250-C/6250-AC (Optional)	1
23	2.3.4.24.026	Panel - Upper Rear - Air Chute - 6250-C/6250-AC (Optional)	1
24	2.3.4.25.034	Panel - Lower Rear - Air Chute - 6250-C/6250-AC (Optional)	1

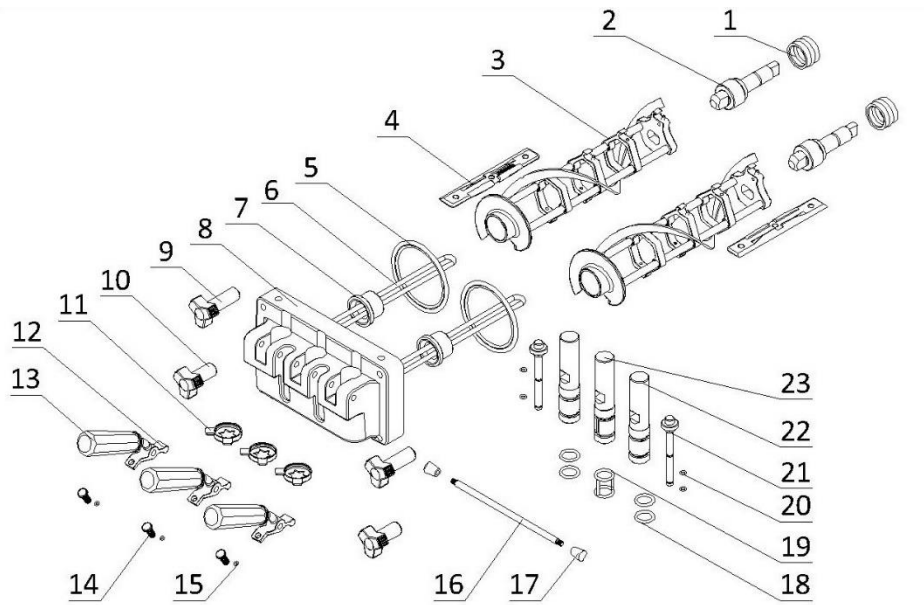
2. Internal Parts



Item	Part Number	Description	Qty.
1	3.1.02.13.020	Temperature Probe - PT100	4
2	2.1.1.03.0054	Hopper Assembly - 6235-C/6250-C	1
3	920.1.04.0002	Mix Low Sensor Assembly	2
4	Page 9	Electrical Box - Left	1
5	Page 7	Agitator Motor Assembly	2

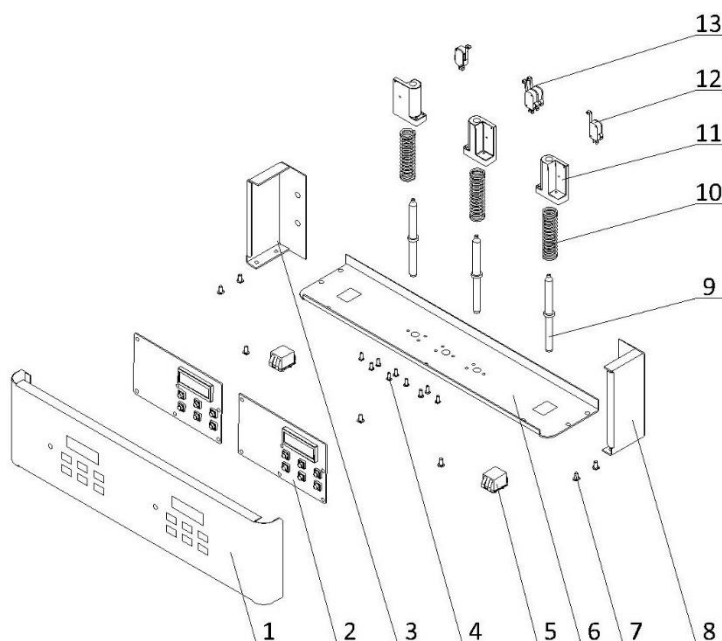
6	Page 8	Control Box	2
7	3.2.04.07.001	Suction Accumulator - 25×100×0.6	1
8	3.2.05.01.003	Capillary Tube - 2.2×0.9	1
9	3.2.04.05.001	Filter Drier - Hopper - 16×2.2×120	1
10	3.2.01.01.005.A	Auxiliary Compressor - TL3G	1
11	3.2.01.01.005-1	Start Component - Compressor - TL3G	1
12	3.2.03.01.001	Fan Motor - BT220-15050S2HL	1
	3.2.03.01.005	Fan Motor - UF-1751B22H (Alternative)	1
13	3.2.02.01.001	Auxiliary Condenser - Single - 0.7m ²	1
14	3.2.04.05.002	Filter Drier - Cylinder - DML083S	1
15	3.2.04.08.001	liquid Receiver - 76×280	1
16	3.2.04.01.012	Thermal Expansion Valve - TUB2132	1
	3.2.04.01.001	Expansion Valve - T2 (Adapters included) (Alternative)	1
17	3.2.01.04.004	Start Component - Compressor - CAJ2464Z	1
	3.2.01.04.024	Start Component - Compressor - CAJ4519Z (Alternative)	1
18	3.2.01.02.005.A	Primary Compressor - CAJ2464Z	1
	3.2.01.02.042.A	Primary Compressor - CAJ4519Z (Alternative)	1
19	3.2.04.06.004	High Pressure Switch - 350~500psi	1
20	3.2.04.05.010	Copper Strainer Filter - φ12	1
21	Page 9	Electrical Box - Right	1
22	3.2.02.01.007	Main Condenser - Single - 10m ²	1
23	3.2.03.04.001	Fan Motor - 220/60/1 - YWF4E-350S	1
24	2.1.3.50.0002	Fan Shroud - 120mm	1
25	3.2.03.04.001-2	Capacitor - Fan Motor - 450V - 5μF - CBB60	1
26	3.3.03.01.013	Belt - Motor to Beater - XPA1060	4
27	3.3.04.01.005	Bushing - 1008-16	2
28	3.3.04.02.007	Pulley - Gear Box - SPA182-2-1008	2
29	3.3.02.01.023	Gear Box - SS - 45*20 Shaft - 89mm	2
	3.3.02.01.028	Gear Box - SS - 45*20 Shaft - 89mm (Alternative)	2
30	2.1.3.15.0009	Bracket - Gear Box - 1.3-1.8qt - 89mm	2
31	3.3.02.04.008	Coupling Drive - 1.3-1.8qt - 20mm - V2	2
32	3.3.02.02.010	Nut - Rear Shell Bearing	2
33	2.3.6.04.029	Lock Plate - Rear Shell Bearing - 39mm	2
34	3.3.02.02.001	Rear Shell Bearing - SS - 1.3/1.8qt	2
35	2.1.1.06.0104	Cylinder Assembly - 2F - 1.8qt	1
	2.1.1.06.0093	W.E. Cylinder Assembly - 2F - 1.8qt (Alternative)	1
36	3.3.04.01.006	Bushing - 1108-16	2
37	3.3.04.02.003	Pulley - Beater Motor - SPA71-2-1108	2
38	3.3.01.04.005	Motor - 750W/3Ph - P56AH60F41	2
39	3.2.04.04.020	Solenoid Coil - 220V/6W	2
40	3.2.04.04.004	Solenoid Valve Body - EVU6 - 6W	2
41	3.2.04.04.015	Solenoid Coil - 1068	2
42	3.2.04.04.002	Solenoid Valve Body - 1068	2
43	3.1.01.08.006	Inverter - 0.75kW - EFC3610-0K75-1P2-MDA	2

2. Dispensing Door and Beater



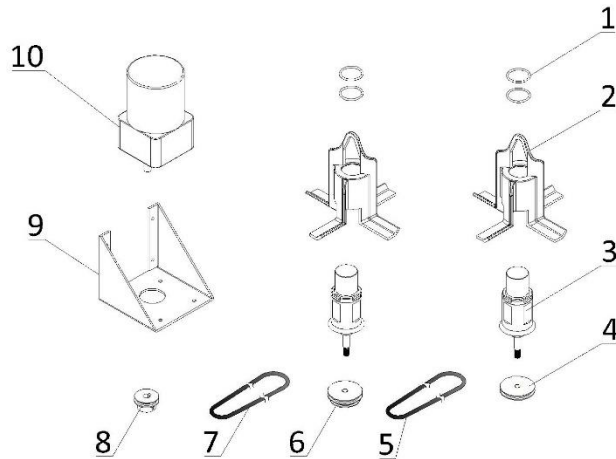
Item	Part Number	Description	Qty.
1	3.4.07.05.002	Gasket - Drive Shaft	2
2	2.1.3.25.0001	Drive Shaft - SS - 1.3-1.8qt	2
3	2.1.1.10.0017	Beater - SS - Medium - 1.8qt - V2	2
4	3.4.02.01.005	Scraper Blade - Small - V2	4
5	3.4.08.02.007	Door Gasket - SS - 1.3-1.8qt	2
6	2.1.1.11.0005	Beater Rod - SS - 1.8qt - V2 (With O-Ring)	2
7	3.4.01.03.007	Beater Guide - SS - 1.3-1.8qt - V2	2
8	2.1.3.14.0024	Dispensing Door - SS - 2F - 1.8qt - V2	1
9	3.4.05.02.010	Hand Screw - Long - Dispensing - 1.8qt	2
10	3.4.05.02.008	Hand Screw - Short - Dispensing - 1.8qt	2
11	3.4.05.03.005	Design Cap - Double Triangle - 37mm	3
12	2.1.3.26.0001	Seat - Handle - 2F - 1.3-1.8qt	3
13	3.4.05.01.001	Handle - Dispensing - SS	3
14	3.6.39.009	Adjustment Screw - Handle - 22mm	3
15	3.4.08.01.012	O-Ring - 3x1.5	3
16	2.1.3.27.0002	Retention Pin - Handle - 2F - 1.8qt	1
17	2.1.3.27.0025	Nut - Retention Pin - Handle	2
18	3.4.08.01.011	O-Ring - 19x3	4
19	3.4.08.01.019	H-Ring - 19x3x2	1
20	3.4.08.01.013	O-Ring - 5.2x1.9	4
21	2.1.3.02.0015	Prime Plug - SS - Standard	2
22	2.1.3.01.0009	Draw Valve - SS - 2F - 1.8qt - Side	2
23	2.1.3.02.0003	Draw Valve - SS - 2F - 1.8qt - Middle	1

3. Draw Switch and Front Control Panel



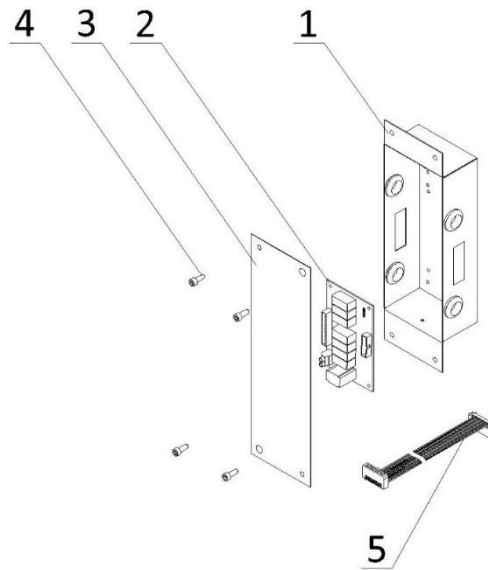
Item	Part Number	Description	Qty.
1	2.3.4.36.024	Panel - Overhead Front - 2F - 1.8qt	1
	3.1.06.05.019	Sticker - 2F - 1.8qt	1
2	920.1.01.0006	Control Board - SS - V2.152 - Horizontal - V2	2
3	2.3.4.37.044	Panel - Overhead Left - 6250-C/6250A-C	1
4	3.6.22.028	Screw - M4×12	9
5	3.1.03.03.003	Power Switch - KCD2-2	2
6	2.3.4.39.042	Panel - Overhead Bottom - 2F - 1.8qt	1
7	3.6.22.010	Screw_ M5×10	7
8	2.3.4.38.042	Panel - Overhead Right - 6250-C/6250A-C	1
9	2.1.3.50.0066	Shaft - Draw Switch - 2F - 1.8qt	3
10	3.6.03.012	Spring - Shaft - Draw Switch	3
11	3.4.07.06.008	Bracket - Micro Switch & Shaft & Spring	3
12	3.1.03.01.002	Micro Switch - KW-7-2	2
13	3.1.03.01.005	Micro Switch - KW-7-2X2	1

4. Hopper Agitator



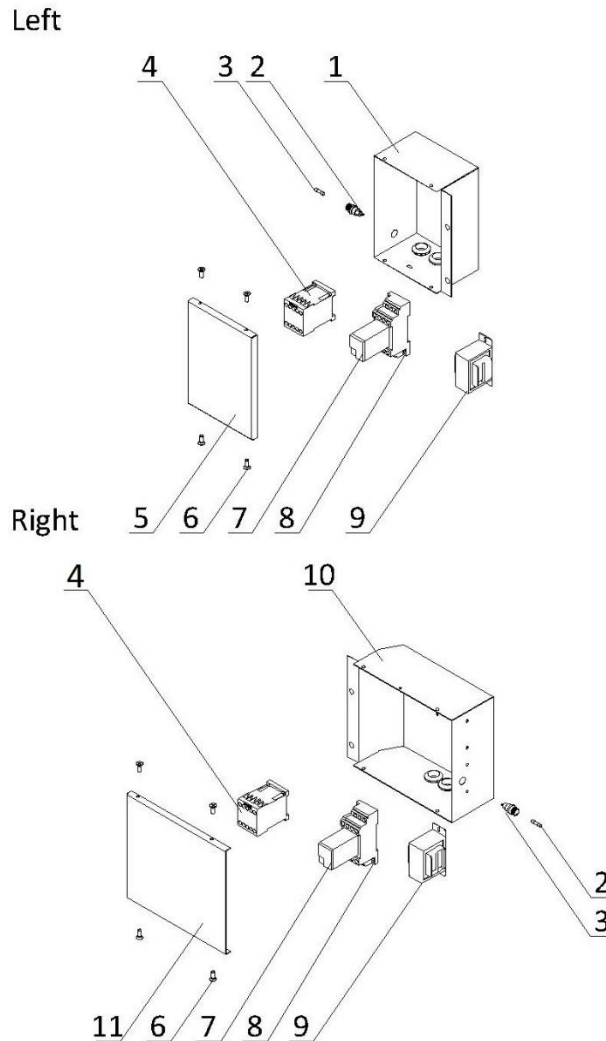
Item	Part Number	Description	Qty.
1	3.4.08.01.034	O-Ring - 31x2	4
2	2.1.1.23.0002	Blade - Hopper Agitator - Standard - V2	2
3	2.1.1.12.0003	Agitator Assembly - 124mm	2
4	2.1.4.02.015	Pulley - Hopper Agitator - Single - 53mm	1
5	2.1.4.08.003	Belt - Hopper Agitator - 610mm	1
6	2.1.4.02.016	Pulley - Hopper Agitator - Double - 53mm	1
7	2.1.4.08.023	Belt - Hopper Agitator - 260mm	1
8	3.3.04.04.006	Pulley - Hopper Agitator - Drive - 30mm	1
9	2.3.4.45.007	Bracket - Agitator Motor - 110mm	1
10	3.3.01.01.006	Motor - Agitator - 220V - YN80-25-6G	1

5. Control Box



Item	Part Number	Description	Qty.
1	2.2.4.23.0001	Control Box - 6250-C/6250-AC	2
2	2.2.1.01.0007	Power Board - SS - V2.152	2
3	2.2.4.23.0002	Cover - Control Box - 6250-C/6250-AC	2
4	3.6.11.021	Screw - M6×16	8
5	3.1.04.01.003	Ribbon Cable - 20 Pin	2

6. Electrical Box



Item	Part Number	Description	Qty.
1	2.2.4.18.0001	Electrical Box Left - 6250-C/6250-AC	1
2	3.1.02.08.012	Seat - Fuse - 250V	2
3	3.1.02.08.002	Fuse - 0.5A	2
4	3.1.01.01.010	Contactor - 220V - 3RT6017-1AN21	2
5	2.2.4.21.0001	Cover - Electrical Box Left - 6250-C/6250-AC	1
6	3.6.19.001	Screw - M4x8	8
7	3.1.01.03.029	Intermediate Relay - AC220V - HH54P-L	2
8	3.1.01.03.031	Base - Relay - TP514X1-E	2
9	3.1.01.04.007	Transformer - 50W - 50313MW-32	2
10	2.2.4.19.0001	Electrical Box Right - 6250-C/6250-AC	1
11	2.2.4.22.0001	Cover - Electrical Box Right - 6250-C/6250-AC	1