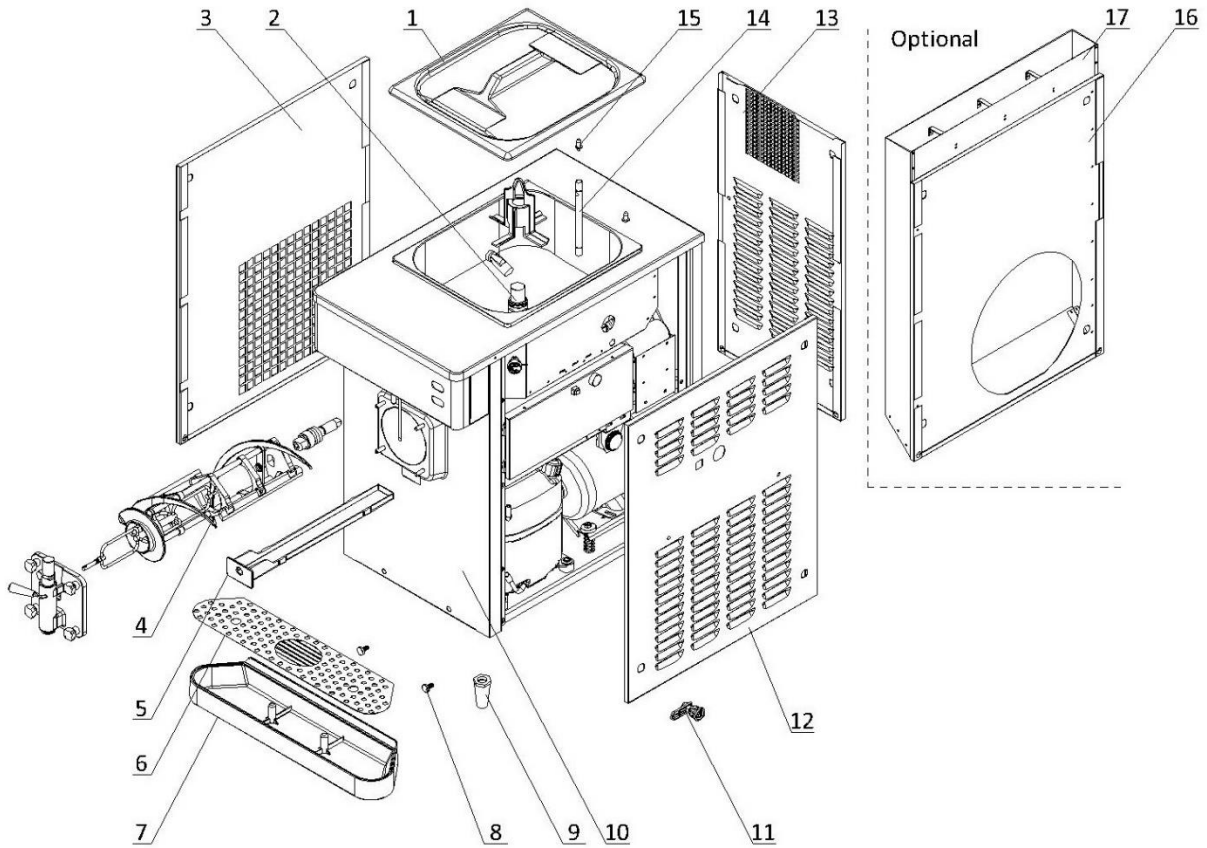


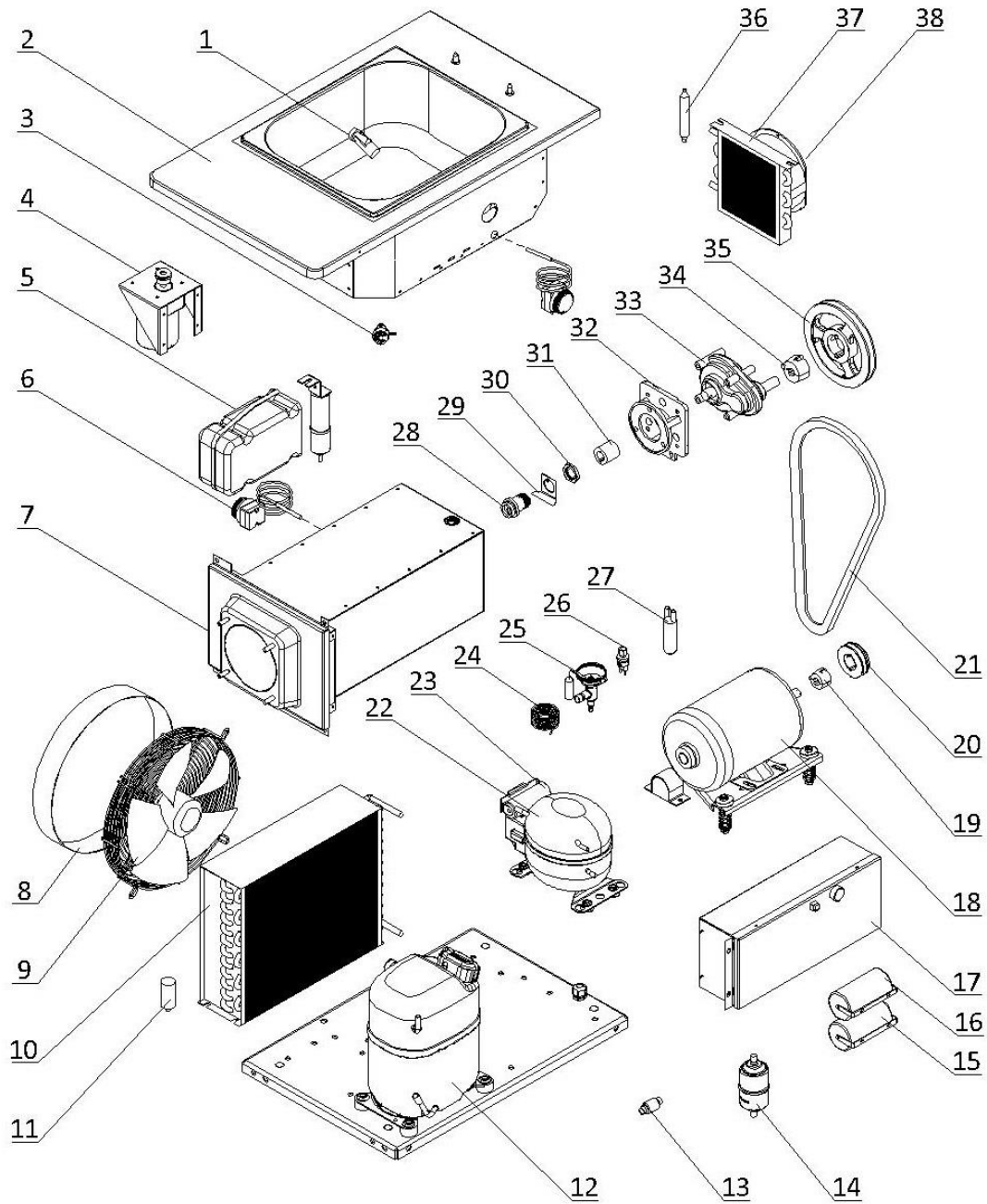
1. External Parts



1. External Parts

Item	Part Number	Description	Qty.
1	3.4.03.02.001	Hopper Lid - 25L	1
2	Page 7	Hopper Agitator	1
3	2.3.4.28.054	Panel - Left - 6690-C	1
4	Page 5	Dispensing Door and Beater	1
5	3.4.04.02.006	Internal Drip Tray - 45mm - A	1
6	2.3.4.45.092	Splash Shield - Front Drip Tray - 58mm - White - S	1
7	3.4.04.01.010	Front Drip Tray - 58mm - White	1
8	3.6.39.004	Drip Tray Mounting Bolt	2
9	3.3.05.03.005	Leg - 68mm	4
10	2.3.4.26.054	Panel - Lower Front - 6690-C	1
11	8.1.07.001	Panel Lock Assembly	12
12	2.3.4.30.049	Panel - Right - 6690-C	1
13	2.3.4.23.071	Panel - Rear - 6690-C	1
14	2.1.3.39.0006	Air Tube - FB	1
15	3.6.39.011	Hopper Lid Holder	2
16	2.3.4.28.055	Panel - Left - Air Chute - 6690-C (Optional)	1
17	2.3.4.34.060	Air Chute - 6690-C (Optional)	1

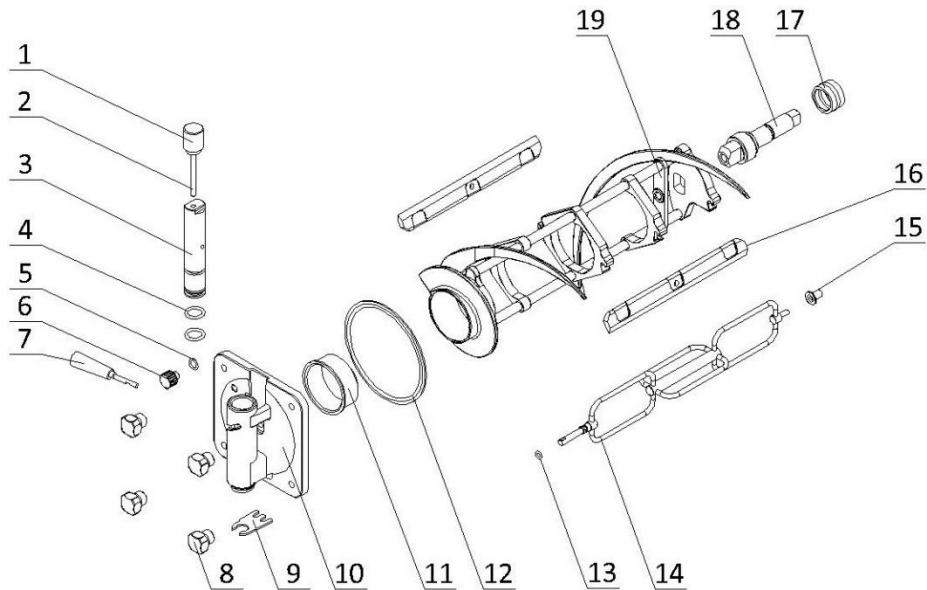
2. Internal Parts



2. Internal Parts

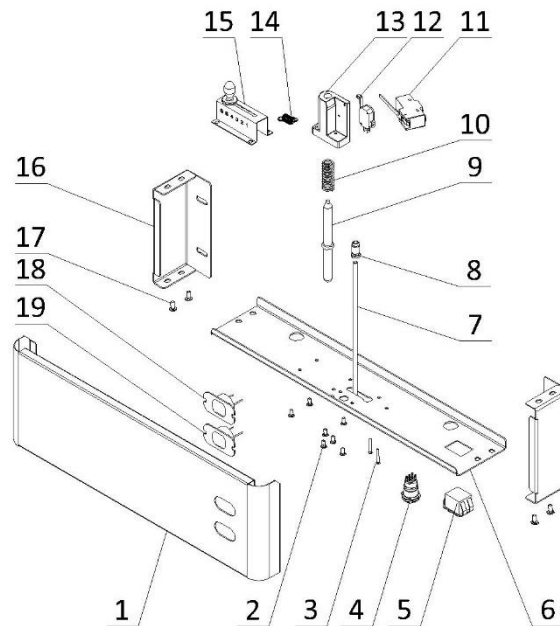
Item	Part Number	Description	Qty.
1	920.1.04.0002	Mix Low Sensor Assembly	1
2	2.1.1.03.0027	Hopper Assembly - 6690-C	1
3	3.1.02.15.003	Alarm - Low Mix - DC3-24V	1
4	Page 7	Agitator Motor	1
5	3.2.01.04.004	Start Component - Compressor - CAJ2464Z	1
	3.2.01.04.024	Start Component - Compressor - CAJ4519Z (Alternative)	1
6	3.1.01.07.003	Thermostat - 0-40°C	2
	3.1.01.07.002	Thermostat - ±30°C (Alternative)	2
7	2.1.1.06.0069	Cylinder Assembly - 6690-C	1
8	2.1.3.50.0001	Fan Shroud - 155mm	1
9	3.2.03.04.002	Fan Motor - 220-60-1 - YWF4E-300S	1
10	3.2.02.01.006	Main Condenser - Single - 8m ² - 410x315x100	1
11	3.2.03.04.002-2	Capacitor - Fan Motor - 450V - 1.5µF - CBB60	1
12	3.2.01.02.005.A	Primary Compressor - CAJ2464Z	1
	3.2.01.02.042.A	Primary Compressor - CAJ4519Z (Alternative)	1
13	3.2.04.05.010	Copper Strainer Filter - φ12	1
14	3.2.04.05.002	Filter Drier - Cylinder - DML083S	1
15	3.1.02.22.062	Capacitor - Start - 330V - 160µF	1
16	3.1.02.22.009	Capacitor - Running - 370V - 25µF	1
17	Page 8	Electrical Box	1
18	3.3.01.07.010	Motor - 220/60/1 - 450W - K56AC66AF41	1
19	3.3.04.01.005	Bushing - 1008-16	1
20	3.3.04.02.012	Pulley - Beater Motor - SPA63-1-1008	1
21	3.3.03.01.022	Belt - Motor to Beater - V-XPA850	1
22	3.2.01.01.005.A	Auxiliary Compressor - TL3G	1
23	3.2.01.01.005-1	Start Component - Compressor - TL3G	1
24	3.2.05.01.003	Capillary Tube - 2.2×0.9	1
25	3.2.04.01.013	Thermal Expansion Valve - TUB2134	1
	3.2.04.01.001	Expansion Valve - T2 (Adapters included) (Alternative)	1
26	3.2.04.06.004	High Pressure Switch - 350~500psi	1
27	3.2.04.07.001	Suction Accumulator - 25×100×0.6	1
28	3.3.02.02.002	Rear Shell Bearing - SS (3.4qt) + FB	1
29	2.3.6.04.004	Lock Plate - Rear Shell Bearing - 42mm	1
30	3.3.02.02.010	Nut - Rear Shell Bearing	1
31	3.3.02.04.009	Coupling Drive - 3.4qt-4.0qt-7.3qt - 20mm - V2	1
32	2.1.3.15.0003	Bracket - Gear Box - 3.4-7.3qt - 79mm	1
33	3.3.02.01.024	Gear Box - FB - 45*20 Shaft - 79mm	1
34	3.3.04.01.008	Bushing - 1610-16	1
35	3.3.04.02.006	Pulley - Gear Box - SPA112-1-1610	1
36	3.2.04.05.001	Filter Drier - Hopper - 16×2.2×120	1
37	3.2.02.01.001	Auxiliary Condenser - Single - 0.7m ²	1
38	3.2.03.01.001	Fan Motor - BT220-15050S2HL	1
	3.2.03.01.005	Fan Motor - UF-1751B22H (Alternative)	1

3. Dispensing Door and Beater Assembly



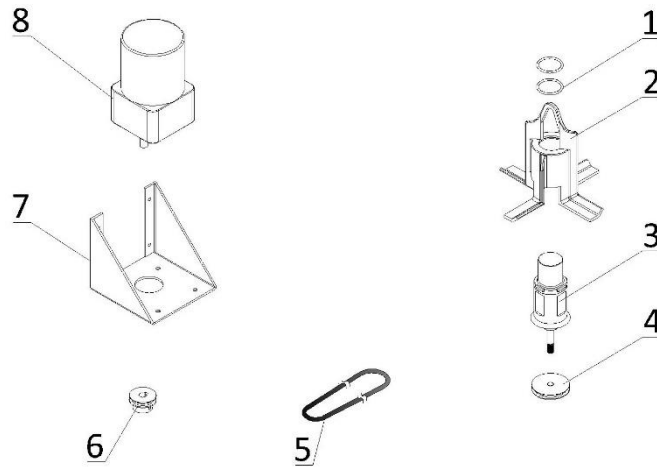
Item	Part Number	Description	Qty.
1	2.1.3.36.0004	Weight - Draw Valve - FB	1
2	2.1.3.36.0003	Pin - Draw Valve - FB	1
3	2.1.3.01.0006	Draw Valve - FB	1
4	3.4.08.01.036	O-Ring - 19x3.55	2
5	3.4.08.01.008	O-Ring - 11.5x2.5	2
6	3.4.07.08.001	Prime Plug - FB	1
7	3.4.05.01.002	Handle - Dispensing - FB	1
8	2.1.3.32.0004	Hand Screw - Dispensing - FB	4
9	2.1.4.04.014	Ice Buster - Dispensing - FB	1
10	2.1.3.14.0006	Dispensing Door - FB	1
11	3.4.01.03.003	Beater Guide - FB	1
12	3.4.08.02.012	Door Gasket - FB	1
13	3.4.08.01.017	O-Ring - 11x2.4	1
14	2.1.1.31.0003	Torque Rotor - 7.3qt - V2	1
15	3.4.01.03.012	Torque Guide - V2	1
16	3.4.02.01.006	Scraper Blade - FB - V2	2
	3.4.02.01.009	Scraper Blade - 243mm (Alternative)	2
17	3.4.07.05.002	Gasket - Drive Shaft	1
18	2.1.3.25.0003	Drive Shaft - FB	1
19	2.1.1.10.0020	Beater - FB - Standard - V2	1

4. Draw Switch and Front Control Panel Assembly



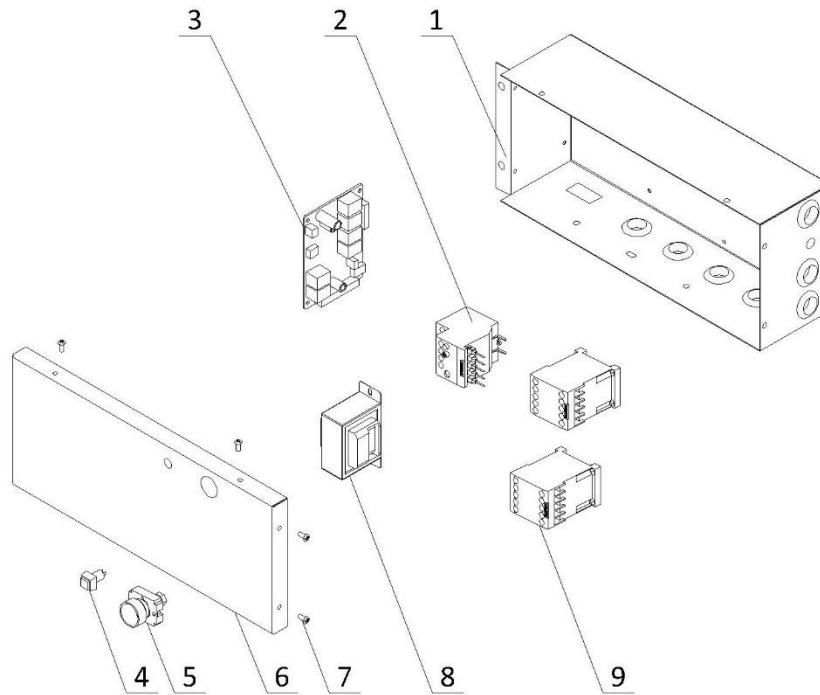
Item	Part Number	Description	Qty.
1	2.3.4.36.045	Panel - Overhead Front - 6690-C	1
	3.1.06.01.013	Sticker - 6690-C	1
2	3.6.22.028	Screw - M4×12	7
3	3.6.22.027	Screw - M4×30	2
4	3.1.03.04.035	Switch - FT19QB-H22Z/S-K13P0	1
5	3.1.03.03.009	Power Switch - RK1-01 2X3	1
6	2.3.4.39.071	Panel - Overhead Bottom - 6690-C	1
7	2.1.4.04.025	Torque Arm - 185mm	1
8	2.1.4.04.024	Bracket - Spring - 6690-C	1
9	2.1.3.50.0088	Shaft - Draw Switch - FB - 120.3mm	1
10	3.6.03.012	Spring - Shaft - Draw Switch	1
11	3.1.03.02.002	Micro Switch - Torque Lever	1
12	3.1.03.01.002	Micro Switch - KW-7-2	1
13	3.4.07.06.008	Bracket - Micro Switch & Shaft & Spring	1
14	3.6.02.005	Spring - Viscosity 0.7mm	1
15	920.1.03.0004	Control Levers - Viscosity Adjustment - V2	1
16	2.3.4.37.047	Panel - Overhead Side - FB	2
17	3.6.22.010	Screw - M5x10	4
18	3.1.02.14.013	LED Light - FB - Red	1
19	3.1.02.14.011	LED Light - FB - Blue	1

5. Hopper Agitator



Item	Part Number	Description	Qty.
1	3.4.08.01.034	O-Ring - 31×2	2
2	2.1.1.23.0002	Blade - Hopper Agitator - Standard - V2	1
3	2.1.1.12.0003	Agitator Assembly - 124mm	1
4	2.1.4.02.017	Pulley - Hopper Agitator - Single - 47.6mm	1
5	2.1.4.08.045	Belt - Hopper Agitator - 415mm	1
6	3.3.04.04.006	Pulley - Hopper Agitator - Drive - 30mm	1
7	2.3.4.45.003	Bracket - Agitator Motor - 84mm	1
8	3.3.01.01.006	Motor - Agitator - 220V - YN80-25-6G	1

6. Electrical Box



Item	Part Number	Description	Qty.
1	2.2.4.17.0047	Electrical Box - 6690-C	1
2	3.1.01.02.010	Thermal Overload Relay - 3RU6116-1EB0	1
3	2.1.1.30.0012	Control Board - FB	1
4	3.1.03.04.003	Switch - FB - Low Mix Alarm - Green Square	1
5	3.1.03.04.002	Reset Button - Thermal Overload	1
6	2.2.4.20.0043	Cover - Electrical Box - 6690-C	1
7	3.6.06.072	Screw - M4×10	4
8	3.1.01.04.007	Transformer - 50W - 50313MW-32	1
9	3.1.01.01.010	Contactora - 220V - 3RT6017-1AN21	2