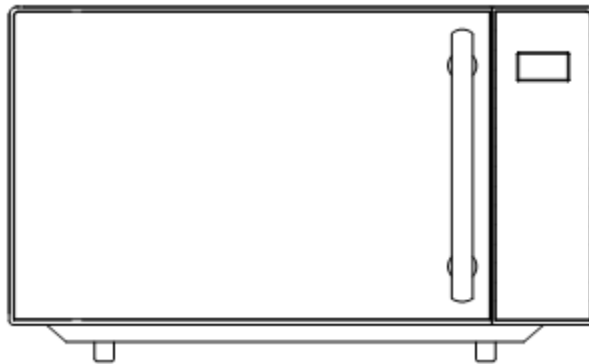




MICROWAVE OVEN



User Manual

Model: SM903BSA

BEFORE USE, PLEASE READ AND FOLLOW ALL SAFETY RULES AND OPERATING INSTRUCTIONS IN THIS MANUAL.

Write Serial No. (on back of unit) here:

Felix Storch, Inc.
Summit Appliance Division
An ISO 9001:2015 registered company
770 Garrison Avenue Bronx, New York 10474
www.summitappliance.com

TABLE OF CONTENTS

Safety Precautions	3-4
Technical Information	5
Location of Parts	5
Installation Instructions	6
Grounding Instructions	6
<i>Electrical Requirements</i>	6
<i>Power Cord</i>	6
Operating Instructions	7-11
<i>Control Panel</i>	7
<i>Setting the Clock</i>	8
<i>Setting the Timer</i>	8
<i>Microwave Cooking</i>	8
<i>Express Cooking</i>	8
<i>+30 Sec. Function</i>	8
<i>Mute Function</i>	9
<i>Auto Defrost</i>	9
<i>Cook by Weight</i>	9-10
<i>Multistage Cooking</i>	10
<i>Auto Cook</i>	10
<i>Child Lock</i>	11
<i>Button Closed Protection</i>	11
<i>Smoke Alarm Function</i>	11
<i>USB Power</i>	12
Cooking Utensils Guide	12
Cleaning and Care	13
Limited Warranty	16

SAFETY PRECAUTIONS

Your safety and the safety of others is very important.

This manual contains important information on the installation, use, and care of your appliance. Read the instructions for use carefully before using the washing machine to prevent injury and property damage. Please, do not use the washing machine without reading and understanding these instructions or use first.

- **WARNING!** --To reduce the risk of burns, electric shock, fire, injury to persons or exposure to excessive microwave energy:
- Read all instructions before using the appliance.
- Read and follow the specific "PRECAUTIONS TO AVOID POSSIBLE EXPOSURE TO EXCESSIVE MICROWAVE ENERGY" on page 2.
- This appliance must be grounded. Connect only to properly grounded outlet. See "GROUNDING INSTRUCTIONS" on page 6.
- Install or locate this appliance only in accordance with the provided installation instructions.
- Do not operate the oven when empty.
- Some products such as whole eggs and sealed containers -for example, closed glass jars- are able to explode and should not be heated in this oven.
- Use this appliance only for its intended use as described in this manual. Do not use corrosive chemicals or vapors in this appliance. This type of oven is specifically designed to heat, cook, or dry food. It is not designed for industrial or laboratory use.
- As with any appliance, close supervision is necessary when used by children.
- To reduce the risk of fire in the oven cavity:
- Do not overcook food. Carefully attend appliance when paper, plastic, or other combustible materials are placed inside the oven to facilitate cooking.
- Remove wire twist-ties from paper or plastic bags before placing bag in oven.
- If materials inside the oven should ignite, keep oven door closed, turn oven off, and disconnect the power cord or shut off power at the fuse or circuit breaker panel.
- Do not use the cavity for storage purposes. Do not leave paper products, cooking utensils or food in the cavity when not in use.
- Liquids, such as water, coffee, or tea are able to be overheated beyond the boiling point without appearing to be boiling due to surface tension of the liquid. Visible bubbling or boiling when the container is removed from the microwave oven is not always present. **THEIS COULD RESULT IN VERY HOT LIQUIDS SUDDENLY BOILING OVER WHEN A SPOON OR OTHER UTENSIL IS INSERTED INTO THE LIQUID.** To reduce the risk of injury to person:
- Do not overheat the liquid.
- Stir the liquid both before and halfway through heating it.
- Do not use straight-sided containers with narrow necks.
- After heating, allow the container to stand in the microwave oven for a short time before removing the container.
- Use extreme care when inserting a spoon or other utensil into the container.
- Do not heat oil or fat for deep-frying. It is difficult to control the temperature of oil in microwave oven.
- Do not cover or block any openings on the appliance.
- Do not store or use this appliance outdoors. Do not use this product near water, for example, near a kitchen sink, in a wet basement, near a swimming pool, or similar locations.
- Do not operate this appliance if it has a damaged cord or a plug, if it is not working properly or if it has been damaged or dropped.

- Do not immerse cord or plug in water. Keep cord away from heated surface. Do not let cord hang over edge of table or counter.
- This appliance should be serviced only by qualified service personnel, contact nearest authorized service facility for examination, repair, or adjustment.
- When cleaning surfaces of door and oven that comes together on closing the door, use only mild, nonabrasive soaps, or detergents applied with a sponge or soft cloth.
- This equipment has been tested and found to comply with Part 18 of the FCC Rules. Operation is subject to the following two conditions: (1) This device may not cause harmful interference, and (2) this device must accept any interference received, including interference that may cause undesired operation.

CAUTION: Changes or modifications not expressly approved by the party responsible for compliance could void the user's authority to operate the product.

- This equipment generates, uses and can radiate radio frequency energy and, if not installed and used in accordance with the instructions, may cause harmful interference to radio communications. However, there is no guarantee that interference will not occur in a particular installation. If this equipment does cause harmful interference to radio or television reception, which can be determined by turning the equipment off and on, the user is encouraged to try to correct the interference by one or more of the following measures:
 - Reorient or relocate the receiving antenna.
 - Increase the separation between the equipment and receiver.
 - Connect the equipment into an outlet on a circuit different from that to which the receiver is connected.
 - Consult the dealer or an experienced radio/TV technician for help.



PRECAUTIONS TO AVOID POSSIBLE EXPOSURE TO EXCESSIVE MICROWAVE ENERGY

1. Do not attempt to operate this oven with the door open since open-door operation can result in harmful exposure to microwave energy. It is important not to defeat or tamper with the safety interlocks.
2. Do not place any object between the oven front face and the door or allow soil or cleaner residue to accumulate on sealing surfaces.
3. Do not operate the oven if it is damaged. It is very important that the oven door close properly and that there is no damage to the
 - a) Door (including any bent),
 - b) Hinges and latches (broken or loosened),
 - c) Door seals and sealing surfaces.
 - d)

The oven should not be adjusted or repaired by anyone except qualified service personnel.

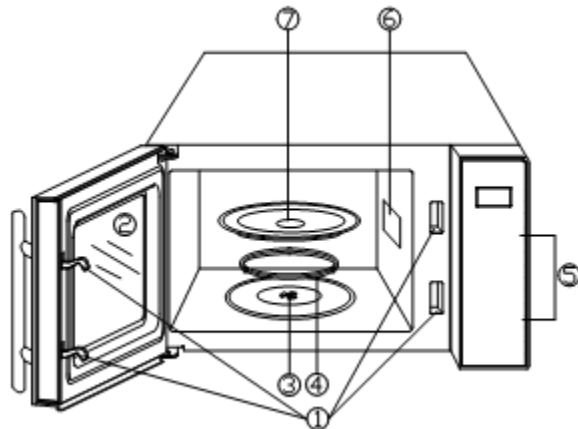
-SAVE THESE INSTRUCTIONS-

TECHNICAL INFORMATION

Power Consumption	120V/60Hz, 1100W
Output	700W
Operation Frequency	2450MHz
Outside Dimensions (H x W x D)	10 ⁵ / ₁₆ × 17 ¹³ / ₁₆ × 13 ⁵ / ₈ in.
Oven Capacity	0.7 cu. ft.
Net Weight	Approx. 23.2lbs

LOCATION OF PARTS

1. Door Safety Lock System
2. Microwave Window
3. Rotating Shaft
4. Roller Ring
5. Control Panel
6. Wave Guide (Please do not remove the mica plate covering the wave guide.)
7. Glass Turntable



INSTALLATION INSTRUCTIONS

- Make sure that all the packing materials are removed from the inside of the door.
- This microwave oven must be placed on a flat surface stable enough to hold the weight of the unit.
- For correct operation, the oven must have sufficient air flow. Allow 20cm of space above the oven, 10cm at back and 5cm at both sides. Do not cover or block any openings on the appliance. Do not remove feet on which oven stands.
- Do not operate the oven without glass tray, roller support, and shaft in their proper positions.
- Make sure that the power cord is undamaged and does not run under the oven or over any hot or sharp surface.
- The socket must be readily accessible so the microwave oven can be easily unplugged in an emergency.
- Locate the microwave in a room with an ambient temperature of -25 to 40°C (-13 to 104°F) and a relative humidity of less than 60%.

GROUNDING INSTRUCTIONS

This appliance must be grounded. In the event of an electrical short circuit, grounding reduces risk of electric shock by providing an escape wire for the electric current. This appliance is equipped with a cord having a grounding wire with a grounding plug. The plug must be plugged into an outlet that is properly installed and grounded.

CAUTION: Improper use of the grounding plug can result in a risk of electric shock.

Consult a qualified electrician or serviceman if the grounding instructions are not completely understood, or if doubt exists as to whether the appliance is properly grounded, and if it is necessary to use an extension cord, use only a 3-wire extension cord that has a 3-blade grounding plug and a 3-slot receptacle that will accept the plug on the appliance. The marked rating of the extension cord shall be equal to or greater than the electrical rating of the appliance.

Electrical Requirements

The electrical requirements are a 120 volt 60 Hz, AC only, 15 amp. It is recommended that a separate circuit serving only the oven be provided. The oven is equipped with a 3-prong grounding plug. It must be plugged into a wall outlet properly installed and grounded.

Power Cord

- A short power supply cord is provided to reduce the risks resulting from becoming entangled in or tripping over a longer cord.
- Longer cord sets or extension cords are available and may be used if care is exercised in their use.
- If long cord or extension cord is used :
 - The marked electrical rating of the cord set or extension cord should be at least as great as the electrical rating of the appliance.
 - The extension cord must be a grounding-type 3-wire cord, and the longer cord should be arranged so that it will not drape over the counter top or table top where it can be pulled on by children or tripped over unintentionally.

OPERATING INSTRUCTIONS

- In the process of programming, not touching any button for 30 seconds will return the unit to standby mode.
- After the cooking ends, the screen will display **END** and beep every two minutes until you press any button, or open the door.
- In the process of operation, press a valid button, and the unit beeps once. Pressing an invalid button makes the unit beep twice.
- After the microwave power turns on, the power socket is powered on. If the microwave oven is running for three minutes or less, the power socket will not be powered. If the microwave runs for more than 3 minutes and then pauses or ends, the power socket starts to power up immediately.

Control Panel



Display

Cooking time, power, indicators, and clock time are displayed.

Auto Cook Menus

Use to set any of the six auto cook programs.

Power

Press to set the microwave power level.

Timer

Press to set the timer function.

Clock

Press to set clock time.

Cook by Weight

Press to set a cooking program based on weight.

Auto Defrost

Press to set a defrost program based on time.

Eco Mode

Use to set power saving mode.

Number Buttons (0-9)

Use to set time, food weight, or quick cooking codes. Use number buttons 1-6 to set express cooking.

On/Off

Use to set the mute function.

Stop/Reset

Press once to temporarily stop cooking, or twice to cancel cooking. It is also used to set the child lock.

Start/+ 30 Sec

Press to set cooking time and cook immediately at full power.

Setting the Clock

1. Press CLOCK once.
2. Use the number buttons to enter the correct time.
3. Press CLOCK to confirm.

NOTES:

- This is a 12- hour clock. When the oven is first plugged in or when the power resumes after a power interruption, the display will show "ENTER", "CLOCK" and "TIME". If you don't have to set the clock time, press STOP/RESET to enter next operation.
- During cooking, you can check the current clock time by pressing CLOCK.

Setting the Timer

1. In standby mode or during cooking, press TIMER once.
2. Use the number buttons to enter the desired time. The longest time is 99 minutes and 99 seconds.
3. Press START/+30 SEC to confirm.

NOTE: When the countdown ends, the buzzer will beep to remind you. Time countdown can be seen for 5 seconds by pressing TIMER, and then you can cancel the program by pressing STOP/RESET when the display shows the time.

Microwave Cooking

1. In standby mode, press POWER repeatedly to select power level.
2. Use number buttons to enter cooking time. The longest time is 99 minutes and 99 seconds.
3. Press START/+30 SEC. to confirm.

Press POWER repeatedly to select the power level:

Press POWER button	Power (Display)	Press POWER button	Power (Display)
Once	100% (100)	7 times	40% (40)
Twice	90% (90)	8 times	30% (30)
3 times	80% (80)	9 times	20% (20)
4 times	70% (70)	10 times	10% (10)
5 times	60% (60)	11 times	0% (00)
6 times	50% (50)		

NOTE: During cooking, you can check the cooking power level by pressing POWER.

Express Cooking

In standby mode, when you press a number button (1, 2, 3, 4, 5 or 6) once, the unit starts automatically in a corresponding time to the number pressed (respectively 1 minute, 2 minutes, 3 minutes, 4 minutes, 5 minutes and 6 minutes). The unit will start to cook at full power.

+30 Sec. Function

Use this feature to automatically cook food at 100% power. In standby mode, press START/+30 SEC in quick succession to set cooking time (each time the button is pressed, the cook time increases by 30 seconds, up to 99 minutes and 99 seconds). The microwave will start working automatically. During cooking (except when using auto-cook menus, cook by weight, and auto defrost) pressing START/+30 will add 30 second of cooking time.

Air Blowing Function

In standby mode, press the number 8 button. The microwave will run for two minutes at 0% power, and the display will countdown the running time.

NOTE: Use this function before heating anything, if the microwave has not been used for an extended period of time, after periods of heavy use, or if there is smoke inside the oven. This will help reduce the likelihood of a false smoke alarm

Mute Function

- **To set mute function:** In the standby mode, press and hold ON/OFF (0) for 3 seconds, a beep will sound, mute function has been opened.
- **To relieve mute function:** In mute mode, press and hold ON/OFF (0) for 3 seconds, a beep will sound, button mute function is closed.

Power Saving

- **To set:** In standby mode, press ECO MODE once, a beep sounds and the display will go out. The system will enter power saving mode.
- **To cancel:** In the power saving mode, the power saving function can be cancelled by opening or closing the door once or pressing any button once.

Auto Defrost

1. Press AUTO DEFROST once.
2. Use number buttons to enter defrosting time. The longest time is 99 minutes and 99 seconds.
3. Press START/+30 SEC confirm.

NOTE: During defrosting, the oven will pause and sound to remind you to turn food over, after that, close the door and press START/+30 SEC to resume.

Cook by Weight

1. Press COOK BY WEIGHT once.
2. Enter a one digit code by pressing the correct number button (1~3).
3. Use the number buttons to enter the food weight.
4. Press START/+30 SEC to confirm.

Cook by weight code description:

Code	Type	Weight Range
1	Beef	4 oz ~ 6 LB.
2	Mutton	4 oz ~ 6 LB.
3	Pork	4 oz ~ 4 LB. 8 oz

NOTES:

- Meat must be defrosted and at refrigerated temperature.
- Weight must be in pounds and ounces. If label gives weight in pounds only, change the fraction of a pound to ounces using the chart below.

Converting fractions of a pound to ounces:

Fractions of a pound	Ounces
Less than .03	0
.03 to .09	1
.10 to .15	2
.16 to .21	3
.22 to .27	4
.28 to .34	5
.35 to .40	6
.41 to .46	7
.47 to .53	8

Fractions of a pound	Ounces
.54 to .59	9
.60 to .65	10
.66 to .71	11
.72 to .78	12
.79 to .84	13
.85 to .90	14
.91 to .97	15
above .97	go to next even

- During cooking, the system will pause and sound automatically to remind you to turn the food over. Press START/+30 SEC to resume cooking.
- Let meat stand a few minutes before carving.

Multistage Cooking

Your oven can be programmed for up to 3 automatic cooking sequences. It can be composed of auto defrost with one or two microwave cooking programs, or composed of two microwave cooking programs. Auto defrost can only be set in the first stage.

A. Auto defrost with one or two-stage microwave cooking:

1. Open the door and place the food into the oven, close it.
2. Press AUTO DEFROST once.
3. Enter desired defrosting time by pressing number buttons.
4. Input first microwave cooking program. Do not press START/+30 SEC.
5. Input second microwave cooking program.
6. Press START/+30 SEC to confirm.

NOTE: Step 5 is not necessary if you just need one microwave cooking program.

B. Two-stage microwave cooking:

Some recipes require different stages of cooking at different temperatures.

1. Input first stage microwave cooking program. Do not press START/+30 SEC.
2. Input second stage microwave cooking program.
3. Press START/+30 SEC to confirm.

NOTE: Express cooking, cook by weight, and auto cook menus cannot be set in a multi-stage cooking program.

Auto Cook

For food or the following cooking mode, it is not necessary to program the cooking time and power. It is sufficient to indicate the type of food that you want to cook as well as the weight or servings of this food.

1. In standby mode, press the corresponding menu button once.
2. Use number buttons to set food weight or servings (For popcorn, omit this step).
3. Press START/+30 SEC to confirm.

Auto cook menus:

Food:	Note:
Potato (8 oz, 16 oz)	The result of auto cook depends on factors such as the shape and size of food, your personal preference as to the doneness of certain foods and even how well you happen to place food in the oven. If you find the result at any rate not quite satisfactory, please adjust the cooking time a little bit accordingly.
Popcorn (3.2 oz)	
Pizza (6 oz, 11 oz, 16 oz)	
Beverage (200 ml/cup, 1-3 cups)	
Frozen Dinner (9 oz, 18 oz)	
Reheat (7 oz-28 oz)	

Child Lock

The child safety lock prevents unsupervised operation by children.

- **To set:** In standby mode, press and hold STOP/RESET for 3 seconds. The unit will beep, and the oven will auto enter child lock mode. The lock indicator light will turn on. In the locked state, all buttons are disabled.
- **To cancel:** Press and hold STOP/RESET for 3 seconds. The unit will beep, and the indicator light will turn off.

Button Closed Protection

The microwave performs an automatic self-inspection of the keypad to ensure proper functionality. If a button is found to be working abnormally (being activated without being manually pressed) the display will show "FAIL" and the alarm will sound. Press STOP/CANCEL to clear the display and stop the alarm. Contact a qualified technician if the problem persists.

Smoke Alarm Function

The smoke alarm function is automatically activated the first time the microwave is powered on. In standby mode, pressing CLOCK and TIMER together to set on/off. The display shows "1" or "0" (0 means the smoke alarm function is off, and 1 means the smoke alarm function is on) for three seconds to confirm your setting.

While the unit is operating, if the smoke concentration inside the microwave oven exceeds the limit value of the alarm, the alarm function will activate, showing "E-7" on the display, and the prompting a constant sound. In the alarm state, press STOP/RESET to stop the alarm and return to standby mode. Use the air blowing function after each time the smoke alarm is triggered. You can continue to use the microwave after the smoke disperses.

NOTES:

- Before the microwave is powered off, the chip will store the on/off status of the smoke alarm function. When the microwave oven is powered on again, the smoke alarm function will maintain the on/off status set before the microwave was powered off.
- After powering on, if the smoke alarm sensor is working improperly, the microwave will sound and the display will show "E-0" within five seconds. Press STOP/CANCEL to stop the alarm and return to standby mode. This will stop the detection of the sensor failure, smoke alarm function, and will clear the smoke alarm setting of on/off. If there is no alarm for five seconds after powering the microwave on again, the smoke alarm function will return to the default setting.
- DO NOT use the microwave in places where a large amount of oil smoke may be produced, and keep the area around the microwave clean to avoid a false alarm.

USB Power

Your microwave is equipped with USB charging capability, only. It does not enable you to activate, control, or synchronize the microwave cooking functions with any devices, which are plugged in.

COOKING UTENSILS GUIDE

This section lists which utensils can be used in this microwave, which have limited use for short periods, and which should not be used in this microwave. Check your food in several places. Conventional thermometers may be used on microwaved food, once the food has been removed from the oven.

Recommended

- **Microwave browning dish:** Use to brown the exterior of small items such as steaks, chops, or pancakes. Follow the directions provided with your browning dish.
- **Microwaveable plastic wrap:** Use to retain steam. Leave a small opening for some steam to escape and avoid placing it directly on the food.
- **Paper towels and napkins:** Use for short-term heating and covering; these absorb excess moisture and prevent spattering. Do not use recycled paper towels, which may contain metal and could ignite.
- **Glass and glass-ceramic bowls and dishes:** Use for heating or cooking.
- **Paper plates and cups:** Use for short-term heating at low temperatures. Do not use recycled paper, which may contain metal and could ignite.
- **Wax paper:** Use as a cover to prevent spattering.
- **Thermometers:** Use only those labeled "Microwave Safe" and follow all directions. Check the food in several places. Conventional thermometers may be used on microwave food once the food has been removed from the oven.

Limited Use

- **Aluminum foil:** Use narrow strips of foil to prevent overcooking of exposed areas. Using too much foil can damage your oven, so be careful. You should keep distance of 1 inch (2.54cm) between aluminum foil and cavity.
- **Ceramic, porcelain, and stoneware:** Use these if they are labeled "Microwave Safe". If they are not labeled, test them to make sure they can be used safely.
- **Plastic:** Use only if labeled "Microwave Safe". Other plastics can melt.

Not Recommended

- **Glass jars and bottles:** Regular glass is too thin to be used in a microwave. It can shatter and cause damage and injury.
- **Paper bags:** These are a fire hazard, except for popcorn bags that are designed for microwave use.
- **Styrofoam plates and cups** — These can melt and leave an unhealthy residue on food.
- **Plastic storage and food containers:** Containers such as margarine tubs can melt in the microwave.
- **Metal utensils:** These can damage your oven. Remove all metal before cooking.

CLEANING AND CARE

1. Turn off the oven and unplug the power cord from the wall when cleaning.
2. Keep the inside of the oven clean. When food splatters or spilled liquids adhere to oven walls, wipe with a damp cloth. Mild detergents may be used if the oven gets very dirty. Avoid using spray or other harsh cleaners. They may stain, streak or dull the door surface.
3. The outside of the oven should be cleaned with a damp cloth. To prevent damage to the operating parts inside the oven, water should not be allowed to seep into the ventilation openings.
4. Wipe the door and window on both sides, the door seals and adjacent parts frequently with a damp cloth to remove any spills or spatters. Do not use abrasive cleaner.
5. Do not allow the control panel to become wet. Clean with a soft, damp cloth. When cleaning the control panel, leave oven door open to prevent oven from accidentally turning on.
6. If steam accumulates inside or around the outside of the oven door, wipe with a soft cloth. This may occur when the microwave oven is operated under high humidity condition. And it is normal.
7. It is occasionally necessary to remove the glass tray for cleaning. Wash the tray in warm sudsy water or in a dishwasher.
8. The roller ring and oven floor should be cleaned regularly to avoid excessive noise. Simply wipe the bottom surface of the oven with mild detergent. The roller ring may be washed in mild, soapy water or in a dishwasher. When removing the roller ring, be sure to replace it in the proper position.
9. Remove odors from your oven by combining a cup of water with the juice and skin of one lemon in a microwaveable bowl. Microwave for 5 minutes. Wipe thoroughly and dry with a soft cloth.
10. If the light bulb burns out, please contact customer service to have it replaced.
11. The oven should be cleaned regularly and any food deposits should be removed. Failure to maintain the oven in a clean condition could lead to deterioration of surface that could adversely affect the life of the unit and could possibly result in a hazardous situation.
12. Please do not dispose of this appliance into the domestic rubbish bin; it should be disposed to the particular disposal center provided by the municipalities.

NOTES

NOTES

LIMITED WARRANTY

90-DAY LIMITED WARRANTY

Within the 48 contiguous United States, for 90 days from the date of purchase, when this appliance is operated and maintained according to instructions attached to or furnished with the product, warrantor will pay for factory-specified parts and repair labor to correct defects in materials or workmanship. Service must be provided by a designated service company. Outside the 48 states, all parts are warranted for 90 days from manufacturing defects. Plastic parts, shelves and cabinets are warranted to be manufactured to commercially acceptable standards, and are not covered from damage during handling or breakage.

ITEMS WARRANTOR WILL NOT PAY FOR:

1. Service calls to correct the installation of your appliance, to instruct you how to use your appliance, to replace or repair fuses or to correct wiring or plumbing.
2. Service calls to repair or replace appliance light bulbs or broken shelves. Consumable parts (such as filters) are excluded from warranty coverage.
3. Damage resulting from accident, alteration, misuse, abuse, fire, flood, acts of God, improper installation, installation not in accordance with electrical or plumbing codes, or use of products not approved by warrantor.
4. Replacement parts or repair labor costs for units operated outside the United States.
5. Repairs to parts or systems resulting from unauthorized modifications made to the appliance.
6. The removal and reinstallation of your appliance if it is installed in an inaccessible location or is not installed in accordance with published installation instructions.

DISCLAIMER OF IMPLIED WARRANTIES; LIMITATION OF REMEDIES

CUSTOMER'S SOLE AND EXCLUSIVE REMEDY UNDER THIS LIMITED WARRANTY SHALL BE PRODUCT REPAIR AS PROVIDED HEREIN. IMPLIED WARRANTIES, INCLUDING WARRANTIES OF MERCHANTABILITY OR FITNESS FOR A PARTICULAR PURPOSE, ARE LIMITED TO 90 DAYS. WARRANTOR SHALL NOT BE LIABLE FOR INCIDENTAL OR CONSEQUENTIAL DAMAGES. SOME STATES DO NOT ALLOW THE EXCLUSION OR LIMITATION OF INCIDENTAL OR CONSEQUENTIAL DAMAGES, OR LIMITATIONS ON THE DURATION OF IMPLIED WARRANTIES OF MERCHANTABILITY OR FITNESS, SO THESE EXCLUSIONS OR LIMITATIONS MAY NOT APPLY TO YOU. THIS WARRANTY GIVES YOU SPECIFIC LEGAL RIGHTS AND YOU MAY ALSO HAVE OTHER RIGHTS, WHICH VARY FROM STATE TO STATE.



WARNING: This product can expose you to chemicals including Nickel (Metallic) which is known to the State of California to cause cancer.

For more information go to www.P65Warnings.ca.gov

Note: Nickel is a component in all stainless steel and some other metallic compositions.

Summit Appliance
Division of Felix Storch, Inc.
An ISO 9001:2015 registered company
770 Garrison Avenue
Bronx, NY 10474
www.summitappliance.com

SUMMIT
A P P L I A N C E

For parts and accessory ordering,
troubleshooting and helpful hints, visit:
www.summitappliance.com/support