



HOSHIZAKI

Parts List

Condensing Unit
Serenity Series

Models
SRK-12J/3



hoshizakiamerica.com

Number: 71399
Issued: 4-10-2018
Revised: 4-11-2022

CONTENTS

Auxiliary Codes.....	3
Note About Ordering Parts	3
A. Condensing Unit & Refrigeration Circuit.....	4
B. Control Box Assembly.....	6
C. Accessories & Labels	7

Auxiliary Codes

SRK-12J

G-0 December 2017
H-0 March 2018
H-1 October 2018
J-0 August 2019
K-0 February 2020
L-0 February 2021
M-0 January 2022

SRK-12J3

G-0 December 2017
H-0 March 2018
H-1 October 2018
J-0 October 2019
K-0 January 2020
L-0 January 2021
M-0 March 2022

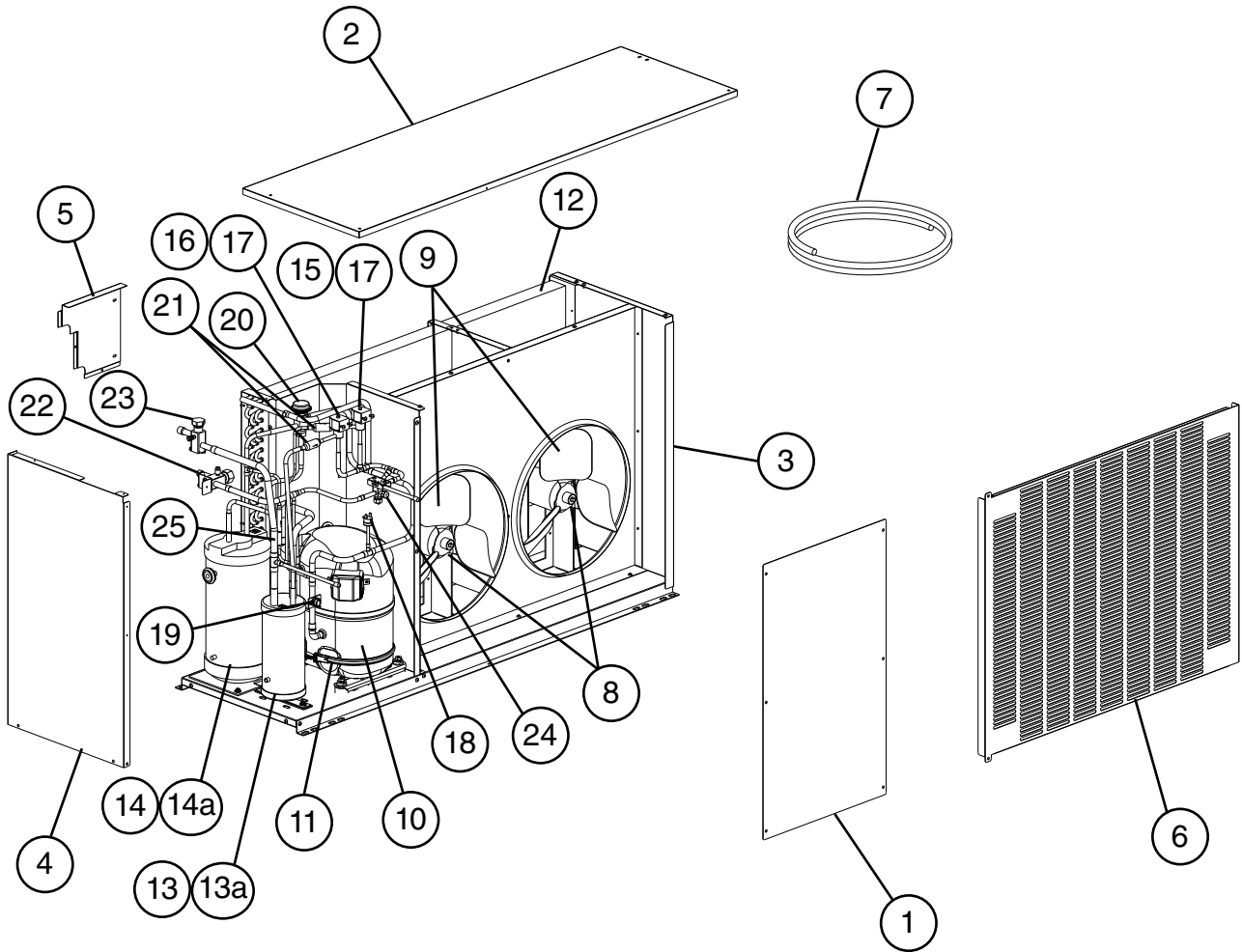
Auxiliary Code Breakdown

The auxiliary code is the first two characters in the serial number. The first character indicates the year. Years progress or regress in alphabetical order. The series runs from "A" through "V" and the letters "I" and "O" are skipped. The second character indicates significant part changes within a year. Base is "0" and this number advances for each change. In cases where there is a letter in parentheses, this designates the month. This is the last character in the serial number. The series runs from "(A)" through "(M)" and the letter "(I)" is skipped. This designation is only included when identifying a parts change within an auxiliary code.

Note About Ordering Parts

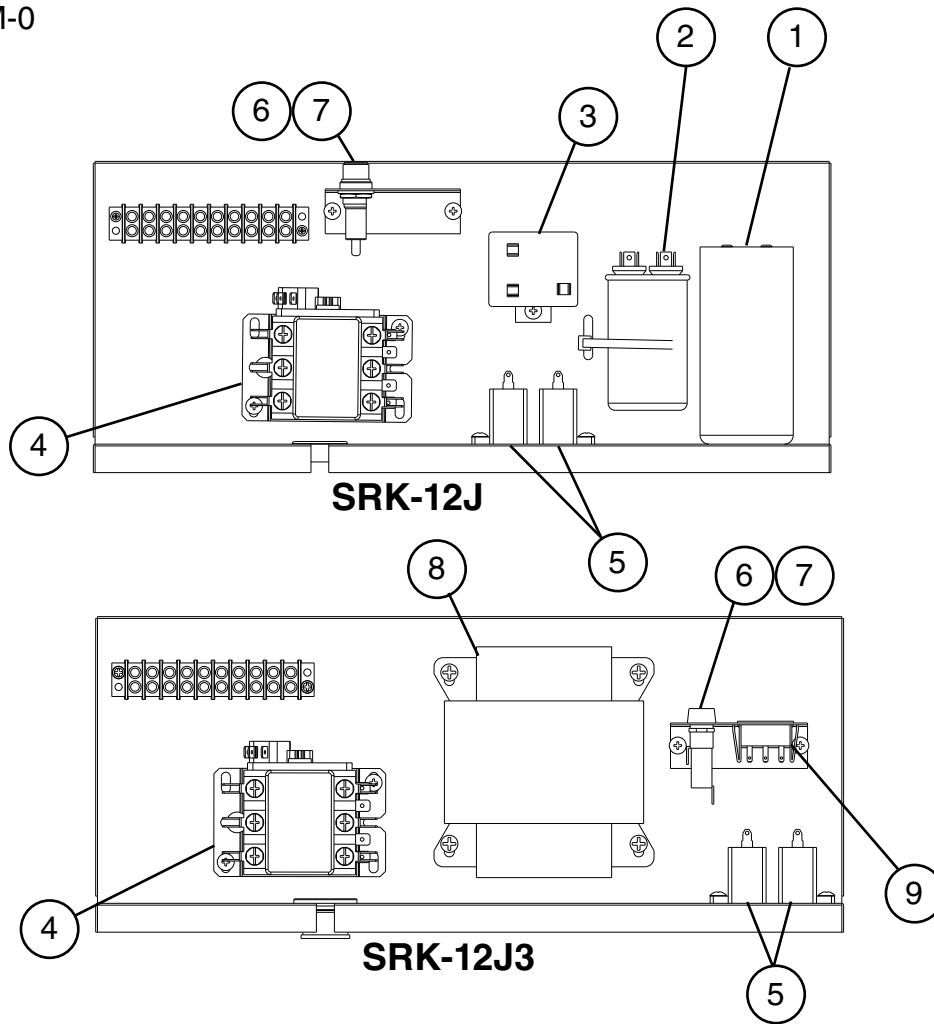
Most assemblies cannot be ordered as complete units; parts in the assemblies generally must be ordered separately.

A. Condensing Unit & Refrigeration Circuit
SRK-12J, SRK-12J3
G-0 to M-0



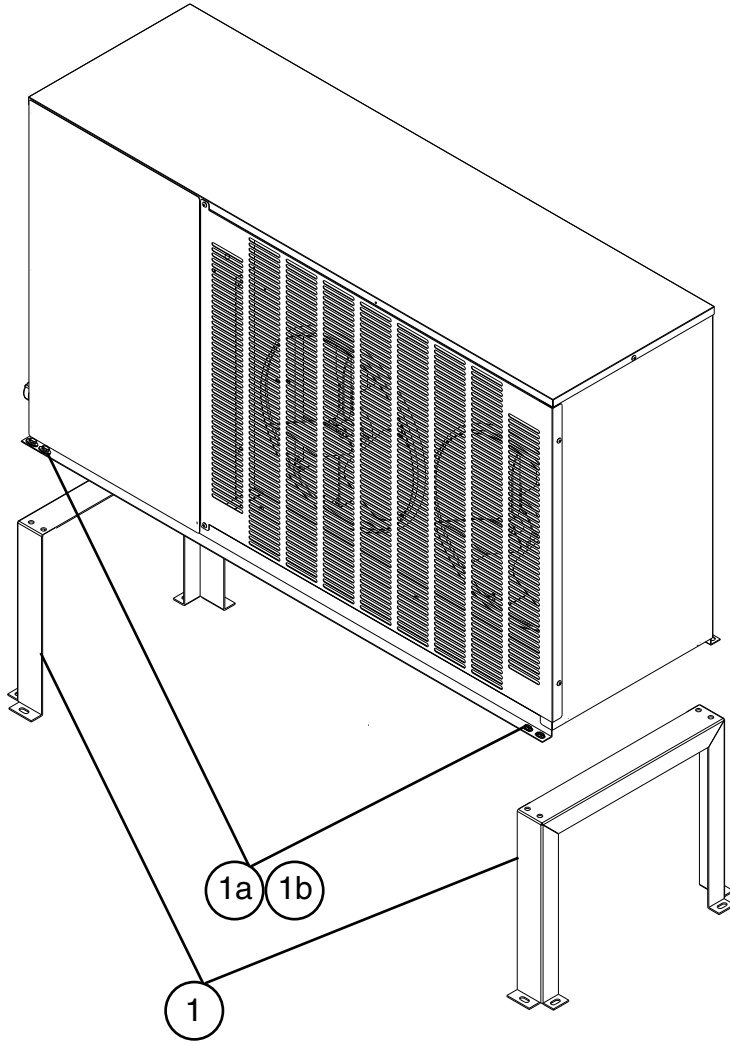
Title: A. Condensing Unit & Refrigeration Circuit Model: SRK-12J, SRK-12J3											
Index No.	Description	Material or Model Number	Part Number	G-0 to M-0	Required Number						
Condensing Unit											
1	Front Panel		3A3293-01	1							
2	Top Panel		2A3242-01	1							
3	Right Side Panel		3A3291-01	1							
4	Left Side Panel		2A8706-01	1							
5	Access Panel		2A8705-01	1							
6	Louver Panel		2A3241-01	1							
7	Wire Kit		4A5657-02	1							
Refrigeration Circuit											
8	Fan Motor		4A3201-01	2							
9	Fan Blade		4A3614-01	2							
10	Compressor	SRK-12J	4A4134-03	1							
		SRK-12J3	4A4135-03	1							
11	Crankcase Heater		4A5397-02	1							
12	Condenser		1A0980-01	1							
13	Accumulator		3A6803-01	1							
13a	Hex Bolt		7B0230512	2							
14	Receiver		4A6214-01	1							
14a	Hex Bolt		7B0230512	2							
15	Hot Gas Valve Body		4A3978-01	1							
16	Liquid Line Valve Body		4A3276-01	1							
17	Valve Coil		4A3277-01	2							
18	High-Pressure Switch		463180-01	1							
19	Dishcharge Line Thermostat		440664-01	1							
20	Headmaster (C.P.R.)		4A0229-05	1							
21	Strainer		441569-02	2							
22	Liquid Line Shutoff Valve 1		4A4822-01	1							
23	Suction Line Shutoff Valve		4A3490-01	1							
24	Liquid Line Shutoff Valve 2		4A3491-01	1							
25	Check Valve		4A1373-01	1							

B. Control Box Assembly
SRK-12J, SRK-12J3
 G-0 to M-0



Title: B. Control Box Assembly Model: SRK-12H, SRK-12H3					Required Number								
Index No.	Description	Material or Model Number	Part Number	G-0 to M-0									
					1	Start Capacitor	SRK-12J 145-174MFD, 220VAC	3A0076-11	1				
2	Run Capacitor	SRK-12J 30MFD, 370VAC	3A2005-03	1									
3	Start Relay	SRK-12J	4A1107-13	1									
4	Magnetic Contactor		4A0794-01	1									
5	Fan Motor Capacitor	10MFD, 250VAC	4A6435-01	2									
6	Fuse Holder		4A5443-01	1									
7	Fuse	AGC-10A, 250VAC	4A0893-07	1									
8	Main Transformer	SRK-12J3	4A5695-01	1									
9	Voltage Tap Switch	SRK-12J3	4A1477-01	1									

C. Accessories & Labels
SRK-12J, SRK-12J3
 G-0 to M-0



Title: C. Accessories & Labels Model: SRK-12J, SRK-12J3										
Index No.	Description	Material or Model Number	Part Number	G-0 to M-0	Required Number					
1	Leg		3A9092G01	2						
1a	Hex Head Bolt w/Washer	8x20	7B0230820	8						
1b	Hex Nut	M8	7N12-0800	8						