



HOSHIZAKI

Parts List

Condensing Unit
Serenity Series

Models
SRK-15J/3



hoshizakiamerica.com

Number: 71401
Issued: 4-10-2018

CONTENTS

Auxiliary Codes.....	3
A. Main Assembly and Refrigeration Circuit.....	4
B. Control Box Assembly.....	6
C. Accessories & Labels	7

Auxiliary Codes

SRK-15J

H-0 January 2018

SRK-15J3

H-0 January 2018

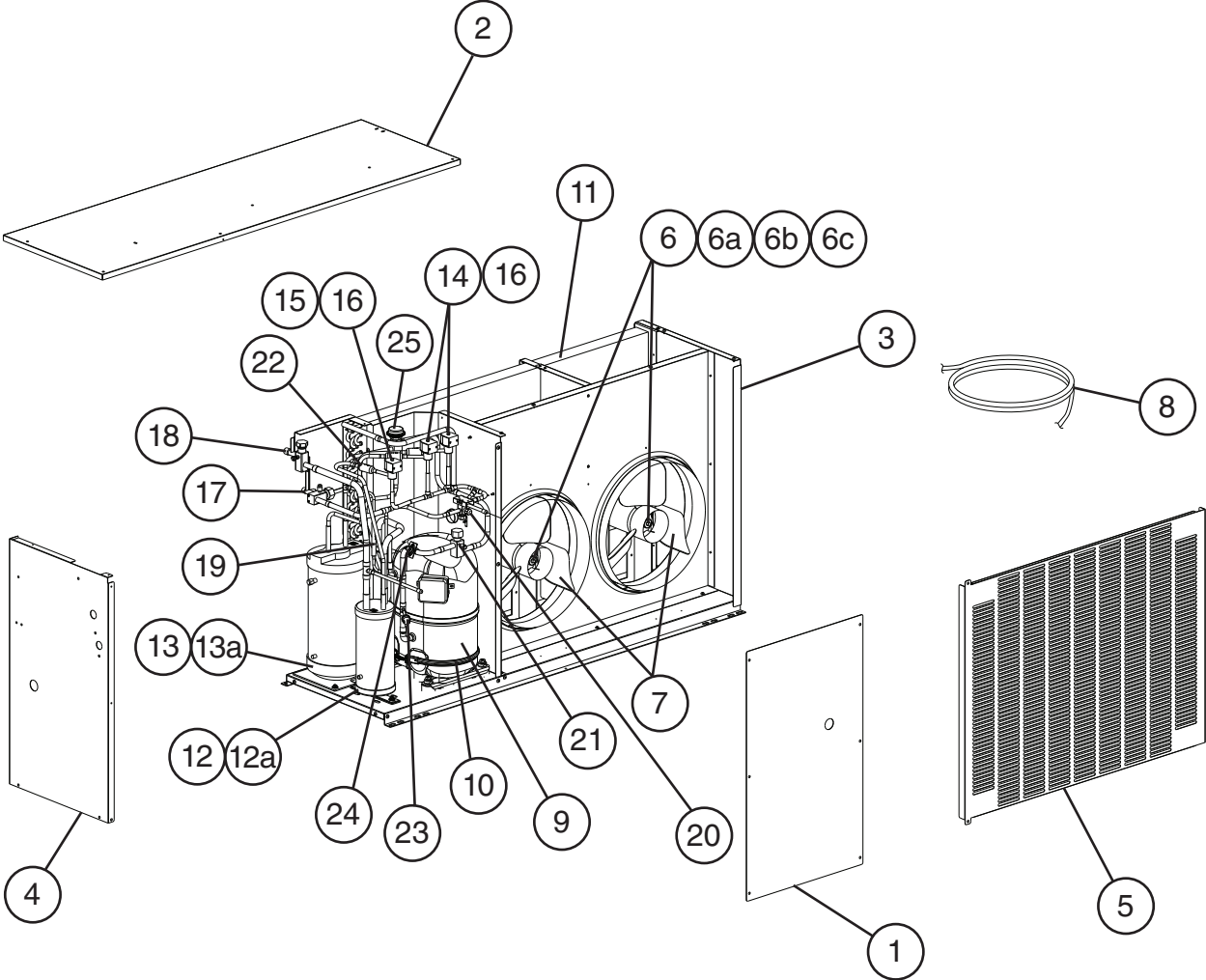
Auxiliary Code Breakdown

The auxiliary code is the first two characters in the serial number. The first character indicates the year. Years progress or regress in alphabetical order. The series runs from "A" through "V" and the letters "I" and "O" are skipped. The second character indicates significant part changes within a year. Base is "0" and this number advances for each change. In cases where there is a letter in parentheses, this designates the month. This is the last character in the serial number. The series runs from "(A)" through "(M)" and the letter "(I)" is skipped. This designation is only included when identifying a parts change within an auxiliary code.

Note About Ordering Parts

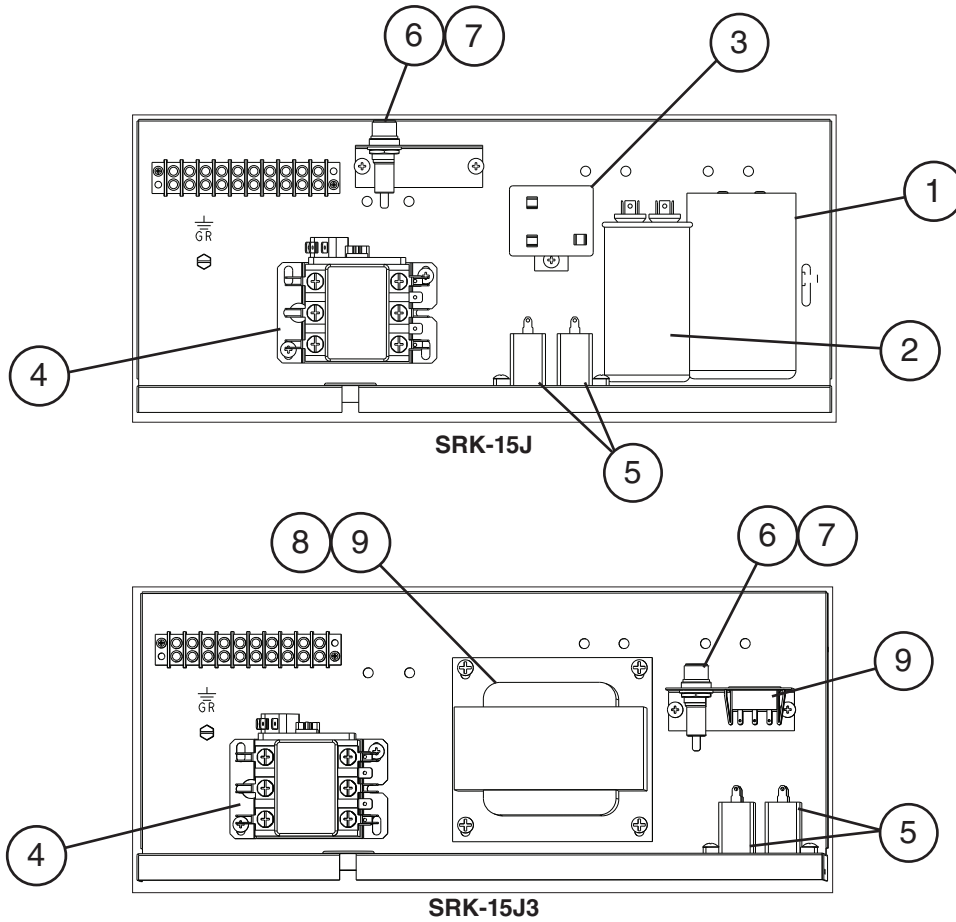
Most assemblies cannot be ordered as complete units; parts in the assemblies generally must be ordered separately.

A. Main Assembly and Refrigeration Circuit
SRK-15J, SRK-15J3
H-0



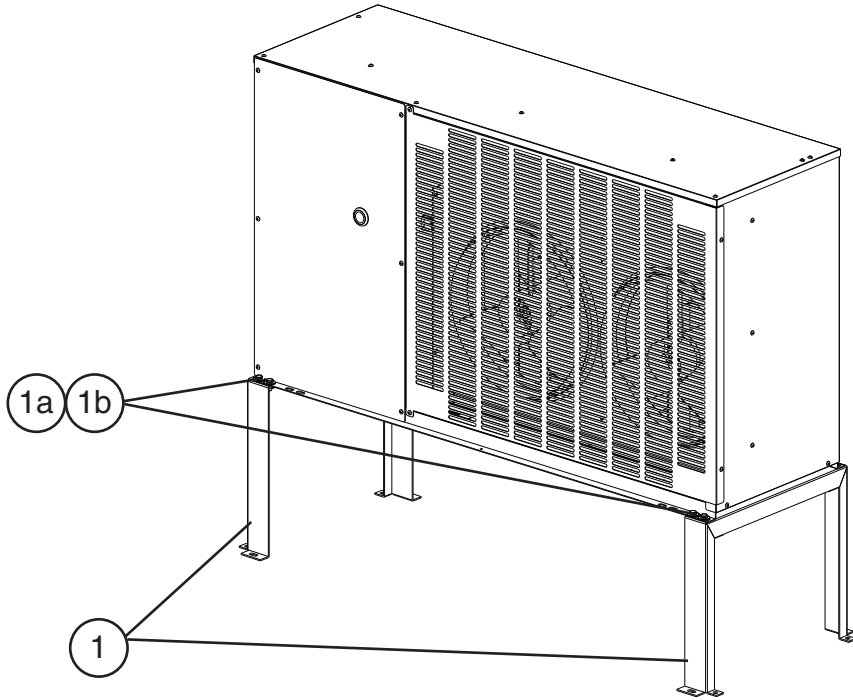
Title: A. Main Assembly and Refrigeration Circuit Model: SRK-15J, SRK-15J3												
Index No.	Description	Material or Model Number	Part Number	Required Number								
				H-0								
Main Assembly												
1	Front Panel		3A9330-01	1								
2	Top Panel		2A3242-01	1								
3	Right Side Panel		3A3291-01	1								
4	Left Side Panel		2A8706-01	1								
5	Louver Panel		2A3241-01	1								
6	Fan Motor		4A3201-01	2								
6a	Split Lock Washer		7L22I0832	8								
6b	Flat Washer		7W22I0832	8								
6c	Hex Nut		7N02I0832	8								
7	Fan Blade		4A3614-01	2								
8	Wire Harness		4A5657-02	1								
Refrigeration Circuit												
9	Compressor	SRK-15J	4A4581-01	1								
		SRK-15J3	4A4582-01	1								
10	Crankcase Heater		4A5397-02	1								
11	Condenser		1A0980-01	1								
12	Accumulator		3A6803-01	1								
12a	Hex Bolt		7B0230512	2								
13	Receiver		438209-01	1								
13a	Hex Bolt		7B0230512	2								
14	Hot Gas Valve Body		4A3978-01	2								
15	Liquid Line Valve Body		4A3276-01	1								
16	Valve Coil		4A3277-01	3								
17	Liquid Line Shutoff Valve 1		4A4822-01	1								
18	Suction Line Shutoff Valve		4A3490-01	1								
19	Check Valve		4A1373-01	1								
20	Liquid Line Shutoff Valve 2		4A3491-01	1								
21	Discharge Line Shutoff Valve		4A4822-01	1								
22	Strainer		441569-02	3								
23	High-Pressure Switch		463180-01	1								
24	Discharge Line Thermostat		440664-01	1								
25	Headmaster (C.P. R.)		4A0229-02	1								

B. Control Box Assembly
SRK-15J, SRK-15J3
H-0



Title: B. Control Box Assembly Model: SRK-15J, SRK-15J3					Required Number								
Index No.	Description	Material or Model Number	Part Number	H-0									
1	Start Capacitor	SRK-15J 189-227MFD, 330VAC	3A0076-12	1									
2	Run Capacitor	SRK-15J 35MFD, 440VAC	3A2005-12	1									
3	Start Relay	SRK-15J	4A1107-09	1									
4	Magnetic Contactor		4A0794-01	1									
5	Fan Motor Capacitor	10MFD, 250VAC	443192-01	2									
6	Fuse Holder		4A5443-01	1									
7	Fuse	AGC-10A, 250VAC	4A0893-07	1									
8	Main Transformer	SRK-15J3	4A5695-01	1									
9	Voltage Tap Switch		4A1477-01	1									

C. Accessories & Labels
SRK-15J, SRK-15J3
H-0



Title: C. Accessories & Labels		Model: SRK-15J, SRK-15J3		Required Number										
Index No.	Description	Material or Model Number	Part Number	H-0										
1	Leg		3A9092G01	2										
1a	Hex Head Bolt w/Washer	8x20	7B0130820	8										
1b	Hex Nut		7N11-0800	8										