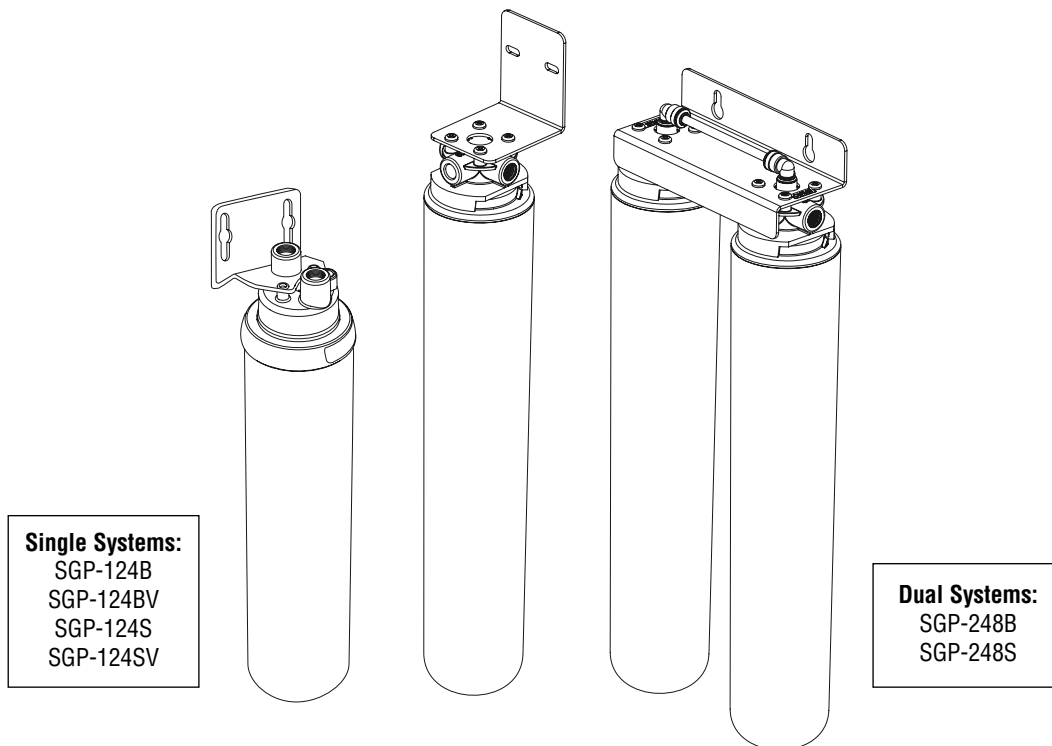


Installation and Operating Instructions



Water Filter Systems
Food Service

For ScaleGard® Pro Models



Single Systems:

SGP-124B
SGP-124BV
SGP-124S
SGP-124SV

Dual Systems:

SGP-248B
SGP-248S

ScaleGard® Pro Scale Reduction Systems

SGP-124B, SGP-124BV, SGP-124S & SGP-124SV consists of a mounting bracket, screws, head, and one cartridge.

SGP-248B & SGP-248S consists of a mounting bracket, manifold, and two cartridges.

Installation Precautions

- The filter must be installed with the inlet and outlet as labeled. Make sure not to reverse connections.
- Do not install on hot water line. Maximum temperature allowed is 100°F (38°C).
- Do not install on line pressure above 125 psi (862 kPa).
- Do not use wicking or sealer for fitting connections into head of filter. Use Teflon® tape for connections.
- Do not use torch or other high temperature sources near filter or plastic cartridge.
- Do not install near electric wires or water pipes which will be in the path of drill when selecting the position to mount the bracket.
- Do not install in direct sunlight.
- Protect from freezing. Drain filter when room temperature drops to below 40°F (4.4°C).
- Allow minimum of 2" (5 cm) clearance space under filter to facilitate cartridge change.
- Mount filter in such a position as to prevent it from being struck by other items.
- Do not use with water that is microbiologically unsafe or of unknown quality without adequate disinfection before or after the system.
- Installation must comply with local and state plumbing codes.

1. Installation

The ScaleGard Pro System should be located on the incoming cold water line and preferably away from heavy traffic areas. It should be mounted on a wall or support structure. **Important:** This product is designed for cold water use only (less than 100°F/38°C). Passing hot water through this product may seriously damage the head and/or cartridges.

2. Connections and Mounting

Note: The SGP-124BV & SGP-124SV comes with 3/8" NPT inlet and outlet ports. The SGP-124B, SGP-124S and the dual systems come with 1/4" NPT inlet and outlet ports.

The ScaleGard Pro System may be used with metallic or non-metallic piping systems. Any non-metallic fittings used in your installation must be of adequate rating for your line pressure. **Note:** The SGP-124BV & SGP-124SV contains an internal shut-off valve in the filter head, therefore, no external shut-off valve is required. All other SGP systems require a shut-off valve on the inlet side of the system.

Shut off incoming water. Mount system and connect installation fittings. Connect the incoming cold water line to the system's inlet connection. Connect the outlet to the equipment being serviced. **Note:** It is recommended that a flush valve be installed on the outlet line for use during cartridge change.

3. Cartridges

The ScaleGard Pro System is supplied with one or two cartridges. Use of replacement cartridges other than those specified will compromise water quality, cartridge life and product warranty.

4. Recommended Replacement Changeout Indicators

Cartridges should be changed on or before the predicted end of life. To calculate minimum changeout period, use the following:

Divide capacity (in grains) by water hardness (in gpg) **or:**
Divide capacity (ppm-liter) by water hardness (in ppm)

5. System Start-up

SGP-124BV & SGP-124SV with internal shut-off:

Push new cartridge into head with slot on cartridge in line with the word "OFF" on head. Top surface of the cartridge will become flush with the bottom of the head when fully engaged. Turn cartridge approximately 90° to the right until it hits a stop.

SGP Systems without internal shut-off:

Position new cartridge into head by lining up cartridge 'ears' with the opening on the head. Push cartridge into head until firmly seated. Turn cartridge to the right approximately 1/4 turn until it stops. Repeat for the second cartridge.

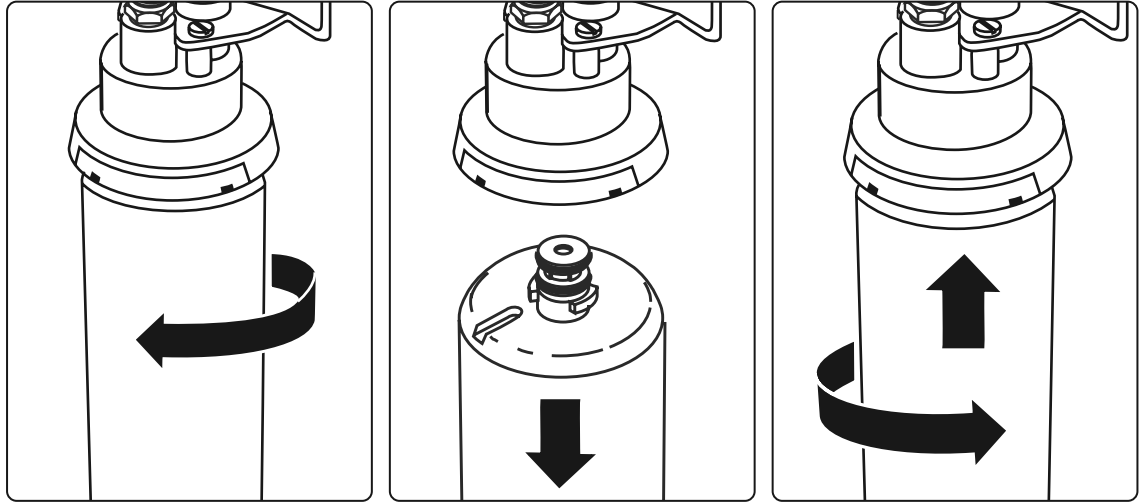
Note: If a flush valve has been installed, run tubing to a bucket or appropriate drain. Turn on incoming water supply and open flush valve. Flush for 2 minutes to thoroughly wet media and bleed any air from the cartridge. Turn off flush valve. Remove tubing from drain. The system is now ready for service.

6. Replacement Cartridge Instructions

It is recommended that the cartridges be changed on or before the predicted end of life.

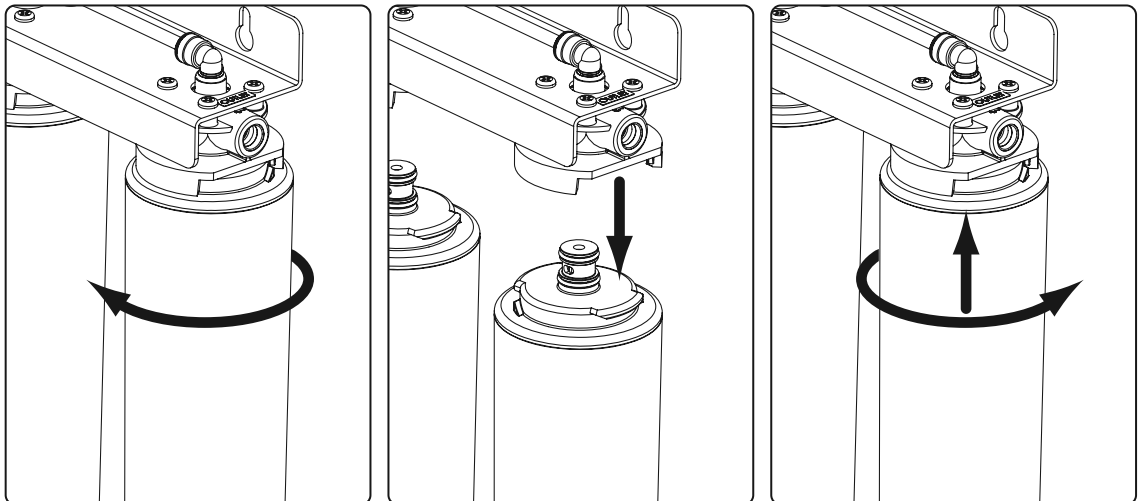
SGP-124BV & SGP-124SV with internal shut-off:

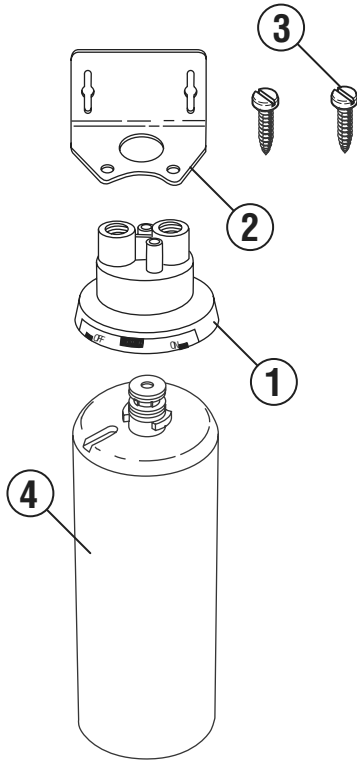
1. Turn cartridge slowly, approximately 90° to the left until it hits a stop and the slot of the cartridge lines up with the word "OFF" on the head. At this position, the inlet and outlet ports have been closed and the filter's internal pressure has been relieved.
2. Pull used cartridge straight down to remove the cartridge and discard. **Note:** There is a small amount of residual water drainage after pressure is relieved and during cartridge removal.
3. Push new cartridge into head with slot on cartridge in line with the word "OFF" on head. Top surface of cartridge will become flush with bottom of head when fully engaged. Turn cartridge approximately 90° to the right until it hits a stop. Flush new cartridge for a minimum of 2 minutes to remove any trapped air or carbon fines. The system is now ready for service.



SGP Systems without internal shut-off:

1. Shut off incoming water supply. Turn cartridge 1/4 turn to the left, lining up cartridge ears with openings on the head.
2. Pull down to remove the cartridge and discard. **Note:** There is a small amount of residual water drainage during cartridge removal.
3. Position new cartridge into head by lining up cartridge ears with openings on the head. Push cartridge into head until firmly seated. Turn cartridge to the right approximately 1/4 turn until it locks into place. See Step 5 "System Start-up" for flushing instructions.

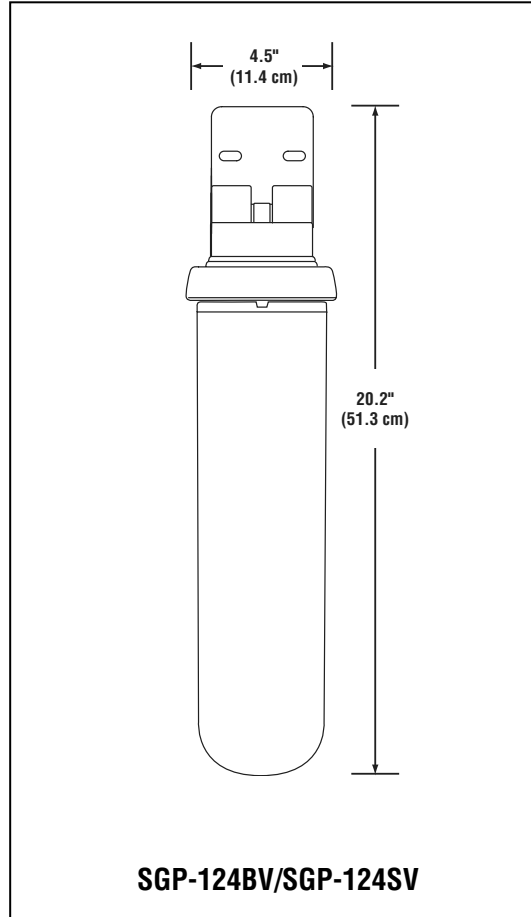


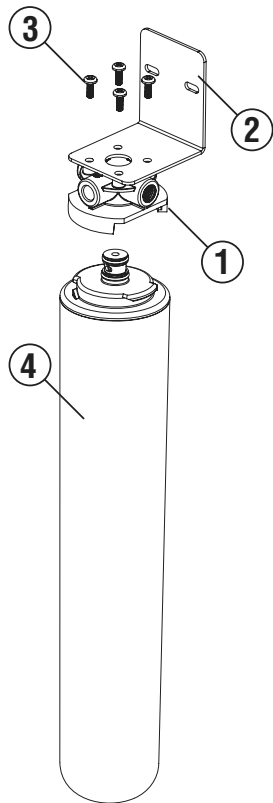


Parts List - SGP-124BV

Item No.	Description	Part No.	Qty
1	Head	68567-01	1
2	Bracket	68963-31	1
3	Screw	68414-07	2
4	P-124BV Cartridge	56097-06	1
	P-124SV Cartridge	56091-05	1

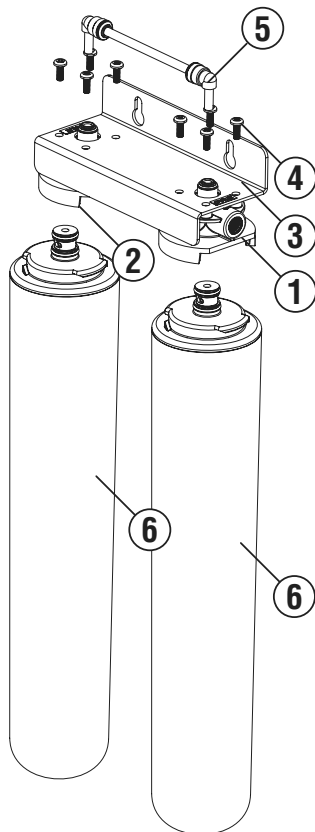
Dimensions - SGP-124BV/SGP-124SV





Parts List - SGP-124B & SGP-124S

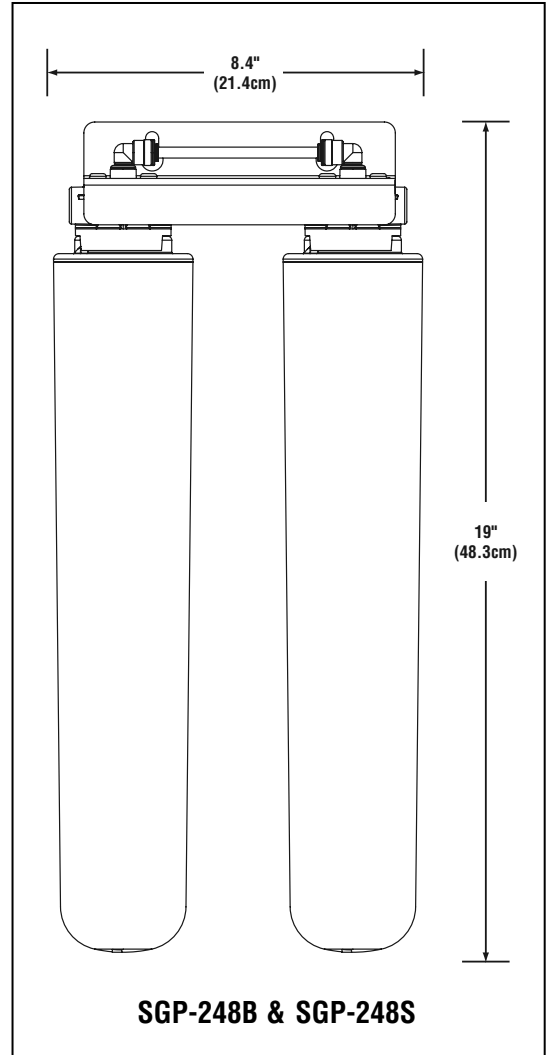
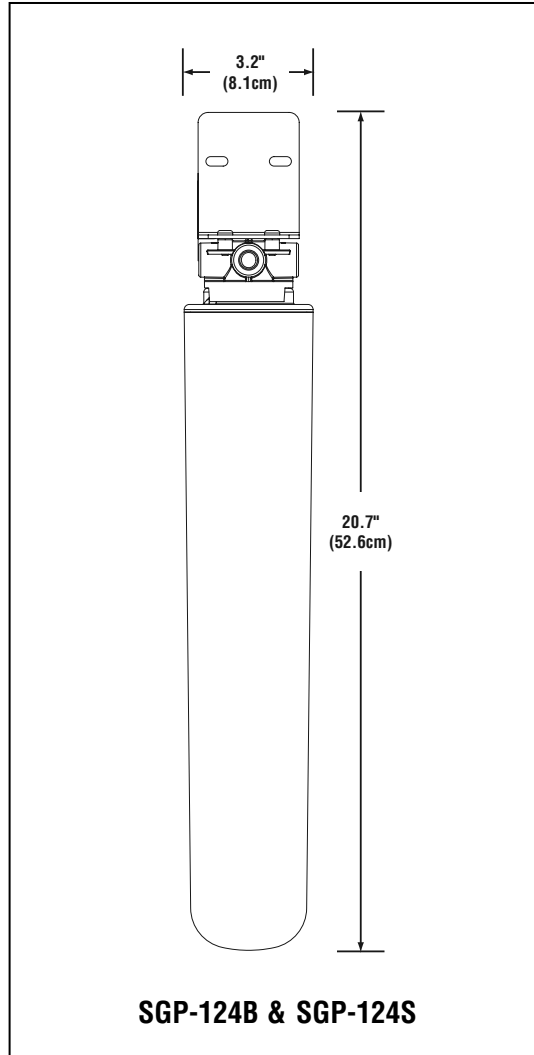
Item No.	Description	Part No.	Qty
1	Head	52-51313	1
2	Bracket	36-3095	1
3	Screw	30-391391	4
4	P-124B Cartridge	56091-06	1
	P-124S Cartridge	56091-05	1



Parts List - SGP-248B & SGP-248S

Item No.	Description	Part No.	Qty
1	Head	52-75013G13	1
2	Head	52-7513G13	1
3	Bracket	36-3096	1
4	Screw	30-391391	8
5	Elbow	74-3230404	2
6	P-124B Cartridge	56091-06	2
	P-124S Cartridge	56091-05	2
	Nipple - 1/4" x 2" LG (not shown)	72-530432	2

Dimensions





Water Group

CUNO Incorporated

400 Research Parkway
Meriden, CT 06450, USA
Toll Free: 1-888-218-CUNO
Worldwide: 203-237-5541
Fax: 203-238-8701

www.cunofoodservice.com • www.cuno.com

© 2003 CUNO Incorporated