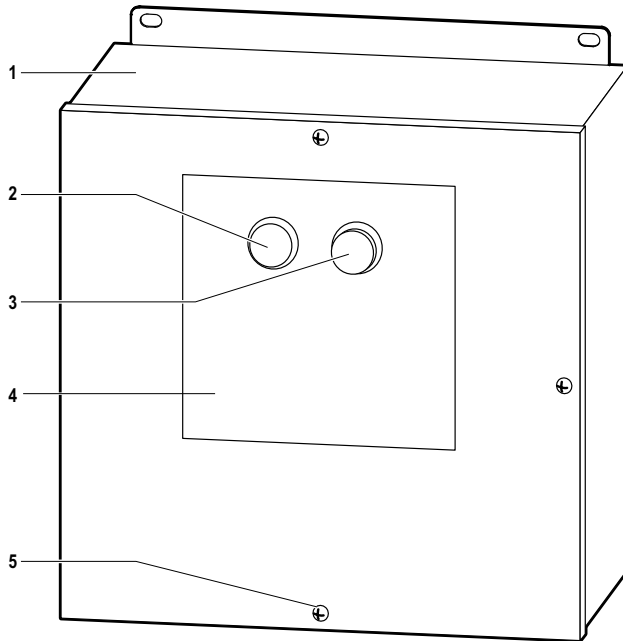


Salvajor Model ARSS-2*

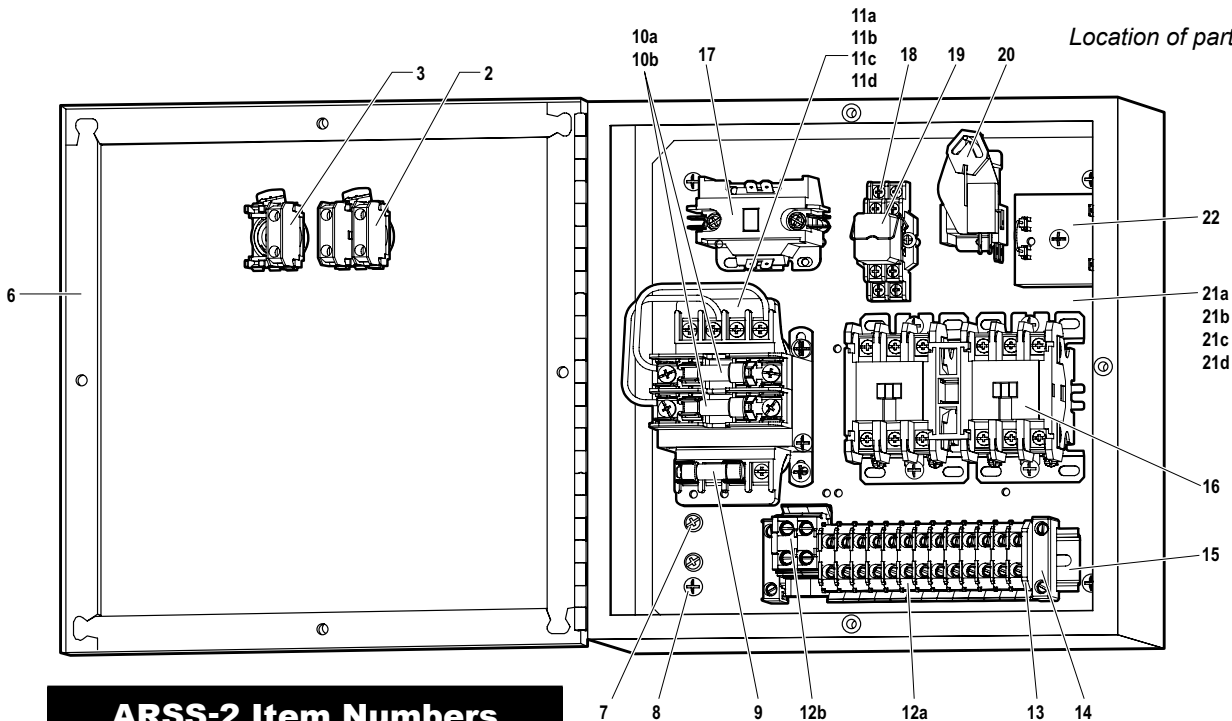
Automatic Reversing Control Panel

PRE-WIRED CONTROL PANEL PARTS BREAKDOWN

*Includes 24 Volt Safety Circuitry



ITEM	PART NO.	DESCRIPTION
1	122BA2	12" X 12" BOX ASSEMBLY
2	ABD100C	BUTTON START
3	ABD200A	BUTTON STOP
4	999083	ARRS2 LABEL
5	997032	SCREW 10-32 X 5/8"
6	122GA	LID GASKET ASSEMBLY 12"
7	SCR1032	SCREW 10-32 HEX HEAD GROUND
8	997093	SCREW 10-32 X 3/8"
9	994101	SECONDARY FUSE 2 AMP 600V CL-CC
10a	994122	FUSE .5 AMP 600V (Used on 460V)
10b	994095	FUSE 1 AMP 600V (Used on 115, 208-230V)
11a	994115A	TRANSFORMER 50VA 208-230V PRIMARY
11b	994115B	TRANSFORMER 50VA 460V PRIMARY
11c	994116A	TRANSFORMER 50VA 115V PRIMARY
12a	994292	TERMINAL BLOCK
12b	994399	LARGE TERMINAL BLOCK
13	994293	TERMINAL END BARRIER
14	994294	TERMINAL END CLAMP
15	994295	DIN RAIL MOUNTING CHANNEL
16	994380	CONTACTOR 24V ASSEMBLY
17	994405	CONTACTOR 24V SECONDARY 1 POLE (For ARSS25 only)
18	994102	RELAY BASE
19	994180	CONTROL RELAY 24V
20	994080	ALTERNATOR 24V
21a	ARSS24IP	INNER PANEL ASSY 115V 1-PH
21b	ARSS25IP	INNER PANEL ASSY 208-230V 1-PH
21c	ARSS27IP	INNER PANEL ASSY 208/230V 3-PH
21d	ARSS29IP	INNER PANEL ASSY 460V 3-PH
22	994125	TIMER #TS1224 24V (For ARSS29 only)



Location of parts may vary

ARSS-2 Item Numbers		
VOLTAGE	PHASE	ITEM NO.
115	1	ARSS24
208 or 230	1	ARSS25
208 or 230	3	ARSS27
460	3	ARSS29

SALVAJOR

4530 East 75th Terrace Kansas City, MO 64132-2081, USA
 Service: 1.888.725.8256 | Fax: 1.800.832.9373
 service@salvajor.com | www.salvajor.com