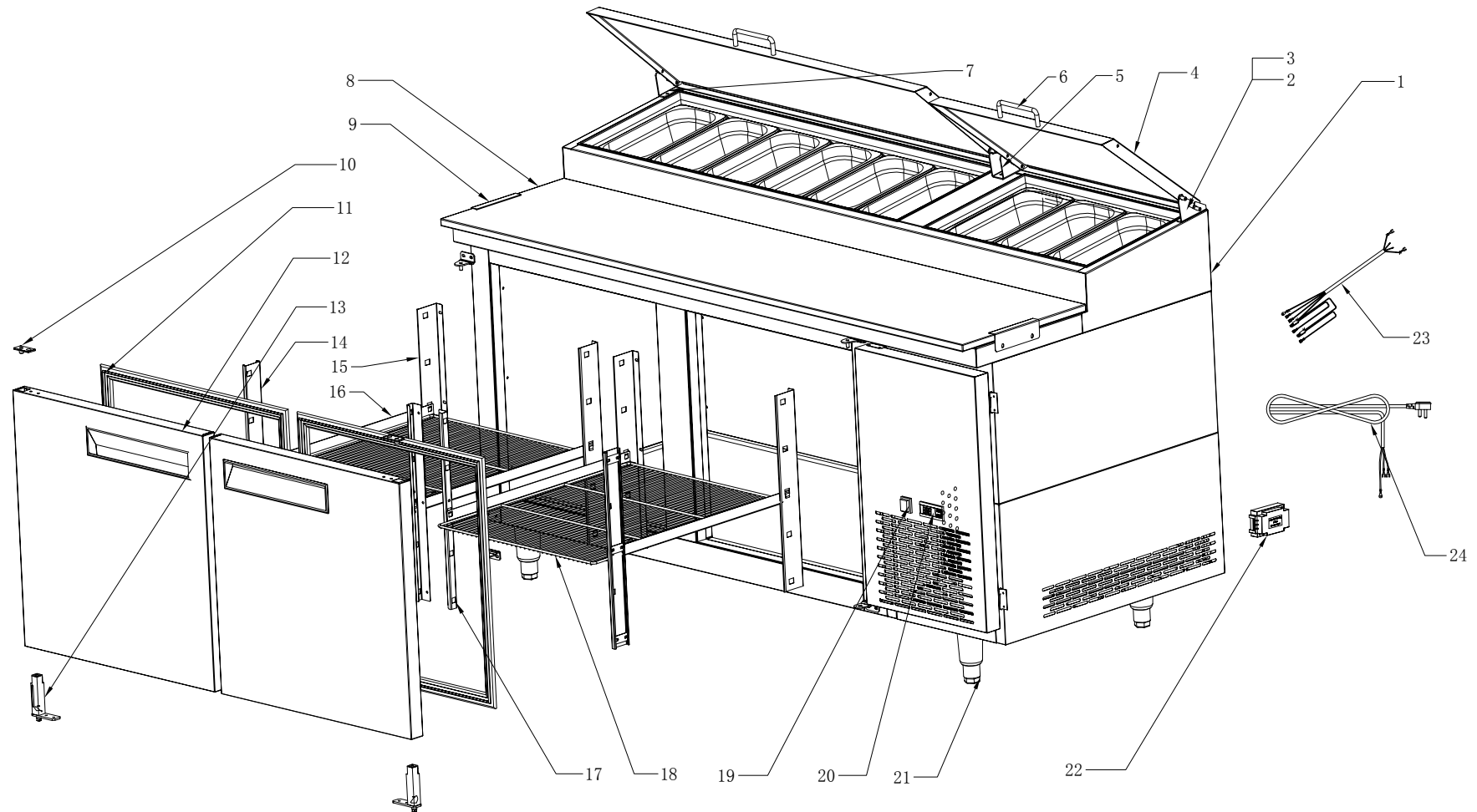


Spare Parts List for DPP70

Dukers Appliance Co., USA Ltd.

Compiled	Roy	06-25-2018
Latest Revision		



Spare Parts List for DPP70

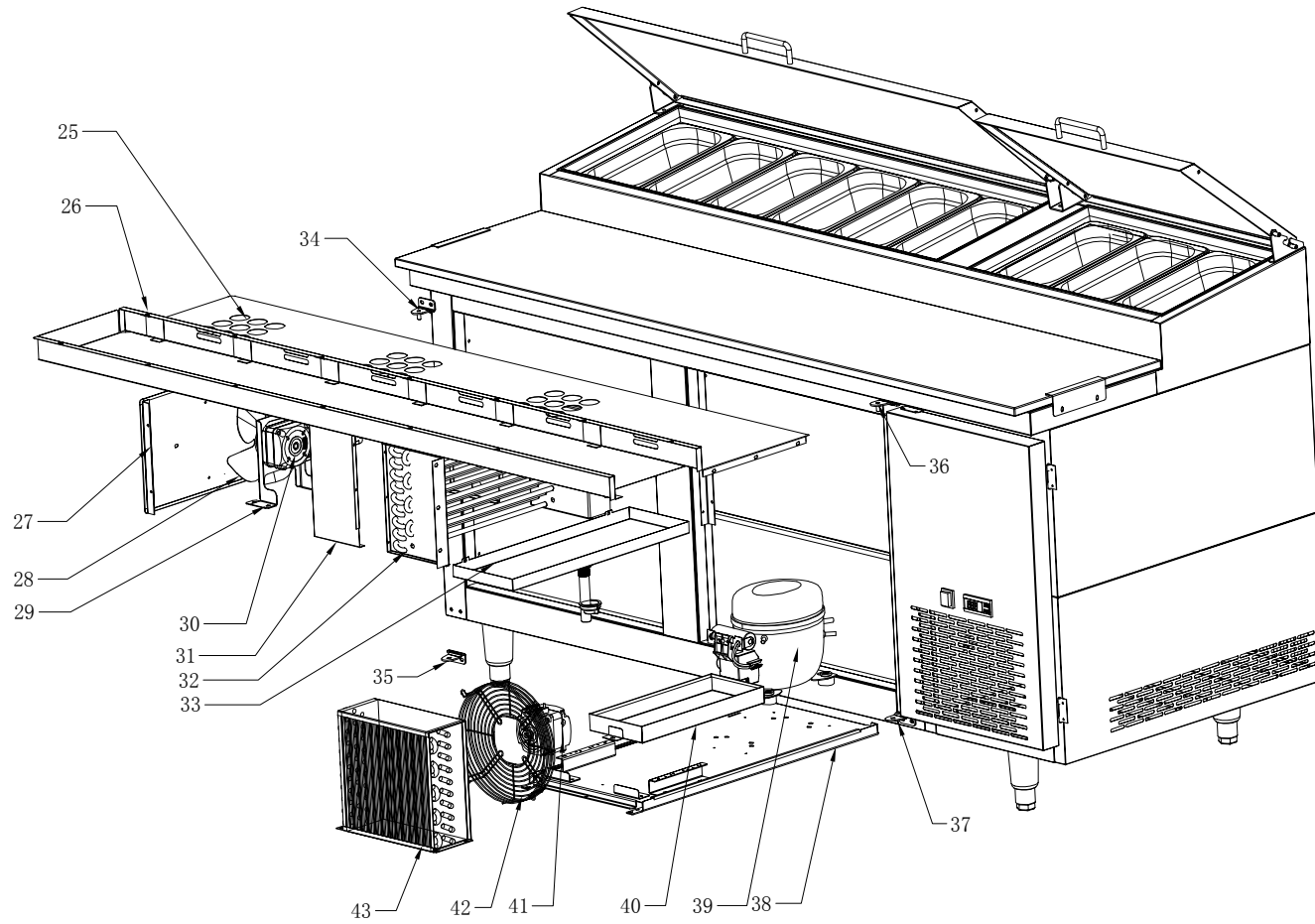
Dukers Appliance Co., USA Ltd.

Compiled

Roy

06-25-2018

Latest Revision



Spare Parts List for DPP70

Dukers Appliance Co., USA Ltd.

25-Jun

Item No.		Item No.	
1	Foaming cabinet	27	Cover for Evaporator Compartment
2	Hinge pin for pan cover	28	Fan blade
3	Pan hinge, right	29	Evaporator fan bracket
4	Pan cover	30	Evaporator fan
5	Pan hinge, middle	31	Air duct
6	Handle of pan cover	32	Evaporator
7	Pan hinge, left	33	Inner drain pan
8	Cutting board	34	Hinge, top left
9	MTG for cutting board	35	Hinge, bottom left
10	Door gasket	36	Hinge top right
11	Door hinge	37	Hinge bottom right
12	Foaming door	38	Compressor base plate
13	Self-close hinge	39	Compressor
14	Wall rail, L/R	40	Outer drain pan
15	Wall rail, back	41	Condenser fan
16	Supporter rail	42	Condenser fan guard grill
17	Wall rail, middle	43	Condenser
18	Shelf		
19	Power switch		
20	Digital controller		
21	Bullet feet, 6 inches		
22	Junction box, JXH-5P		
23	Inner wiring harness		
24	Lead and plug. NEMA 5-15P		
25	Pan trough		
26	Air duct		