



# Pre-Wired Control Panels


## FOR FOOD WASTE DISPOSER


Models: 75-100-150-200-300-500-750



<p><b>MSS</b></p> 	<p><b>NON-REVERSING</b></p> <p><b>1-PHASE</b> 115V, 208V, 230V</p> <p><b>3-PHASE</b> 208V, 230V, 460V</p> <p><i>Best used with Models: 75 &amp; 100</i></p> <p><i>For use in small to medium kitchens, vegetable prep areas, pot sink and soiled dish tables.</i></p>	<p><b>SPECIFICATIONS:</b></p> <ul style="list-style-type: none"><li>• NEMA 4 Stainless Steel Corrosion-Resistant Enclosure</li><li>• Magnetic Contactor</li><li>• START/STOP Push Buttons</li><li>• Terminal Strip Connections</li></ul>	<p><b>ACCESSORIES:</b></p> <ul style="list-style-type: none"><li>• Safety Line Disconnect (LD)</li><li>• <b>P</b> - Mounted Solenoid Valve and Flow Control</li><li>• <b>PP</b> - Mounted Solenoid Valve, Flow Control and Pressure Switch</li><li>• <b>#980104</b> - Mounting Bracket</li></ul>
---	---	--	--

<p><b>MRSS</b></p> 	<p><b>MANUAL REVERSING</b></p> <p><b>1-PHASE</b> 115V, 208V, 230V</p> <p><b>3-PHASE</b> 208V, 230V, 460V</p> <p><i>Best used with Models: 100 &amp; 150</i></p> <p><i>For use in small to medium kitchens, vegetable prep areas, pot sink and soiled dish tables.</i></p>	<p><b>SPECIFICATIONS:</b></p> <ul style="list-style-type: none"><li>• NEMA 4 Stainless Steel Corrosion-Resistant Enclosure</li><li>• Manual Reversing Magnetic Contactors</li><li>• START/STOP Push Buttons</li><li>• Forward/Reverse Switch</li><li>• Terminal Strip Connections</li></ul>	<p><b>ACCESSORIES:</b></p> <ul style="list-style-type: none"><li>• Safety Line Disconnect (LD)</li><li>• <b>P</b> - Mounted Solenoid Valve and Flow Control</li><li>• <b>PP</b> - Mounted Solenoid Valve, Flow Control and Pressure Switch</li><li>• <b>#980104</b> Mounting Bracket for MRSS</li><li>• <b>#980105</b> Mounting Bracket for MRSS-LD</li></ul>
--	---	---	---

<p><b>ARSS-2</b></p> 	<p><b>AUTOMATIC REVERSING</b></p> <p><b>1-PHASE</b> 115V, 208V, 230V</p> <p><b>3-PHASE</b> 208V, 230V, 460V</p> <p><i>Best used with all Models: 75, 100, 150, 200, 300, 500 &amp; 750</i></p> <p><i>For use in medium to large kitchens, all prep areas and soiled dish tables.</i></p>	<p><b>SPECIFICATIONS:</b></p> <ul style="list-style-type: none"><li>• NEMA 4 Stainless Steel Watertight Enclosure</li><li>• 24 Volt Safety Circuitry</li><li>• Automatic Reversing Magnetic Contactors</li><li>• Terminal Strip Connections</li><li>• START/STOP Push Buttons</li></ul>	<p><b>ACCESSORIES:</b></p> <ul style="list-style-type: none"><li>• <b>P</b> - Mounted Solenoid Valve and Flow Control</li><li>• <b>PP</b> - Mounted Solenoid Valve, Flow Control and Pressure Switch</li><li>• <b>#980105</b> Mounting Bracket</li></ul>
--	--	---	--

<p><b>ARSS</b></p> 	<p><b>AUTOMATIC REVERSING</b></p> <p><b>1-PHASE</b> 115V, 208V, 230V</p> <p><b>3-PHASE</b> 208V, 230V, 460V</p> <p><i>Best used with all Models: 75, 100, 150, 200, 300, 500 &amp; 750</i></p> <p><i>For use in medium to large kitchens, all prep areas and soiled dish tables.</i></p>	<p><b>SPECIFICATIONS:</b></p> <ul style="list-style-type: none"><li>• NEMA 4 Stainless Steel Watertight Enclosure</li><li>• Solid State Control Circuit</li><li>• 24 Volt Safety Circuitry</li><li>• 45 Second Drain Line Flush</li><li>• Automatic Reversing Magnetic Contactors</li><li>• Terminal Strip Connections</li><li>• START/STOP Push Buttons</li><li>• Energy/Water-Saving Mode</li><li>• 3 Second Reversing Safety Delay</li><li>• User Adjustable Run Time</li><li>• LED Status Readout</li></ul>	<p><b>ACCESSORIES:</b></p> <ul style="list-style-type: none"><li>• Safety Line Disconnect (LD)</li><li>• <b>P</b> - Mounted Solenoid Valve and Flow Control</li><li>• <b>PP</b> - Mounted Solenoid Valve, Flow Control and Pressure Switch</li><li>• <b>#980105</b> Mounting Bracket</li></ul>
--	--	---	--

**SAFETY FEATURE:**

*All Salvajor Controls include an operator safety feature that prevents automatic starting of the disposer after a power interruption.*

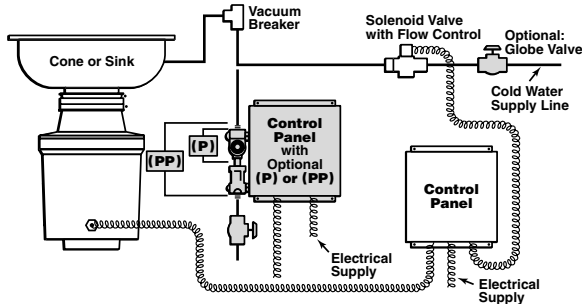
**ALL SALVAJOR CONTROLS ARE:**



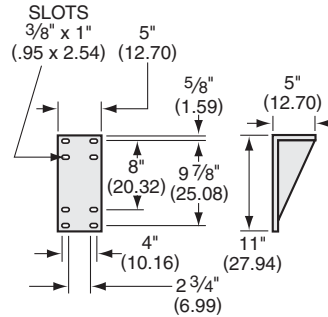
# Salvajor Disposer Controls

DETAILS AND DIMENSIONS

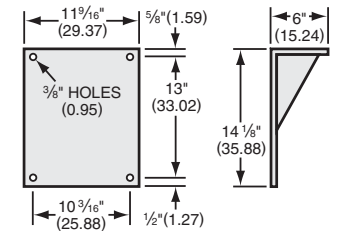
**Typical Installation of a Salvajor Disposer with: MSS, MRSS, ARSS-2 or ARSS Control**



**# 980104 Optional Mounting Bracket**



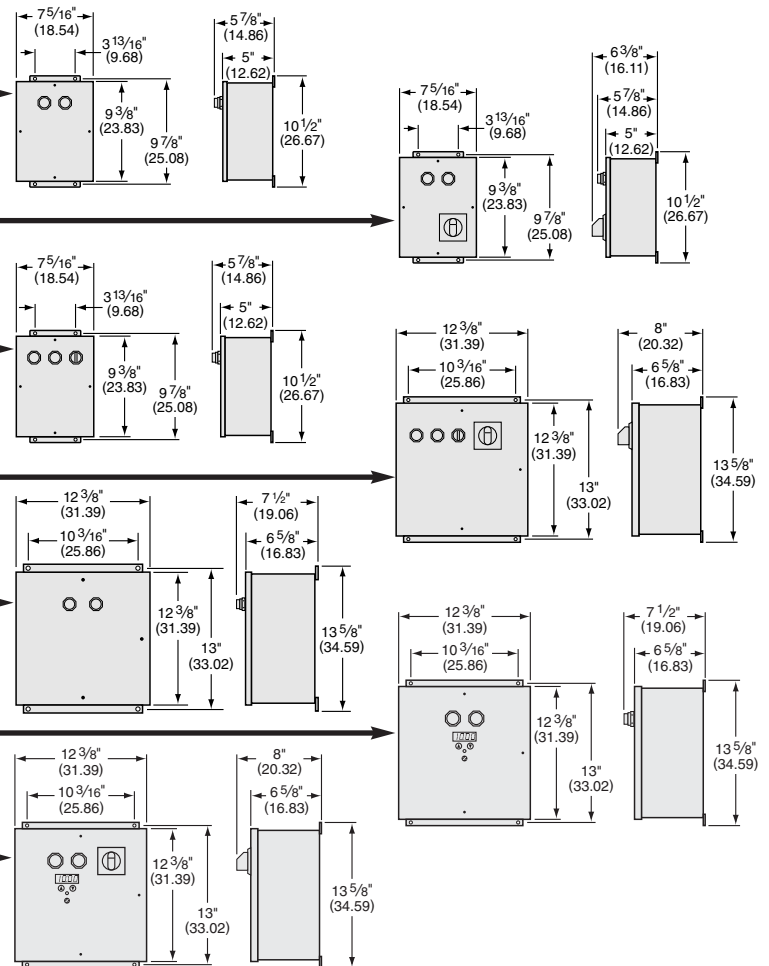
**# 980105 Optional Mounting Bracket**



**ITEM NUMBERS FOR ORDERING**

CONTROL MODEL	VOLTS	PHASE	ITEM NO.
<b>MSS</b>	115	1	<b>MSS4</b>
	208-230	1	<b>MSS5</b>
	208-230	3	<b>MSS7</b>
	460	3	<b>MSS9</b>
<b>MSS-LD</b>	115	1	<b>MSSLD4</b>
	208-230	1	<b>MSSLD5</b>
	208-230	3	<b>MSSLD7</b>
	460	3	<b>MSSLD9</b>
<b>MRSS</b>	115	1	<b>MRSS4</b>
	208-230	1	<b>MRSS5</b>
	208-230	3	<b>MRSS7</b>
	460	3	<b>MRSS9</b>
<b>MRSS-LD</b>	115	1	<b>MRSSLD4</b>
	208-230	1	<b>MRSSLD5</b>
	208-230	3	<b>MRSSLD7</b>
	460	3	<b>MRSSLD9</b>
<b>ARSS-2</b>	115	1	<b>ARSS24</b>
	208-230	1	<b>ARSS25</b>
	208-230	3	<b>ARSS27</b>
	460	3	<b>ARSS29</b>
<b>ARSS</b>	115	1	<b>ARSS4</b>
	208-230	1	<b>ARSS5</b>
	208-230	3	<b>ARSS7</b>
	460	3	<b>ARSS9</b>
<b>ARSS-LD</b>	115	1	<b>ARSSLD4</b>
	208-230	1	<b>ARSSLD5</b>
	208-230	3	<b>ARSSLD7</b>
	460	3	<b>ARSSLD9</b>

**DIMENSIONS**



◆ SPECIFY EXACT OPERATING VOLTAGE ◆

NOTE: Dimensions in parenthesis are in centimeters

See individual Control Panel Specification sheets for complete Details and Dimensions.

(Specifications subject to change without notice)

Current specification details may be found online at [www.salvajor.com](http://www.salvajor.com)



**The Salvajor Company** 4530 East 75th Terrace Kansas City, Missouri 64132-2081, USA

1-800-SALVAJOR

(816) 363-1030

FAX: 1-800-832-9373

[www.salvajor.com](http://www.salvajor.com)

Email: [sales@salvajor.com](mailto:sales@salvajor.com)

[service@salvajor.com](mailto:service@salvajor.com)

Manufacturers of Commercial Food Waste Disposing Systems since 1944