



Project _____
 AIA # _____ SIS # _____
 Item # _____ Quantity _____ C.S.I. Section 114000



BLAST CHILLER ACCESSORIES

TBC-SERIES

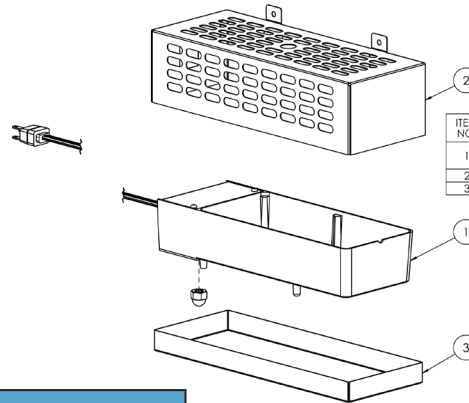
Optional Condensate Evaporators for Models TBC13, TBC1H/TBC1HR & TBC2H/TBC2HR

Description of Purpose

Designed for use with the above models in order to provide condensate removal in lieu of a floor drain. Each includes a two-piece stainless steel upper and lower housing, which provides protection from damaging impacts, and a thermally activated evaporative pan with 9 foot cord and plug (requires provision of a separate electrical outlet) for models TBC1H, TBC1HR, TBC2H & TBC2HR. Note: On model TBC13 this can be mounted to the cabinet bottom, however for models TBC1H, TBC1HR, TBC2H & TBC2HR these are installed inside of a compartment at the cabinet bottom.

| ACCESSORY | TBCACC-60018 (for all roll-in/roll-thru models only) |
|--------------------------------------------|------------------------------------------------------|
| Floor Mounted Condensate Evaporator | |
| L x D x H - Overall in. | 13 1/8 (33.3 cm) x 5 1/8 (12.9 cm) x 3 1/2 (8.9 cm) |
| NEMA Plug (3 wire with ground) | 5-15 P (9' cord) |
| Voltage | 115/60/1 |
| Full Load Amps | 1.5 |

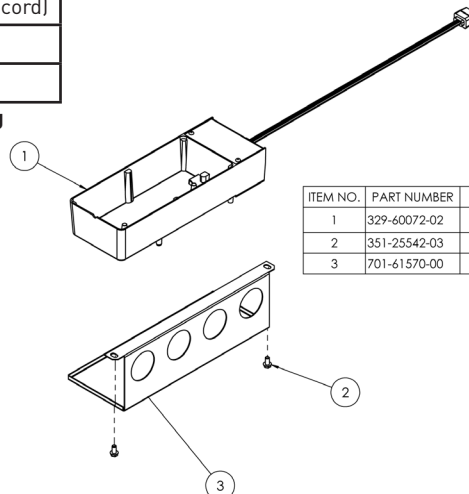
NOTE: Plug requires separate electrical outlet.



| ITEM NO. | PART NUMBER | DESCRIPTION | Default/QT. |
|----------|--------------|---------------------------------------------|-------------|
| 1 | 329-60072-01 | 117V EL. CONDENSATE EVAPORATOR W/ 120' CORD | 1 |
| 2 | 701-60143-00 | CONDENSATE EVAP. EXT. COVER | 1 |
| 3 | 701-60144-00 | COND. EVAPORATOR BTM COVER | 1 |

| ACCESSORY | TBCACC-BMCE (for TBC13 model only) |
|---------------------------------------------|-------------------------------------------------------|
| Bottom Mounted Condensate Evaporator | |
| L x D x H - Overall in. | 12 1/2 (31.73 cm) x 4 7/8 (12.4 cm) x 4 1/8 (10.5 cm) |
| Plug (3 wire with ground) | Plugs into Receptacle on Rear of Unit (18" cord) |
| Voltage | 220/60/1 |
| Full Load Amps | 1.4 |

NOTE: On model TBC13 the cabinet includes provisions for mounting the condensate evaporator to the cabinet bottom. This includes an outlet located on the cabinet bottom and pre-drilled mounting holes on the cabinet bottom.



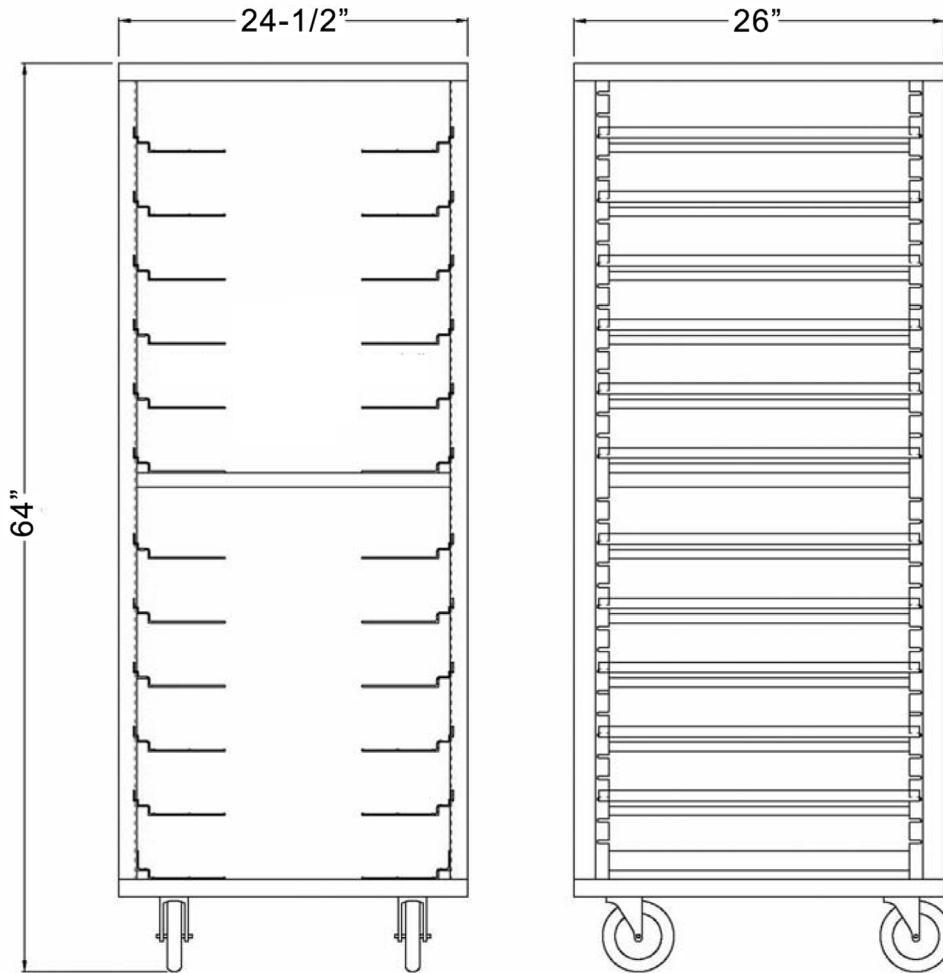
| ITEM NO. | PART NUMBER | DESCRIPTION | QTY. |
|----------|--------------|-------------------------------------------|------|
| 1 | 329-60072-02 | 220V EL. CONDENSATE EVAPORATOR W/18' CORD | 1 |
| 2 | 351-25542-03 | 1/4-20 X 1/2 HWH MACHINE SCREW | 2 |
| 3 | 701-61570-00 | BMCE BRACKET TBC13 | 1 |

Approved by _____ Date _____ Approved by _____ Date _____



TBC-SERIES

Blast Chiller, Optional Roll-In Rack
for Models TBC1H/TBC1HR & TBC2H/TBC2HR



| ACCESSORY | TBCACC-OTRTR (for all roll-in/roll-thru models only) |
|---------------------------------------------------|------------------------------------------------------|
| OPTIONAL ROLL-IN RACK - PART# 342-60132-00 | |
| Length in. | 24-1/2" (62.0 cm) |
| Depth in. | 26" (66.0 cm) |
| Height in. | 64" (162.5 cm) |
| Capacity 12"x20"x2-1/2" | 24 Pans |
| Capacity 18"x26" | 12 Sheet Pans |
| Capacity 14"x18" | 24 Sheet Pans |

CONSTRUCTION & HARDWARE:

Welded construction with casters. Provided with adjustable Universal Tray Slides. Roll-In Rack provides maximum chill performance, with open sides for optimum airflow.

CONTINUED PRODUCT DEVELOPMENT MAY NECESSITATE SPECIFICATION CHANGES WITHOUT NOTICE.