



GEMINI HIGH TECH BREWING SYSTEMS

MODELS: GEM-12; GEM-230A; GEM-120A; GEM-120P

ITEM NO _____

PROJECT _____

DATE _____



The Ultimate in Commercial Coffee Brewing.

- Customer-Pleasing Coffee
- Unsurpassed Versatility
- Greater Capacity
- Faster Brewing
- Convenient Operation
- Reduced Operating Costs



GEMINI... COMMERCIAL COFFEE BREWING WILL NEVER BE THE SAME AGAIN!

The Gemini System from Wilbur Curtis has set the standard of excellence in commercial coffee brewing.

Gemini eclipses common coffee brewers and old-fashioned urns with these benefits:

- Consistently Superb-Tasting Coffee.
- Proven Unsurpassed Versatility.
- Greater Capacity.
- Faster Brewing Time.
- Convenience... with large capacity and easy, touchbutton control.
- Lower Operating Costs.

LIFT-OFF SATELLITE SERVERS

Each trim and stylish unit consists of two major components:

- A High-Volume Brewing Module.
- One or Two Lift-Off Satellite Servers with Locking Lids.

Curtis' Gemini Systems are world renowned for their unique, removable Satellite Servers. These convenient, insulated servers lift-off to become remote serving stations. Just add satellites to expand your service.

There's no need to purchase extra urns and brewers. Each Satellite Server holds up to 36 cups (11/2 gal) of coffee at the ideal serving temperature — without warming.

MORE BREWING CAPACITY IN LESS COUNTER SPACE

Each Gemini is a complete coffee service center, with up to twice the brewing capacity of most brewers. And, Gemini's amazingly small footprint uses only inches of your valuable counter space.

BREWS FASTER... AND MORE PROFITABLY

Gemini Systems not only have greater coffee brewing capacity than many larger brewers, but they brew more coffee in less time. Gemini deep brew baskets and full-coverage spray maximize coffee extraction, improve coffee taste and extend your coffee dollar.

Gemini cuts energy costs, too. "Pulse Heating" uses small bursts of electricity to keep water at the precise brewing temperature. Reliable solid-state controls monitor brewing functions to produce perfect coffee every time. Labor costs are reduced, too, because Gemini Systems brew larger quantities and are so simple to operate. They require far less attention than other brewers. Lower coffee, energy and labor costs add up to greater profits.

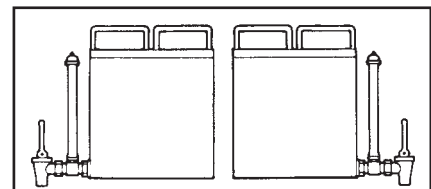
GEMINI...THE GREATEST VALUE

All things considered, Gemini represents the greatest value in commercial coffee brewing today. That's why Gemini is the industry standard.



Four Systems to choose from...

- GEM-12
- GEM-120P
- GEM-120A
- GEM-230A



Portable Satellites may be rotated (scrambled) for side service.

GEM-12

Automatically brews up to 400 rich, delicious cups of coffee per hour — 36 or 72 cups with each touch of a button. Only 18 inches wide. Dual brewing heads feature full coverage spray. Includes two insulated lift-off Satellite Servers on warmer deck, and separate hot water spout. Optional Hinged Security Cover conceals control panel to eliminate tampering in self-service use.

Features

- Two separate brew heads for consistent, independent, simultaneous brewing.
- Hot water spout lets you draw piping hot water for tea, soups, and other profitable “instants” anytime — even during brewing cycle.
- Adjustable water bypass on each brewing head for balanced coffee flavor.
- Instantaneous hot water recovery.
- Automatic controls protect against low water and overflow.
- High-efficiency, double-wall insulation in each Satellite Server maintains coffee temperature for extended periods without warming. Coffee cannot deteriorate, but maintains its rich, full-bodied flavor.
- Locking Satellite lids guard against accidental spills.
- Color coded Satellite faucets available for regular coffee, decaffeinated coffee, or tea.
- Solid-state electronic controls.



Handsome Brass GEM-12 Limited Edition

Ideal for high visibility coffee service, the elegant all-brass GEM-12 has all of the same features, and works every bit as hard as its good-looking polished stainless steel counterpart.



GEM-230A

All of the splendid Gemini features in a more compact size. Only 9 inches wide. Automatically brews up to 250 cups of hearty, aromatic coffee per hour. Accommodates a single insulated Satellite Server on the warmer deck.

Features

- Brews 36 cups automatically.
- Yields up to 250 cups per hour.
- Separate hot water spout.
- Adjustable water bypass for balanced coffee flavor.
- Automatic controls protect against low water and overflow.
- Includes Satellite Server with Locking Lid.



GEM-120A

Conveniently and automatically brews 12 or 24 cups of rich, full-bodied coffee at a time into a 36-cup Satellite Server. Plugs into conventional 115V wall socket. A brew-ready light signals when water temperature is ready for the next brewing cycle. Timer can also be set to brew 24 cups at a time without refilling the brew basket.

Features

- Brews automatically in 12 or 24-cup increments.
- Automatic timer allows brewing of 24 cups without brew basket reloading.
- Separate hot water spout.
- Includes Satellite Server with Locking Lid.
- Optional 2.5" adjustable legs.

SPECIFICATIONS	GEM-12	GEM-230A	GEM-120A
Finished Brew Capacity	36 Cups/Side 72 Cups/Brew	36 Cups/Brew	12 or 24 Cup Brew Cycle 36 Cup Capacity
Dimensions (HxWxD)	29" x 18" x 16.5"	30.75" x 9" x 16.5"	27" x 9" x 16.5"
Voltage	220V/Single Phase/3 Wire + Ground (optional 3 phase & export)	220V/Single Phase/3 Wire + Ground (optional 3 phase & export)	120VAC/60Hz
Power Requirements	6300W/29.0A	4175W/19.0A	1775W/14.8A
Cord & Plug	Not Furnished	Not Furnished	6 ft./NEMA 5-15p
Water Inlet	.25" Compression	.25" Compression	.25" Flare
Shipping Weight (lbs)	85 lbs.	59 lbs.	36 lbs.
Cube (cu.ft.)	8.6	4.84	4.84



GEM-120P

Combines pour-over convenience with advanced Gemini coffee brewing technology for rich, delicious coffee. Requires no plumbing and plugs into standard 115V wall socket. Simply place in desired location, pour in water and connect power. Brews 12 cups at a time into insulated 36-cup Satellite Server. Brew-ready signals when water has reached brewing temperature.

Features

- Pour-over brewing in 12 cup increments.
- Includes Satellite Server with Locking Lid.
- No plumbing required.
- Optional 2.5" adjustable legs.

GEMINI ACCESSORIES

GEM-3 INSULATED SATELLITE SERVERS

Expand your coffee service by placing extra insulated Satellite Servers in strategic locations away from brewer. Serving stands are available in two heights to provide extra convenience. Satellite Servers keep coffee at the ideal temperature for extended times, and heated serving stands maintain it for even longer periods.

Dimensions	9"W x 9"D x 11"H with handle
-------------------	------------------------------

GEM-5 HEATED SATELLITE SERVING STAND

Raises Satellite to 9.75" to easily accommodate decanters. 100 watt heating element.

Dimensions	9"W x 9"D x 9.75"H
-------------------	--------------------

Power	115V
--------------	------

GEM-8 HEATED SATELLITE SERVING STAND

Designed for use with GEM Systems 120A and 120P, the stand raises the satellite 5.375" for cup service. 100 watt heating element.

Dimensions	9"W x 9"D x 5.375"H
-------------------	---------------------

Power	115V
--------------	------

STAINLESS STEEL DRIP TRAYS

Perfect for any Gemini System or Satellite Serving Stand.

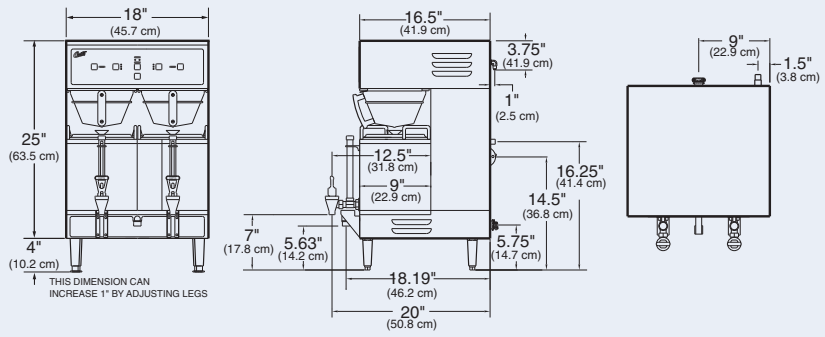
DT-08	8"W x 5"D x .75"H
--------------	-------------------

DT-15	15"W x 5"D x .75"H
--------------	--------------------

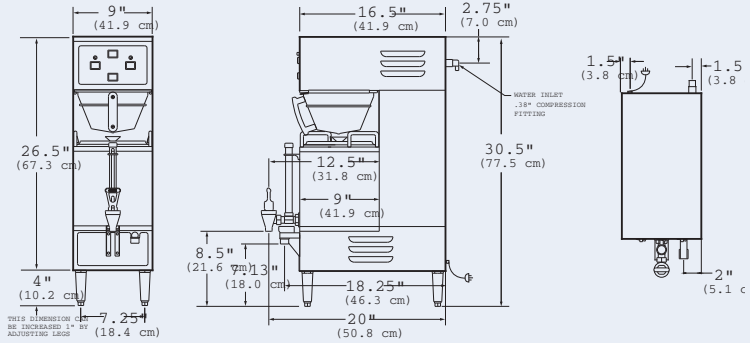


SPECIFICATIONS	GEM-120P	GEM-3	GEM-5	GEM-8
Finished Brew Capacity	12 Cup Brew Cycle 36 Cup Capacity	36 Cups	N/A	N/A
Dimensions (HxWxD)	27" x 9" x 16.5"	9" x 9" x 11"	9" x 9" x 9.75"	9" x 9" x 5.375"
Voltage	120VAC/60Hz	N/A	120VAC/60Hz	120VAC/60Hz
Power Requirements	1700W/14.2A	N/A	100W	100W
Cord & Plug	6 ft./NEMA 5-15p	N/A	6 ft./NEMA 5-15p	6 ft./NEMA 5-15p
Water Inlet	Pour Over	N/A	N/A	N/A
Shipping Weight (lbs)	40 lbs.	12 lbs.	7 lbs.	8 lbs.
Cube (cu.ft.)	4.84	1.59	1.59	1.59

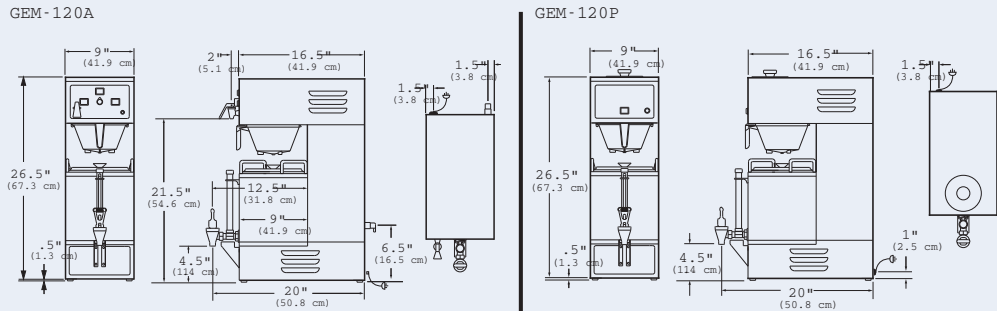
GEM-12



GEM-230A



GEM-120A GEM-120P



WILBUR CURTIS COMPANY, INC.

6913 Acco Street . Montebello, CA 90640-5403

Telephone: 800-421-6150 . 323-837-2300 . Fax: 323-837-2406

www.wilburcurtis.com

