

# INSTRUCTION MANUAL

## INDUSTRIAL BLENDER - T115-81.571.00936-A

\* Please read these instructions carefully before operation this appliance.

### IMPORTANT SAFEGUARDS

When using electrical appliances, basics safety precautions should always be observed including the following:

- Before connecting your blender check if voltage of your power system corresponds to the same specified on the appliance.
- To protect against risk of electrical shock, do not put cord, plug, base or motor in water or other liquids.
- Never connect two or more appliances in the same plug.
- When not in use, unplug the blender.
- Avoid starting blender empty.
- Avoid contact with moving parts because blades are sharp. Handle carefully.
- Keep hands and utensils out of container while blending to prevent the possibility of severe personal injury and or damage to blender. A plastic spatula may be used but only when blender is "NOT RUNNING".
- Only tilt the container when blender "COMPLETELY STOPPED".

### INSTRUCTIONS FOR USE

- Blender control is made by switch ( ON - OFF)
- It is recommended to cut food in small pieces and maintain food below frieze height to avoid spilling.
- To start blender place small quantity of food before connecting it, and afterwards complete container.
- When blender is running do not remove the lid.
- If blender action stops, turn blender off. Remove lid and use a plastic spatula to push mixture toward blades. Replace lid and continue.

### CLEANING PROCEDURE

- Clean container (cup) with liquid soap and water filling to half capacity.
- Turn on blender for some seconds.
- Turn off blender, empty the container and rinse it.
- Unplug blender clean body and external cup with a wet cloth.
- Do not use harsh detergent or chemical products for cleaning.
- Never use water jet or immerse appliance in water.
- Wipe off appliance switch a dry cloth and wait at least half an hour before re-connecting to the main power outlet.

The pictures/drawings are illustrations. All data can be changed without notification.



# T115

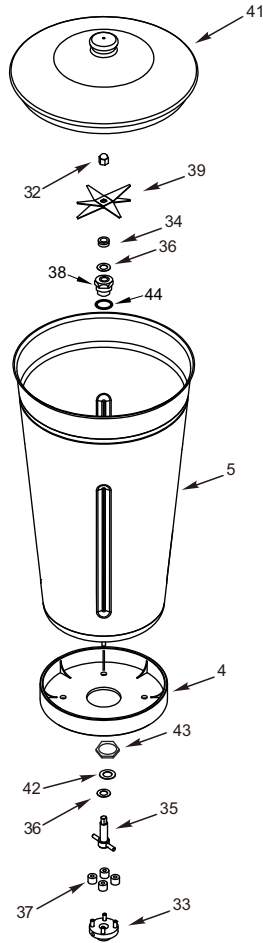
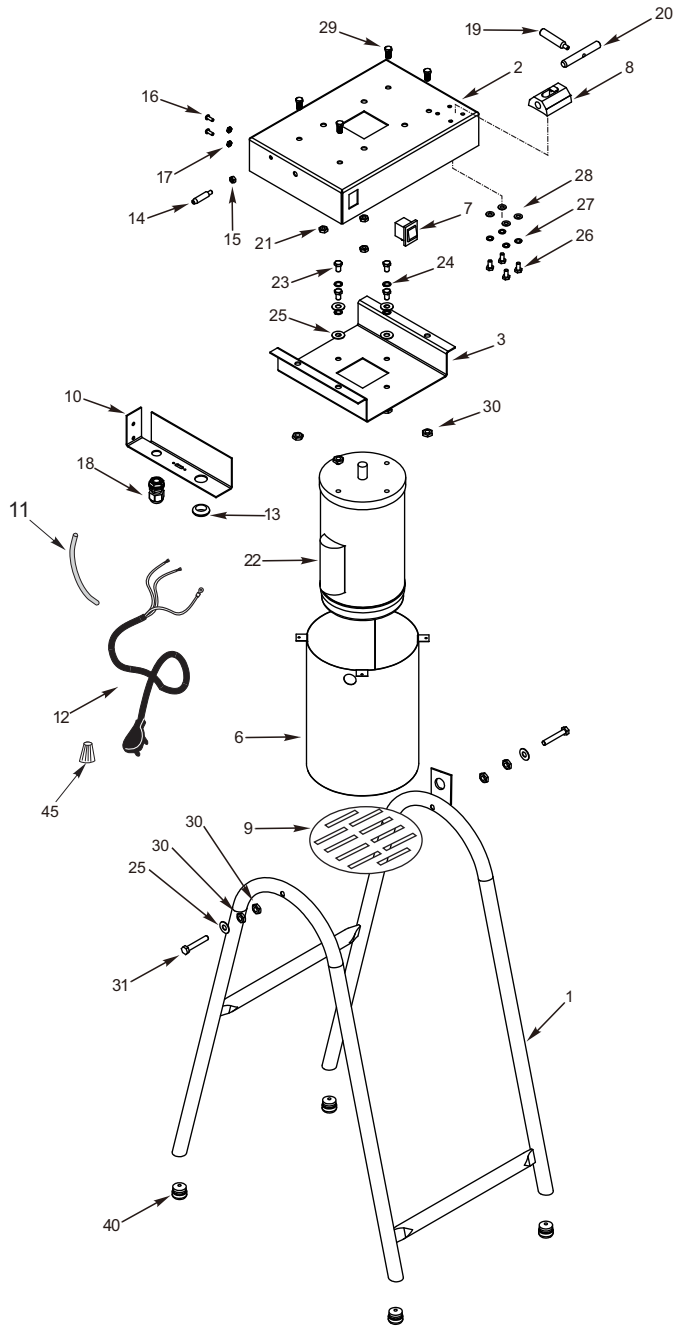


**AMERICA PARTS & TOOLS, INC**  
3705 NW, 115th Ave Unit 8  
Doral, FL 33178  
PH: +1-786-5369960  
email: [info@americapartstools.com](mailto:info@americapartstools.com)

T115-81.571.00936-A



# INDUSTRIAL BLENDER 15 LITERS (TI 15)



# INDUSTRIAL BLENDER 15 LITERS (TI 15)

item	code	description
1	17.559-3	Blender Support
2	17.562-3	Base
3	17.561-3	Motor Support
4	16.683-3	Container's Base
5	16.696-3	Container
6	17.555-3	Motor Cover
7	260	Switch
8	40.049-3	Latch Support
9	17.552-3	Motor Cover Bottom
10	17.560-3	Wiring Cover
11	37.017-3	Protection Sleeve
12	2.082-3	Power Cord
13	2.007-3	Rubber Protector
14	5.207-3	Pin
15	601	Nut
16	384	Screw
17	604	Nut
18	9.433-3	Cord Retainer
19	37.919-3	Latch Din
20	37.920-3	Latch Body
21	635	Nut
22	37.226-3	Motor
23	334	Screw
24	598	Press Washer
25	641	Washer
26	332	Screw
27	597	Press Washer
28	642	Washer
29	37.161-3	Screw
30	638	Nut
31	17.650-3	Screw
32	37.033-3	Nut
33	20.893-3	Shaft Adapter
34	37.063-3	Retainer
35	37.079-3	Shaft
36	37.511-3	Underfriction Washer
37	21.940-3	Rubber Ring
38	37.154-3	Bushing
39	18.813-3	Knife
40	37.015-3	Foot
41	37.019-3	Lid
42	18.983-3	Washer
43	37.058-3	Chuck Nut
44	37.062-3	O' Ring
45	2.190-3	Wiring Conector

## Technical Data

TI15-81.571.00936-A	
Voltage (V)	127(60 Hz)
Power (HP)	1 1/2
Amperage (A)	18.0
Speed (rpm)	3500
Capacity (l)	15
Weight (Kg/lbs)	24 / 52.8
Dimension WxHxD (cm/in)	46/18.2 x 119/46.9 x 57/22.5