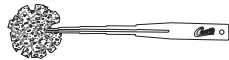


Important Safeguards

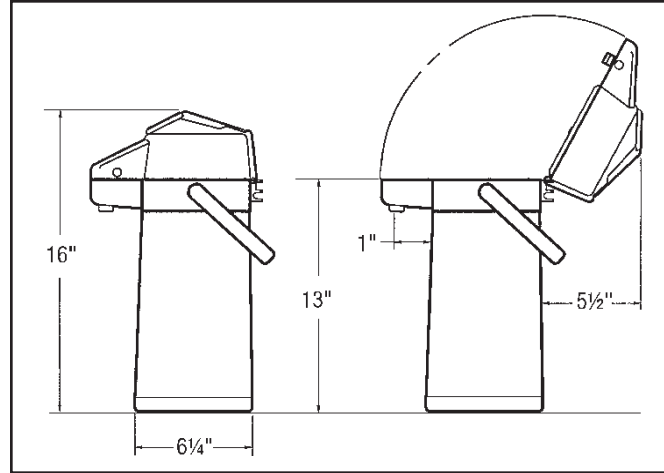


CAUTION: Failure to follow the instructions can result in injury or the voiding of the warranty.

- Do Not immerse the unit in water or any other liquid.
- Leave a 1¼" space from the brim of the airpot when filling to prevent overflow.
- Maintain distance from direct heat around stoves and hot surfaces.
- Glass liners may shatter if dropped or mishandled. Liner breakage can also occur when unprotected suction tube hits inside the liner. Make sure the end of the suction tube has its silicone cap.
- Keep hands and other items away from hot parts of unit during operation of brewer.
- Never clean airpot with scouring powders or harsh cleaners containing chlorine.
- Do Not use scrub brush or coarse pad to clean inside the liner. Glass may be damaged. We recommend the JB-1 brush, available from Curtis.
- Do Not carry airpot with pump lever propped open. Hot liquid may inadvertently dispense if lever is pressed.



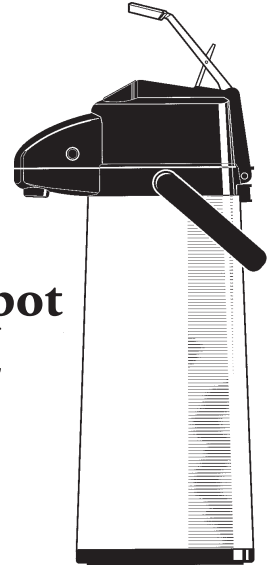
Specifications



- Brewthrough Stopper
- 2.2 Liter Capacity
- Content Identification Labels
 - Hot Water
 - Tea
 - Regular
 - Decaf
- Keeps liquids hot or cold for up to 10 hours.

Curtis® Instructions

Thermopro Airpot Model TLXA22



Curtis®

WILBUR CURTIS CO., INC.

6913 Acco St., Montebello, CA 90640-5403 USA

◆ Phone: 800/421-6150 ◆ Fax: 323-837-2410

◆ Technical Support Phone: 800/995-0417 (M-F 5:30A - 4:00P PST)

◆ E-Mail: techsupport@wilburcurtis.com

◆ Web Site: www.wilburcurtis.com

FOR THE LATEST SPECIFICATION INFORMATION GO TO
WWW.WILBURCURTIS.COM

Instructions

To open the lid:

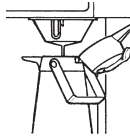
- Move the carrying handle to the back of the airpot.
- Squeeze in the two lock buttons on both sides of the lid and lift backwards.
- Remove the stopper and fill to 1¼" from the mouth of the liner. Return the stopper and close the lid.



IMPORTANT: To avoid temperature drop when first brewing coffee into the airpot, preheating the airpot is recommended. Fill the airpot with hot water for a moment, just to warm the liner. Empty the hot water, then brew.

Using an airpot brewer:

- When brewing for the first time, set the brew time with the stopper removed so you can observe the brew volume. Once volume is fixed, you may brew through the stopper. Because the orifice on the stopper is so small, take care when centering under the brewer.
- Close the lid. Lid should snap closed.



To dispense coffee:

- Lift the lever arm high enough to engage the safety prop that holds it in place.
- Pump the lever arm to dispense.



Cleaning:

- Clean with warm water and dishwashing detergent. Use a sponge cleaning brush to scrub inside.
- Rinse thoroughly with hot water.



CAUTION

Do not immerse in water. Do not place in dishwasher. Do not use harsh powders or cleansers containing chlorine.

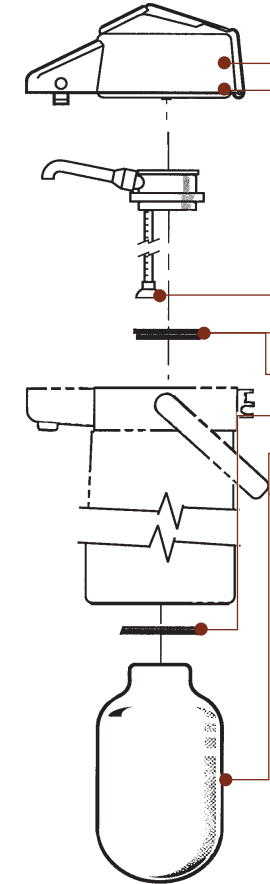
Features

- Lever pump makes serving quick and easy.
- Removable lid facilitates cleaning.
- Strong lever, durable enough for commercial use.
- Swivel base for 360° of pouring convenience.
- Direct brewing capability for faster brew time.
- Airpot Capacity 2.2 Liters.
- Available with glass or stainless liner.
- Available in various colors.

Troubleshooting

- Contents will not flow when pumped:
 - Is there adequate liquid volume in the airpot.
 - Is the stopper properly inserted?
 - Is there a tight fit at the stopper gasket?
 - Is the lever handle being pumped with enough force?
 - Is the suction pipe of the stopper assembly clogged.
 - Has the rotating bottom cover loosened. A leak in air pressure may cause insufficient suction.

Parts List



PART NUMBER	DESCRIPTION
WC-5671	LID, LEVER BLACK REGULAR
WC-5667	LID, LEVER ORANGE DECAF
WC-8636	STOPPER, GLASS LINER BLACK
WC-43070	GASKET, TLXA22 SS LINER
WC-43069	GASKET, GLASS LINER
WC-43071	RING, SS LINER*
WC-5748	LINER, SS 2.2L TLXA22*
WC-5749	LINER, GLASS 2.2L TLXA22**

* Ring and stainless steel liner sold separately.
** Glass liner comes with ring & cushion envelope.