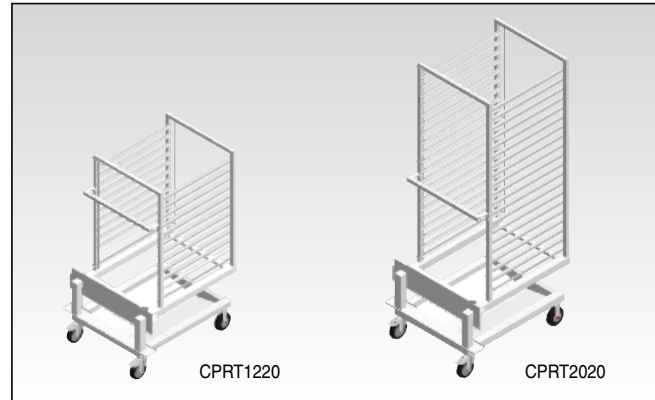


## COMBI OVEN-STEAMER Options & Accessories

### Trolley Systems for Floor Models

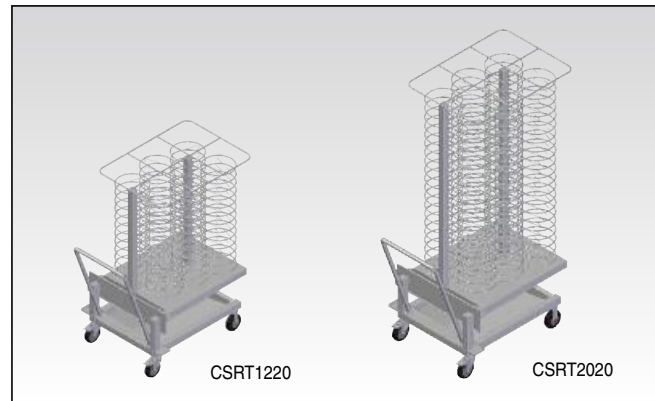
#### Shelf Roll-In Trolley (Wire Shelves not included)

Model #	Description
CSRT1220	for model 12.20
CSRT2020	for model 20.20



#### Plate Roll-In Trolley

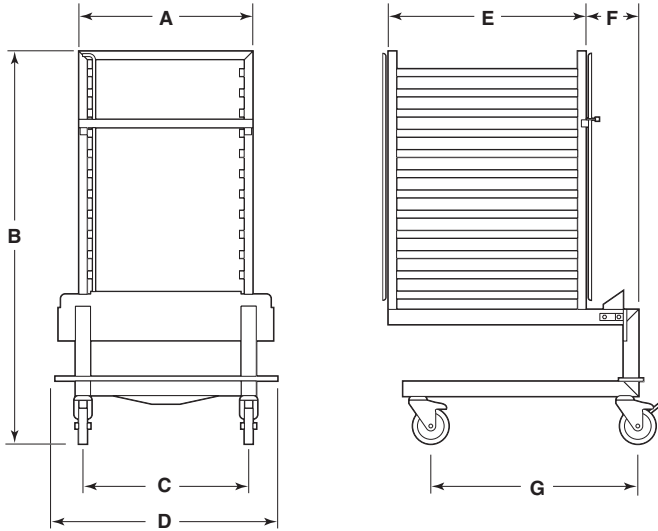
Model #	Description
CPRT1220	for model 12.20
CPRT2020	for model 20.20



#### Thermal Cover (for Plate Roll-In Trolley & Shelf Roll-In Trolley)

Model #	Description
CTC1220	for model 12.20
CTC2020	for model 20.20

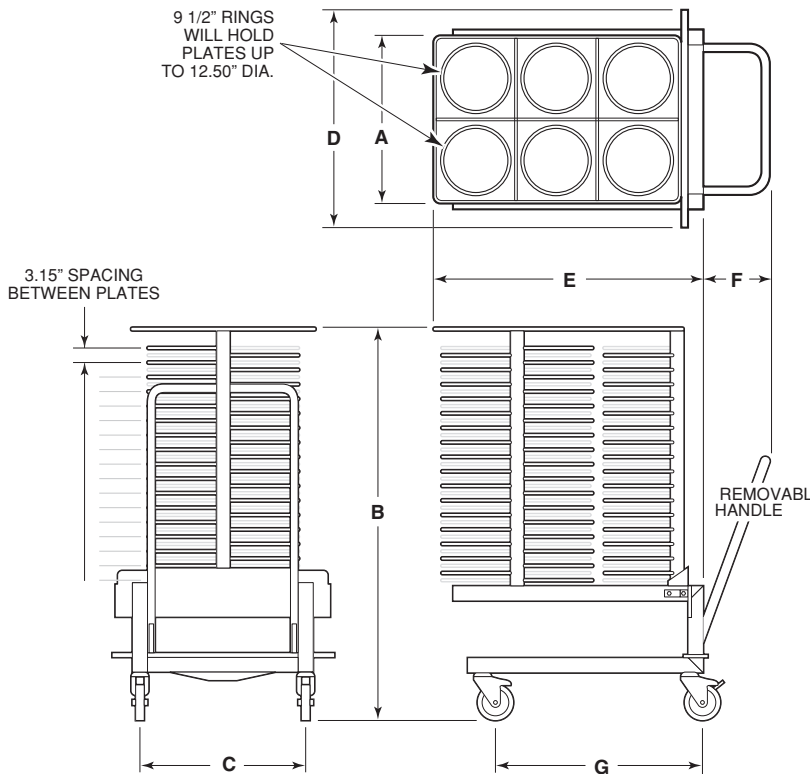




**Shelf Roll-In Trolley** (Wire Shelves not included)

Model #	Dimensions (inches)						
	A	B	C	D	E	F	G
CSRT1220	23.18	52.00	21.65	29.13	25.75	7.20	29.03
CSRT2020	23.18	72.95	21.65	29.13	25.75	7.20	29.03

Shelf Capacity	
CSRT1220	12 (18" by 26" full size sheet pans)
CSRT2020	20 (18" by 26" full size sheet pans)



**Plate Roll-In Trolley**

Model #	Dimensions (inches)						
	A	B	C	D	E	F	G
CPRT1220	24.21	51.99	21.65	29.13	36.00	13.50	29.02
CPRT2020	24.21	72.76	21.65	29.13	36.00	13.50	29.02

Plate Capacity*	
CPRT1220	59
CPRT2020	98

\* Holds plates up to 12.50" dia.

**NOTES:**

Convotherm reserves right of design improvement or modification, as warranted.  
 Many regional, state and local codes exist and it is the responsibility of the owner and installer to comply with the codes.  
 Convotherm equipment is built to comply with applicable standards for manufacturers.