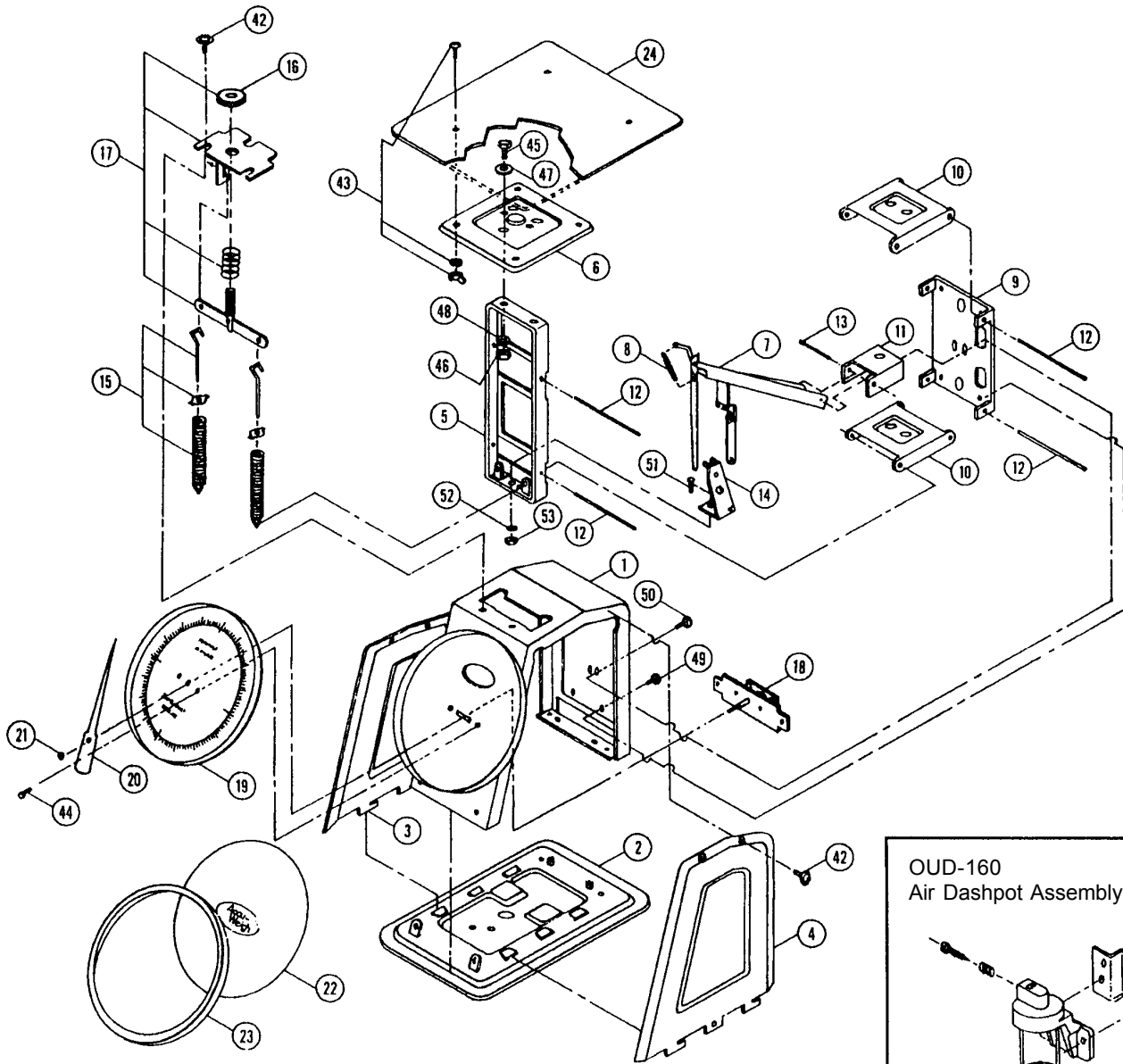


UNIVERSAL DIAL-Heavy Duty Parts List



OUD-168
 Special Zero
 Adjustment Bracket

OUD-160
 Air Dashpot Assembly

Yamato

YAMATO CORPORATION
 1775 S. Murray Blvd.
 Colorado Springs, CO 80916 USA
 Tel (719) 591-1500 Fax (719) 591-1045

YAMATO TECH CORPORATION
 #112-19425 Langley By-Pass
 Surrey, B.C. V3S 6K1 Canada
 Tel (604) 533-2338 Fax (604) 533-0827

Parts List **UNIVERSAL DIAL-Heavy Duty**

ITEM	PART #	DESCRIPTION	QTY.	UNIT PRICE
1	YAM-1300-990001	Housing (to 75 lb capacity)	1	
	YAM-1300-990501	Housing (over 75 lb capacity)	1	
2	YAM-1300-990002	Base (to 75 lb capacity)	1	
	YAM-1300-990502	Base (over 75 lb capacity)	1	
3	YAM-1300-990003	Side panel, left	1	
4	YAM-1300-990004	Side panel, right	1	
5	YAM-1300-990005	Vertical lever	1	
6	YAM-1300-990006	Platform support plate	1	
	YAM-1300-990606	M-150PK platform support plate	1	
7	YAM-1300-990007	Rack lever assembly	1	
8	YAM-1300-990008	Rack tension spring	1	
9	YAM-1300-990009	Lever mounting bracket	1	
10	YAM-1300-990010	Horizontal lever	1	
11	YAM-1300-990011	Rack lever mounting bracket	1	
12	YAM-1300-990012	Stainless steel fulcrum rod	1	
13	YAM-1300-990013	Rack lever fulcrum rod	1	
14	YAM-1300-990014	Rack guiding bracket assembly	1	
15	YAM-1300-990415	Weighing spring, 75 lb	1	
	YAM-1300-990515	Weighing spring, 100 lb	1	
	YAM-1300-990615	Weighing spring, 150 lb	1	
16	YAM-1300-990016	Zero adjustment knob	1	
17	YAM-1300-990017	Zero adjustment assembly	1	
18	YAM-1300-990018	Pinion assembly	1	
19	YAM-1300-990419	M-75PK dial chart (75 lb x 4 oz and 33.5 kg x 100 g)	1	
	YAM-1300-990519	M-100PK dial chart (100 lb x oz and 45 kg x 100 g)	1	
	YAM-1300-990619	M-150PK dial chart (150 lb x 8 oz and 67 kg x 200 g)	1	
20	YAM-1300-990020	Indicator	1	
21	YAM-1300-903510	Indicator lock nut (same as YAM-1140-903510, bench dial)	1	
22	YAM-1300-990022	Plexiglas chart cover, 11"	1	
23	YAM-1300-990023	Scroll, 11 1/8"	1	
24	YAM-1300-990024	Flat platform	1	
29	YAM-1280-0UD168	Special zero adjustment bracket (0UD-168)	1	
30	YAM-1280-0UD162	Air dashpot (2 each scale) (0UD-162)	1	

UNIVERSAL DIAL-Heavy Duty Parts List

ITEM	PART #	DESCRIPTION	QTY.	UNIT PRICE
42	MCH-5000-041015	Side panel Screw (H.D)	2	
43	MCH-1300-980038	Screw, washer assembly	1	
44	YAM-1300-901578	Chart screw	1	
45	YAM-1300-901735	Platform support plate bolt	1	
46	MCH-5000-0339075	Platform support plate nut Hex, M6, SS	1	
47	YAM-1300-903735	Platform support plate flat washer	1	
48	YAM-1300-903737	Platform support plate spring washer	1	
50	YAM-1300-901711	Rack lever bracket screw	1	
51	YAM-1300-901581	Rack guiding bracket screw	1	
52	YAM-1300-903592	Rack guiding bracket spring washer	1	
53	YAM-1300-903580	Rack guiding bracket nut	1	
54	YAM-1300-901577	Dashpot mounting screw	1	