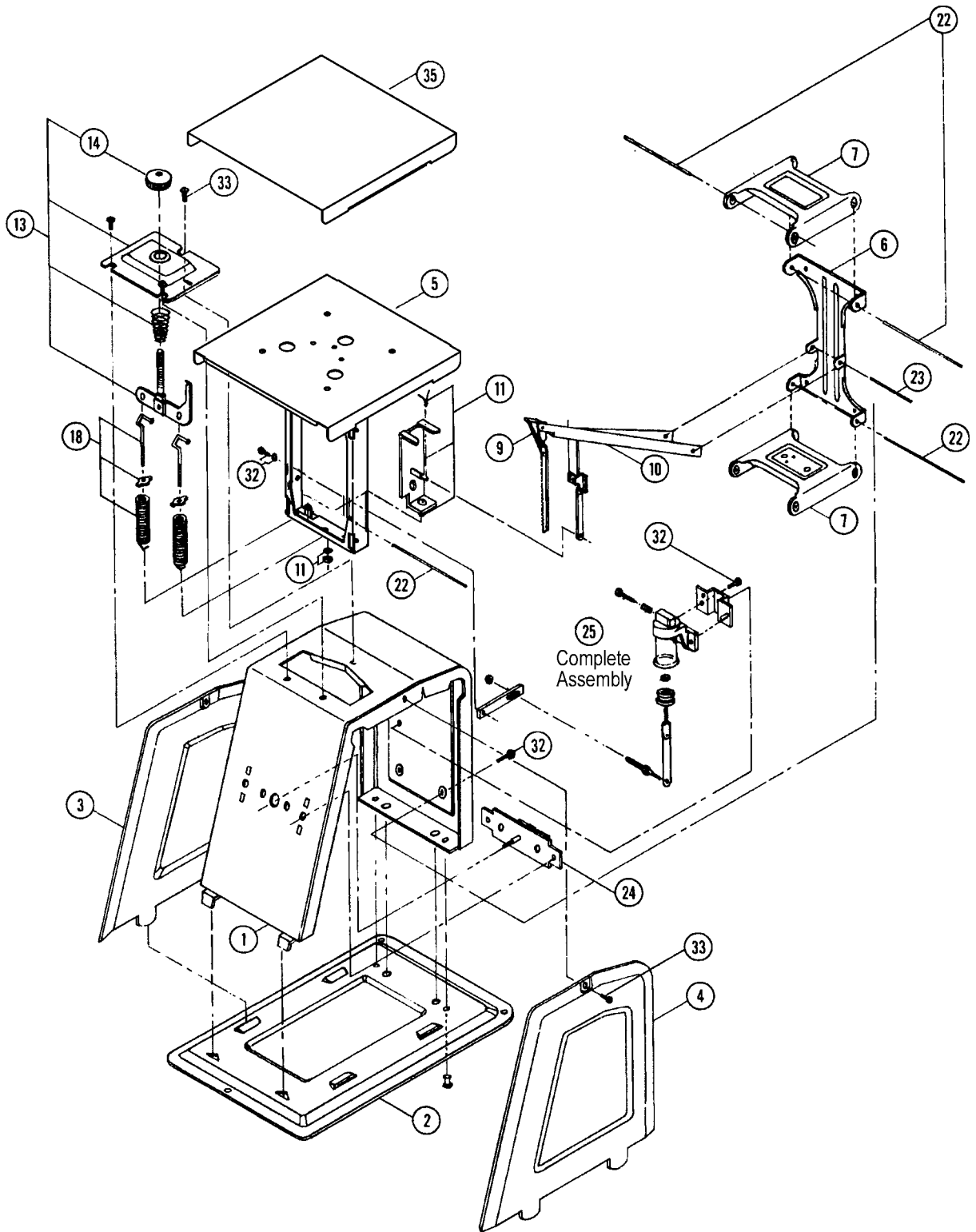


UNIVERSAL DIAL-Standard Parts List



YCO-1025-08-04

1/5

Yamato

YAMATO CORPORATION

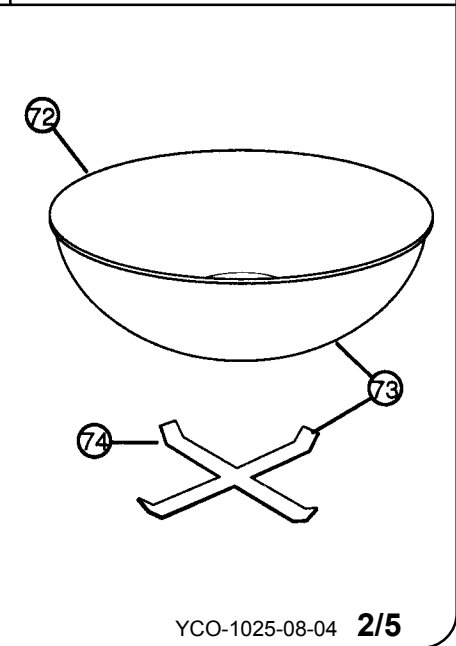
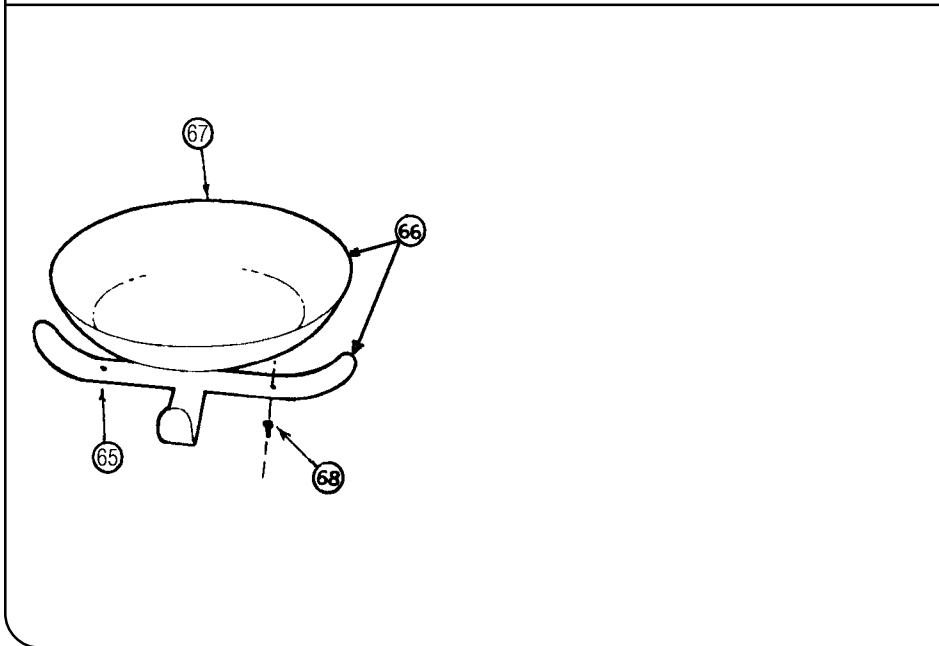
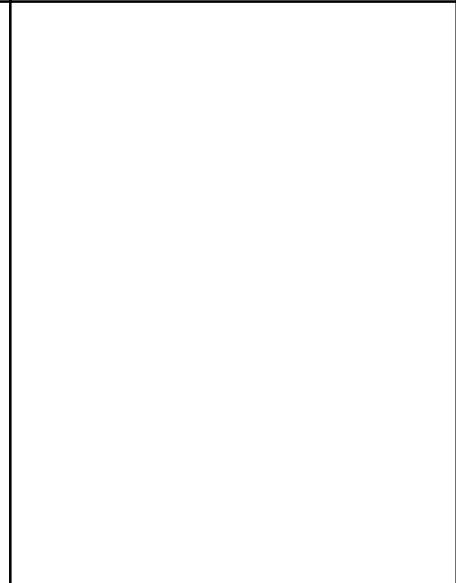
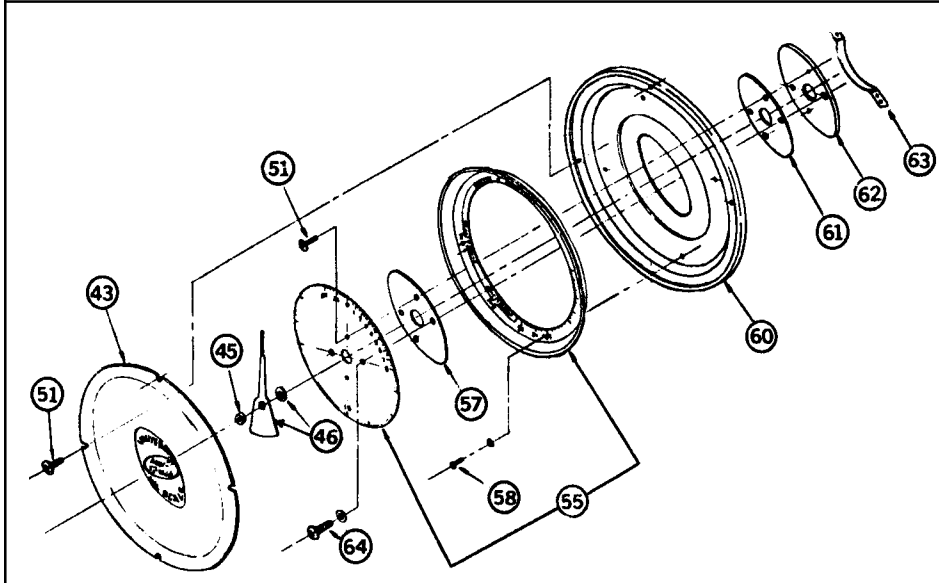
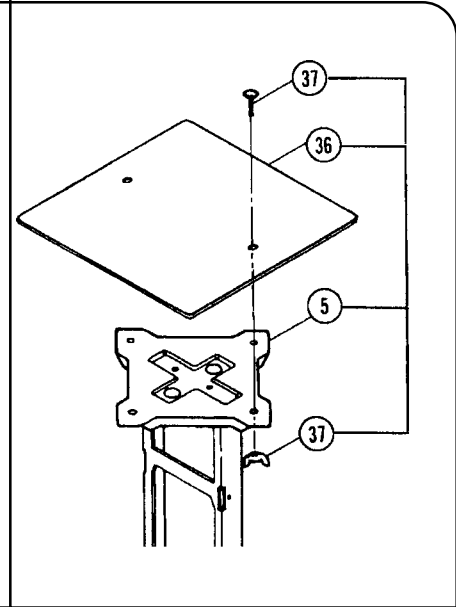
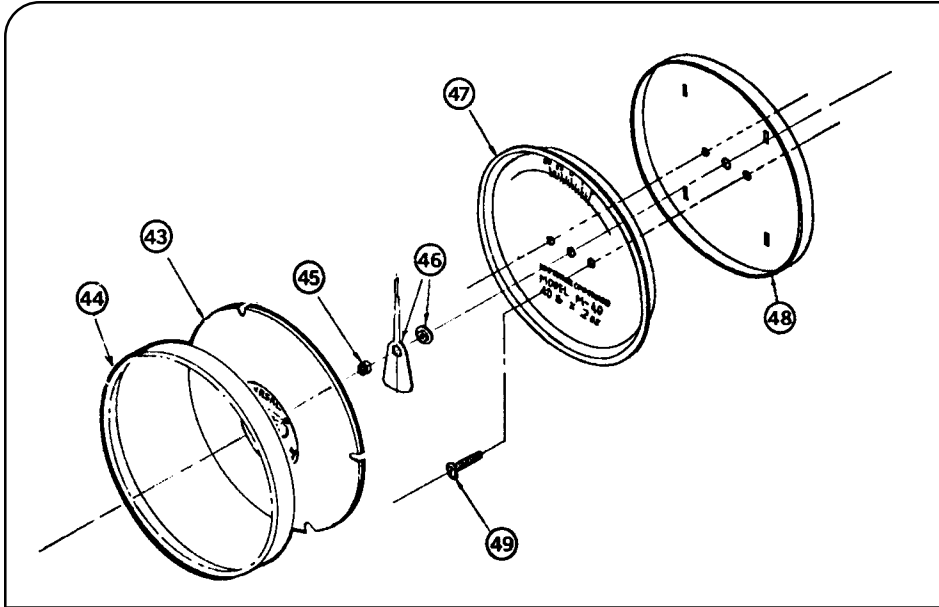
1775 S. Murray Blvd.
 Colorado Springs, CO 80916 USA
 Tel (719) 591-1500 Fax (719) 591-1045

YAMATO TECH CORPORATION

#112-19425 Langley By-Pass
 Surrey, B.C. V3S 6K1 Canada
 Tel (604) 533-2338 Fax (604) 533-0827

Parts List

UNIVERSAL DIAL-Standard



UNIVERSAL DIAL-Standard Parts List

ITEM	PART #	DESCRIPTION	QTY.	UNIT PRICE
1	YAM-1300-980001	Scale housing	1	
	YAM-1300-982001	Scale housing, stainless steel models	1	
2	YAM-1300-980002	Base	1	
	YAM-1300-982002	Base, stainless steel models	1	
	YAM-1300-984002	Base, M-50	1	
3	YAM-1300-980003	Side panel, left	1	
	YAM-1300-982003	Side panel, left, stainless steel models	1	
4	YAM-1300-980004	Side panel, right	1	
	YAM-1300-982004	Side panel, right, stainless steel models	1	
5	YAM-1300-980015	Vertical lever assembly (new style)	1	
	YAM-1300-980800	Circular plate vertical assembly (OUD-180)	1	
	YAM-1300-984005	M-50PK/M-74PK vertical lever assembly	1	
6	YAM-1300-980006	Lever mounting bracket	1	
7	YAM-1300-980007	Horizontal lever	1	
9	YAM-1300-980009	Rack tension spring	1	
10	YAM-1300-980010	Rack lever assembly	1	
11	YAM-1300-980011	Rack guiding bracket assembly	1	
13	YAM-1300-980013	Zero adjusting assembly	1	
	YAM-1300-982013	Zero adjusting assembly, stainless steel models	1	
14	YAM-1300-980014	Zero adjustment knob	1	
18	YAM-1300-980118	Weighing spring, 2 lb, includes calibrator and hanger	1	
	YAM-1300-980318	Weighing spring, 5 lb, includes calibrator and hanger	1	
	YAM-1300-980718	Weighing spring, 800 g, includes calibrator and hanger	1	
	YAM-1300-980418	Weighing spring, 10 lb, includes calibrator and hanger	1	
	YAM-1300-980818	Weighing spring, 4 kg, includes calibrator and hanger	1	
	YAM-1300-980918	Weighing spring, 12 kg, includes calibrator and hanger	1	
	YAM-1300-980518	Weighing spring, 20 lb, includes calibrator and hanger	1	
	YAM-1300-980618	Weighing spring, 40 lb, includes calibrator and hanger	1	
	YAM-1300-981518	Weighing spring, 1 kg, includes calibrator and hanger	1	
	YAM-1300-981318	Weighing spring, 25 lb, includes calibrator and hanger	1	
	YAM-1300-984018	M-50 Weighing spring, includes calibrator and hanger	1	
	22	YAM-1300-980022	Stainless steel fulcrum rod, LONG	1
23	YAM-1300-980023	Rack lever fulcrum rod	1	
24	YAM-1300-980024	Pinion assembly	1	
	YAM-1300-986024	Pinion assembly, CW and BC-10 models	1	
25	YAM-1280-OUD160	Air dashpot assembly (OUD-160)	1	
32	YAM-1300-901577	Mounting screw	1	
	YAM-1300-902579	Mounting screw, stainless steel models	1	
33	YAM-1300-901558	Side panel screw	1	
	YAM-1300-902543	Side panel screw, stainless steel models	1	
35	YAM-1300-982035	Stainless steel snap-on platform	1	
36	YAM-1300-984036	M-50 platform, flat	1	

Parts List

UNIVERSAL DIAL-Standard

ITEM	PART #	DESCRIPTION	QTY.	UNIT PRICE
37	MCH-1300-980038	Screw, nut, washer assembly	2	
43	YAM-1300-980043	Plexiglas dial chart cover	1	
	YAM-1300-984043	M-50 plexiglas dial chart cover	1	
44	YAM-1300-980045	Scroll	1	
	YAM-1300-984044	M-50/M-50pk/M74pk scroll	1	
45	YAM-1300-903500	Indicator lock nut	1	
46	YAM-1300-980046	Indicator	1	
	YAM-1300-984046	M-50PK/M-74PK indicator	1	
47	YAM-1300-980147	M-24 chart (32 oz x 1/4 oz)	1	
	YAM-1300-980148	M-24PK chart (32 oz x 1/4 oz & 900 g x 2 g)	1	
	YAM-1300-980247	M-28 chart (32 oz x 1/8 oz)	1	
	YAM-1300-980248	M-28PK chart (32 oz x 1/8 oz & 900 g x 2 g)	1	
	YAM-1300-980347	M-5 chart (5 lb x 1/2 oz)	1	
	YAM-1300-980348	M-5PK chart (5 lb x 1/2 oz & 2 kg x 10 g)	1	
	YAM-1300-980447	M-10 chart (10 lb x 1 oz)	1	
	YAM-1300-980448	M-10PK chart (10 lb x 1 oz & 4 kg x 20 g)	1	
	YAM-1300-980547	M-20 chart (20 lb x 1 oz)	1	
	YAM-1300-980548	M-20PK chart (20 lb x 1 oz & 9 kg x 50 g)	1	
	YAM-1300-980647	M-40 chart (40 lb x 2 oz)	1	
	YAM-1300-980648	M-40PK chart (40 lb x 2 oz & 18 kg x 50 g)	1	
	YAM-1300-980748	M-54PK chart (50 lb x 4 oz & 22 kg x 100g)	1	
	YAM-1300-980747	M-800 chart (800 g x 1 g)	1	
	YAM-1300-980847	M-410 chart (4 kg x 10 g)	1	
	YAM-1300-980947	M-1250 chart (12 kg x 50 g)	1	
	YAM-1300-981347	M-25PK chart (25 lb x 2 oz)	1	
	YAM-1300-981447	M-25D chart (25 lb x .1 lb)	1	
	YAM-1300-984047	M-50 chart (50 lb x 2 oz)	1	
	YAM-1300-984049	M-50PK chart (50 lb x 2 oz & 22 kg x 50 g)	1	
	YAM-1300-980049	M-74PK chart (70 lb x 4 oz & 30 kg x 100 g)	1	
48	YAM-1300-980048	Dial chart housing	1	
	YAM-1300-982048	Dial chart housing, stainless steel models	1	
	YAM-1300-984048	M-50 dial chart housing	1	
49	MCH-5000-901578	Chart screw	1	
51	MCH-5000-901539	Fixed chart screw, plexiglas cover screw	1	
55	YAM-1300-986155	Rotating and fixed chart set, CW-2/SS	1	
	YAM-1300-986255	Rotating and fixed chart set, CW-5/SS	1	
	YAM-1300-986355	Rotating and fixed chart set, CW-1K/SS	1	
	YAM-1300-986455	Rotating and fixed chart set, BC-10	1	
57	YAM-1300-986057	Top retaining plate	1	
58	YAM-1300-901504	Rotating chart screw	1	
60	YAM-1300-986060	Rotating chart housing	1	

UNIVERSAL DIAL-Standard Parts List

ITEM	PART #	DESCRIPTION	QTY.	UNIT PRICE
61	YAM-1300-986061	Central plate	1	
62	YAM-1300-986062	Bottom retaining plate	1	
63	YAM-1300-986068	Leaf tension spring	1	
64	YAM-1300-901711	Rotating chart assembly screw	1	
65	YAM-1300-980065	Spider for round scoop	1	
66	YAM-1280-LOUD161	Stainless steel round scoop, including spider & screws (OUD-161)	1	
67	YAM-1300-980064	Stainless steel round scoop (OUD-171)	1	
68	MCH-5000-980037	Spider mounting screw	1	
72	TER-1280-001000	Stainless steel bowl, 5 qt. (OUD-170)	1	
73	MFG-1280-LOUD172	Stainless steel bowl, 5 qt, with spider (OUD-172)	1	
74	YAM-1300-980066	Spider, for 5 qt. bowl	1	