

## V3-204 Cut Sheet

One of our most popular product lines, the countertop range is ideal for those servicing high traffic locations with limited available installation space.

Project: \_\_\_\_\_

Item#: \_\_\_\_\_

Quantity: \_\_\_\_\_



### Standard features:

- Compact footprint relative to output
- System can be installed entirely under the counter to resolve space challenges
- Equipped with alarms for CO2 bottle replacement, power and service requirements
- 60 Vivreau designer glass bottles and one wash rack included with each system

### Options & Accessories:

- Custom branding and messaging is available for reusable bottles to convey your commitment to the environment. Multiple bottle styles to choose from.
- Antimicrobial films to be attached on the touch handles.
- Natural and Organic flavor collections available to provide a health-minded alternative to sugary sodas and expensive fruit infused service.

### Ideal for:

Conference & Meeting Facilities, Country Clubs, Healthcare, Higher Education, Hospitality, Parks & Destination, Hotels, Restaurants, Refreshment Services, Senior Dining, Sports and Leisure Facilities

### Average output capacity:

21 gal/80L per hour of chilled still



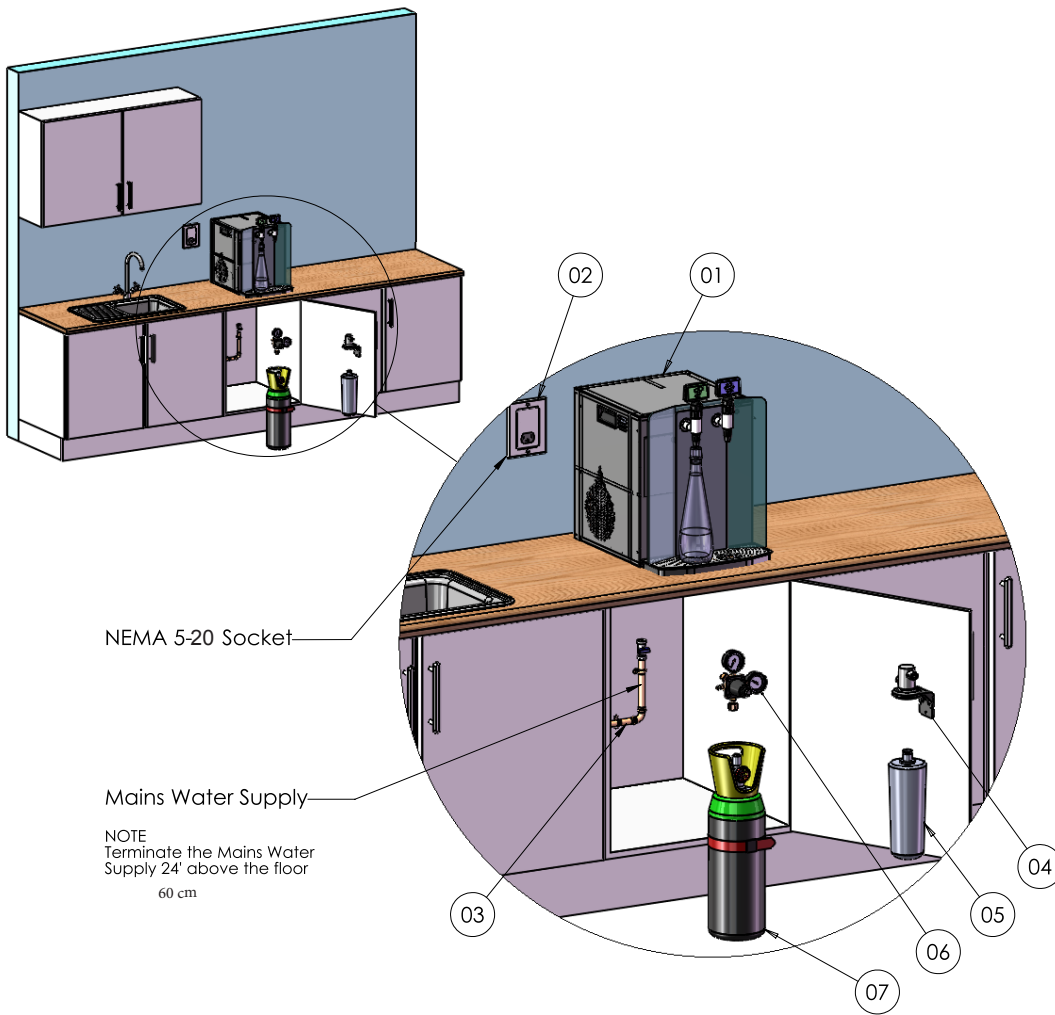
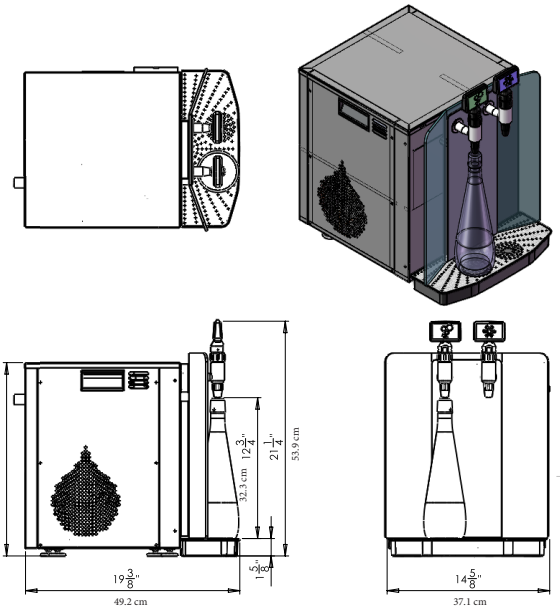
STILL



SPARKLING

Specifications	
Design	Countertop
System dimensions (W X H X D)	14 5/8" X 21 1/4" X 19 3/8" inch   37.1 X 53.9 X 49.2 cm 5" (diam) X 14" (H) inch   12.7 X 35.5 cm (chiller filter)
Fits into base cabinet with the following dimensions (W X H X D)	24" X 29 1/2" X 24" inch   60.9 X 74.9 X 60.9 cm
Weight	73 lbs   33.1 kg 3 lbs   1.3 kg   (chiller filter)
Electrical	
Electrical Requirement	(1) 20amp electrical circuit GFCI recommended (NEMA 5-20R) 120V, 60Hz (8 amps)
CO2	
CO2 (customer supplied)	If connecting to a bulk or existing CO2 system, a CO2 line terminating at a 1/4" (0.6 cm) barbed shutoff valve must be available within 40" (101.6 cm) of the System installation site, 100psi minimum pressure. 20 lbs CO2 cylinder recommended to fit inside cabinet of unit.
Plumbing	
Water connection	1 potable 1/2" (1.2 cm) cold water supply terminating in a 1/2" (1.2 cm) ball valve with a 1/2" (1.2 cm) female pipe thread
Drip tray drain	Customer needs to supply a rigid vertical pipe that drains to a properly trapped drain according to local codes. The vertical pipe for the drip tray drain must be located inside the installation cabinet and must be at least 1 1/4" (2.7 cm) ID.
Minimum water pressure	50 PSI
Minimum water flow	80 Gallons per hour
<b>NOTE:</b> Any incoming water temperature above 60°F (15.5°C) will severely compromise the ability for the system to maintain a cold water supply.	

# Equipment Dimensions



ITEM NO.	DESCRIPTION
01	Over Counter Bottler
02	NEMA 5-20
03	Water Pipe 1/2" Supply
04	Filter Head
05	Filter
06	CO2 Reg
07	CO2 Cylinder

**Consultant specification:**

Vivreau Water Bottling System, mini bottler, dual tap, countertop, self-contained ice-bank refrigeration, advanced micro-filtered, chilled still & sparkling water, filter with filter head, CO2 cylinder (CO2 is customer supplied), CO2 regulator, stainless steel drip tray, removable nozzles, x1 20amp electrical receptacle (5-20 R) 120V 60Hz (8 amps), NEMA 5-20R, ETL, NSF (for indoor use only)