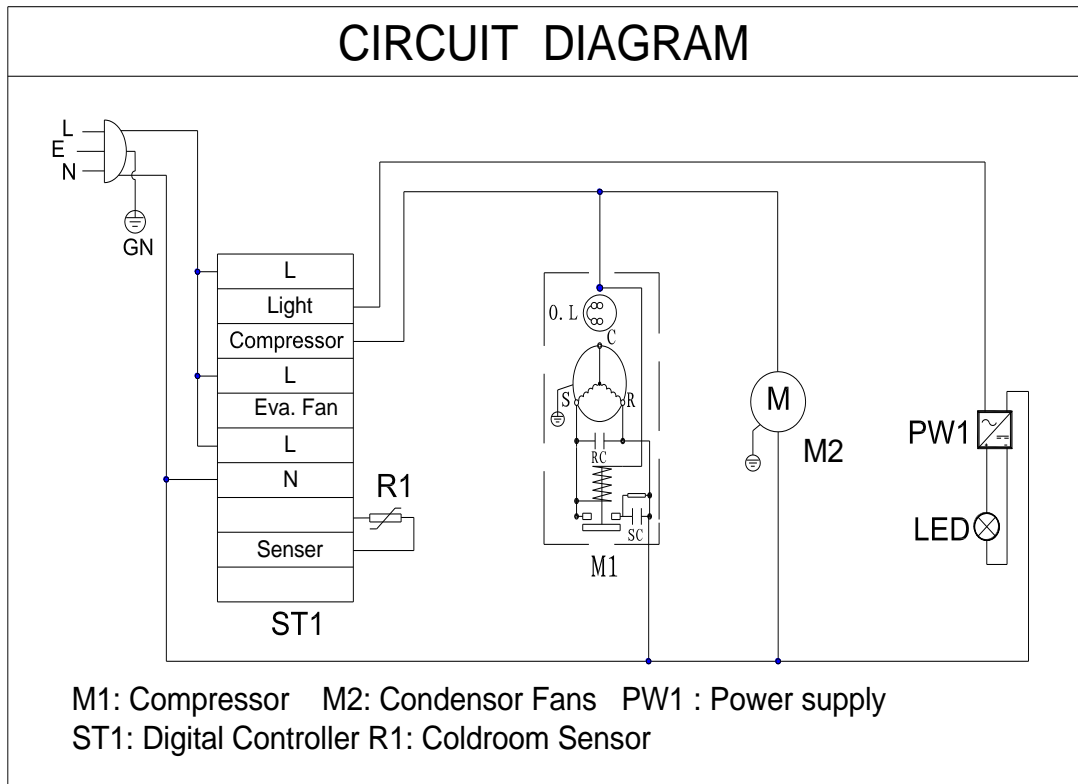


## WD-500Y, WD-700Y Circuit Diagram



Silver waterproof adhesive, thickness  $\geq 0.07$ mm.

Printing specifications are 140\*90mm

The printer model must be printed on the Circuit Diagram