



033648
Brush

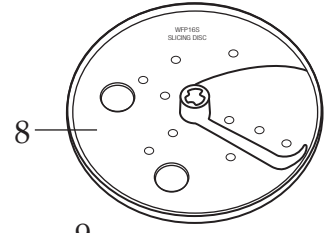
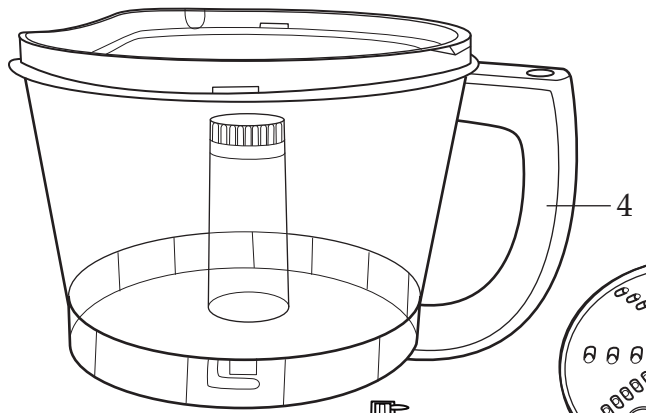
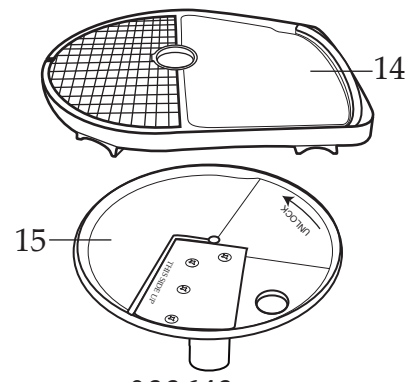
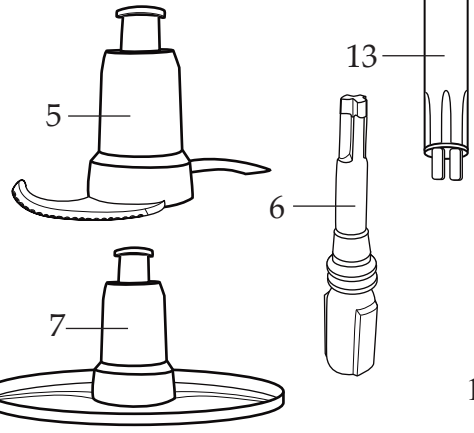
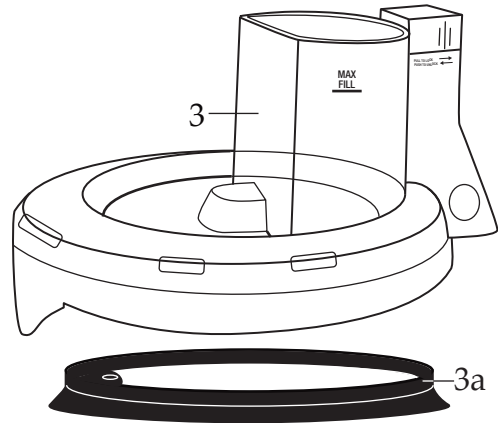
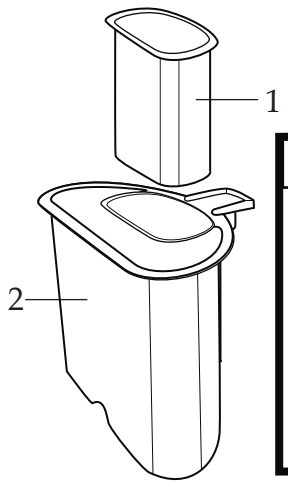
| Unit Information | |
|---|--|
| 120 volts - 60 Hz - Max. 7 Amps | |
| 3 Year Limited Warranty | |
| 5 Year Full Motor Warranty | |
| 4 1/2 Cup, 11 Cup and 14 Cup Work Bowls | |
| 1000 Watt Peak Power Motor | |
| SealTight™ Lid and Blade Assembly | |

4 Qt. Sealed Batch Bowl Food Processor

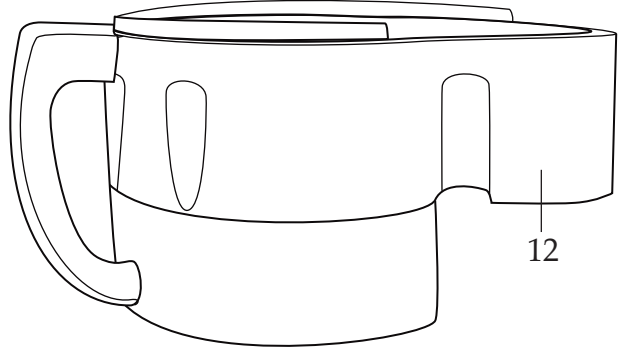
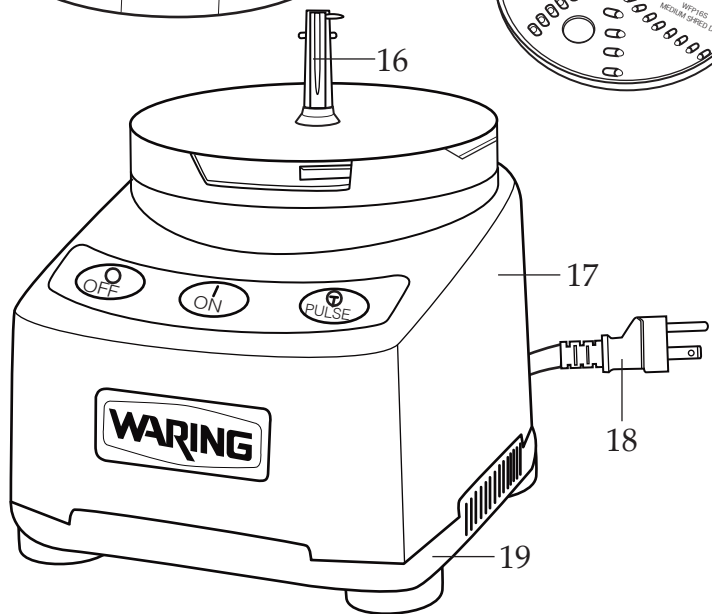
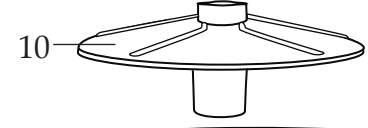
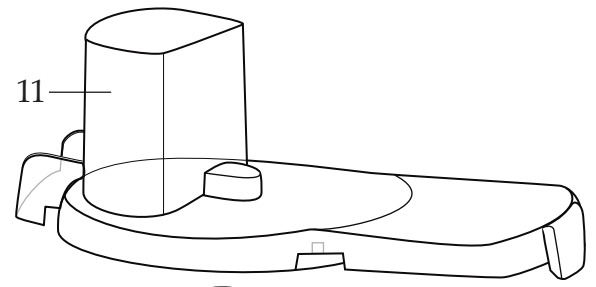
WFP16S

4 Qt. Sealed Batch Bowl and Continuous-Feed Food Processor

WFP16SCD

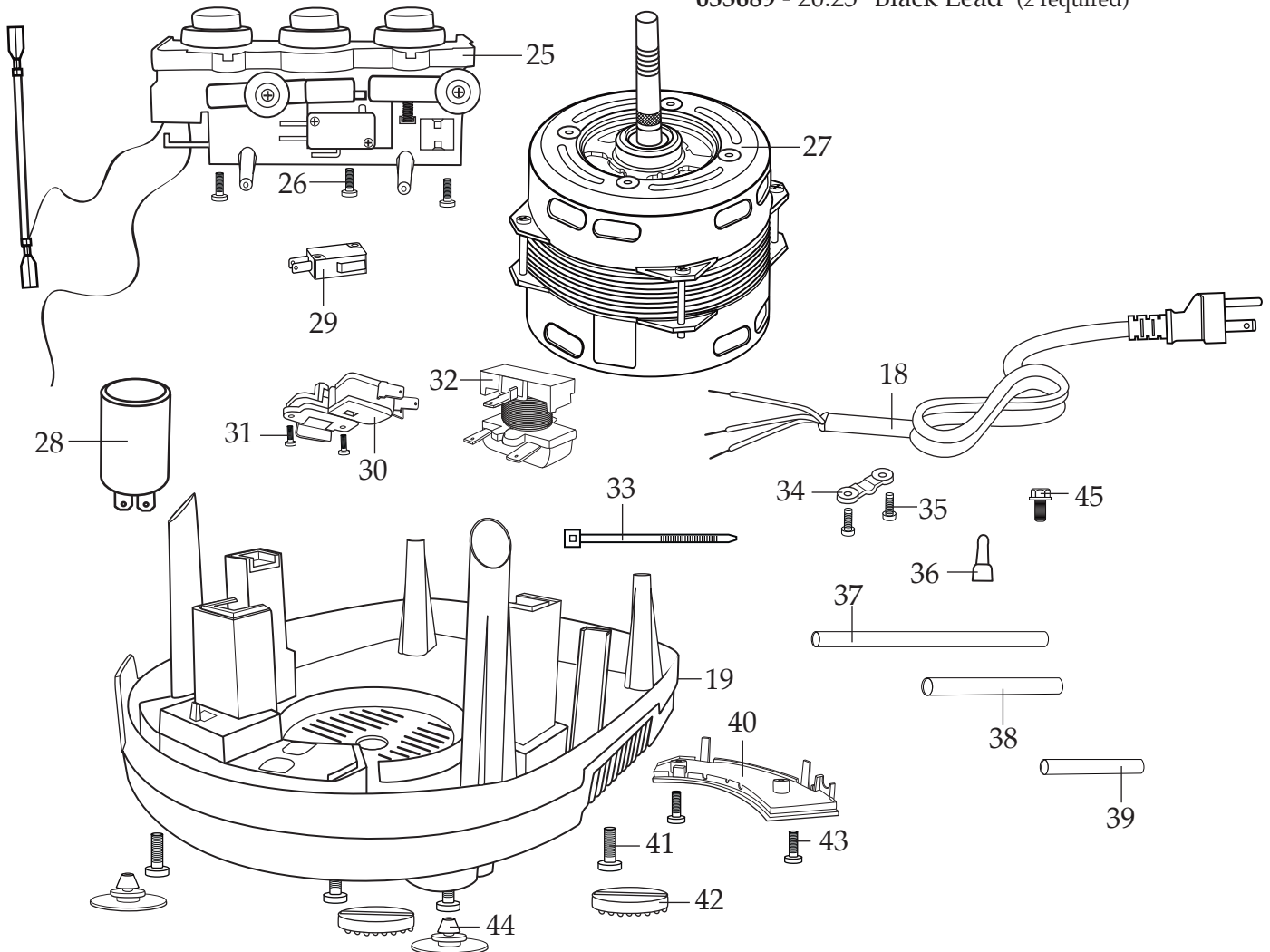
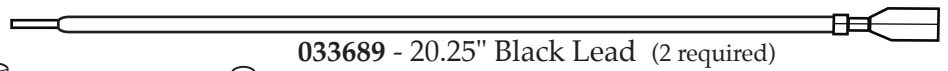
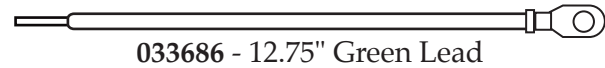
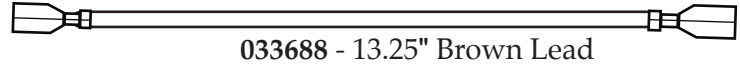
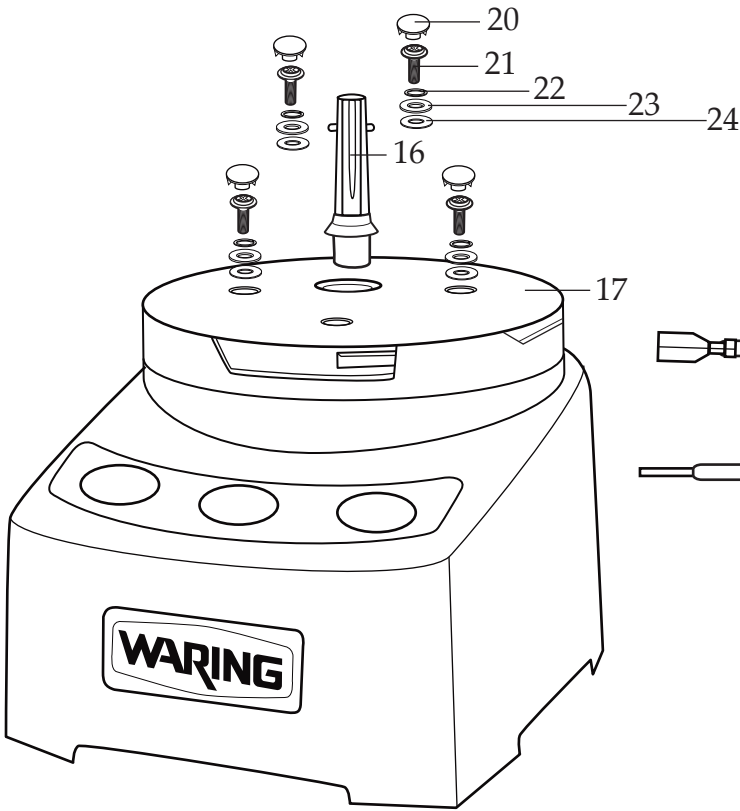


- 033643**
10mm Dicing Assembly (WFP16S13)
- 035682** (after 9/21/2015)
8mm Dicing Assembly (WFP16S25)
- 035683** (after 9/21/2015)
10mm Dicing Assembly (WFP16S26)
- 035684** (after 9/21/2015)
12mm Dicing Assembly (WFP16S27)



WARING
COMMERCIAL

WFP16S
WFP16SCD



Catalog/Model

WFP16S
WFP16SCD



| Illustration # | Part # | Description |
|----------------|--------|--|
| 1 | 033637 | Small Pusher |
| 2 | 033692 | Large Pusher |
| 3 | 033693 | Batch Bowl Cover |
| 3a | 035672 | Lid Gasket <i>(after 9/21/2015)</i> |
| 4 | 033632 | Batch Bowl |
| 5 | 033631 | S Blade (comes with WFP16S and WFG16SCD) |
| 6 | 033639 | Disc Stem |
| 7 | 033641 | Sealed Whipping Disc (comes with WFP16S and WFP16SCD) |
| 8 | 033640 | Adjustable Slicing Disc (comes with WFP16S and WFP16SCD) |
| 9 | 033642 | Reversible Shredding Disc (comes with WFP16S and WFP16SCD) |
| 10 | 033638 | Slinger |
| 11 | 034610 | Continuous-Feed Cover |
| 12 | 034609 | Continuous-Feed Chute |
| 13 | 027166 | Dicing Cleaning Tool |
| 14 | 035674 | 8mm - 5/16" Dicing Grid ONLY <i>(after 9/21/2015)</i> |
| | 035677 | 10mm - 3/8" Dicing Grid ONLY <i>(after 9/21/2015 comes with WFP16SCD)</i> |
| | 033649 | 10mm - 3/8" Dicing Grid ONLY (comes with WFP16SCD) |
| | 035680 | 12mm - 15/32" Dicing Grid ONLY <i>(after 9/21/2015)</i> |
| 15 | 035673 | 8mm - 5/16" Slicing Disc ONLY <i>(after 9/21/2015)</i> |
| | 035676 | 10mm - 3/8" Slicing Disc ONLY <i>(after 9/21/2015 comes with WFP16SCD)</i> |
| | 033650 | 10mm - 3/8" Slicing Disc ONLY (comes with WFP16SCD) |
| | 035679 | 12mm - 15/32" Slicing Disc ONLY <i>(after 9/21/2015)</i> |
| 16 | 033658 | Motor Sheath with Shaft Cover |
| 17 | 033673 | Top Housing Assembly |
| 18 | 024782 | Cord |
| 19 | 033651 | Bottom Housing with Rubber Mounts |
| 20 | 033674 | Hole Plugs (4 required) |
| 21 | 033676 | Sems (4 required) |
| 22 | 033677 | Spring Washer (4 required) |
| 23 | 024757 | Washer (4 required) |
| 24 | 024759 | Washer (4 required) |
| 25 | 033684 | Main Switch Holder Assembly w/Switch (033659) |
| 26 | 033660 | Screw (3 required) |

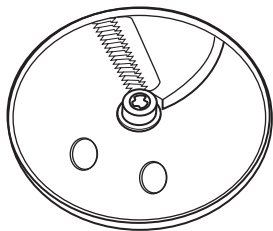
Catalog/Model

WFP16S
WFP16SCD

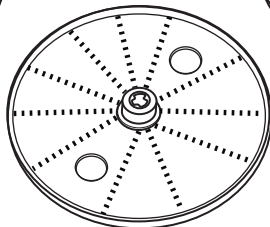
Waring Factory Service Center
314 Ella T. Grasso Ave.
Torrington, CT 06790
Tele. 1-800-269-6640

COMMERCIAL
Fax 860-496-9017
www.waringcommercialproducts.com

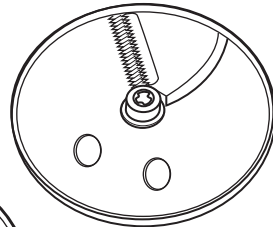
| Illustration # | Part # | Description |
|----------------|--------|---|
| 27 | 033657 | Motor with Fan |
| 28 | 033661 | Start Capacitor |
| 29 | 033659 | Switch (for batch bowl) |
| 30 | 033665 | Switch with Holder (for continuous-feed bowl) |
| 31 | 033660 | Screw (2 required) |
| 32 | 033662 | Relay |
| 33 | 013731 | Wire Ties (7 required) |
| 34 | 033666 | Cord Clamp |
| 35 | 033654 | Screw (2 required) |
| 36 | 012409 | Crimp Connector (4 required) |
| 37 | 033678 | 5.5" Rubber Sleeve (2 required) |
| 38 | 033690 | 3.125" Rubber Sleeve (2 required) |
| 39 | 033691 | 2" Rubber Sleeve |
| 40 | 033652 | Lower Housing Cover |
| 41 | 033653 | Screw (4 required) |
| 42 | 033655 | Front Foot (2 required) |
| 43 | 001843 | Screw (2 required) |
| 44 | 033656 | Back Foot (2 required) |
| 45 | 033675 | Bolt for ground leads |



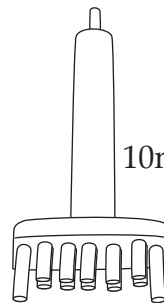
033645
French Fry Disc
(WFP16S15)



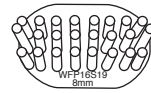
033646
Grating Disc
(WFP16S16)



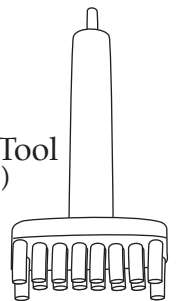
033644
Julienne Disc
(WFP16S14)



035678
10mm Punch Tool
(WFP16S20)



035675
8mm Punch Tool
(WFP16S19)



035681
12mm Punch Tool
(WFP16S21)

