

Unit Information

240 Volts – 60 Hz – 3200 Watts

Oven Capacity H=4" x W=18.25" x D=18.25"

Outside Dimensions H=25" x W=27" x D=28"

30-Minute Timer

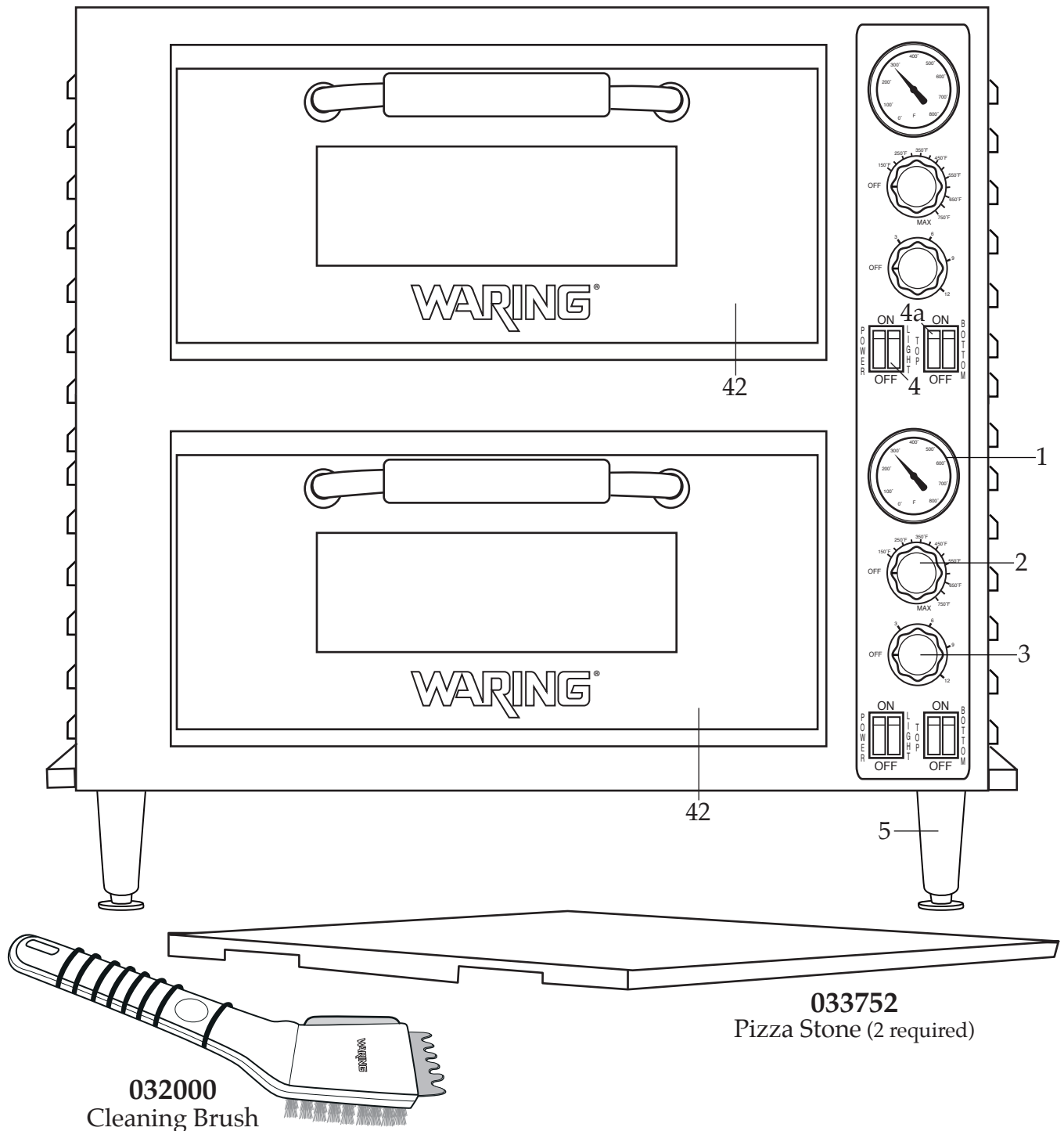
Two independent chambers with their own deck controls can operate at different temperatures simultaneously.

Replacing Bulb - Do Not touch with bare hands (this will reduce lifespan) use a clean tissue or cloth glove to position new bulb carefully and push in to engage.

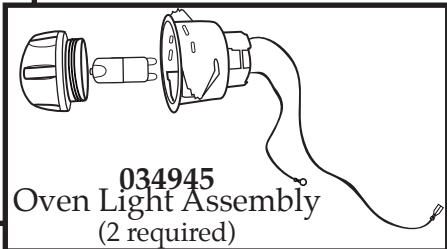
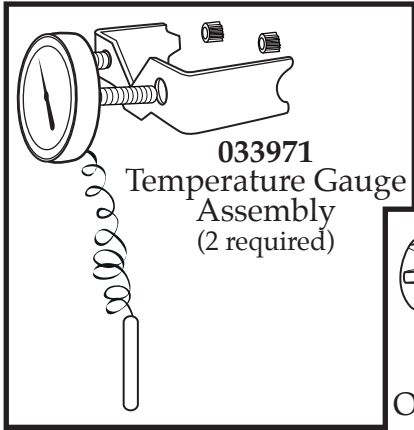
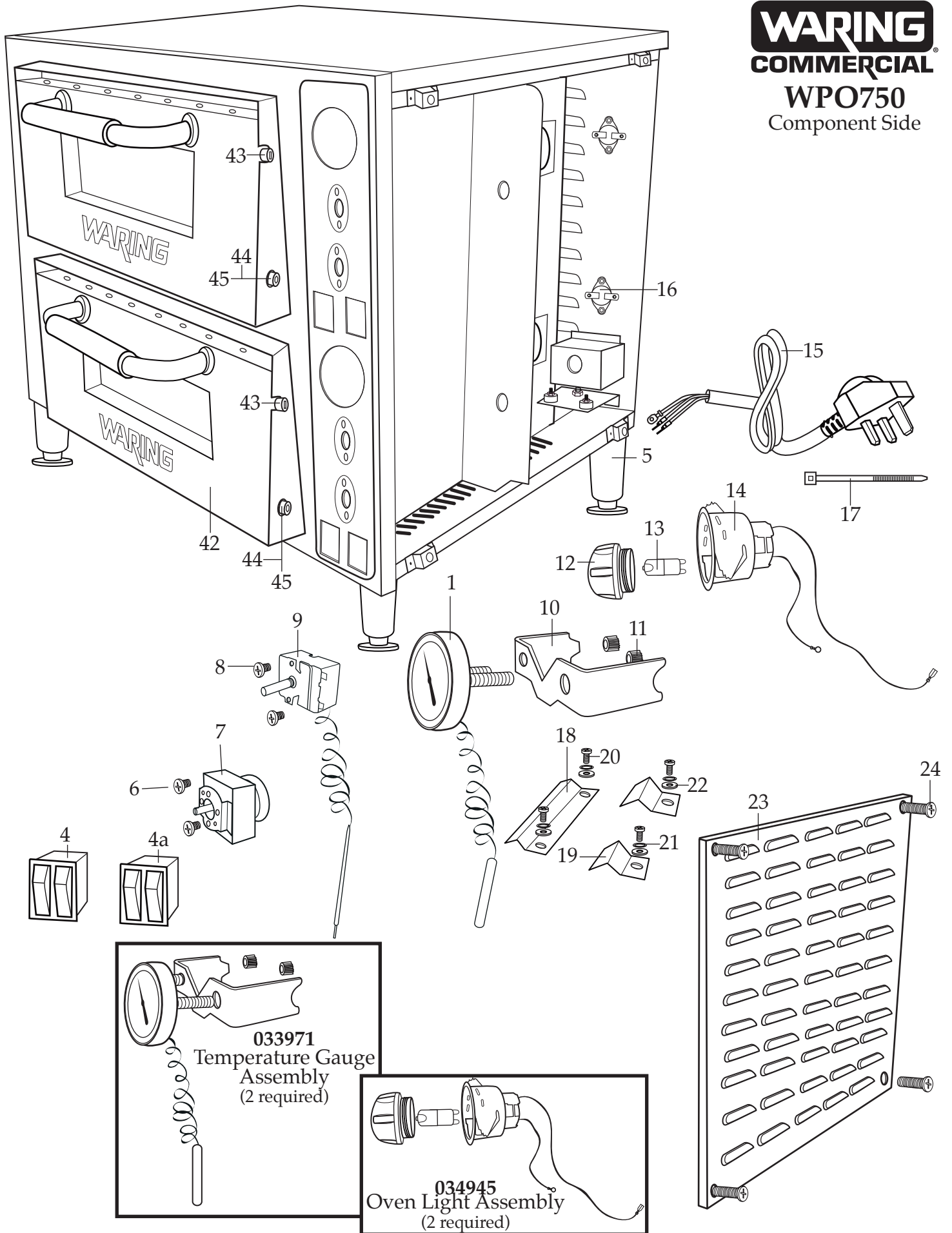
WARING COMMERCIAL®

Double Deck Pizza Oven (double door)

WPO750



WARING
COMMERCIAL
WPO750
 Component Side



WARING
COMMERCIAL
WPO750
 Element Side

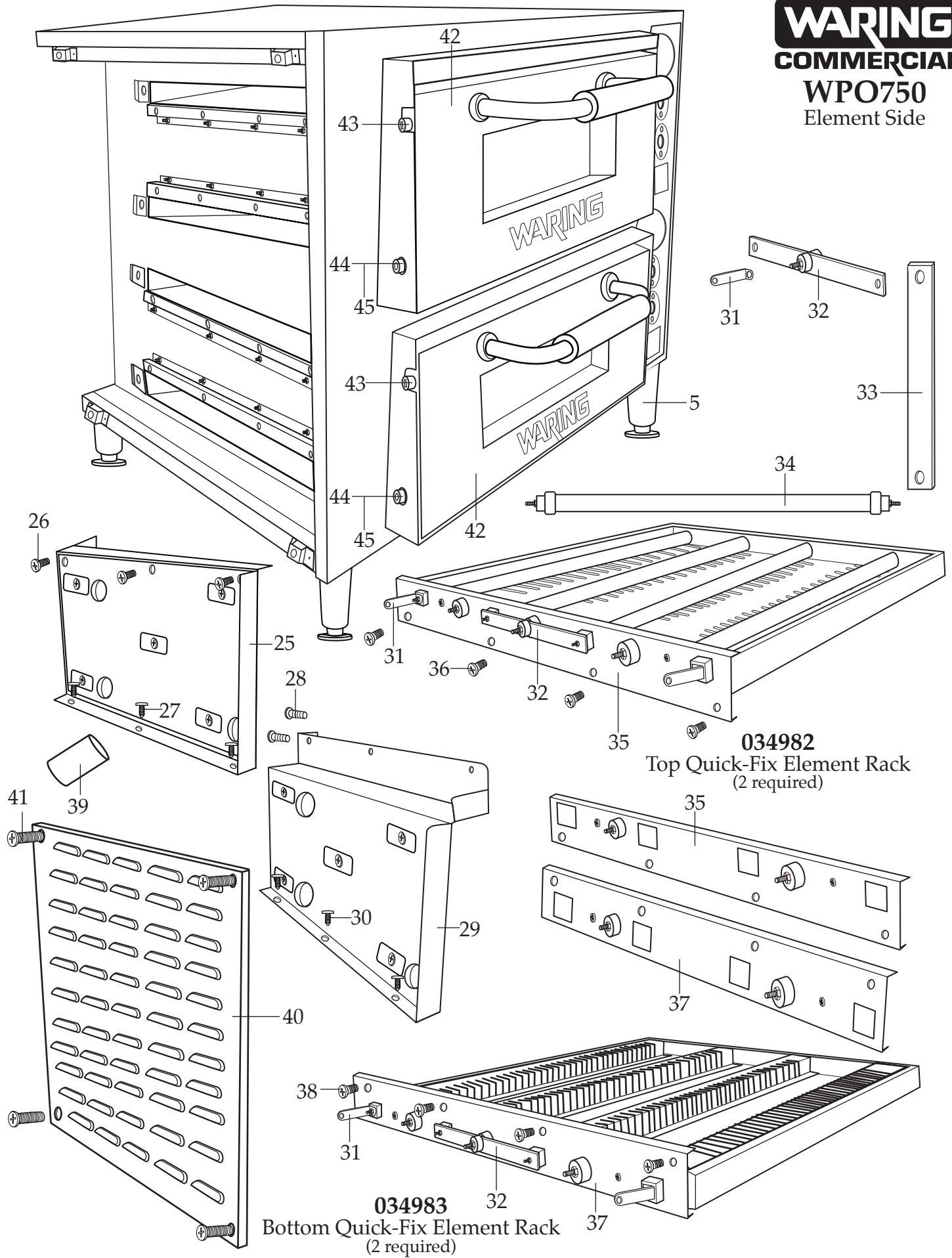


Illustration #	Part #	Description
1	033753	Temperature Gauge (2 required)
2	028626	Temperature Knob with Screws (2 required)
3	028626	Timer Knob with Set Screws (2 required)
4	034946	Double Power/Light Switch (2 required)
4a	034947	Double On-Off Switch (2 required)
5	033755	Foot (4 required)
6	029943	Screw (2 required for each timer)
7	033764	Timer (2 required)
8	029943	Screw (2 required for each thermostat)
9	034948	Thermostat (2 required)
10	033766	Temperature Gauge Bracket (2 required)
11	033767	Thumb Screw (2 required for each temperature gauge)
12	033768	Oven Light Lens (2 required)
13	035605	Bulb-Rated 230V/25W (2 required)
14	034949	Lamp Holder (2 required)
15	034957	Cord (240 volt)
16	033756	Thermal Cut-off (2 required)
17	013731	Wire Tie (17 required)
18	034979	Thermostat Probe Bracket (2 required)
19	034980	Temperature Gauge Probe Bracket (2 required for each oven)
20	033760	Screw (4 required for each set of brackets)
21	033761	Spring Washer (4 required for each set of brackets)
22	033762	Washer (4 required for each set of brackets)
23	034977	Component Right Side Panel
24	033771	Screw (4 required)
25	034984	Top Insulation Plate Assembly
27	033776	Screw (3 required)
27	033785	Screw (3 required)

Illustration #	Part #	Description
28	033776	Screw (2 required)
29	034985	Bottom Insulation Plate Assembly
30	033785	Screw (3 required)
31	034962	Angled End Element Bracket (6 required)
32	034963	Element Support Bracket Assembly (3 required on each rack)
33	034961	Straight Support Bracket (2 required)
34	034981	Element Assembly (4 required each quick-fix rack)
35	034964	Top Element Rack Front Panel (2 required)
36	033779	Screw (5 required on each rack)
37	034965	Bottom Element Rack Front Panel (2 required)
38	033779	Screw (5 required on each rack)
39	033786	Ceramic Sleeve (6 required)
40	034978	Element Left Side Panel
41	033771	Screw (4 required)
42	035346	Door Assembly (2 required)
43	035349	Slotted Bolt (4 required one each side of each door assembly)
44	035351	Washer (4 required one each side of each door assembly)
45	035350	Allen Bolt (4 required one each side of each door assembly)