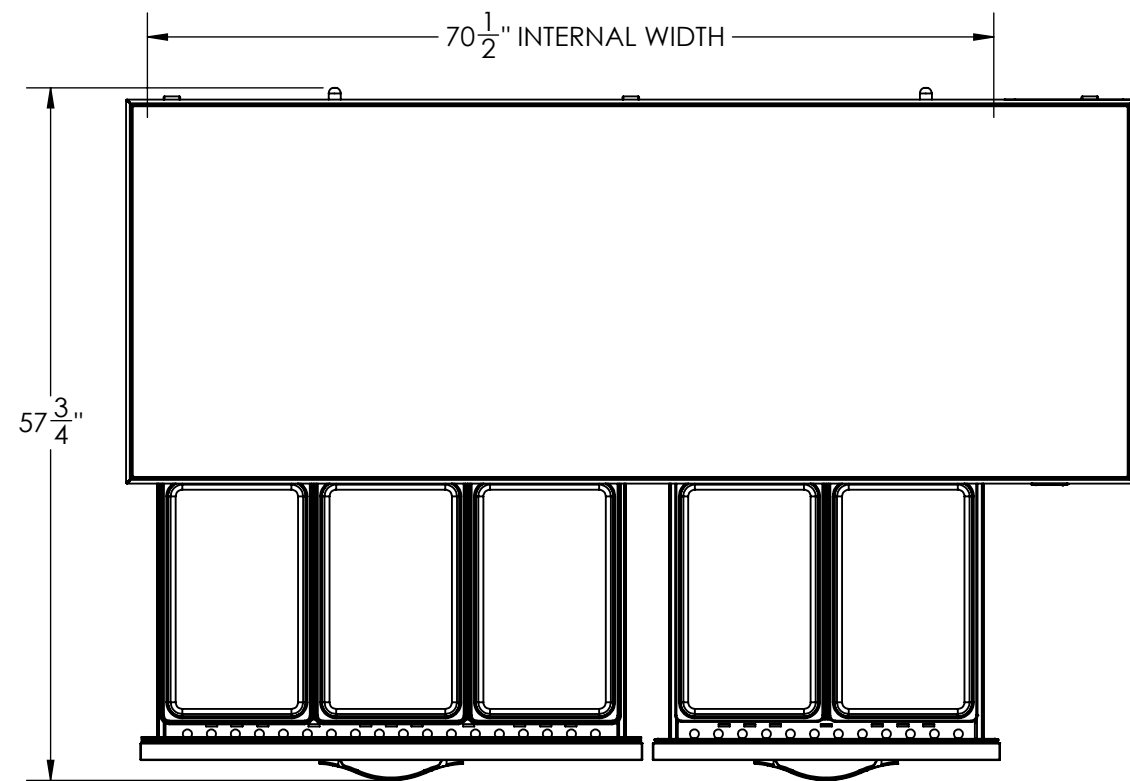
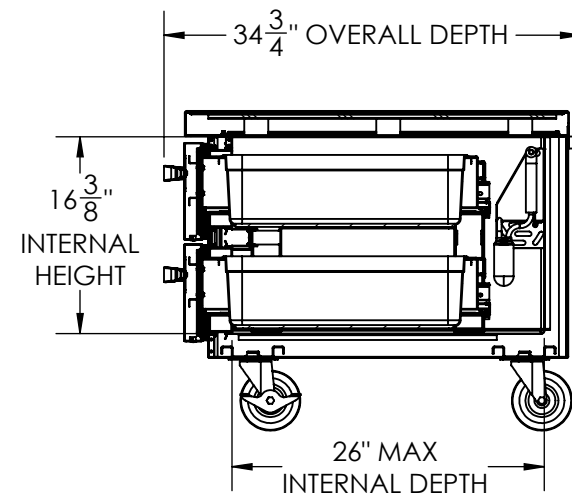
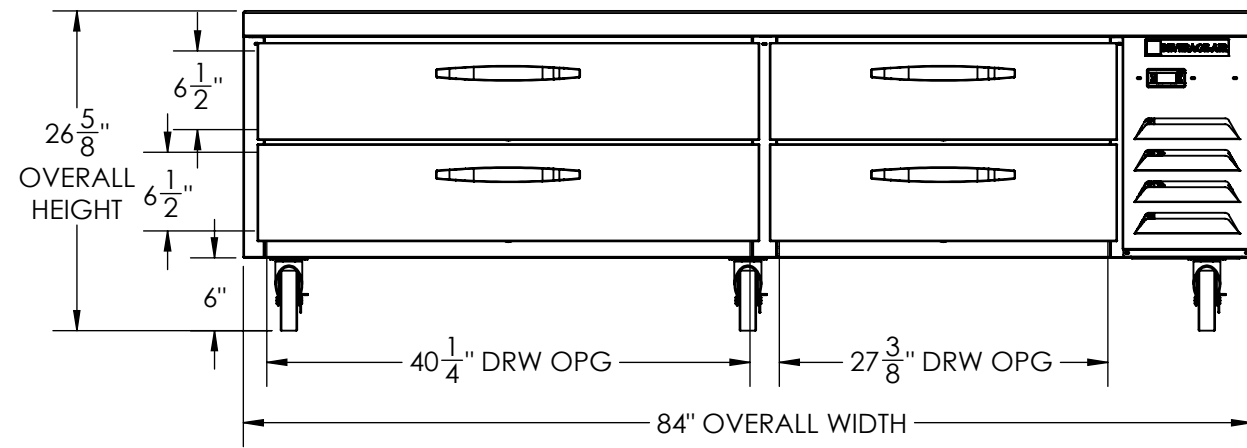



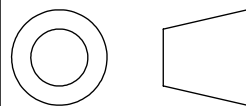
8 7 6 5 4 3 2 1

D  
C  
B  
A

D  
C  
B  
A



8 7 6 5 4 3 2 1

THIRD ANGLE PROJECTION	UNLESS OTHERWISE SPECIFIED:  DIMENSIONS ARE IN INCHES TOLERANCES: ANGULAR: ± 2° ONE PLACE DECIMAL ± .060 TWO PLACE DECIMAL ± .030 THREE PLACE DECIMAL ± .010	NAME	DATE	 <b>BEVERAGE-AIR</b> BROOKVILLE, PA WINSTON-SALEM, NC beverage-air.com		
		DRAWN	AMK 02/05/18			
 COMMENTS:	<b>PROPRIETARY AND CONFIDENTIAL</b> THE INFORMATION CONTAINED IN THIS DRAWING IS THE SOLE PROPERTY OF BEVERAGE-AIR CORPORATION. ANY REPRODUCTION IN PART OR AS A WHOLE WITHOUT THE WRITTEN PERMISSION OF BEVERAGE-AIR CORPORATION IS PROHIBITED.	CHECKED		TITLE:		
		ENG APPR.		SIZE	DWG. NO.	REV
		MFG APPR.		<b>B</b>	WTRCS84D	
		Q.A.		SCALE: 1:16	WEIGHT:	SHEET 1 OF 1
		MODEL	SP100			