

\* ALL ALARMS EXCEPT:  
MODULARM 75 LC AND WEISS ALARMPAK  
(SEE SEPARATE DIAGRAM)

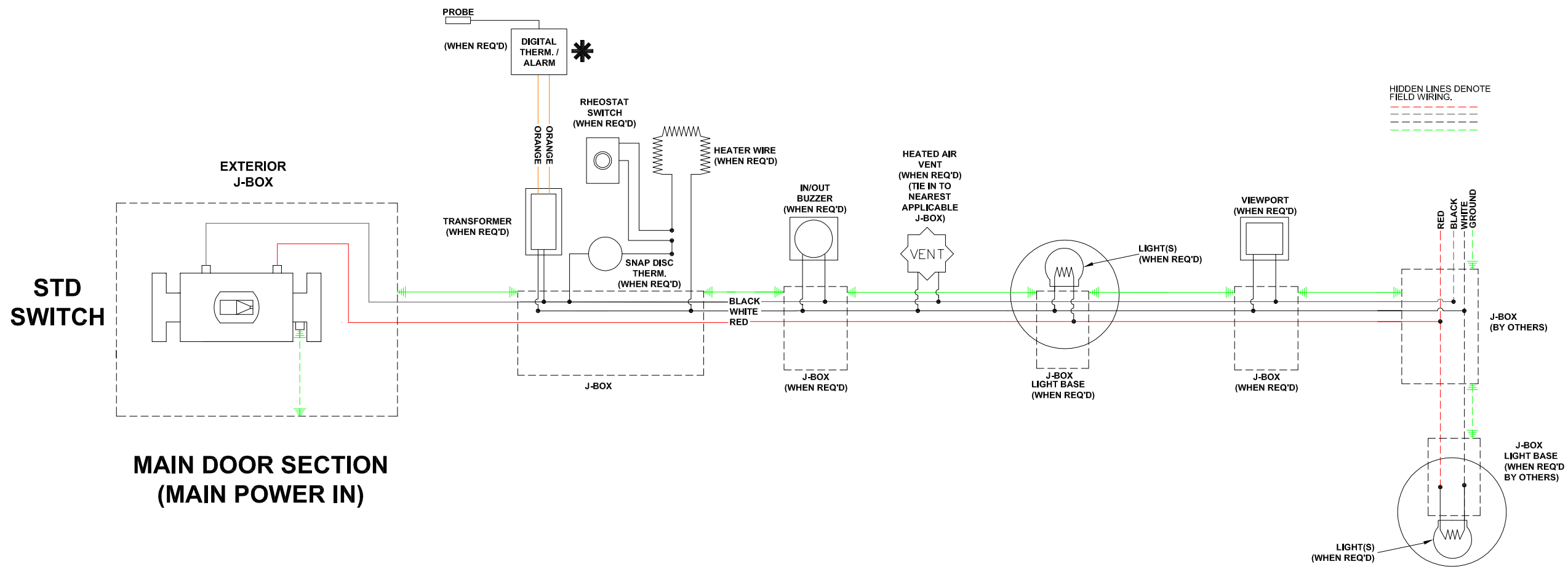
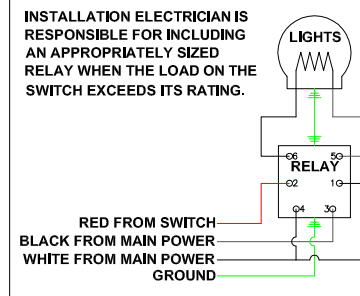
DATE	REVISION RECORD	AUTH	DR	CK

SCALE: NONE		DEALER:	DRAWN BY: SCG
DATE: 4/25/2014			REVISED
			ORDER No.
			DRAWING NUMBER
			500000900

WIRING DIAGRAM, SINGLE DOOR TOGGLE SWITCH

**WELBILT**  
Bringing innovation to the table

PARSONS  
TENNESSEE



\* ALL ALARMS EXCEPT:  
MODULARM 75 LC AND WEISS ALARMPAK  
(SEE SEPARATE DIAGRAM)

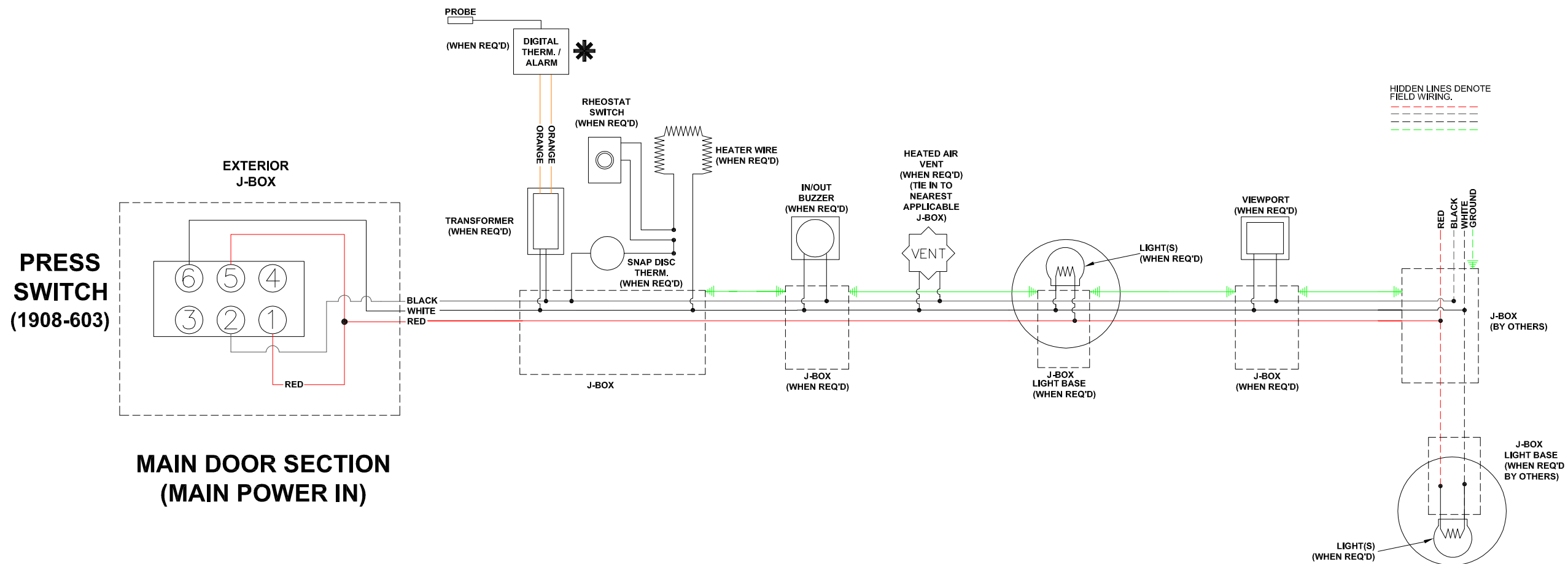
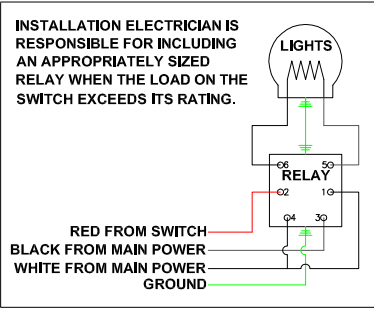
DATE	REVISION RECORD	AUTH	DR	CK	SCALE: NONE	DEALER:	DRAWN BY: TM
					DATE: 4/25/2014		REVISED
							ORDER No.
							DRAWING NUMBER

**WIRING DIAGRAM, SINGLE DOOR  
240V TOGGLE SWITCH**

**WELBILT**  
Bringing innovation to the table

PARSONS  
TENNESSEE

500000899



\* ALL ALARMS EXCEPT:  
MODULARM 75 LC AND WEISS ALARMPAK  
(SEE SEPARATE DIAGRAM)

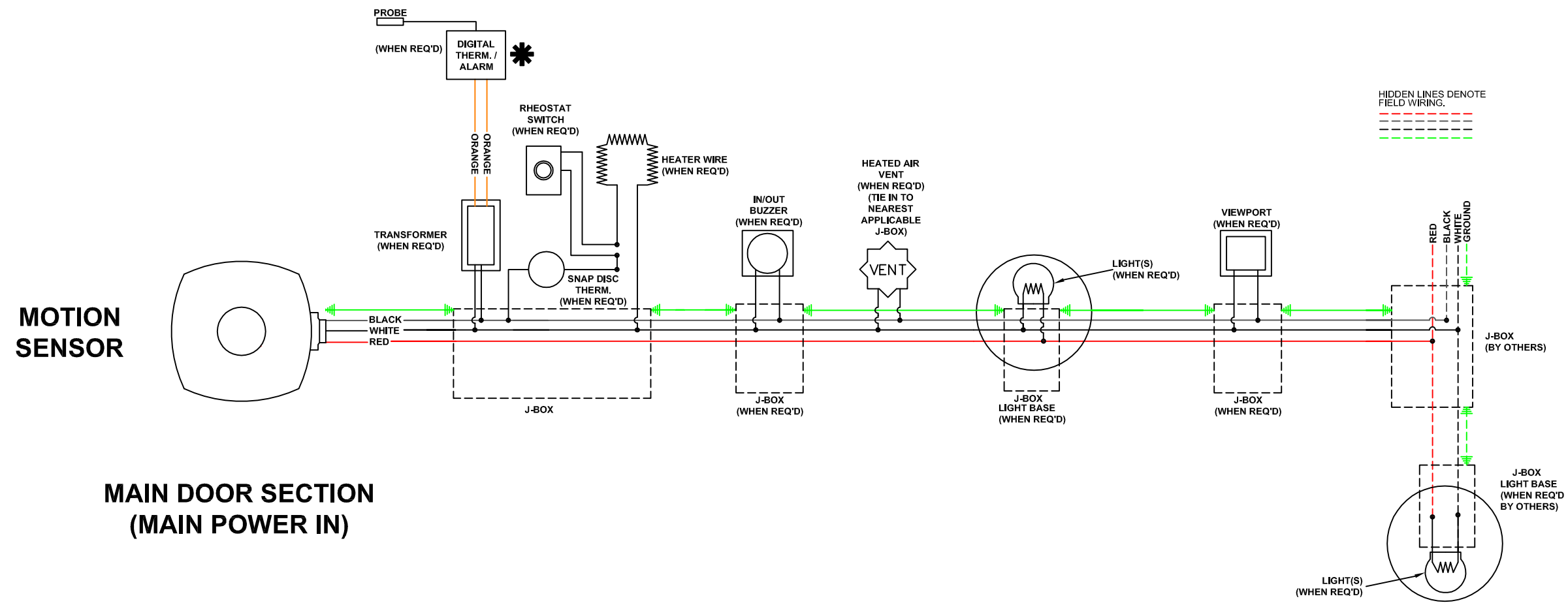
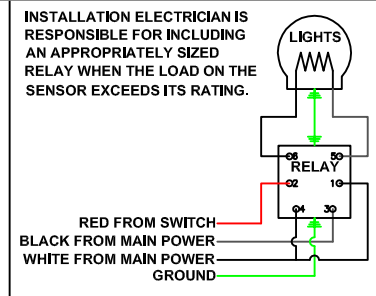
DATE	REVISION RECORD	AUTH	DR	CK	SCALE: NONE	DEALER:	DRAWN BY: SCG
					DATE: 4/25/2014		REVISED
							ORDER No.
							DRAWING NUMBER

**WIRING DIAGRAM, SINGLE DOOR PRESS SWITCH**

**WELBILT**  
Bringing innovation to the table

PARSONS  
TENNESSEE

500000901

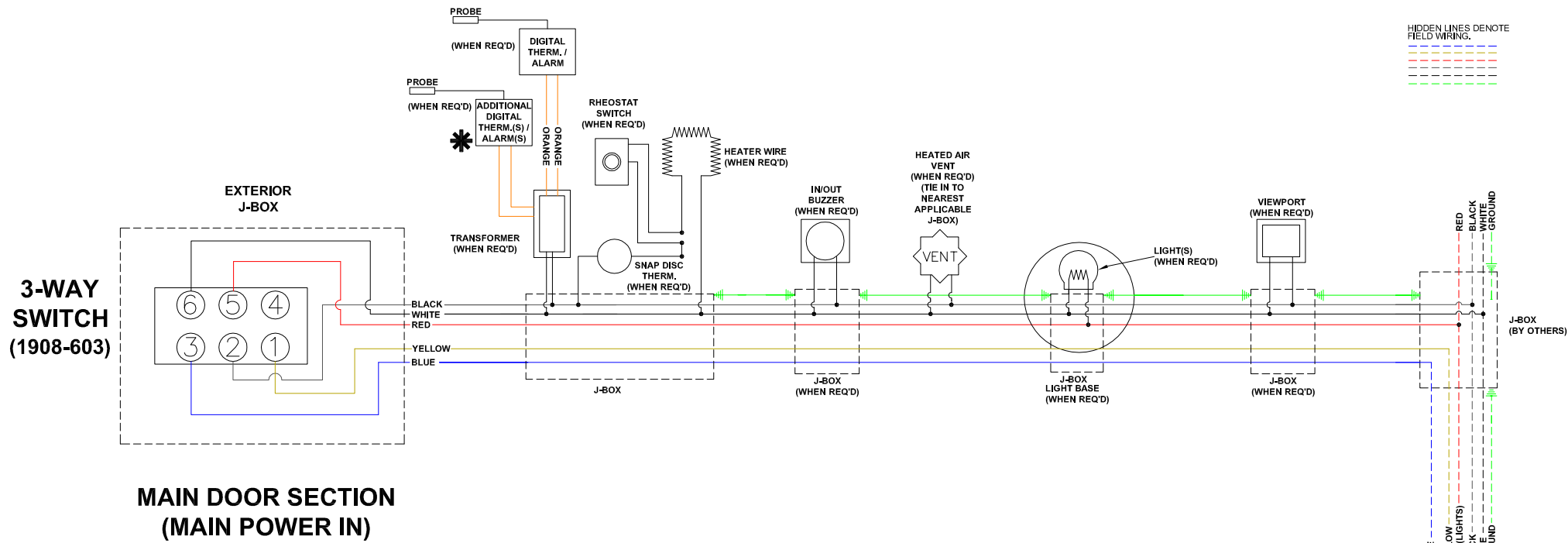
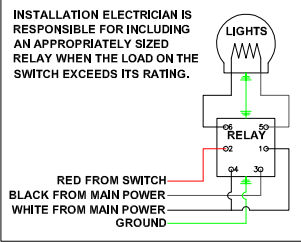


\* ALL ALARMS EXCEPT:  
MODULARM 75 LC AND WEISS ALARMPAK  
(SEE SEPARATE DIAGRAM)

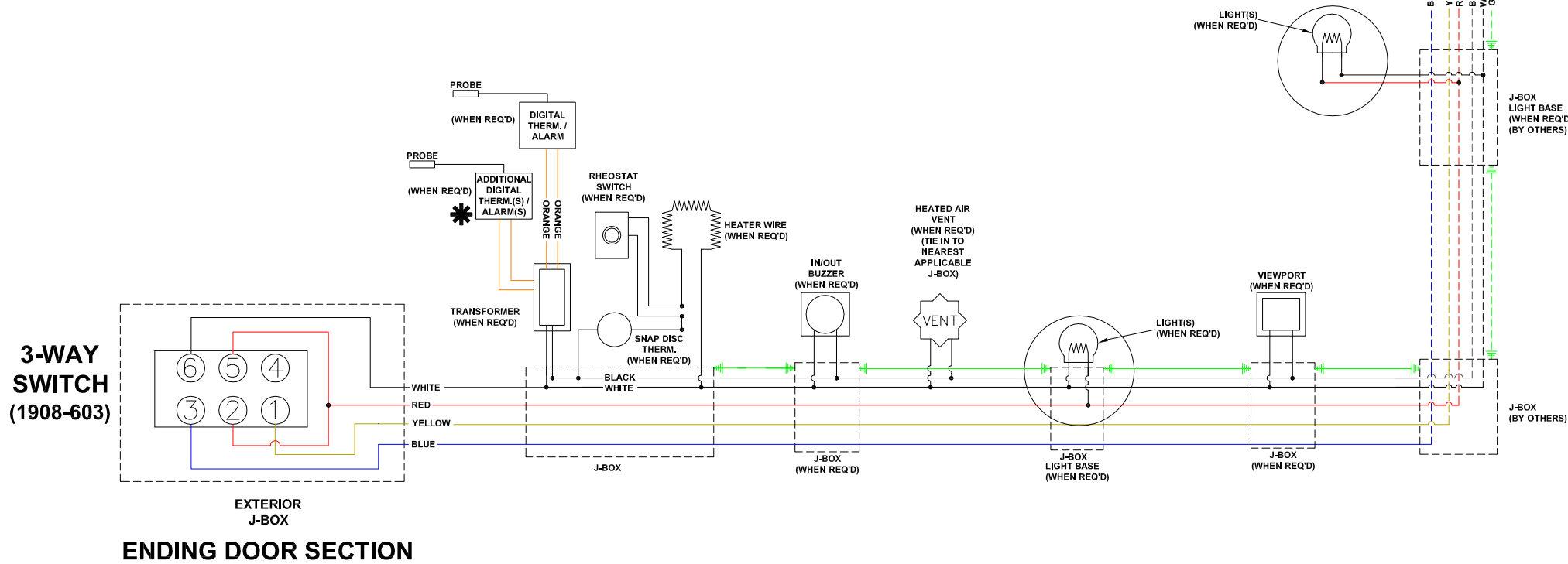
DATE	REVISION RECORD	AUTH	DR	CK	SCALE: NONE	DEALER:	DRAWN BY: TM
					DATE: 10/2/2015		REVISED
							ORDER No.
							DRAWING NUMBER

**WIRING DIAGRAM, 1901 MOTION SENSOR DOOR**

**PARSONS TENNESSEE** **500000898**



**NOTE: MAIN DOOR SECTION HAS MAIN POWER. ENDING DOOR SECTION GET POWER FROM MAIN DOOR SECTION.**



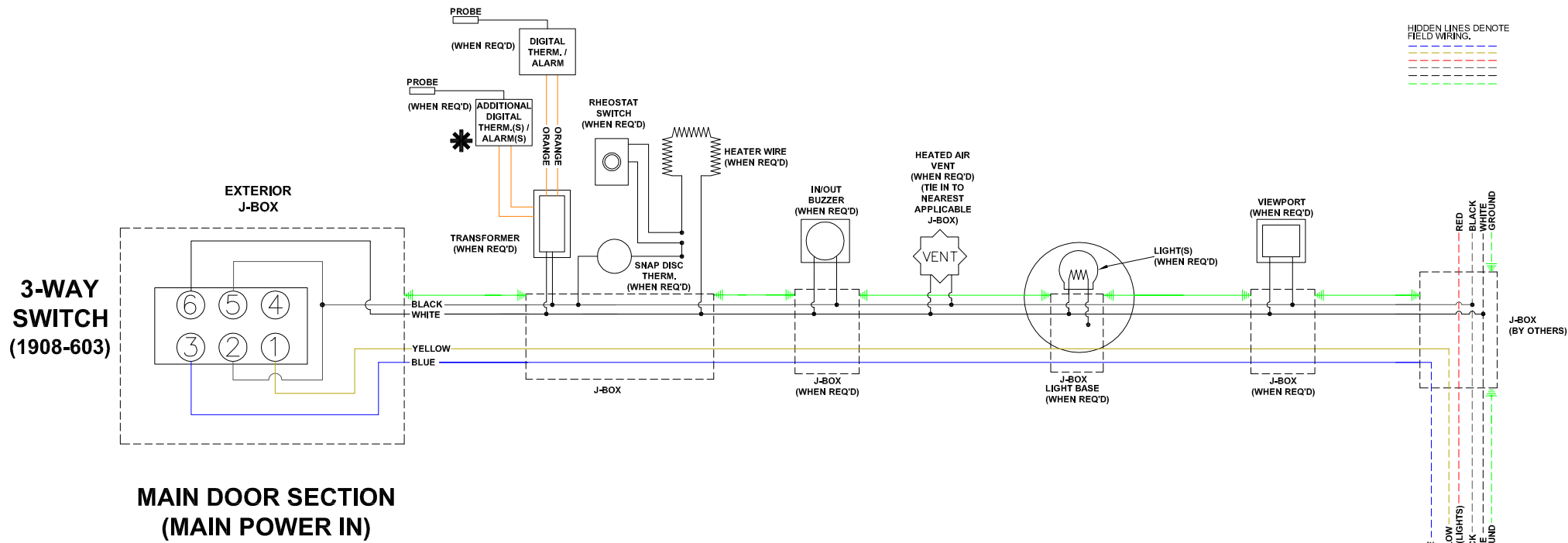
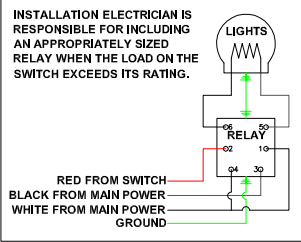
- \* TO BE PLACED IN ADDITIONAL J-BOX.
- \* ALL ALARMS EXCEPT:  
MODULARM 75 LC AND WEISS ALARMPAK  
(SEE SEPARATE DIAGRAM)

WIRING DIAGRAM, 3-WAY SWITCH

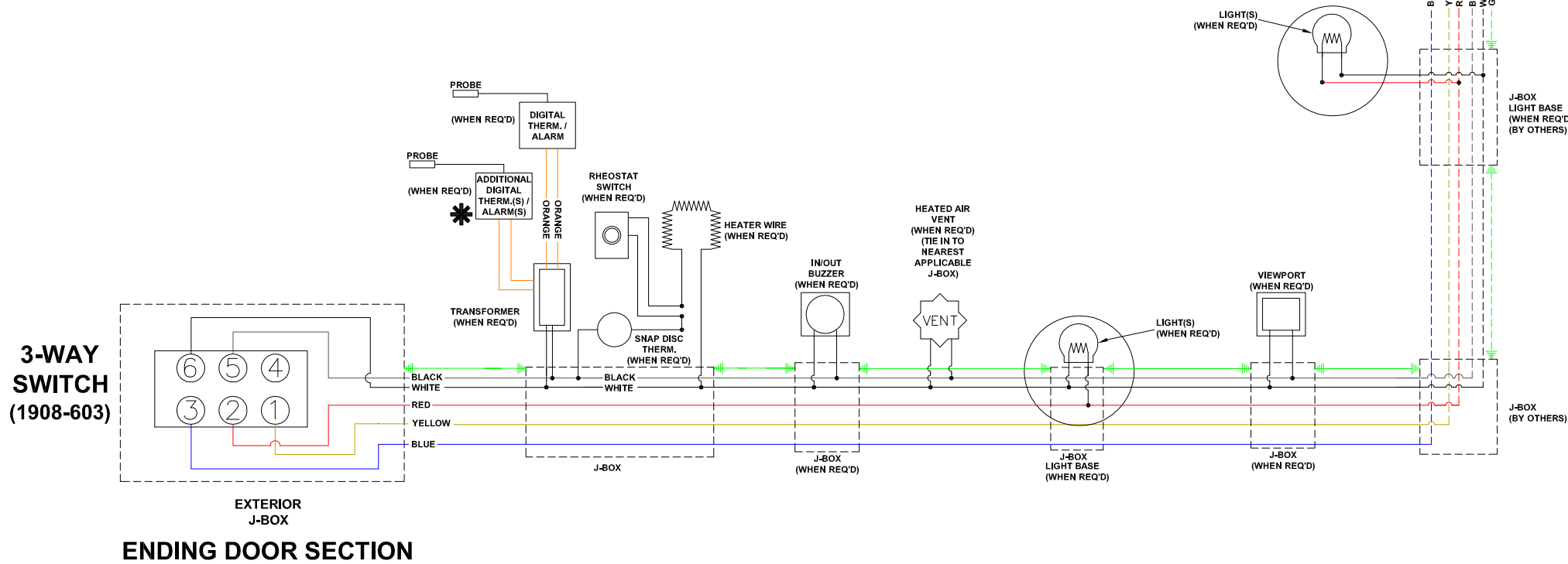
DATE	REVISION RECORD	AUTH	DR	CK	SCALE: NONE	DEALER:	DRAWN BY: SCG
					DATE: 4/24/2014		REVISED
							ORDER No.
							DRAWING NUMBER
							500000902



PARSONS TENNESSEE



**NOTE: MAIN DOOR SECTION HAS MAIN POWER. ENDING DOOR SECTION GET POWER FROM MAIN DOOR SECTION.**

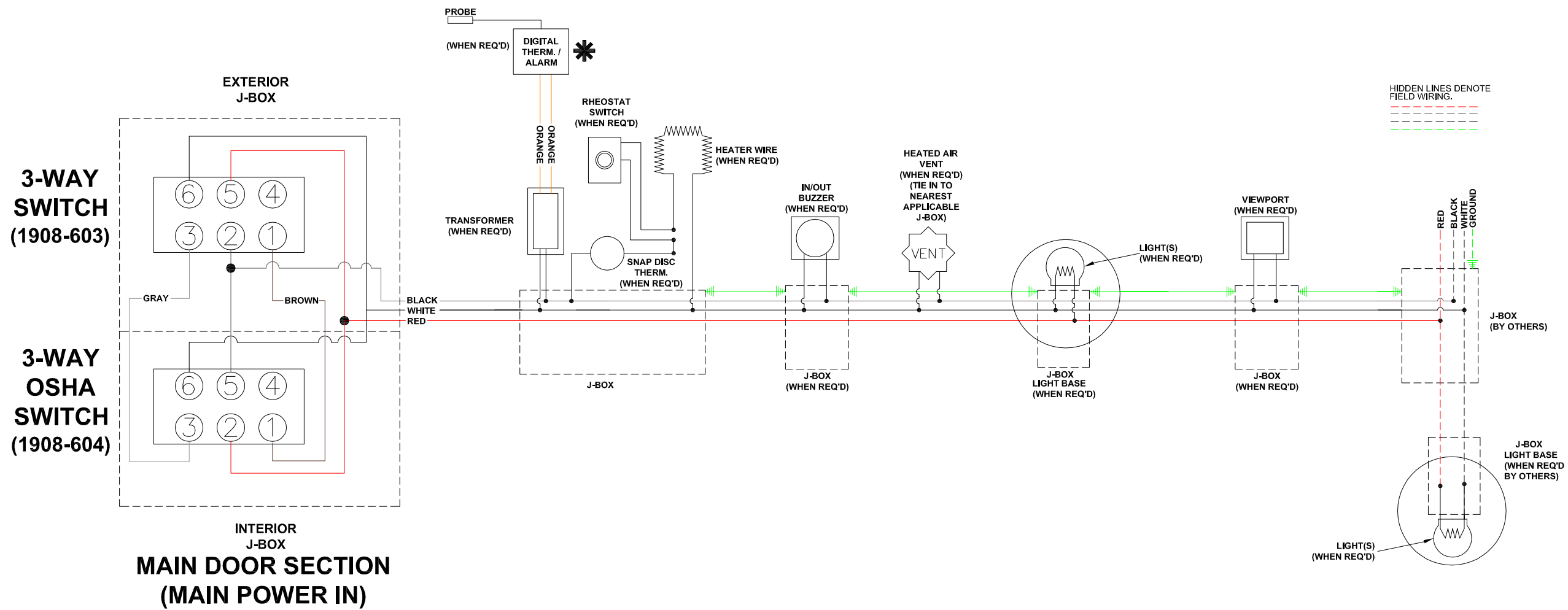
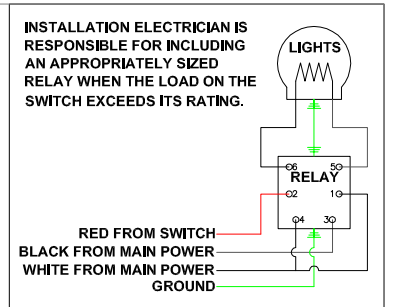


- \* TO BE PLACED IN ADDITIONAL J-BOX.
- \* ALL ALARMS EXCEPT: MODULARM 75 LC AND WEISS ALARMPAK (SEE SEPARATE DIAGRAM)

DATE	REVISION RECORD	AUTH	DR	CK

**WIRING DIAGRAM, 3-WAY SWITCH W/ "NIGHTLIGHT"**

SCALE: NONE	DEALER:	DRAWN BY: SCG
DATE: 4/24/2014		REVISED
		ORDER No.
		DRAWING NUMBER <b>500000903</b>



\* ALL ALARMS EXCEPT:  
MODULARM 75 LC AND WEISS ALARMPAK  
(SEE SEPARATE DIAGRAM)

DATE	REVISION RECORD	AUTH	DR	CK	SCALE: NONE	DEALER:	DRAWN BY: SCG
					DATE: 4/25/2014		REVISED
							ORDER No.
							DRAWING NUMBER

**WIRING DIAGRAM, 3-WAY OSHA SWITCH**

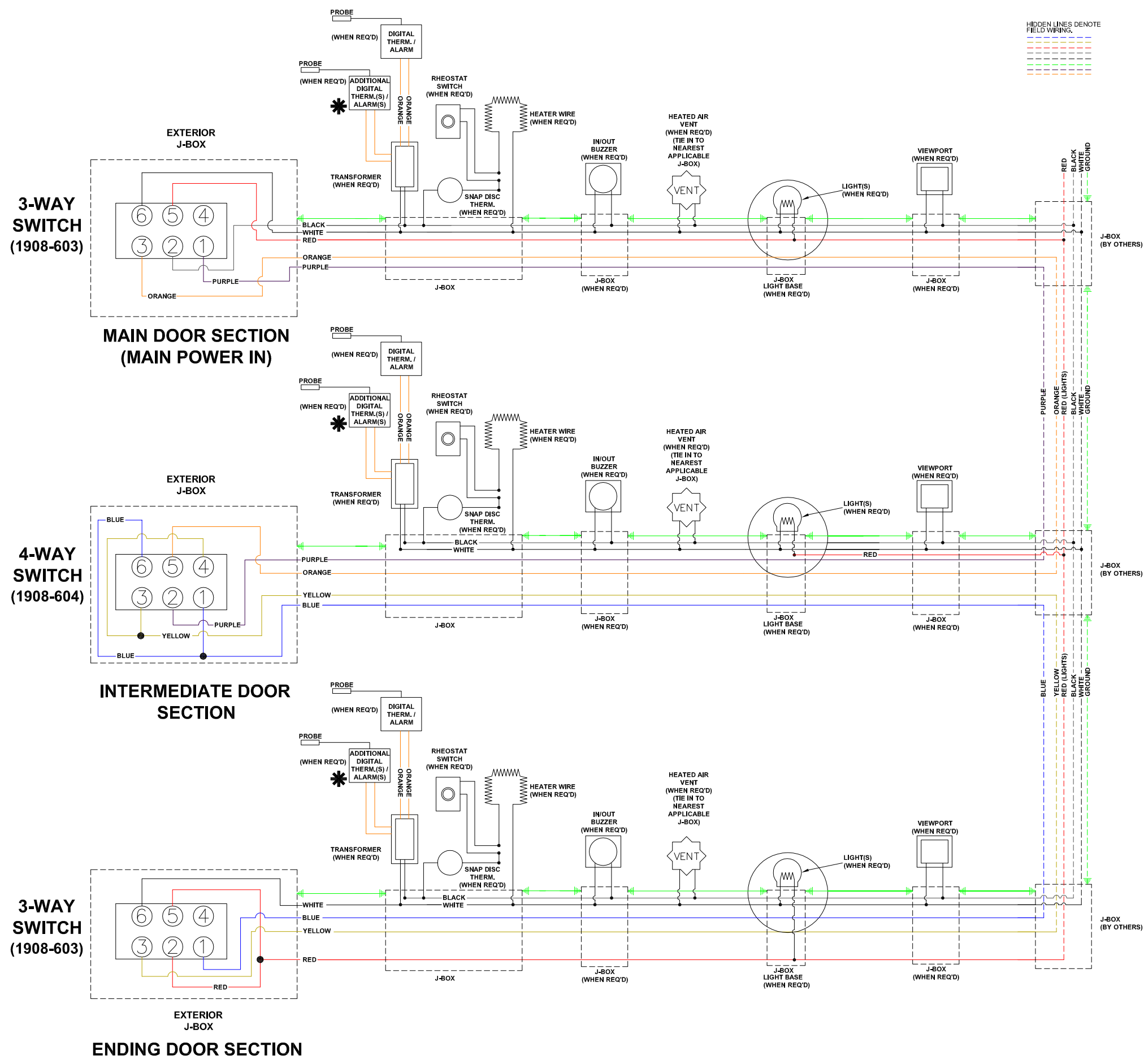
**WELBILT**  
Bringing innovation to the table

PARSONS TENNESSEE

500000904

INSTALLATION ELECTRICIAN IS RESPONSIBLE FOR INCLUDING AN APPROPRIATELY SIZED RELAY WHEN THE LOAD ON THE SWITCH EXCEEDS ITS RATING.

RED FROM SWITCH  
BLACK FROM MAIN POWER  
WHITE FROM MAIN POWER  
GROUND



**NOTE: MAIN DOOR SECTION HAS MAIN POWER. ALL ADDITIONAL DOOR SECTIONS GET POWER FROM PRECEDING DOOR SECTION IN SEQUENCE BEGINNING WITH MAIN DOOR SECTION.**

- \* TO BE PLACED IN ADDITIONAL J-BOX.
- \* ALL ALARMS EXCEPT:  
MODULARM 75 LC AND WEISS ALARMPAK  
(SEE SEPARATE DIAGRAM)

DATE	REVISION RECORD	AUTH	DR	CK	SCALE: NONE	DEALER:	DRAWN BY: SCG
					DATE: 4/25/2014		REVISED
							ORDER No.
							DRAWING NUMBER
							500000905

**WIRING DIAGRAM, 3-WAY / 4-WAY / 3-WAY SWITCH**

**WELBILT**  
*Bringing innovation to the table*

PARSONS TENNESSEE



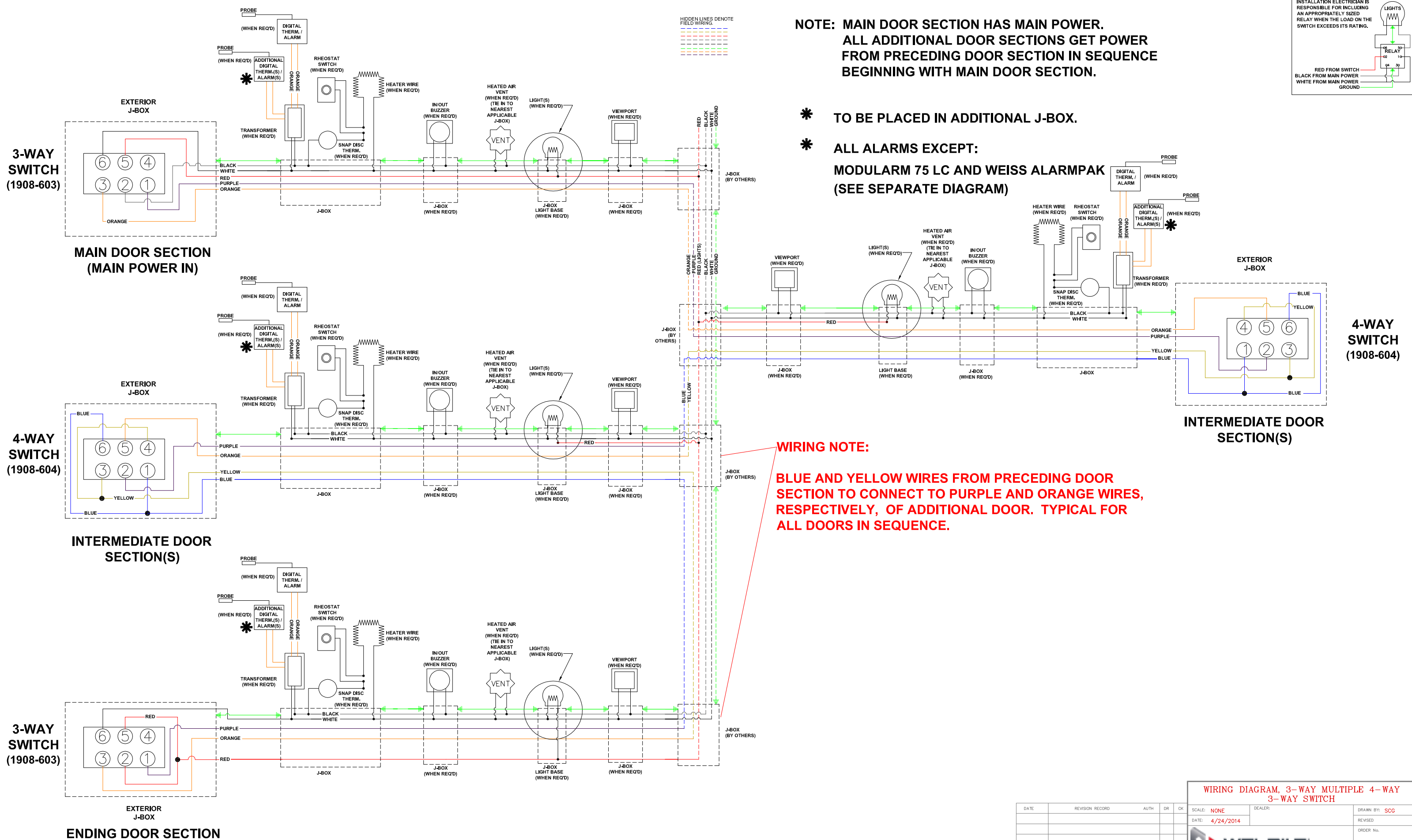
INSTALLATION ELECTRICIAN IS RESPONSIBLE FOR INCLUDING AN APPROPRIATELY SIZED RELAY WHEN THE LOAD ON THE SWITCH EXCEEDS ITS RATING.

**NOTE: MAIN DOOR SECTION HAS MAIN POWER. ALL ADDITIONAL DOOR SECTIONS GET POWER FROM PRECEDING DOOR SECTION IN SEQUENCE BEGINNING WITH MAIN DOOR SECTION.**

\* TO BE PLACED IN ADDITIONAL J-BOX.

\* ALL ALARMS EXCEPT: MODULARM 75 LC AND WEISS ALARMPAK (SEE SEPARATE DIAGRAM)

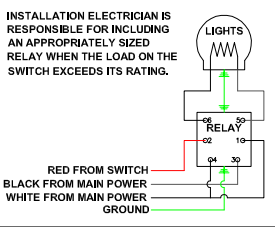
**WIRING NOTE:**  
**BLUE AND YELLOW WIRES FROM PRECEDING DOOR SECTION TO CONNECT TO PURPLE AND ORANGE WIRES, RESPECTIVELY, OF ADDITIONAL DOOR. TYPICAL FOR ALL DOORS IN SEQUENCE.**



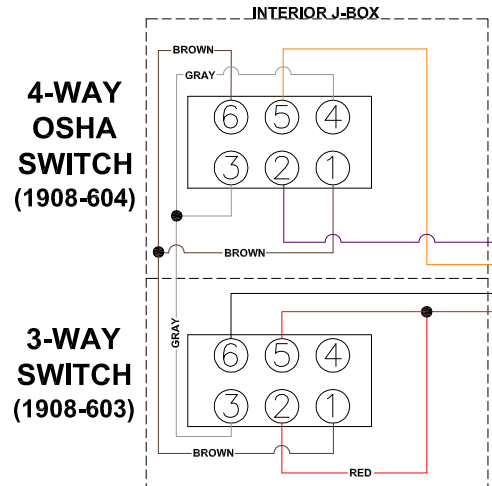
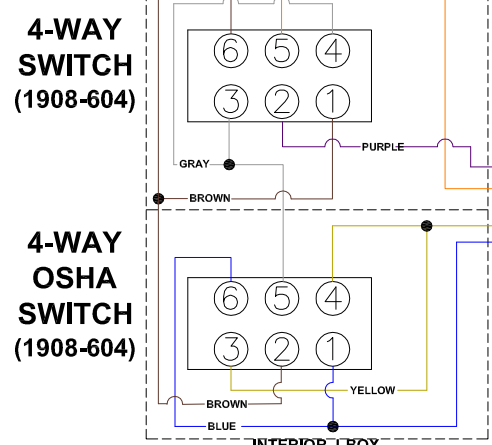
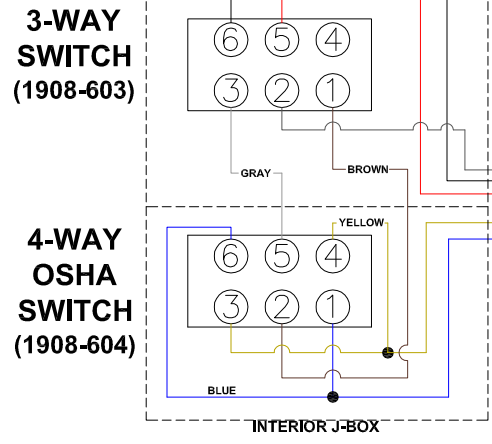
DATE	REVISION RECORD	AUTH	DR	OK	SCALE: NONE	DEALER:	DRAWN BY: SCG
					DATE: 4/24/2014		REVISED:
							ORDER No.
							DRAWING NUMBER
							500000906

**WIRING DIAGRAM, 3-WAY MULTIPLE 4-WAY 3-WAY SWITCH**





**MAIN DOOR SECTION  
(MAIN POWER IN)**



HIDDEN LINES DENOTE FIELD WIRING.

**NOTE: MAIN DOOR SECTION HAS MAIN POWER.  
ALL ADDITIONAL DOOR SECTIONS GET POWER  
FROM PRECEDING DOOR SECTION IN SEQUENCE  
BEGINNING WITH MAIN DOOR SECTION.**

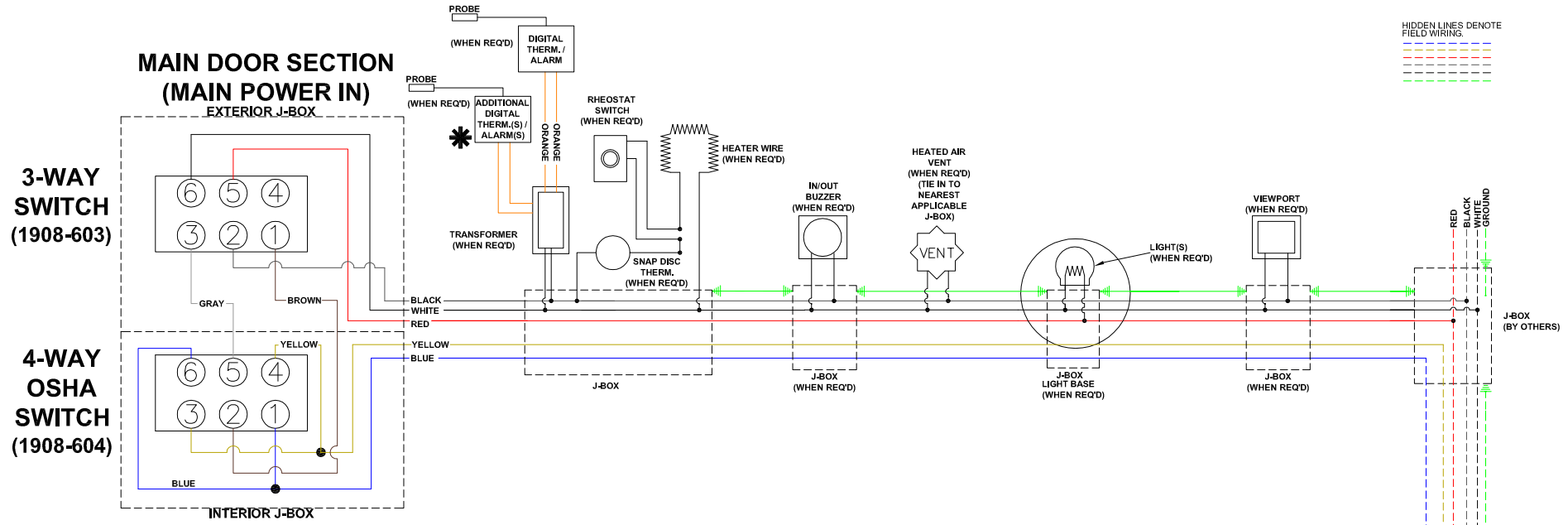
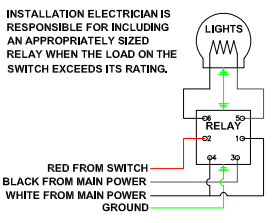
**WIRING NOTE:**  
**BLUE AND YELLOW WIRES FROM PRECEDING DOOR  
SECTION TO CONNECT TO PURPLE AND ORANGE WIRES,  
RESPECTIVELY, OF ADDITIONAL DOOR. TYPICAL FOR  
ALL DOORS IN SEQUENCE.**

- \* TO BE PLACED IN ADDITIONAL J-BOX.
- \* ALL ALARMS EXCEPT:  
MODULARM 75 LC AND WEISS ALARMPAK  
(SEE SEPARATE DIAGRAM)

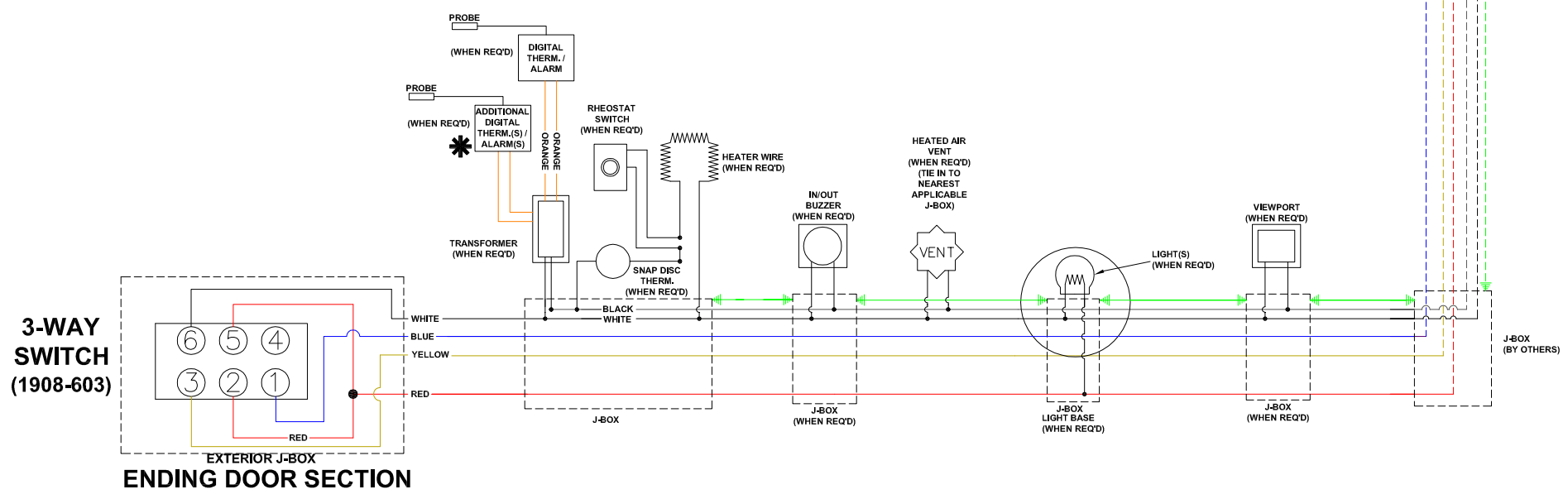
**WIRING DIAGRAM, 3-WAY / 4-WAY OSHA SWITCH**

DATE	REVISION RECORD	AUTH	DR	CK	SCALE: NONE	DEALER:	DRAWN BY: SCG
							REVISED
							ORDER No.
							DRAWING NUMBER
							500000907





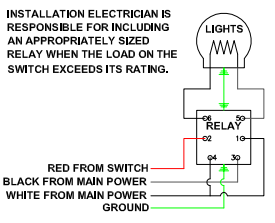
**NOTE: MAIN DOOR SECTION HAS MAIN POWER. ALL ADDITIONAL DOOR SECTIONS GET POWER FROM PRECEDING DOOR SECTION IN SEQUENCE BEGINNING WITH MAIN DOOR SECTION.**



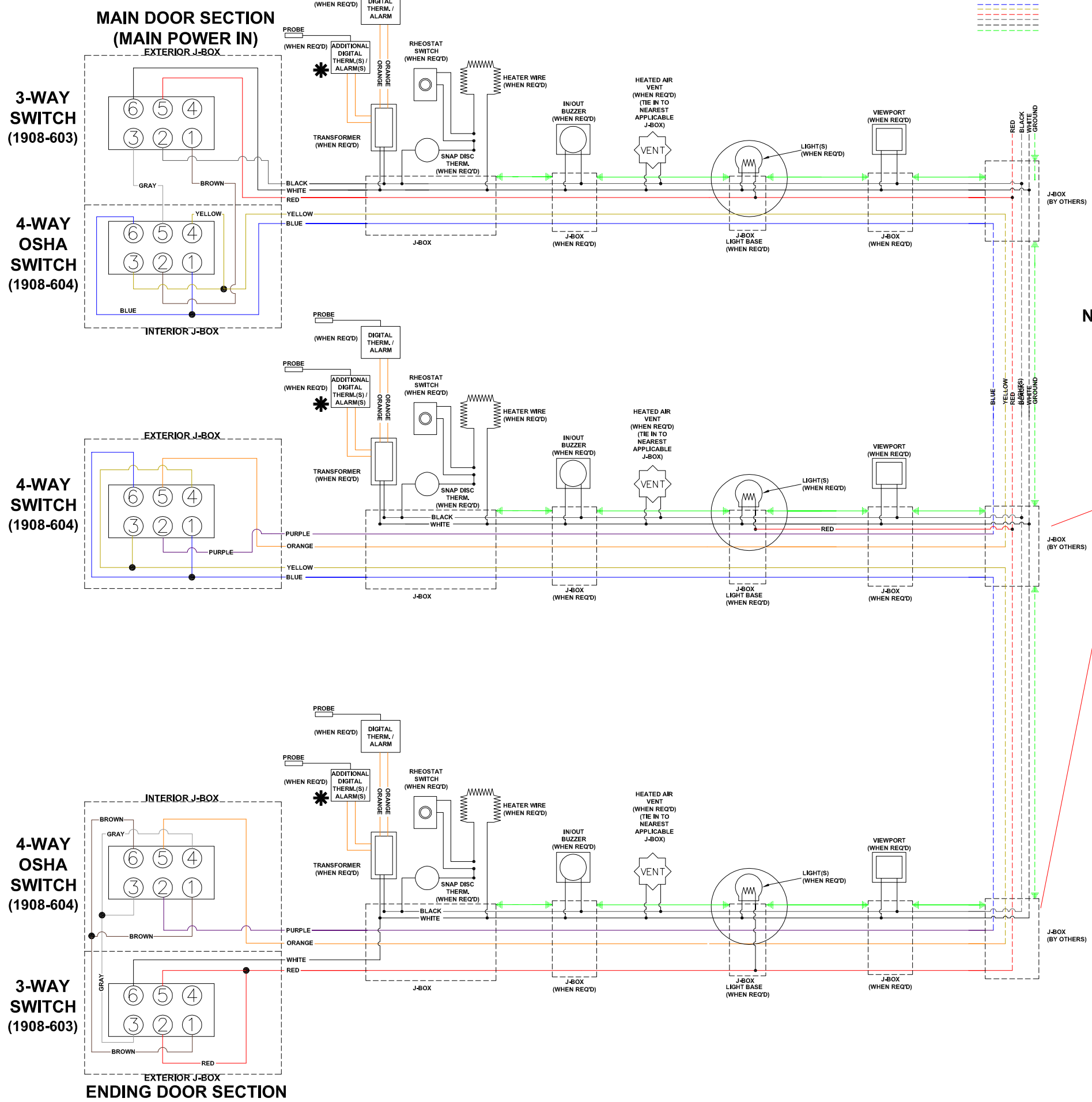
- \* TO BE PLACED IN ADDITIONAL J-BOX.
- \* ALL ALARMS EXCEPT:  
MODULARM 75 LC AND WEISS ALARMPAK  
(SEE SEPARATE DIAGRAM)

DATE	REVISION RECORD	AUTH	DR	CK	SCALE: NONE	DEALER:	DRAWN BY: TM
					DATE: 4/24/2014		REVISED
							ORDER No.
							DRAWING NUMBER
							500000912

**WIRING DIAGRAM, 3-WAY / 4-WAY OSHA SWITCH WITH 3-WAY PARTITION DOOR**



INSTALLATION ELECTRICIAN IS RESPONSIBLE FOR INCLUDING AN APPROPRIATELY SIZED RELAY WHEN THE LOAD ON THE SWITCH EXCEEDS ITS RATING.



**NOTE: MAIN DOOR SECTION HAS MAIN POWER. ALL ADDITIONAL DOOR SECTIONS GET POWER FROM PRECEDING DOOR SECTION IN SEQUENCE BEGINNING WITH MAIN DOOR SECTION.**

**WIRING NOTE:**  
**BLUE AND YELLOW WIRES FROM PRECEDING DOOR SECTION TO CONNECT TO PURPLE AND ORANGE WIRES, RESPECTIVELY, OF ADDITIONAL DOOR. TYPICAL FOR ALL DOORS IN SEQUENCE.**

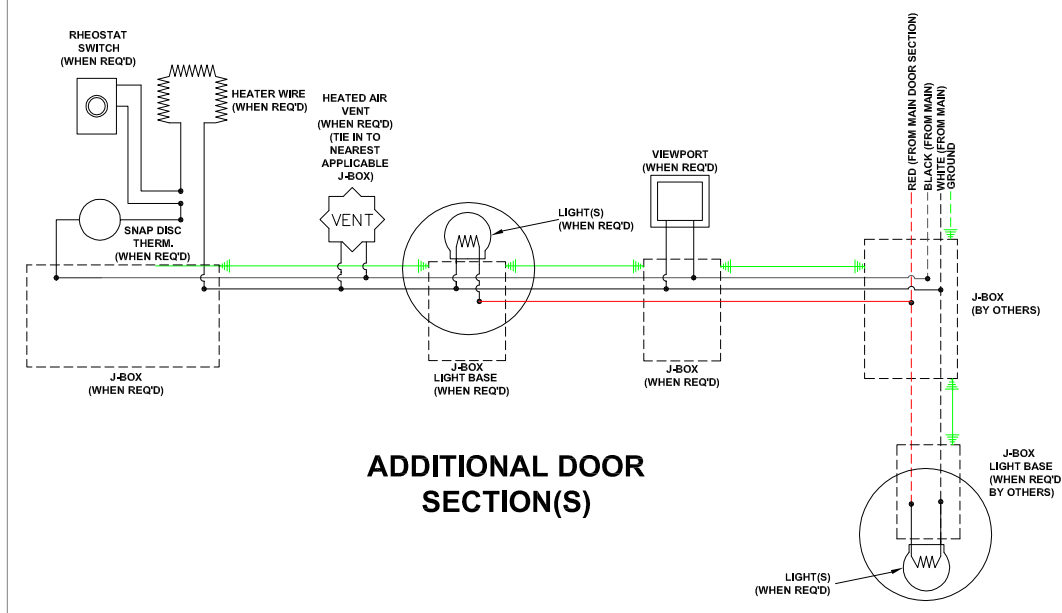
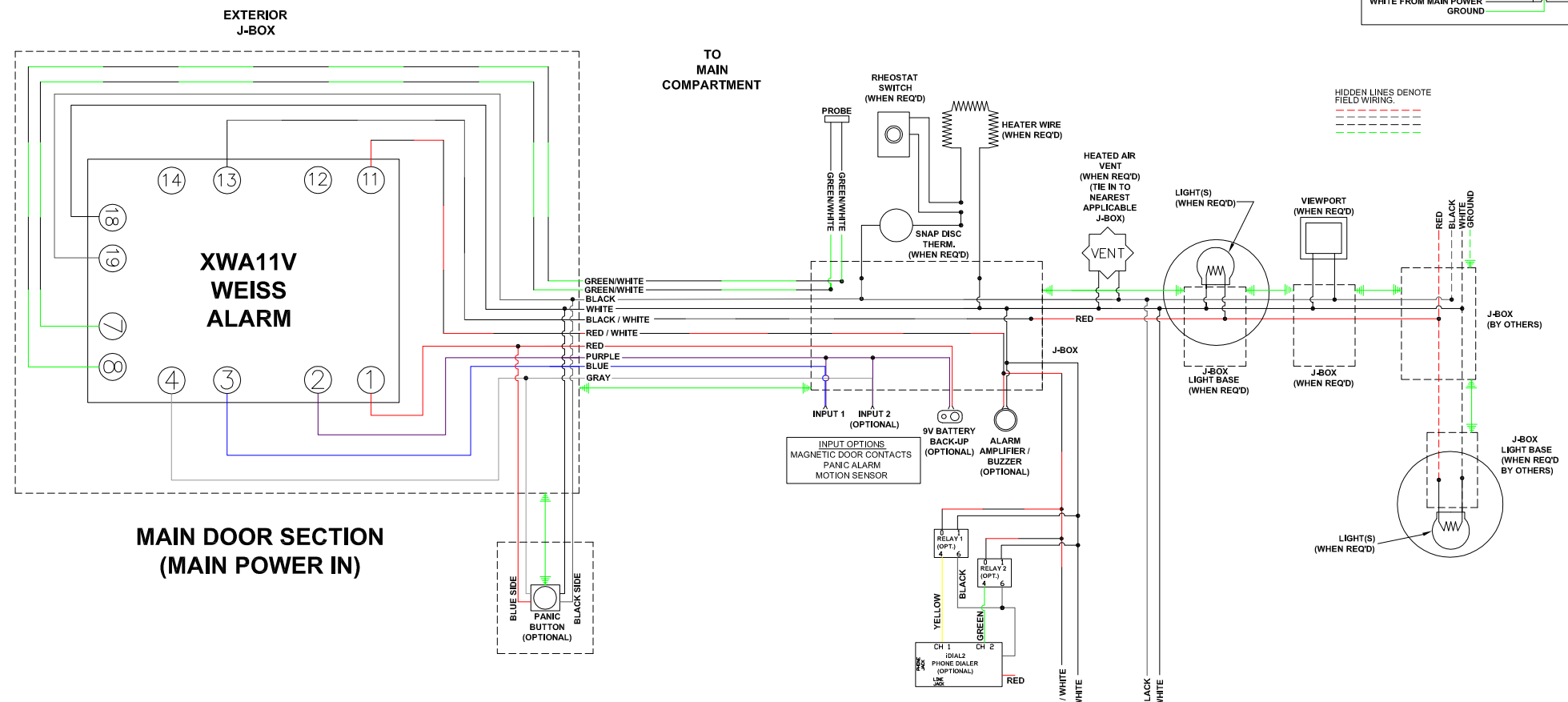
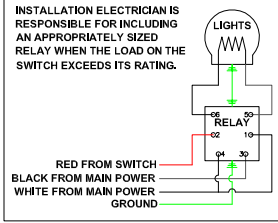
- \* TO BE PLACED IN ADDITIONAL J-BOX.
- \* ALL ALARMS EXCEPT:  
**MODULARM 75 LC AND WEISS ALARMPAK (SEE SEPARATE DIAGRAM)**

**WIRING DIAGRAM, 3-WAY / 4-WAY OSHA SWITCH WITH 4-WAY PARTITION DOOR**

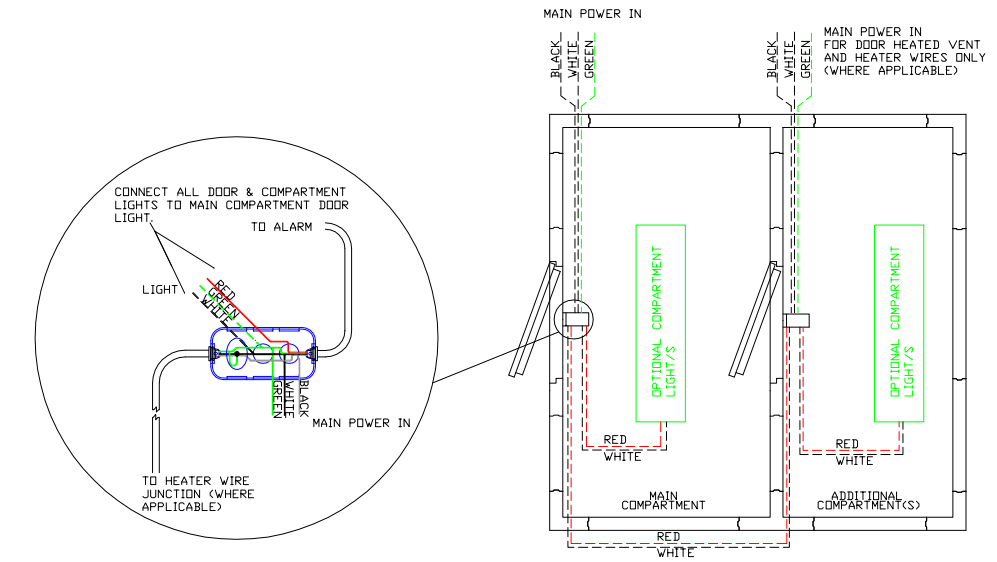
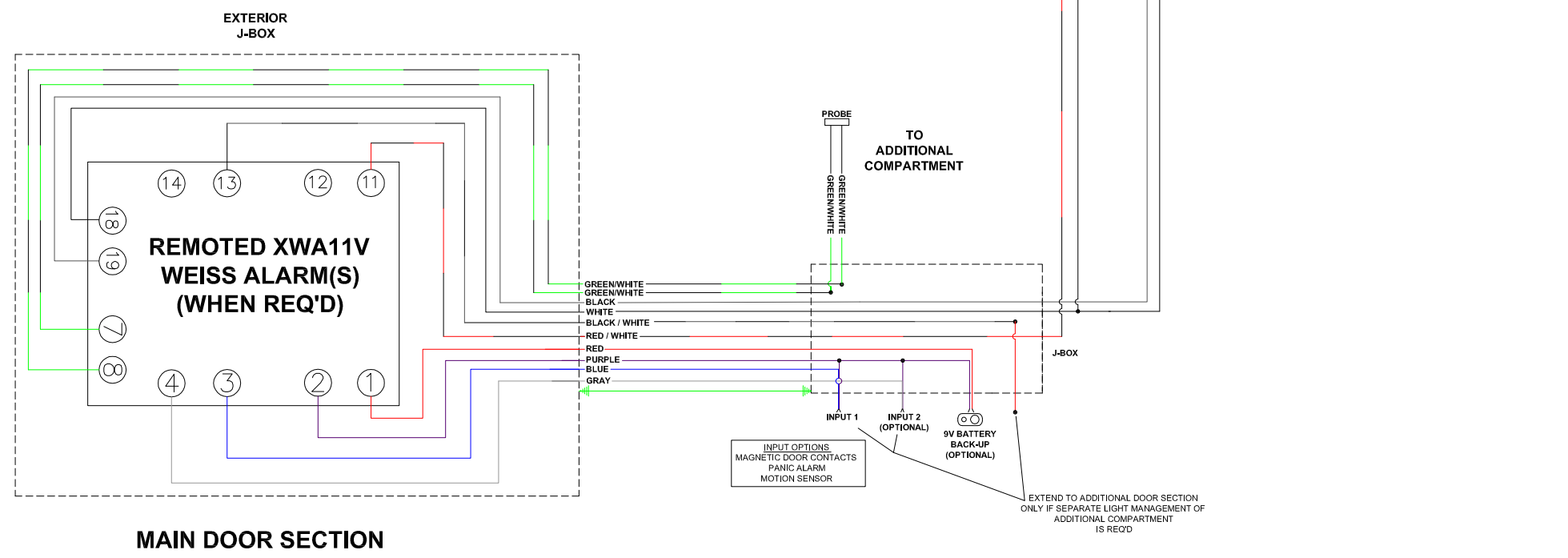
DATE	REVISION RECORD	AUTH	DR	CK	SCALE: NONE	DEALER:	DRAWN BY: TM
					DATE: 4/24/2014		REVISED:
							ORDER No.
							DRAWING NUMBER
							<b>500000913</b>



**NOTE: LIGHT MANAGEMENT FOR ALL COMPARTMENTS CONTROLLED BY PRIMARY ALARM ONLY.**



DETAIL SHOWS EXAMPLE OF LIGHT CONNECTIONS FOR REMOTED ALARMS. MAIN DOOR HAS ALARM FOR MAIN COMPARTMENT AND ALARM REMOTED FROM ADDITIONAL COMPARTMENT. LIGHT MANAGEMENT IS CONTROLLED BY THE MAIN DOOR ONLY. DOOR LIGHT ON REMOTED ALARM DOOR TO BE WIRED TO MAIN DOOR LIGHT CIRCUIT.

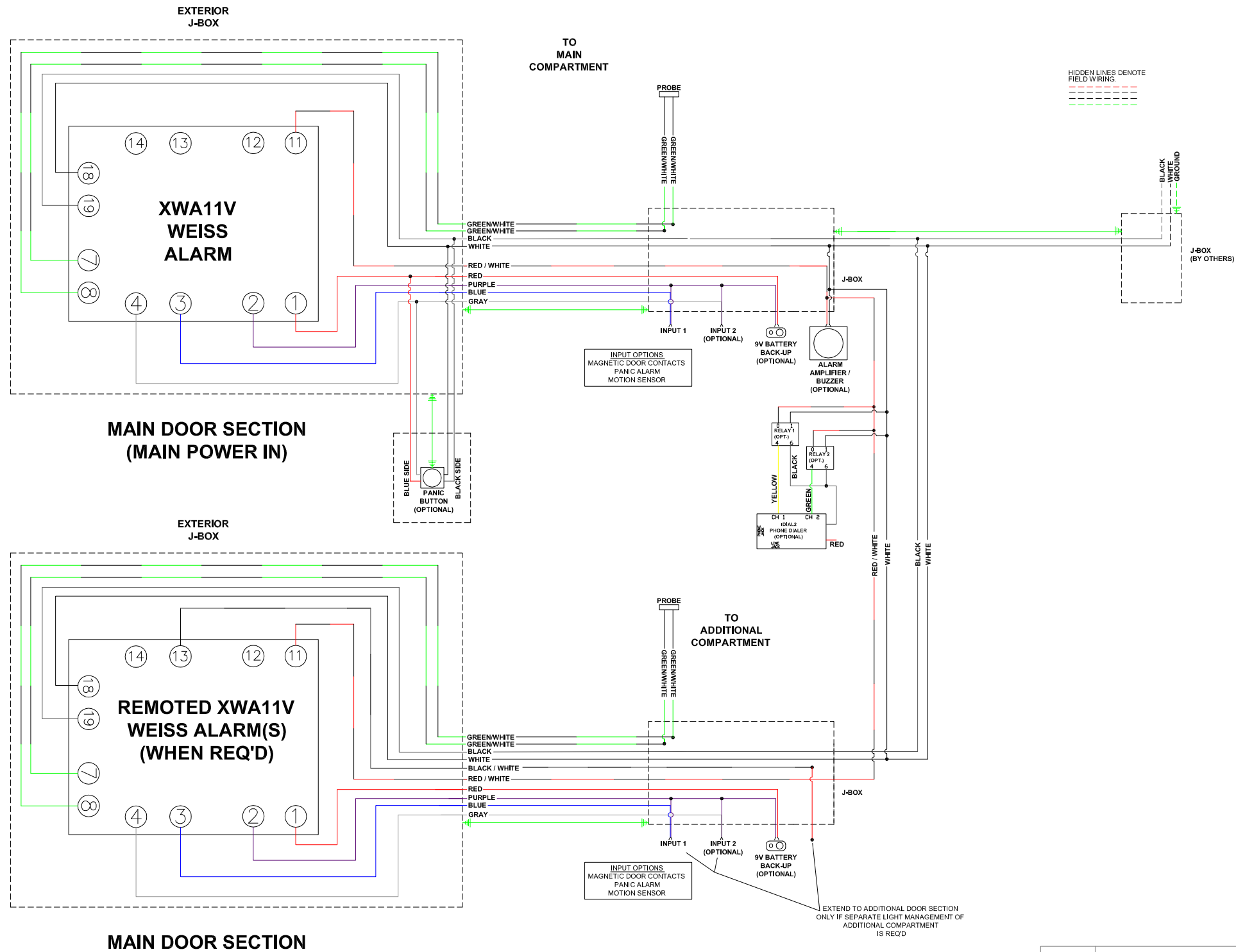


**WIRING DIAGRAM, WEISS ALARM**

DATE	REVISION RECORD	AUTH	DR	CK	SCALE: NONE	DEALER:	DRAWN BY: SCG
					DATE: 4/25/2014		REVISED
							ORDER No.
							DRAWING NUMBER
							<b>500000908</b>



**NOTE: THIS DIAGRAM IS FOR THE ALARM PORTION ONLY. THE LIGHT MANAGEMENT IS CONTROLLED BY A SWITCH. DOOR ACCESSORIES ARE ON SWITCH WIRE HARNESS.**



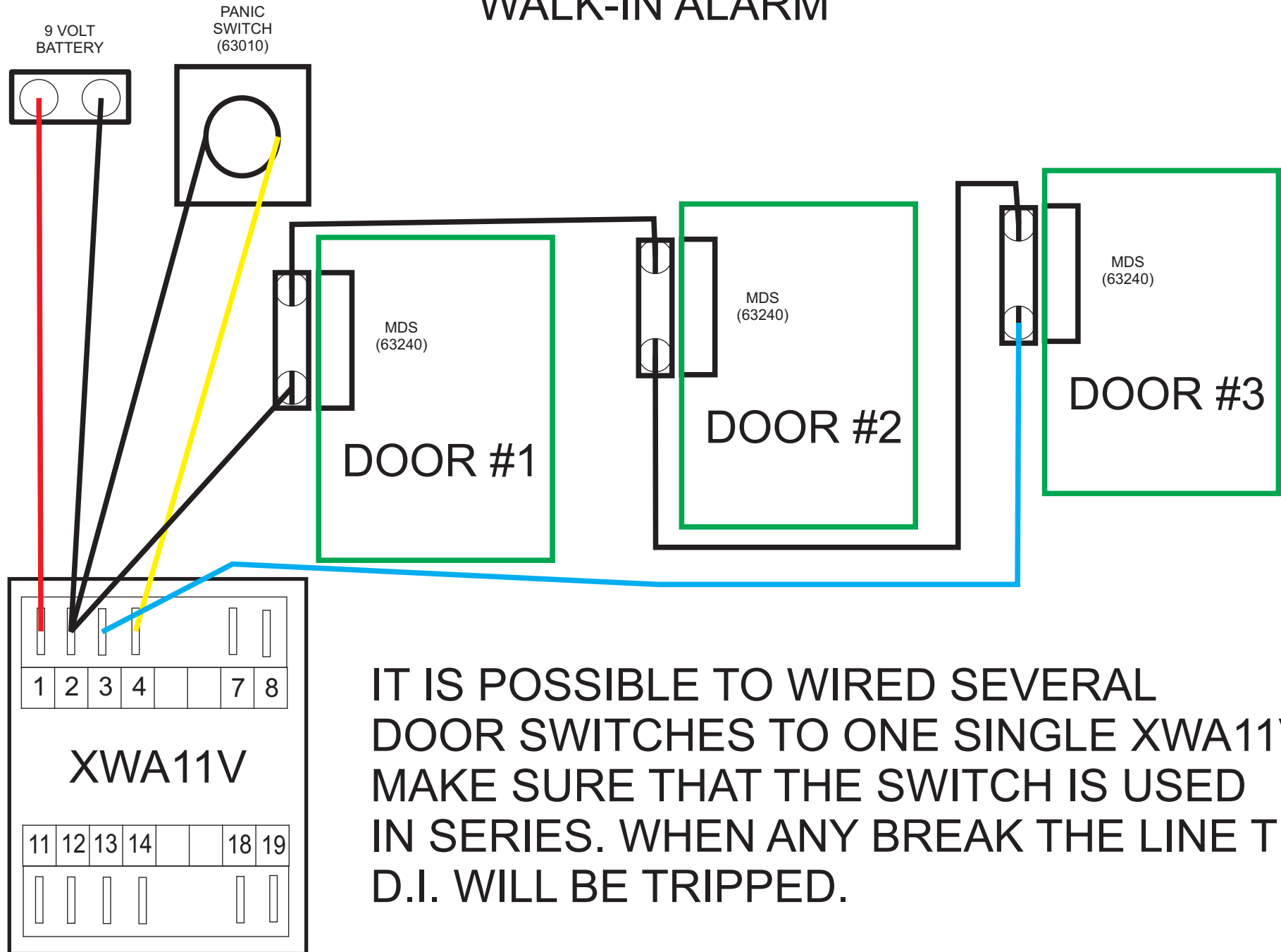
**WIRING DIAGRAM, WEISS ALARM WITHOUT LIGHT CONTROL**

DATE	REVISION RECORD	AUTH	DR	CK	SCALE: NONE	DEALER:	DRAWN BY: SCG
					DATE: 4/25/2014		REVISED
							ORDER No.
							DRAWING NUMBER
							<b>500000910</b>

**PARSONS TENNESSEE**

Bringing innovation to the table

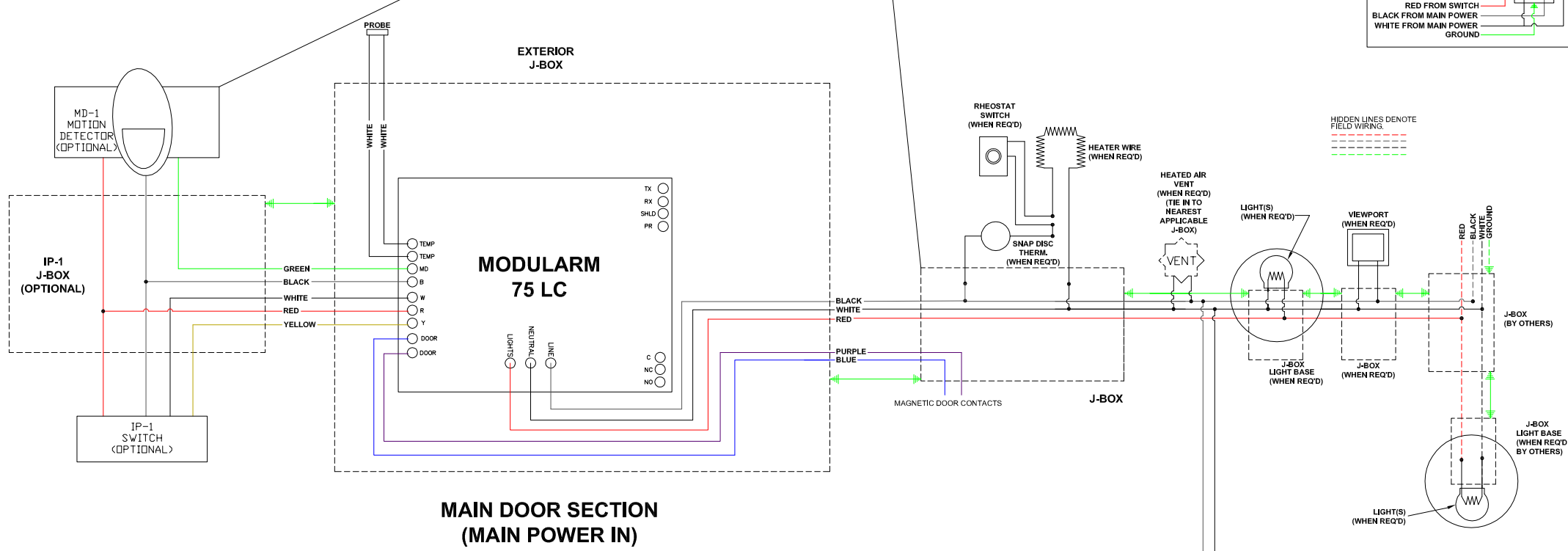
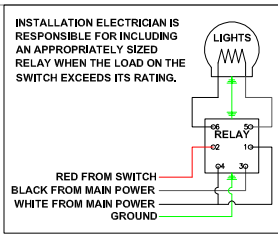
# WIRING MULTIPLE DOOR SWITCHES TO THE XWA11V WALK-IN ALARM



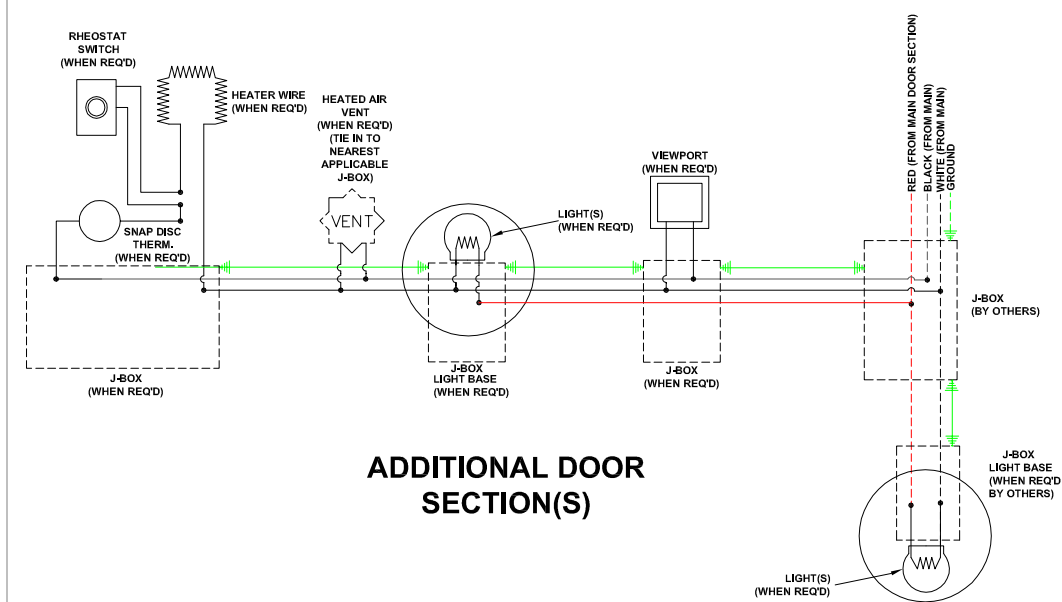
IT IS POSSIBLE TO WIRED SEVERAL DOOR SWITCHES TO ONE SINGLE XWA11V. MAKE SURE THAT THE SWITCH IS USED IN SERIES. WHEN ANY BREAK THE LINE THE D.I. WILL BE TRIPPED.

**NOTE: LIGHT MANAGEMENT FOR ALL COMPARTMENTS CONTROLLED BY PRIMARY ALARM ONLY.**

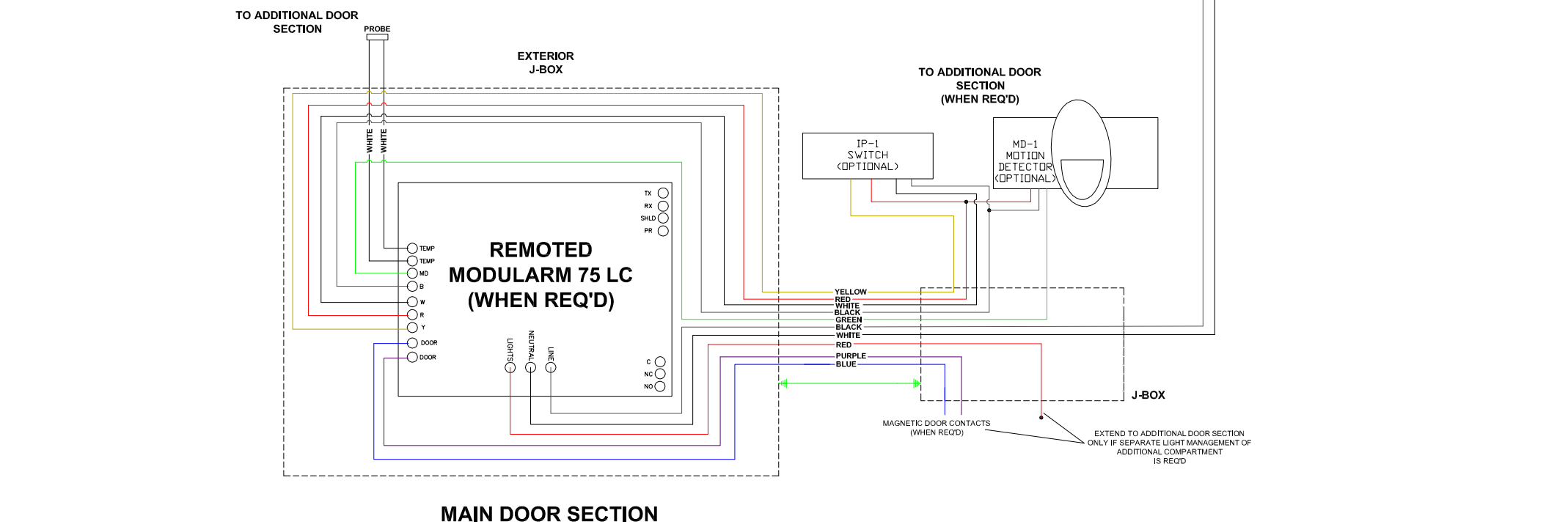
**NOTE: IF MOTION DETECTOR IS USED WITHOUT IP-1 SWITCH, PLACE IN DOOR CONTACT J-BOX.**



**MAIN DOOR SECTION (MAIN POWER IN)**

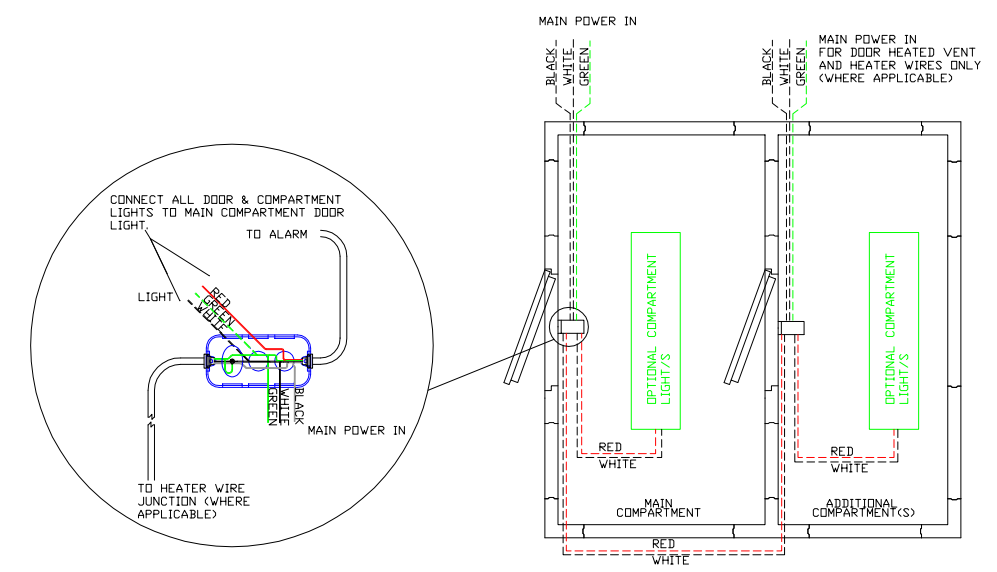


**ADDITIONAL DOOR SECTION(S)**



**MAIN DOOR SECTION**

DETAIL SHOWS EXAMPLE OF LIGHT CONNECTIONS FOR REMOTED ALARMS. MAIN DOOR HAS ALARM FOR MAIN COMPARTMENT AND ALARM REMOTED FROM ADDITIONAL COMPARTMENT. LIGHT MANAGEMENT IS CONTROLLED BY THE MAIN DOOR ONLY. DOOR LIGHT ON REMOTED ALARM DOOR TO BE WIRED TO MAIN DOOR LIGHT CIRCUIT.



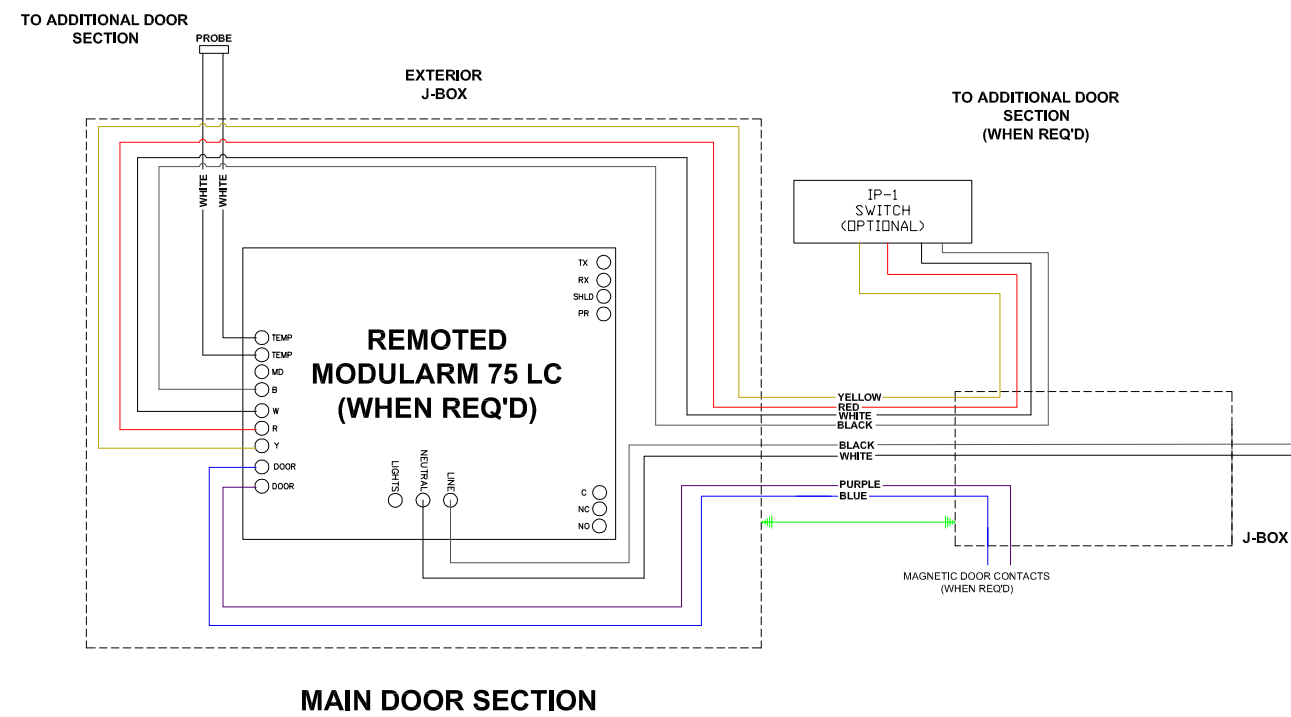
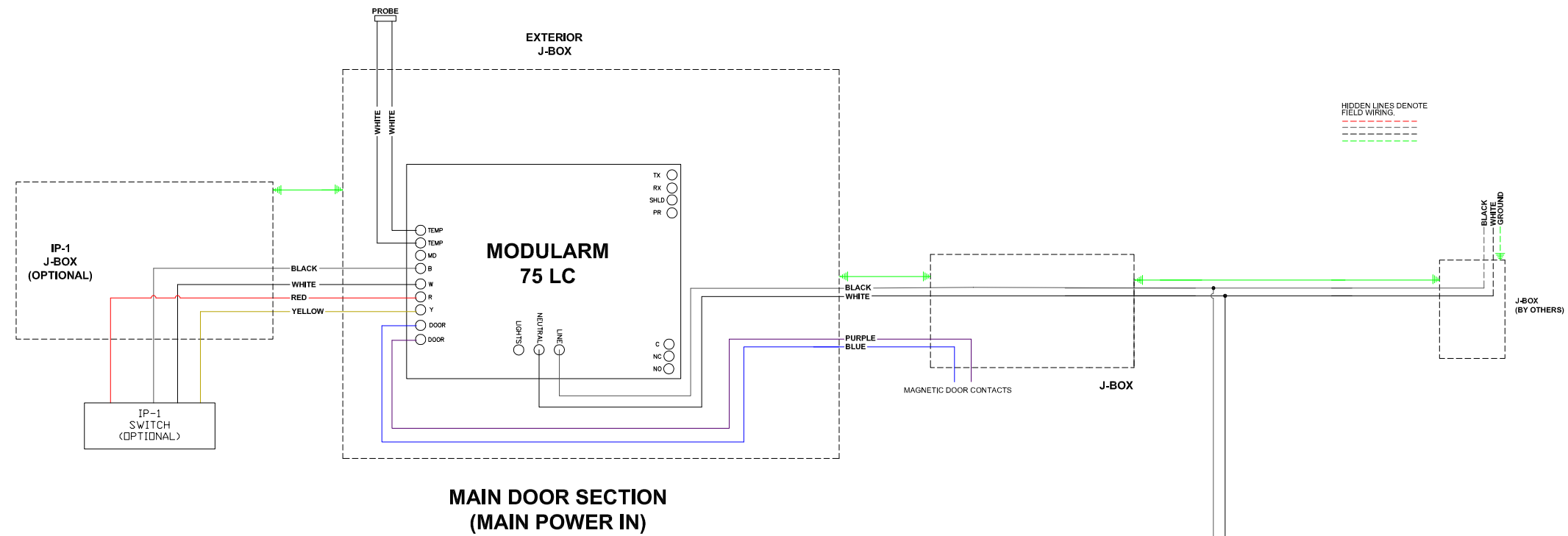
**WIRING DIAGRAM, MODULARM 75 LC ALARM**

DATE	REVISION RECORD	AUTH	DR	CK	SCALE: NONE	DEALER:	DRAWN BY: SCG
					DATE: 4/25/2014		REVISED
							ORDER No.
							DRAWING NUMBER
							500000909






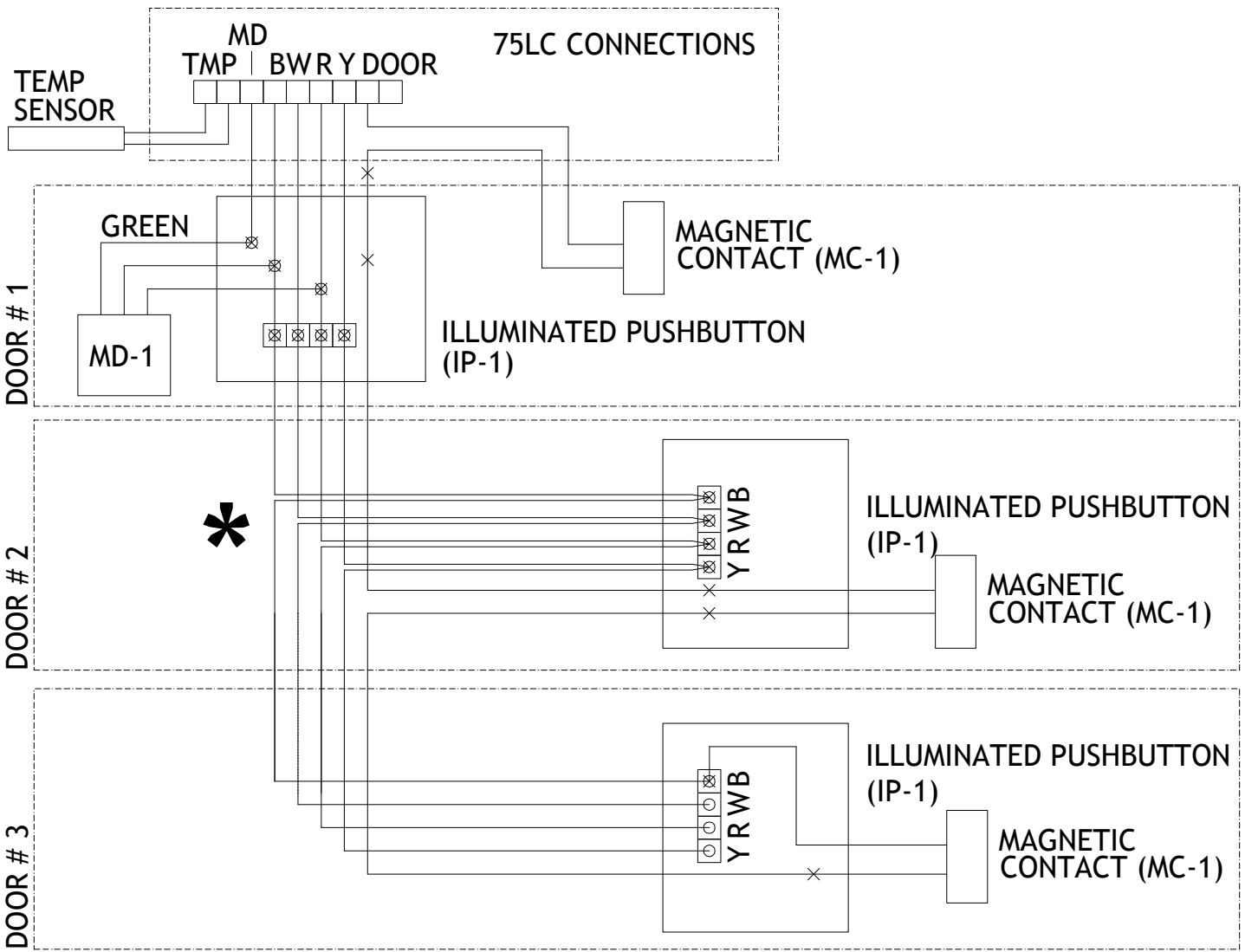
**NOTE: THIS DIAGRAM IS FOR THE ALARM PORTION ONLY. THE LIGHT MANAGEMENT IS CONTROLLED BY A SWITCH. DOOR ACCESSORIES ARE ON SWITCH WIRE HARNESS.**



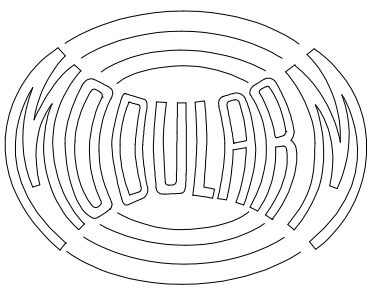
DATE	REVISION RECORD	AUTH	DR	CK

**WIRING DIAGRAM, MODULARM 75 LC ALARM WITHOUT LIGHT CONTROL**

SCALE: NONE	DEALER:	DRAWN BY: SCG
DATE: 4/25/2014		REVISED
		ORDER No.
 <b>PARSONS TENNESSEE</b>		DRAWING NUMBER <b>500000911</b>



OCT. 15, 2010



**WIRING DIAGRAM - 75LC WITH MULTIPLE IP-1'S AND MAGNETIC CONTACTS. MOTION DETECTOR (MD-1) ALSO SHOWN**

**FUNCTION: TO PROVIDE 3 AND 4 WAY LIGHT SWITCHING INSIDE OF COMPARTMENT, DOOR AJAR, AND AUTOMATIC LIGHTS-ON AT EACH DOOR.**

MODULARM CORP.  
 WWW.MODULARM.COM  
 INFO@MODULARM.COM

\*NOTE: ALL CONNECTIONS SHOWN ARE LOW VOLTAGE USING RECOMMENDED INTER-CONNECT WIRE: [22AWG, MULTI-CONDUCTOR, STRANDED] PROVIDE SEPARATE CONDUIT FOR LOW VOLTAGE WIRING. MC-1 CONTACTS CAN CONNECT INSIDE IP-1