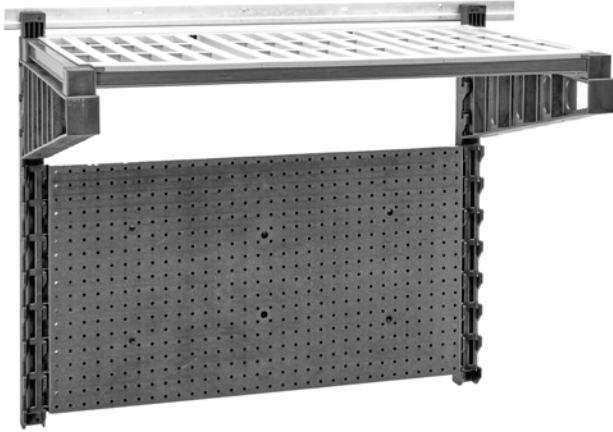


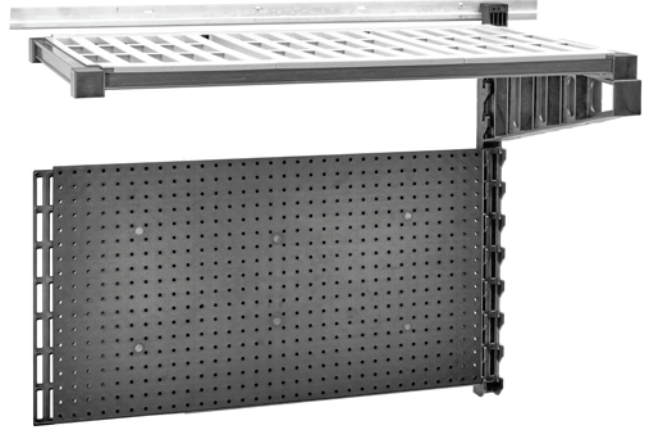
# Camshelving® Elevation Series Wall Shelving

## Installation Guide

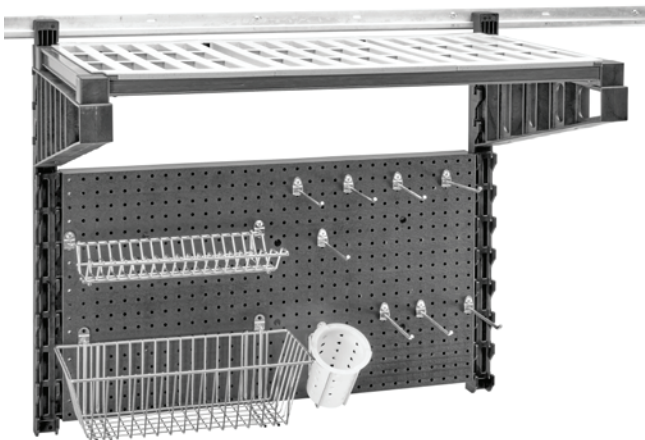
---



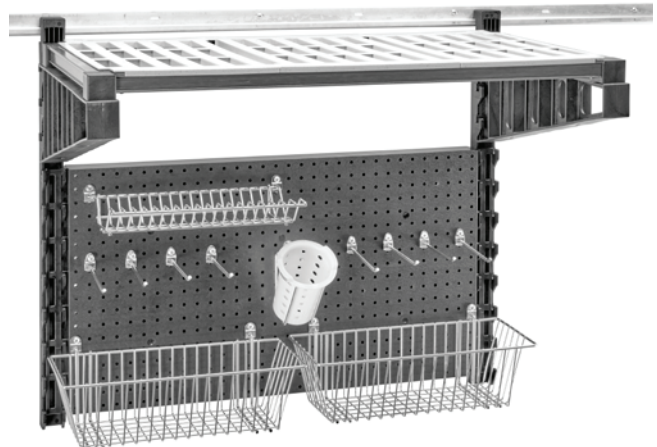
**Task Station Starter Kit**



**Task Station Add-On Kit**



**Sink Station Starter Kit**



**Prep Station Starter Kit**

(Sink and Prep Station Add-On Kits Available)

---

Videos/Guides  
in Multiple  
Languages



**CAMBRO®**

[www.cambro.com](http://www.cambro.com)



## CAUTION! PLEASE READ PRIOR TO INSTALLATION!

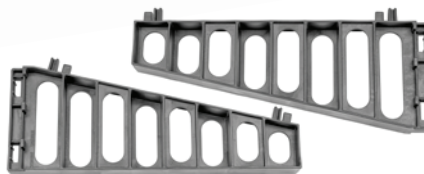


- To facilitate the installation of Cambro Elevation Wall Shelving System, properly secure it to an adjacent wall using a professional installation company or your company's qualified Maintenance or Engineering personnel to ensure adequate wall securement, adhere to proper load bearing requirements, and to avoid all utilities.
- Mounting of tracks, uprights, and wall mounted peg boards solely to drywall is NOT recommended.
- The first and last holes in a continuous length of wall track MUST BE installed into a wood stud or acceptable reinforcement (blocking) with appropriate hardware.
- If 12" (30 cm) or more of the track extends beyond a wood wall stud, the section of wall between the studs MUST BE appropriately blocked to provide the wall track with a secure surface to complete the installation.
- Appropriate hardware must be installed AT LEAST every 16" (40 cm) (on each stud) along the track.
- When installing uprights WITHOUT track, the first and last holes in each upright MUST be installed into a wood stud or appropriate reinforcement (blocking) with appropriate hardware.
- Wall tracks, uprights and wall mounted peg boards ARE NOT designed to replace additional structural support for walls. Installers should use discretion and properly reinforce walls before installing wall tracks, uprights, and wall mounted peg boards.
- HARDWARE NOT INCLUDED with wall shelving products.
- **NOTICE:** Regular inspections of product after installation is highly recommended. Tighten loose fasteners and replace damaged parts with new approved Cambro parts. All parts can be easily removed for cleaning and are commercial dishwasher safe.

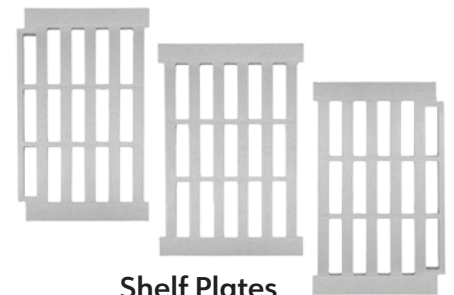
## Wall Shelving Components



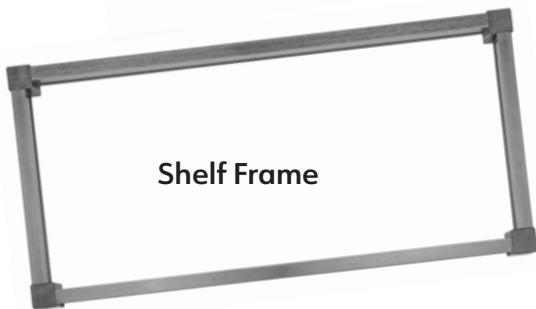
Wall Track



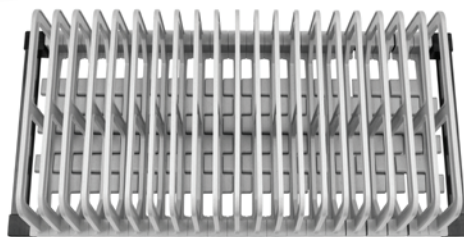
Shelf Bracket  
(straight and angled)



Shelf Plates  
(available in vented or solid)



Shelf Frame



Drying Rack Shelf



Hanging Pegboard



Wall Uprights



Wall-Mounted Pegboard



Shelf Rail Kits

## WEIGHT-BEARING CAPACITY\*

Station Kits, Custom Storage, Shelves & Pegboards	Weight-Bearing
All Station Kits or Single Custom Storage Section with Wall Track, Two Uprights, 2 Shelf Brackets and any Combination of Shelves, Pegboards and Accessories.	400 lbs. (181 kg) Per Kit/Section
All Add-On Station Kits or Shared Custom Storage Section with Wall Track, One Upright, One Shelf Bracket and Any Combination of Shelves, Pegboards and Accessories.	200 lbs. (90 kg) Per Kit/Section
Shelf Only, Single Kit with 2 Shelf Brackets	250 lbs. (113 kg) Per Shelf
Shelf Only, Add-On Kit with 1 Shelf Bracket	150 lbs. (68 kg) Per Shared Shelf
Pegboard (Hanging or Wall-Mounted)	100 lbs. (45 kg)

\*Weight bearing capacities based on following cautionary recommendations on prior page and installation by professional installation company or qualified maintenance/engineering personnel.

## How to Install WALL STORAGE PRODUCTS

### 1. Install WALL TRACK to the WALL

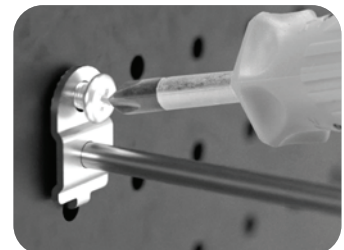
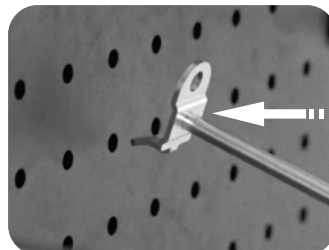
- Use a leveling device to ensure track is level and installed correctly on the wall.  
IMPORTANT: Pay strict attention to all CAUTION information.
- Install and secure into the wall using appropriate hardware.

### 2. Install WALL UPRIGHTS, SHELVES and HANGING PEGBOARD

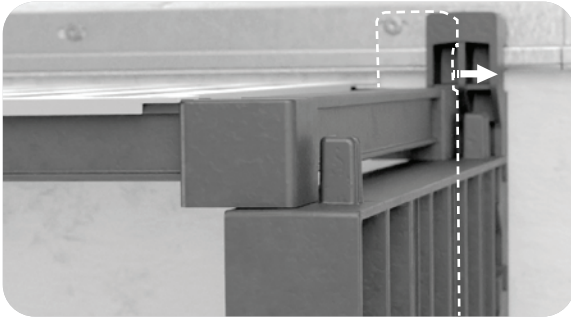
- Hang wall uprights from track.
- Attach shelf brackets.
- Install shelf frame on shelf brackets and attach pegboard to hooks on wall uprights.
- Secure uprights to wall as needed with appropriate hardware.
- Install shelf plates, optional shelf rails or other shelf accessories, and/or pegboard accessories.

### 3. Install PEGBOARD ACCESSORIES

- Determine best location for each.
- Use Phillips Head #2 Screwdriver to install screws as shown.



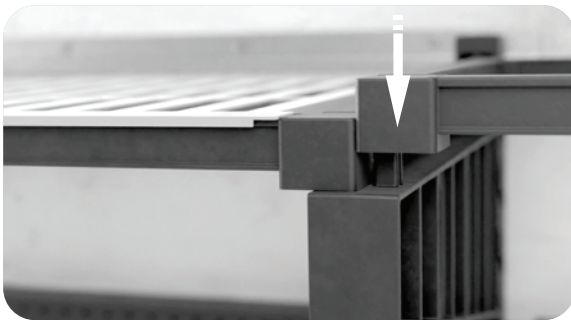
## How to Install Add-On Shelf Kit & Hanging Pegboard on Shared Wall Upright



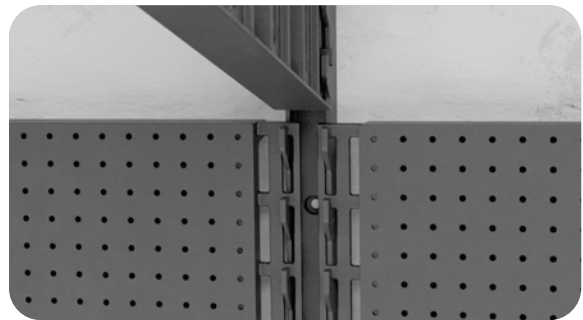
1. Slide wall upright over to the right. Lift shelf frame up and onto the shelf bracket pegs as shown.



2. Remove pegboard off hooks and re-install as shown.



3. Install add-on shelf frame onto the shared shelf bracket as shown.



4. Hang pegboard onto the hooks on the shared upright as shown and onto the outside upright.

## How to Install Wall Mounted Pegboard Between Uprights

1. Hold pegboard flat on wall centered between uprights.
2. Use level to ensure board is level and square before marking holes for screws.
3. Use pencil or drill bit to mark locations for the screws through the pegboard onto the wall.
4. Recommended screws required per pegboard length:
  - a. 24" - 36" (610-915 mm) - 1 in each corner and 1 in center.
  - b. 42" - 48" (1070 - 1220 mm) - 3 evenly spaced across top and bottom plus 4 in middle, triangle pattern.



5. Use power drill with 5/16" (0,8 cm) drill bit to make pilot holes.

NOTE: Not required if installing screws into wood wall stud.

6. Insert plastic wall anchors into pre-drilled holes.

7. Place screws thru pegboard holes. Add spacer in the back of each screw. Insert screw into each wall anchor or assigned hole location. Use #2 Phillips head screwdriver to install screws halfway. Then, tighten all screws until spacers are snug against wall surface. Do not overtighten. Review installation drawings and hardware included with each kit.



PATENT APPLIED FOR

# CAMBRO

CAMBRO U.S.A.  
TEL: 1(714) 848-1555  
FAX: 1(714) 230-4375

CAMBRO EUROPEAN LOGISTICS  
TEL: (49) 7022 90 100 0  
FAX: (49) 7022 90 100 19  
cambroeuropa@cambro.com

CAMBRO UK  
TEL: 0800 587 0057 Toll Free  
FAX: 0845 280 3411  
cambrouk@cambro.com

勤宝制造(惠州)有限公司  
电话: +86-0752-2885018  
传真: +86-0752-2885038  
cambrochina@cambro.com

UMEWS

www.cambro.com

© Copyright Cambro Manufacturing Company. Printed in the U.S.A.

D062420