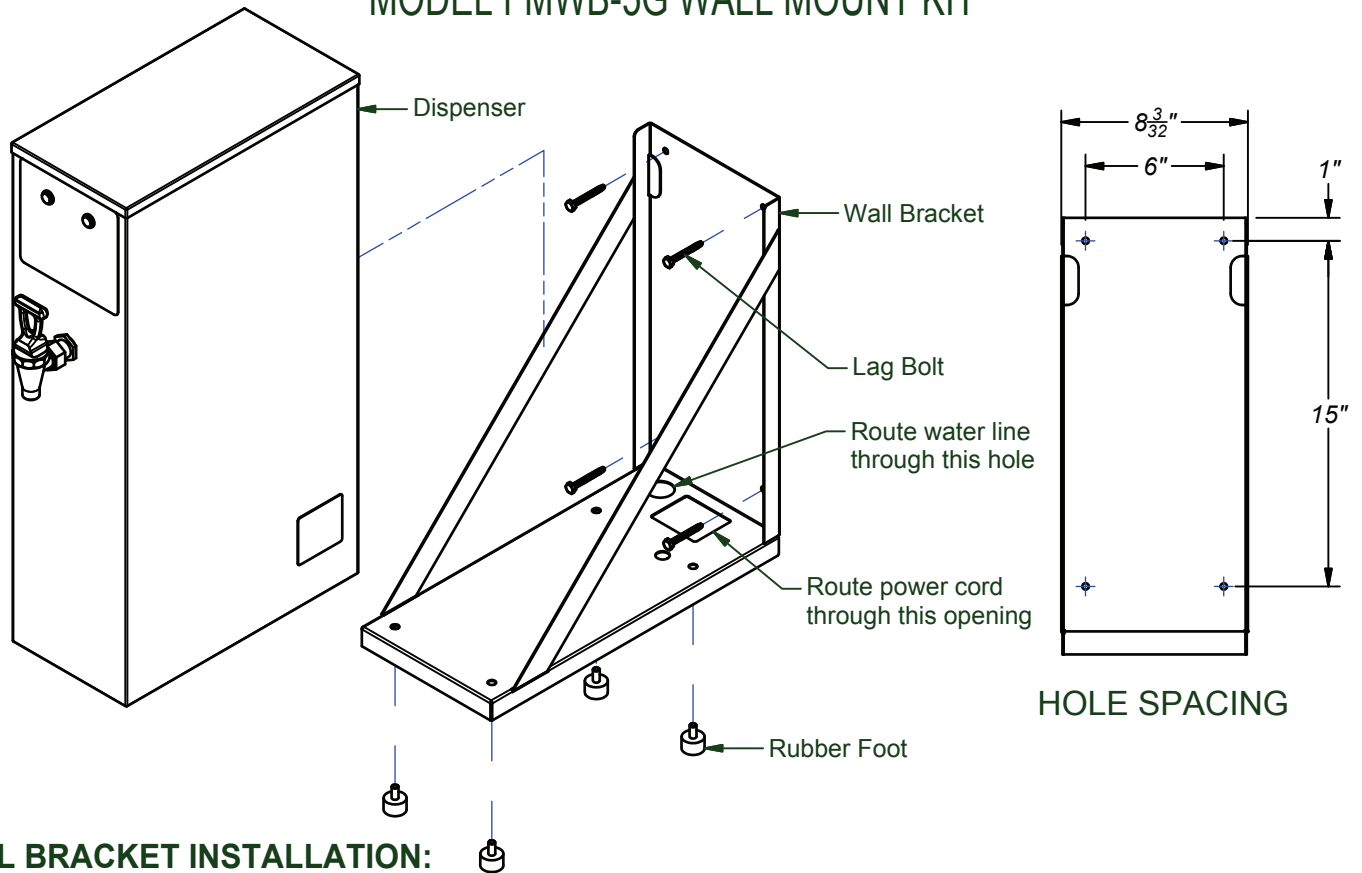


INSTALLATION INSTRUCTIONS

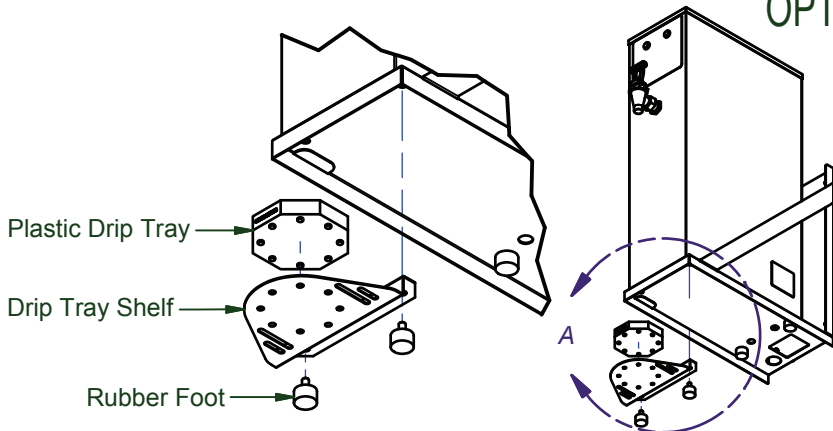
MODEL FMWB-5G WALL MOUNT KIT



WALL BRACKET INSTALLATION:

- 1) Mark hole locations on wall making sure one column of 2 holes are able to penetrate a wall stud.
Do not mount to drywall only. Bottom of dispenser should be at same height as counter.
- 2) Securely attach the bracket to a wall with the four qty. 1/4" x 2" lag bolts provided.
Bracket must be leveled to insure proper functionality.
- 3) Unscrew rubber feet from the bottom of the dispenser.
- 4) Place dispenser onto the bracket lining up the holes on the bottom.
- 5) Reinsert all four rubber feet into the dispenser and hand tighten them to secure the dispenser to the wall bracket.
- 6) Route dispenser power cord and plug through rectangular opening in bottom of bracket.
- 7) Install water line through round hole in bottom of bracket.
- 8) Refer to the dispenser owners manual for plumbing and electrical installation & start-up.

OPTIONAL MODEL WMBDT DRIP TRAY KIT



DRIP TRAY INSTALLATION:

- 1) Line up holes in drip tray shelf and hand tighten rubber feet to the bottom.
- 2) Place plastic drip tray into array of holes on top of tray shelf.